

	Series	Section Page	Max. Holding Capacity N [lb.f.]						Height Under Clamping Bar mm [inch]					Overall Height mm [inch]						
			0 to 1000 [0 to 225]	1000 to 2000 [225 to 450]	2000 to 3000 [450 to 675]	3000 to 5000 [675 to 1125]	5000 to 7000 [1125 to 1575]	7000 to 10000 [1575 to 2250]	0 to 10 [0 to 0.39]	10 to 20 [0.39 to 0.79]	20 to 30 [0.79 to 1.18]	30 to 40 [1.18 to 1.57]	40 to 50 [1.57 to 1.97]	50 to 60 [1.97 to 2.36]	0 to 25 [0 to 0.98]	25 to 40 [0.98 to 1.57]	40 to 55 [1.57 to 2.17]	55 to 70 [2.17 to 2.76]	70 to 85 [2.76 to 3.35]	85 to 100 [3.35 to 3.94]
	2005	2.3																		
	2013	2.5																		
	2017	2.7																		
	2027	2.9																		
	2037	2.11																		
	213	2.13																		
	217	2.15																		
	227	2.17																		
	237	2.19																		
	245	2.21																		
	205	2.23																		
	215	2.25																		
	225	2.27																		
	235	2.29																		
	305	2.31																		
	307	2.31																		
	309	2.31																		
	206	2.33																		
	5305	2.35																		
	5310	2.35																		



Overall Length mm [inch]		Overall Width mm [inch]		Suitable Application Area										Standard Material		Arm Style		Mounting Style			Service Environment												
50 to 75 [1.97 to 2.95]	75 to 100 [2.95 to 3.94]	100 to 125 [3.94 to 4.92]	125 to 150 [4.92 to 5.91]	150 to 175 [5.91 to 6.89]	175 to 200 [6.89 to 7.87]	200 to 225 [7.87 to 8.86]	225 to 250 [8.86 to 9.84]	250+ [9.84+]	0 to 25 [0 to 0.98]	25 to 40 [0.98 to 1.57]	40 to 55 [1.57 to 2.17]	55 to 70 [1.57 to 2.76]	Welding	Assembly	Checking Fixtures	Machining	Woodworking	Closures	Food Processing	Duty Cycle	Steel	Stainless Steel	Toggle Lock Plus	U-Bar Version	Solid Arm Version	Straight Base	Flanged Base	Weld-On Mounting	Normal	Harsh/Dirty			
█									█				●	●	●	●	●	●	⊗	○	✓			✓	✓		✓		✓				
		█							█				○	●	●	●	●	●	⊗	○	✓		✓	✓		✓	✓		✓				
			█							█			○	●	●	○	●	●	⊗	○	✓		✓	✓		✓	✓		✓				
				█						█			○	●	●	○	●	●	⊗	○	✓		✓	✓		✓	✓		✓				
					█						█		○	●	●	○	●	●	⊗	○	✓	✓		✓	✓		✓	✓		✓			
						█				█			○	●	●	○	●	●	○	○	✓	✓		✓	✓		✓	✓		✓			
							█				█		○	●	●	○	●	●	○	○	✓	✓		✓	✓		✓	✓		✓			
								█				█	○	●	●	○	●	●	○	○	✓	✓		✓	✓		✓	✓		✓			
█									█				●	●	●	●	●	●	○	○	✓	✓		✓	✓		✓	✓		✓			
			█							█			○	●	●	●	●	●	○	○	✓	✓		✓	✓		✓	✓		✓			
				█							█		○	●	●	○	●	●	○	○	✓	✓	✓	✓		✓	✓		✓		✓		
					█							█	○	●	●	○	●	●	○	○	✓	✓	✓	✓		✓	✓		✓		✓		
█									█				●	●	○	●	○	●	○	○	✓	✓		✓	✓		✓	✓		✓		✓	
										█			○	●	○	●	●	●	⊗	○	✓	✓	✓				✓	✓		✓		✓	
								█					○	●	○	●	●	●	⊗	○	✓	✓	✓				✓	✓		✓		✓	

● Excellent/High ○ Fair/Medium ● Poor/Low ⊗ Not Recommended

Series 2005 Product Overview

Features:

- Increased handle clearance reduces pinch points
- Mounting pattern interchangeable with Model 205 with 3 times the holding capacity

Applications:

- Assembly
- Closures

Also Available:

See page 8.1 for accessories
Accommodates M4 or #8 spindle accessory

Covered under one year or more U.S./International Patents

2005-U
U-Bar



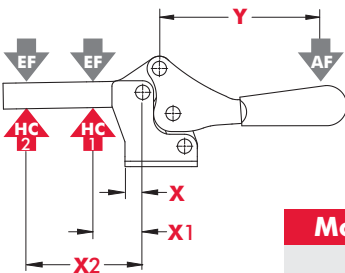
2005-S
Solid Bar



Series 2005 Technical Information

Model	Max. Holding Capacity	Clamp Bar Opening (+10°)	Handle Opening (+10°)	Weight	Accessories (Supplied)	
					Spindle Assembly	Flanged Washers
2005-U	800 N [180 lbf]	74°	62°	0,05kg [0.10lb]	205208-M	105106
2005-S	450 N [100 lbf]					--

Series 2005 Holding Capacities

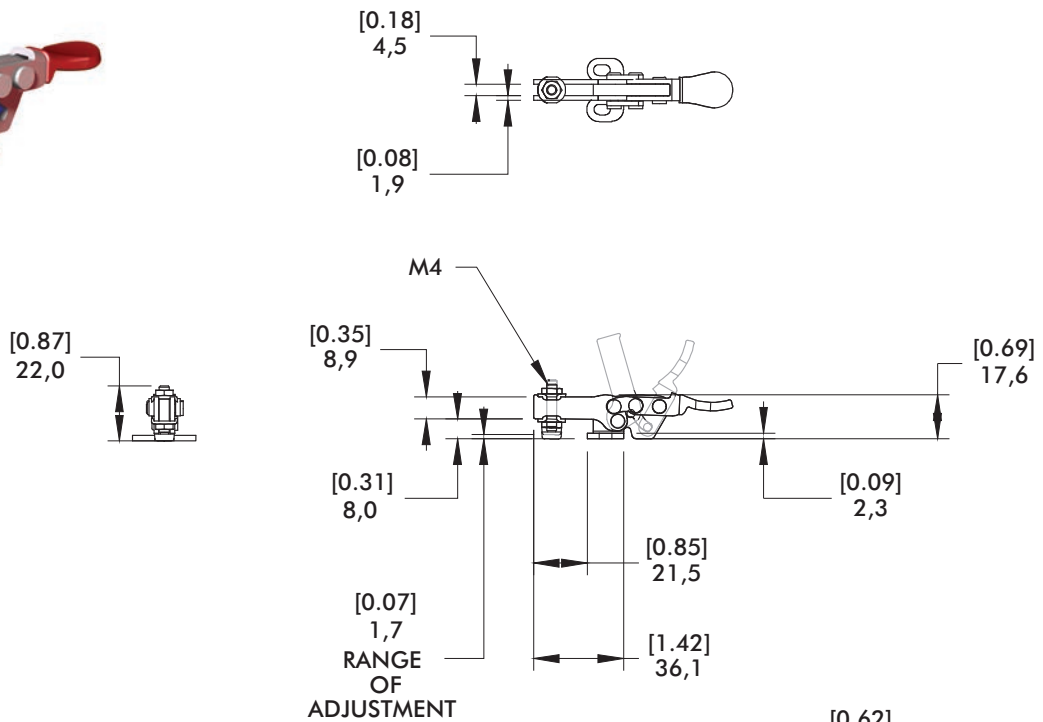


Model	X	X1	X2	Y	‡HC1	‡HC2	‡EF(X1):AF	‡EF(X2):AF
U	[0.48]	[0.62] 15,8	[1.05] 26,7	[1.20]	[180lbf.] 800N	[120lbf.] 530N	5:1	2.5:1
S	12,2	--	[1.15] 29,2	30,5	--	[100lbf.] 450N	--	

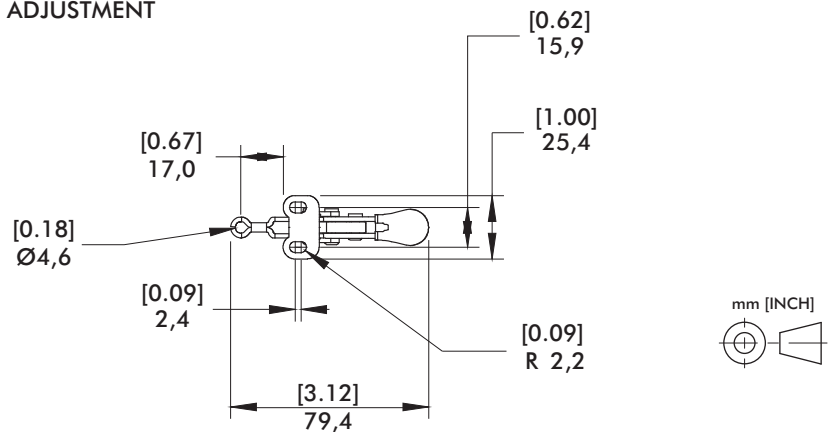
Dimensions shown "mm [inch]" ‡ HC = Holding Capacity, EF = Exerting Force, AF = Applied Force
Refer to page 19.4 for additional information.

Series 2005 Standard Clamp Dimensions -U/-S

2005-U
U-Bar



2005-S
Solid Bar





Series 2013 Product Overview

Features:

- Increased handle clearance reduces pinch points
- Common mounting hole pattern to Model 213
- Fixed handle pivot provides smooth action
- Nearly 2 times the holding capacity Model 213

Applications:

- Checking fixtures
- Assembly & test
- Light machining
- Woodworking
- Closures

Also Available:

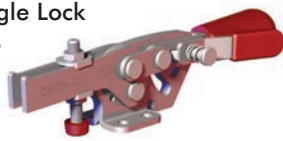
See page 8.1 for accessories
Accommodates M5 or #10 spindle accessory

Covered under one year or more U.S./International Patents

2013-U
Flanged Base
U-Bar



2013-UR
Flanged Base, U-Bar
with DE-STA-CO®
Toggle Lock
Plus



2013-UB
Straight Base, U-Bar



2013-UBR
Straight Base, U-Bar
with DE-STA-CO®
Toggle Lock
Plus

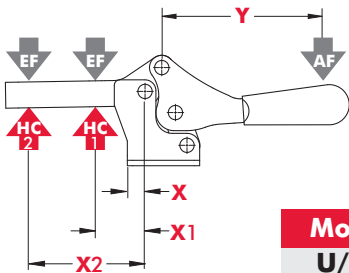


Note:
Clamps shown with included accessories.

Series 2013 Technical Information

Model	Max. Holding Capacity	Clamp Bar Opening (+10°)	Handle Opening (+10°)	Weight	Accessories (Supplied)	
					Spindle Assembly	Flanged Washers
2013-U	1310 N [295 lbf]	71°	58°	0,17kg [0.37lb]	2013208-M	102111
2013-UR						
2013-UB						
2013-UBR						

Series 2013 Holding Capacities

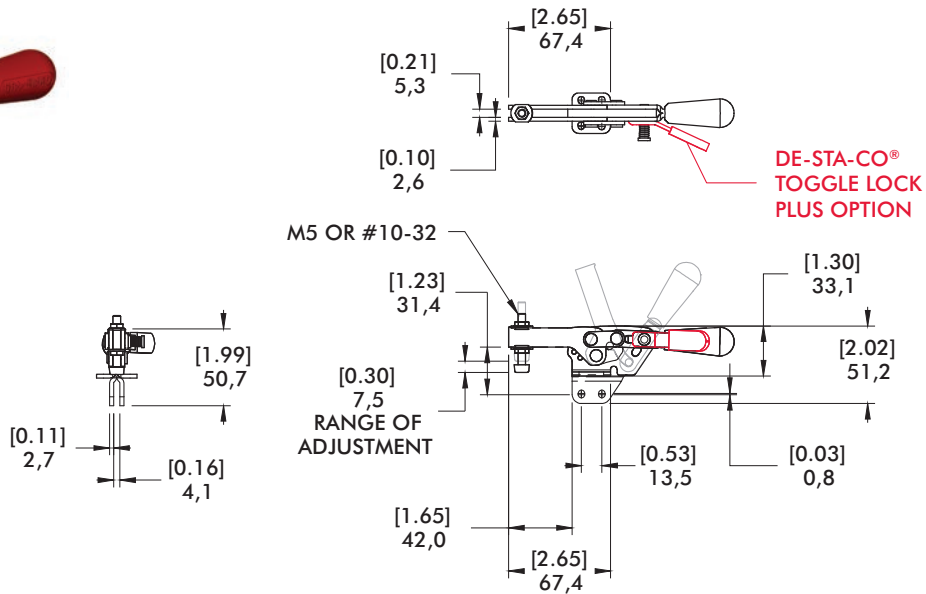


Model	X	X1	X2	Y	‡HC1	‡HC2	‡EF(X1):AF	‡EF(X2):AF
U/UR	[0.63]	[0.95]	[1.95]	[2.34]	[295lbf.]	[175lbf.]	6:1	4:1
UB/UBR	16	24	49,5	59,5	1310N	780N		

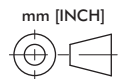
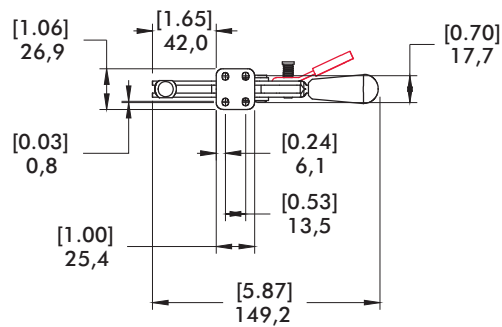
Dimensions shown "mm [inch]" ‡ HC = Holding Capacity, EF = Exerting Force, AF = Applied Force
Refer to page 19.4 for additional information.

Series 2013 Standard Clamp Dimensions -U/-UR/-UB/-UBR

2013-U
Flanged Base
U-Bar



2013-UBR
Straight Base, U-Bar
with DE-STA-CO®
Toggle Lock
Plus



Series 2017 Product Overview

Features:

- Increased handle clearance reduces pinch points
- Common mounting hole pattern to Model 217
- Fixed handle pivot provides smooth action
- Over 2½ times the holding capacity Model 217

Applications:

- Checking fixtures
- Assembly & test
- Light machining
- Woodworking
- Closures

Also Available:

See page 8.1 for accessories
Accommodates M6 or ¼" spindle accessory

Covered under one year or more U.S./International Patents

2017-U
Flanged Base
U-Bar



2017-UR
Flanged Base, U-Bar
with DE-STA-CO®
Toggle Lock
Plus



2017-UB
Straight Base
U-Bar



2017-UBR
Straight Base, U-Bar
with DE-STA-CO®
Toggle Lock
Plus

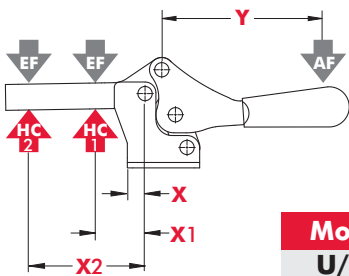


Note:
Clamps shown with included accessories.

Series 2017 Technical Information

Model	Max. Holding Capacity	Clamp Bar Opening (+10°)	Handle Opening (+10°)	Weight	Accessories (Supplied)	
					Spindle Assembly	Flanged Washers
2017-U	2500 N [560 lbf]	73°	69°	0,44kg [0.97lb]	215208-M	215105
2017-UR						
2017-UB						
2017-UBR						

Series 2017 Holding Capacities

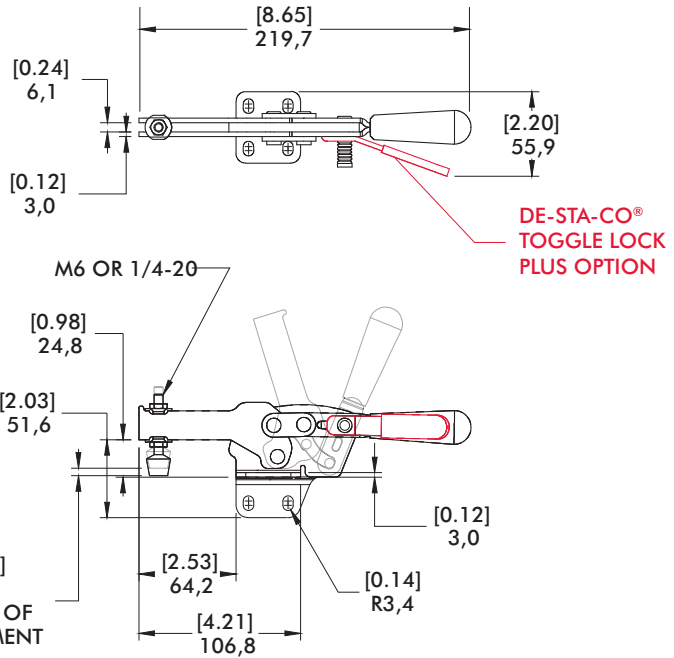
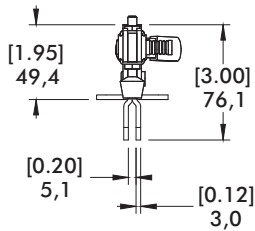


Model	X	X1	X2	Y	±HC1	±HC2	±EF(X1):AF	±EF(X2):AF
U/UR	[1.08]	[1.65]	[3.15]	[2.54]	[560lbf.]	[245lbf.]	5:1	2.5:1
UB/UBR	27,4	42	80	64,5	2500N	1090N		

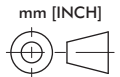
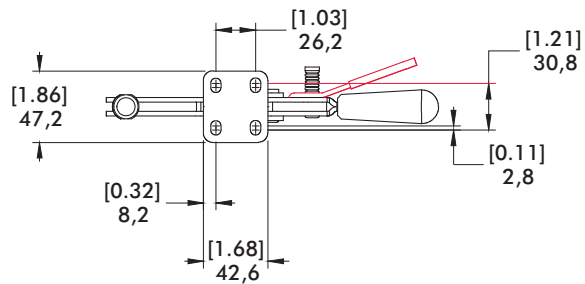
Dimensions shown "mm [inch]" ± HC = Holding Capacity, EF = Exerting Force, AF = Applied Force
Refer to page 19.4 for additional information.

Series 2017 Standard Clamp Dimensions -U/-UR/-UB/-UBR

2017-U
Flanged Base
U-Bar



2017-UBR
Straight Base, U-Bar
with DE-STA-CO®
Toggle Lock
Plus



Series 2027 Product Overview

Features:

- Increased handle clearance reduces pinch points
- Common mounting hole pattern to Model 227
- Fixed handle pivot provides smooth action
- Over 1½ times the holding capacity Model 227

Applications:

- Checking fixtures
- Assembly & test
- Light machining
- Woodworking
- Closures

Also Available:

See page 8.1 for accessories
Accommodates M8 or 5/16" spindle accessory

Covered under one year or more U.S./International Patents

2027-U
Flanged Base
U-Bar



2027-UR
Flanged Base, U-Bar
with DE-STA-CO®
Toggle Lock
Plus



2027-UB
Straight Base
U-Bar



2027-UBR
Straight Base, U-Bar
with DE-STA-CO®
Toggle Lock
Plus

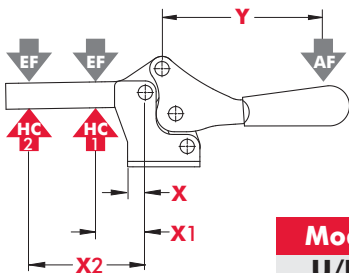


Note:
Clamps shown with included accessories.

Series 2027 Technical Information

Model	Max. Holding Capacity	Clamp Bar Opening (+10°)	Handle Opening (+10°)	Weight	Accessories (Supplied)	
					Spindle Assembly	Flanged Washers
2027-U	3740 N [840 lbf]	68°	70°	0,61kg [1.34lb]	2007208-M	507107
2027-UR						
2027-UB						
2027-UBR						

Series 2027 Holding Capacities

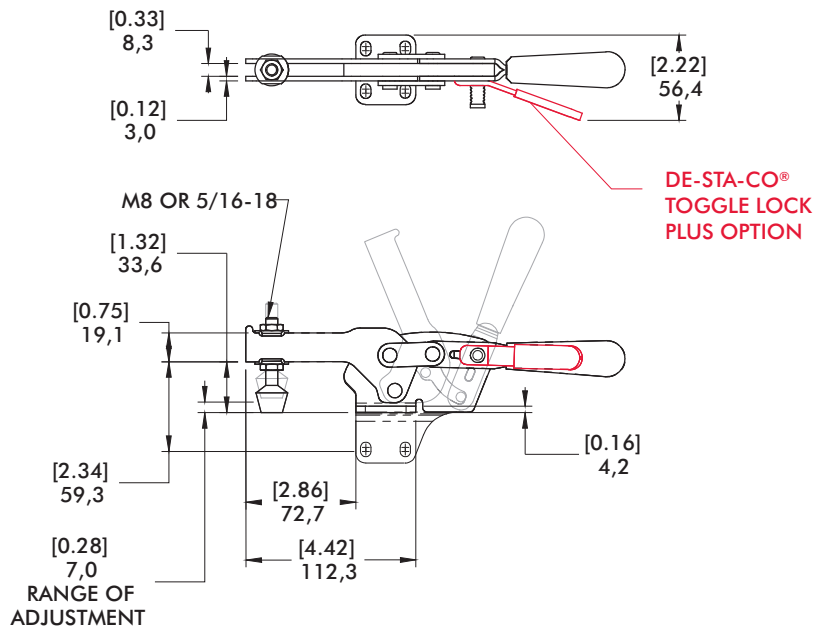
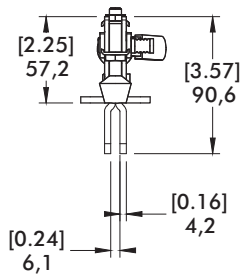


Model	X	X1	X2	Y	‡HC1	‡HC2	‡EF(X1):AF	‡EF(X2):AF
U/UR	[1.02]	[1.75]	[3.30]	[2.54]	[840lbf.]	[480lbf.]	5:1	3:1
UB/UBR	25,8	44,5	83,8	64,5	3740N	2140N		

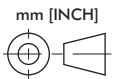
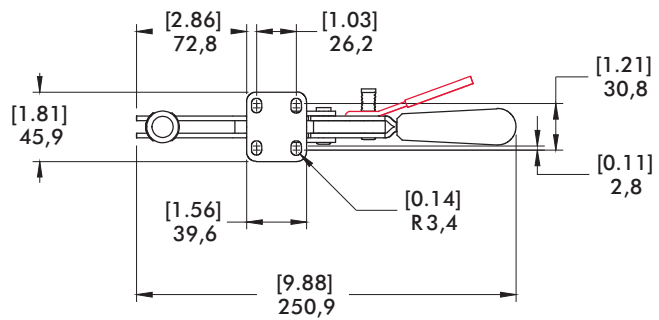
Dimensions shown "mm [inch]" ‡ HC = Holding Capacity, EF = Exerting Force, AF = Applied Force
Refer to page 19.4 for additional information.

Series 2027 Standard Clamp Dimensions -U/-UR/-UB/-UBR

2027-U
Flanged Base
U-Bar



2027-UBR
Straight Base, U-Bar
with DE-STA-CO®
Toggle Lock
Plus



Series 2037 Product Overview

Features:

- Increased handle clearance reduces pinch points
- Common mounting hole pattern to Model 237
- Fixed handle pivot provides smooth action
- Over 2½ times the holding capacity Model 237

Applications:

- Checking fixtures
- Assembly & test
- Light machining
- Woodworking
- Closures

Also Available:

See page 8.1 for accessories
Accommodates M10 or 3/8" spindle accessory

Covered under one year or more U.S./International Patents

2037-U
Flanged Base
U-Bar



2037-UR
Flanged Base, U-Bar
with DE-STA-CO®
Toggle Lock
Plus



2037-UB
Straight Base
U-Bar



2037-UBR
Straight Base, U-Bar
with DE-STA-CO®
Toggle Lock
Plus

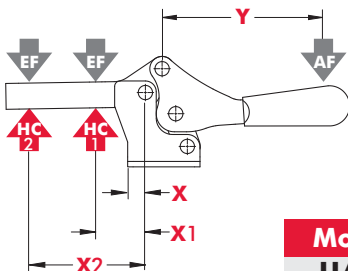


Note:
Clamps shown with included accessories.

Series 2037 Technical Information

Model	Max. Holding Capacity	Clamp Bar Opening (+10°)	Handle Opening (+10°)	Weight	Accessories (Supplied)	
					Spindle Assembly	Flanged Washers
2037-U	7470 N [1680 lbf]	73°	72°	1,34kg [2.95lb]	240208-M	235106
2037-UR						
2037-UB						
2037-UBR						

Series 2037 Holding Capacities

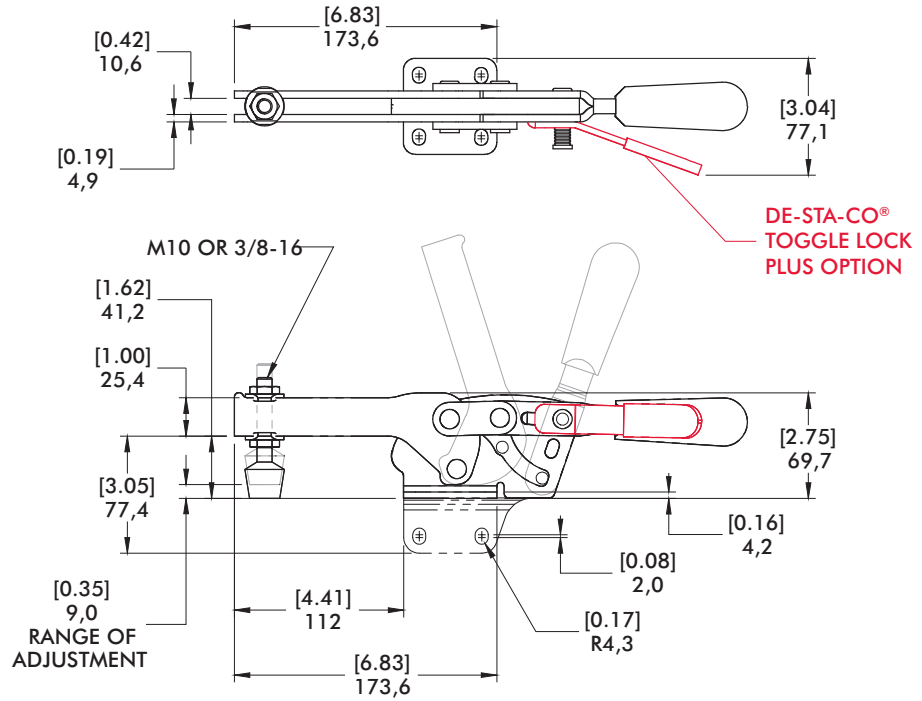
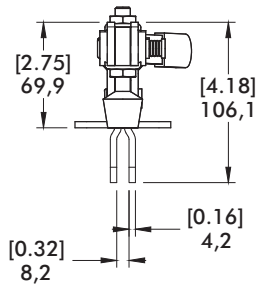


Model	X	X1	X2	Y	‡HC1	‡HC2	‡EF(X1):AF	‡EF(X2):AF
U/UR	[1.39]	[2.20]	[5.05]	[3.81]	[1680lbf.]	[700lbf.]	5:1	3:1
UB/UBR	35,3	56	128,3	97	7470N	3120N		

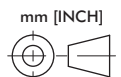
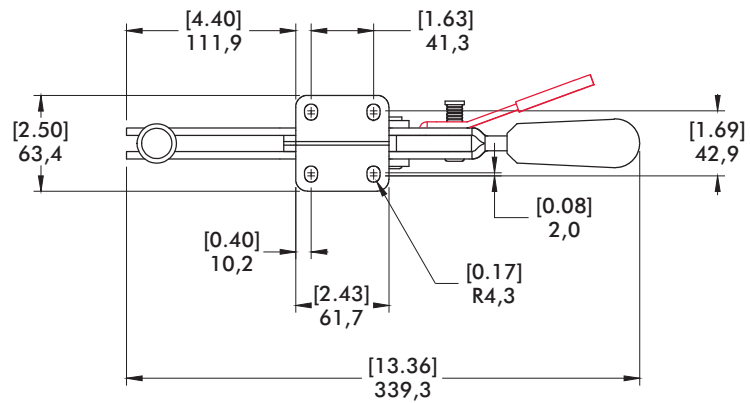
Dimensions shown "mm [inch]" ‡ HC = Holding Capacity, EF = Exerting Force, AF = Applied Force
Refer to page 19.4 for additional information.

Series 2037 Standard Clamp Dimensions -U/-UR/-UB/-UBR

2037-U
Flanged Base
U-Bar



2037-UBR
Straight Base, U-Bar
with DE-STA-CO®
Toggle Lock
Plus



Series 213 Product Overview

Features:

- Low profile
- Large handle clearance in the open position
- Available in stainless steel

Applications:

- Assembly
- Checking fixtures
- Closures
- Woodworking

Also Available:

See page 8.1 for accessories
Accommodates M5 or #10 spindle accessory

213-U
Flanged Base
U-Bar



213-USS
Flanged Base
U-Bar, Stainless
Steel



213-UB
Straight Base
U-Bar



213-U-L
Flanged Base
Open Bar



213-UB-L
Straight Base
Open Bar



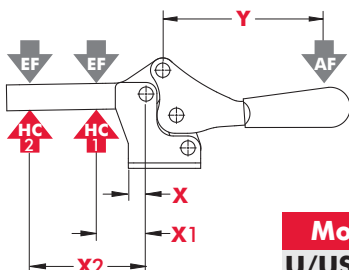
Note:
Clamps shown with included accessories.

Series 213 Technical Information

Model	Max. Holding Capacity	Clamp Bar Opening (+10°)	Handle Opening (+10°)	Weight	Accessories (Supplied)	
					Spindle Assembly	Flanged Washers
213-U	670 N [150 lbf]	90°	60°	0,08kg [0.17lb]	213208-M	102111
213-USS					201943	102911
213-UB					213208-M	102111
213-U-L					--	--
213-UB-L					--	--

ⓘ This item is available upon request

Series 213 Holding Capacities

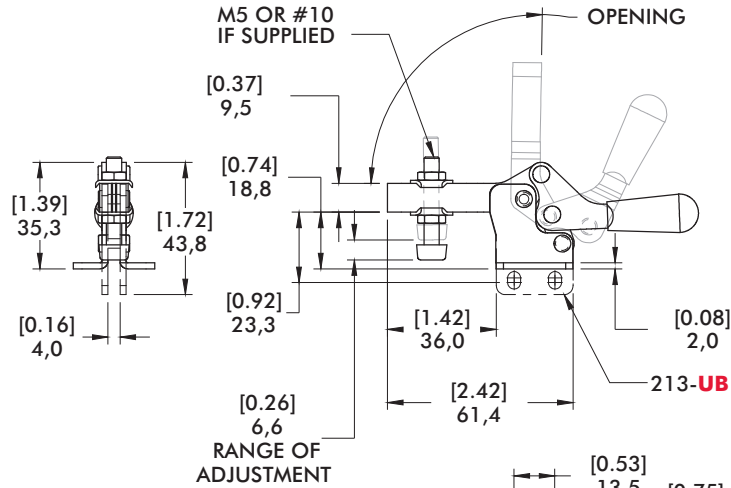
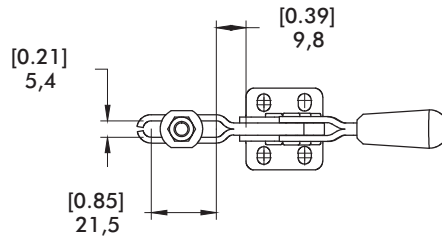
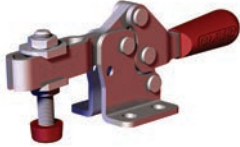


Model	X	X1	X2	Y	‡HC1	‡HC2	‡EF(X1):AF	‡EF(X2):AF
U/USS/UB	[0.36]	[0.75]	[1.63]	[1.81]	[150lbf.]	[70lbf.]	7:1	3:1
U-L/UB-L	9,3	19	41,4	46	670N	310N		

Dimensions shown "mm [inch]" ‡ HC = Holding Capacity, EF = Exerting Force, AF = Applied Force
Refer to page 19.4 for additional information.

Series 213 Standard Clamp Dimensions -U/-USS/-UB

213-U[†]
Flanged Base
U-Bar

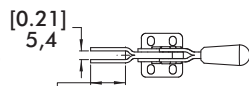


Series 213 Open Bar



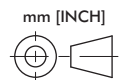
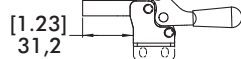
Flanged Base
Model
213-U-L ⓘ

See page 8.7 for Complete offering of Open bar accessories



Straight Base
Model
213-UB-L ⓘ

See page 2.14 for dimensions not shown



Series 217 Product Overview

Features:

- Low profile
- Large handle clearance in the open position
- Available in stainless steel

Applications:

- Assembly
- Checking fixtures
- Closures
- Woodworking

Also Available:

See page 8.1 for accessories
Accommodates M6 or 1/4" spindle accessory

217-U
Flanged Base
U-Bar



217-USS
Flanged Base
U-Bar, Stainless
Steel



217-UB
Straight Base
U-Bar



217-U-L ⓘ
Flanged Base
Open Bar



217-UB-L ⓘ
Straight Base
Open Bar



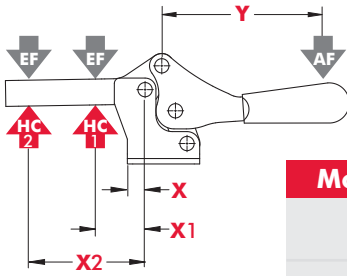
Note:
Clamps shown with included accessories.

Series 217 Technical Information

Model	Max. Holding Capacity	Clamp Bar Opening (+10°)	Handle Opening (+10°)	Weight	Accessories (Supplied)	
					Spindle Assembly	Flanged Washers
217-U	900 N [200 lbf]	91°	61°	0,18kg [0.40lb]	202208-M	215105
217-USS	1110 N [250 lbf]				202943	215105
217-UB	900 N [200 lbf]	91°	61°	0,18kg [0.40lb]	202208-M	215105
217-U-L ⓘ					--	--
217-UB-L ⓘ					--	--

ⓘ This item is available upon request

Series 217 Holding Capacities



Model	X	X1	X2	Y	±HC1	±HC2	±EF(X1):AF	±EF(X2):AF
U					[200lbf.] 900N	[80lbf.] 360N		
USS	[0.53] 13,5	[1.13] 28,6	[2.63] 66,8	[2.93] 74,5	[250lbf.] 1110N	[100lbf.] 440N	7:1	3:1
UB/U-L/ UB-L					[200lbf.] 900N	[80lbf.] 360N		

Dimensions shown "mm [inch]" ± HC = Holding Capacity, EF = Exerting Force, AF = Applied Force
Refer to page 19.4 for additional information.

Series 217 Standard Clamp Dimensions -U/-USS/-UB

Series 217 Open Bar

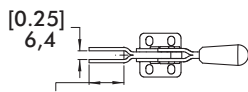


Flanged Base
Model
217-U-L

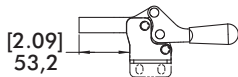


Straight Base
Model
217-UB-L

See page 8.7 for Complete offering of Open bar accessories



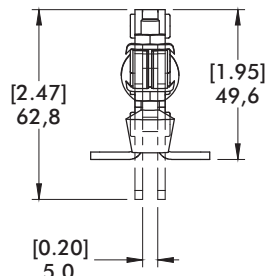
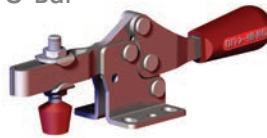
[1.49]
38



[2.09]
53,2

See page 2.16 for dimensions not shown

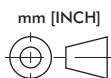
217-U[†] Flanged Base U-Bar



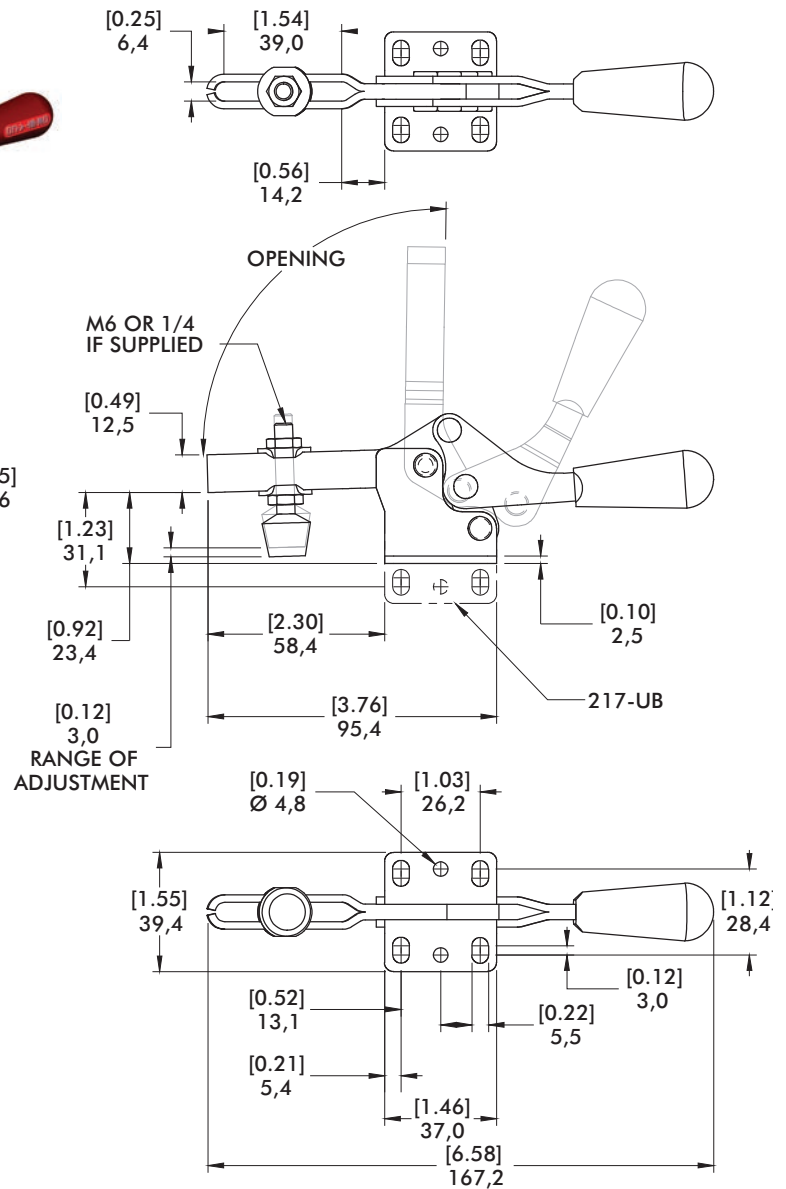
[2.47]
62,8

[0.20]
5,0

[1.95]
49,6



mm [INCH]



[0.12]
3,0
RANGE OF ADJUSTMENT

[0.19]
Ø 4,8

[1.03]
26,2

[1.55]
39,4

[0.52]
13,1

[0.22]
5,5

[0.12]
3,0

[1.12]
28,4

[0.21]
5,4

[1.46]
37,0

[6.58]
167,2

Series 227 Product Overview

Features:

- Low profile
- Large handle clearance in the open position.
- Available in stainless steel

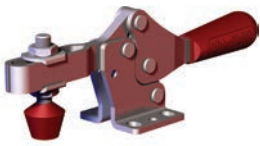
Applications:

- Assembly
- Checking fixtures
- Closures
- Woodworking

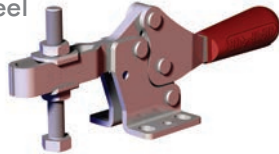
Also Available:

See page 8.1 for accessories
Accommodates M6 or 5/16" spindle accessory

227-U
Flanged Base
U-Bar



227-USS
Flanged Base
U-Bar, Stainless
Steel



227-UB
Straight Base
U-Bar



227-U-L
Flanged Base
Open Bar



227-UB-L
Straight Base
Open Bar



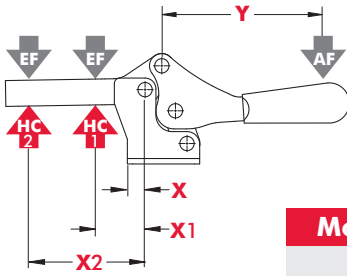
Note:
Clamps shown with included accessories.

Series 227 Technical Information

Model	Max. Holding Capacity	Clamp Bar Opening (+10°)	Handle Opening (+10°)	Weight	Accessories (Supplied)	
					Spindle Assembly	Flanged Washers
227-U	2220 N [500 lbf]	91°	56°	0,31kg [0.68lb]	225208-M	507107
227-USS	2670 N [600 lbf]				207943	507907
227-UB	2220 N [500 lbf]	91°	56°	0,31kg [0.68lb]	225208-M	507107
227-U-L					--	--
227-UB-L					--	--

i This item is available upon request

Series 227 Holding Capacities

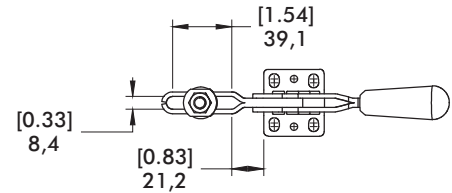
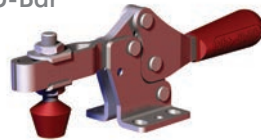


Model	X	X1	X2	Y	±HC1	±HC2	±EF(X1):AF	±EF(X2):AF
U					[500lb.f.] 2220N	[225lb.f.] 1000N		
USS	[0.39] 10,0	[1.25] 31,8	[2.75] 70,0	[3.58] 91,0	[600lb.f.] 2670N	[270lb.f.] 1200N	8:1	3:1
UB/U-L/ UB-L					500lb.f.] 2220N	[225lb.f.] 1000N		

Dimensions shown "mm [inch]" ± HC = Holding Capacity, EF = Exerting Force, AF = Applied Force
Refer to page 19.4 for additional information.

Series 227 Standard Clamp Dimensions -U/-USS/-UB

227-U[†]
Flanged Base
U-Bar

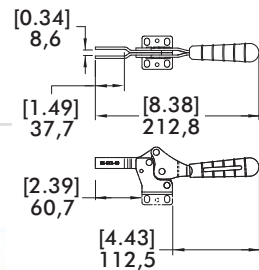


Series 227 Open Bar



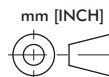
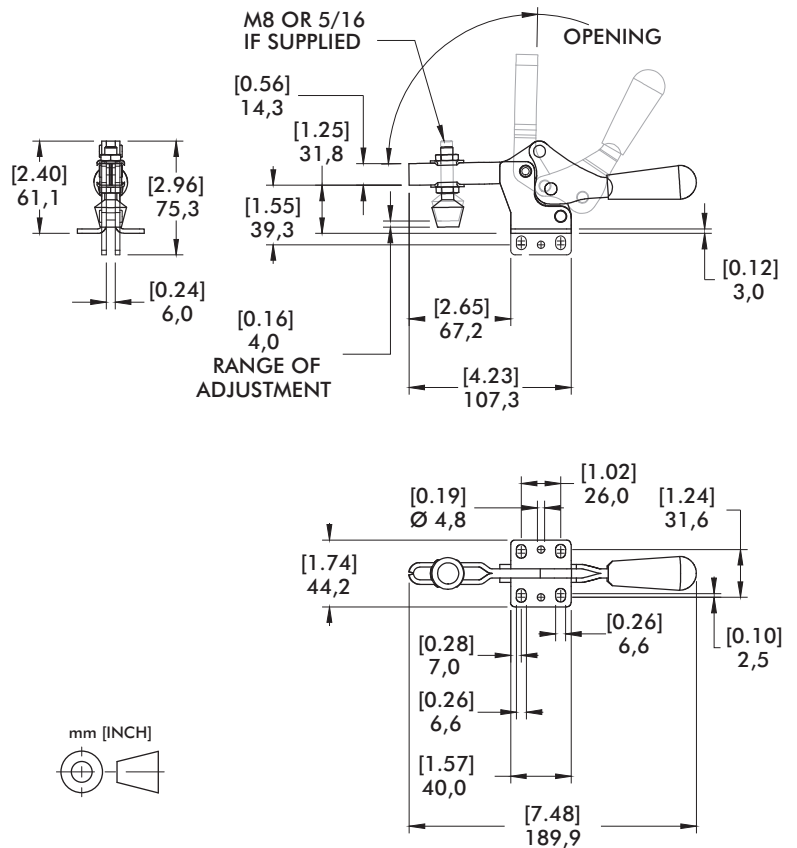
Flanged Base
Model
227-U-L

See page 8.7 for Complete offering of Open bar accessories



Straight Base
Model
227-UB-L

See page 2.18 for dimensions not shown



Series 237 Product Overview

Features:

- Low profile
- Large handle clearance in the open position.
- Available in stainless steel

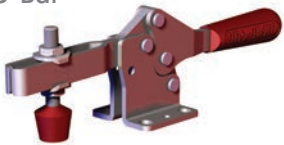
Applications:

- Assembly
- Checking fixtures
- Welding

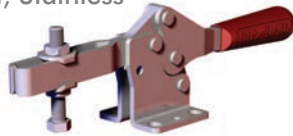
Also Available:

See page 8.1 for accessories
Accommodates M10 or 3/8" spindle accessory

237-U
Flanged Base
U-Bar



237-USS ⓘ
Flanged Base
U-Bar, Stainless
Steel



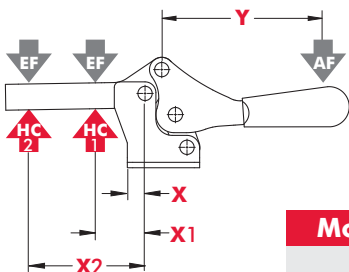
Note:
Clamps shown with included accessories.

Series 237 Technical Information

Model	Max. Holding Capacity	Clamp Bar Opening (+10°)	Handle Opening (+10°)	Weight	Accessories (Supplied)	
					Spindle Assembly	Flanged Washers
237-U	3340 N [750 lbf]	93°	59°	0,73kg [1.60lb]	240208-M	235106
237-USS ⓘ	3780 N [850 lbf]				237943	235906

ⓘ This item is available upon request

Series 237 Holding Capacities

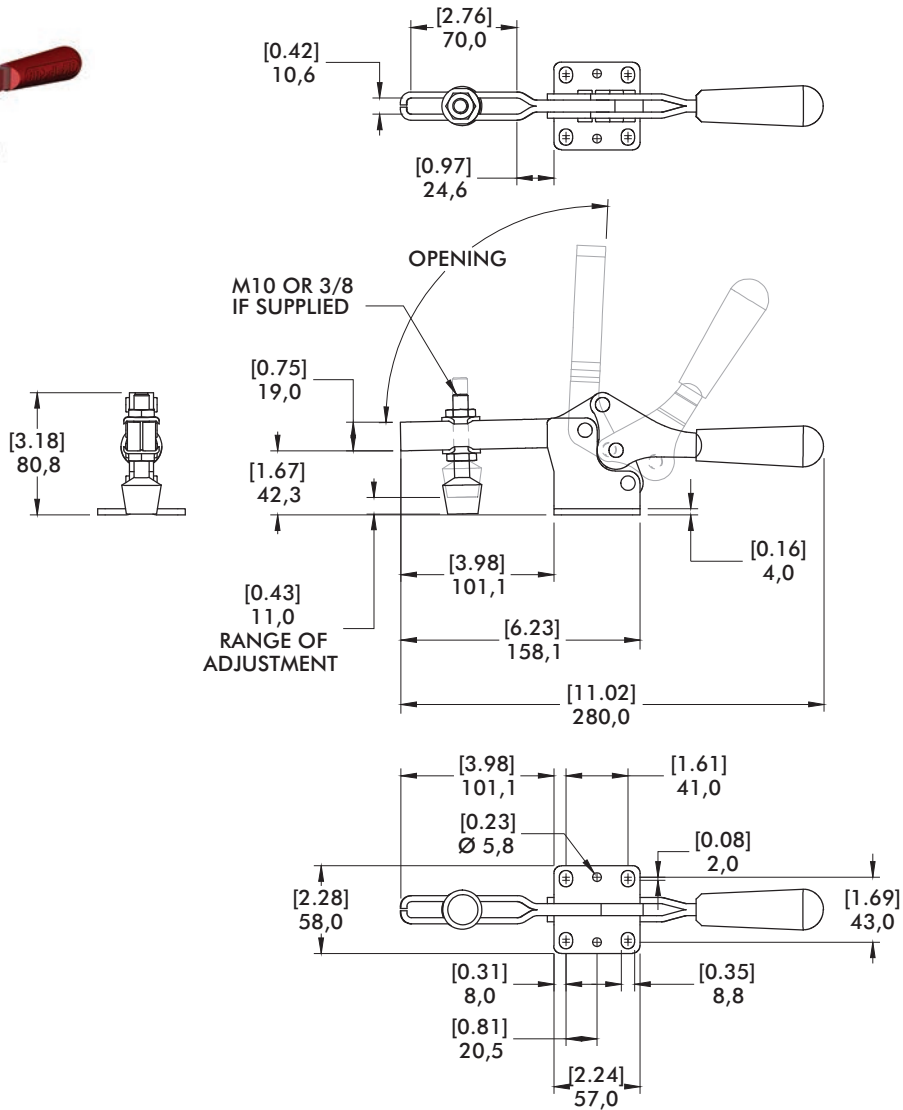
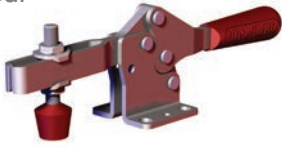


Model	X	X1	X2	Y	±HC1	±HC2	±EF(X1):AF	±EF(X2):AF
U	[0.81]	[1.75]	[4.50]	[5.25]	[750lbf.] 3340N	[290lbf.] 1290N	6:1	2:1
USS	20,6	44,5	114,3	133,3	[850lbf.] 3780N	[330lbf.] 1470N		

Dimensions shown "mm [inch]" ± HC = Holding Capacity, EF = Exerting Force, AF = Applied Force
Refer to page 19.4 for additional information.

Series 237 Standard Clamp Dimensions -U/-USS

237-U^t
Flanged Base
U-Bar



Series 245 Product Overview

Features:

- Low profile
- Large handle clearance in the open position.

Applications:

- Assembly
- Checking fixtures
- Welding

Also Available:

See page 8.1 for accessories
Accommodates M12 or 1/2" spindle accessory

245-U
Flanged Base
U-Bar

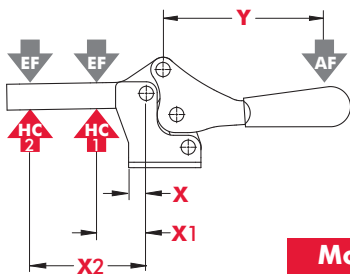


Note:
Clamps shown with included accessories.

Series 245 Technical Information

Model	Max. Holding Capacity	Clamp Bar Opening (+10°)	Handle Opening (+10°)	Weight	Accessories (Supplied)	
					Spindle Assembly	Flanged Washers
245-U	4450 N [1000 lbf]	105°	74°	1,32kg [2.90lb]	247208-M	247109

Series 245 Holding Capacities

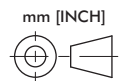
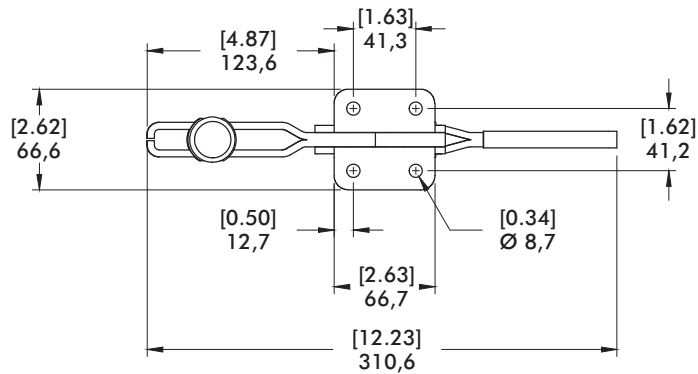
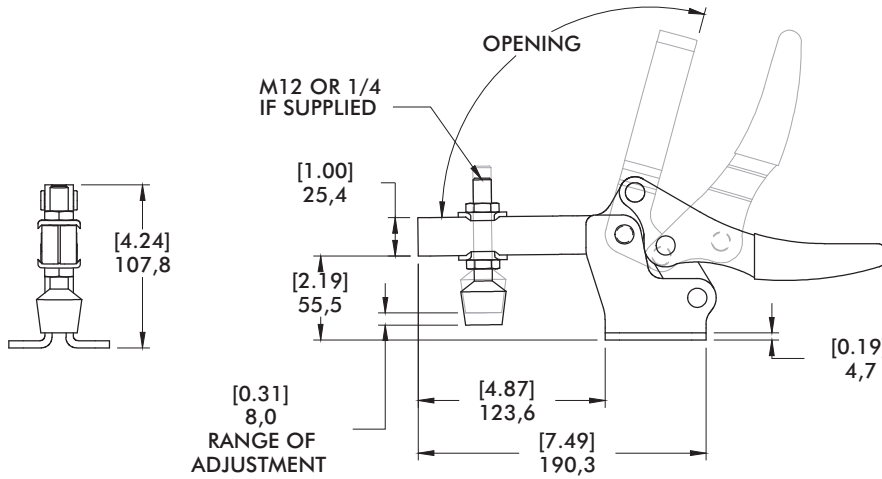
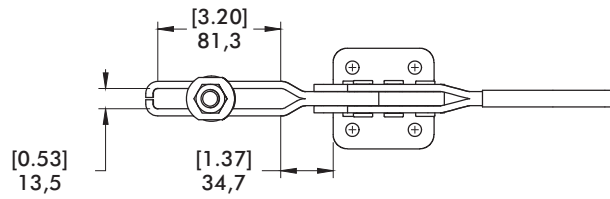


Model	X	X1	X2	Y	‡HC1	‡HC2	‡EF(X1):AF	‡EF(X2):AF
U	[0.50] 12,7	[2.00] 50,8	[5.00] 127	[6.09] 154,7	[1000lbf.] 4450N	[400lbf.] 1780N	11:1	5:1

Dimensions shown "mm [inch]" ‡ HC = Holding Capacity, EF = Exerting Force, AF = Applied Force
Refer to page 19.4 for additional information.

Series 245 Standard Clamp Dimensions

245-U
Flanged Base
U-Bar



Series 205 Product Overview

Features:

- Smallest of the Horizontal Hold Down clamps
- Ideal for light duty clamping in tight spaces
- Stainless steel models furnished without plastic grip

Applications:

- Assembly
- Closures
- Woodworking
- Light duty clamping

Also Available:

See page 8.1 for accessories
Accommodates M4 or #8 spindle accessory

205-U
Flanged Base
U-Bar



205-UB ⓘ
Straight Base
U-Bar



205-UL ⓘ
Left Flanged
Base, U-Bar



205-UR ⓘ
Right Flanged
Base, U-Bar



205-USS
Flanged Base
U-Bar, Stainless
Steel



205-S
Flanged Base
Solid Bar



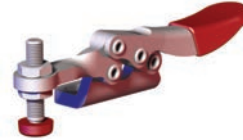
205-SB ⓘ
Straight Base
Solid Bar



205-SL ⓘ
Left Flanged Base,
Solid Bar



205-SR ⓘ
Right Flanged
Base, Solid Bar



205-SSS
Flanged Base
Solid Bar, Stainless
Steel



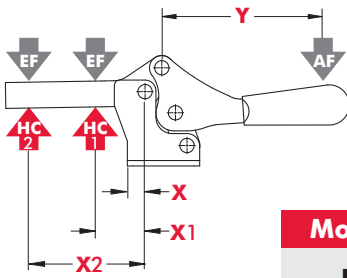
Note:
Clamps shown with included accessories.

Series 205 Technical Information

Model	Max. Holding Capacity	Clamp Bar Opening (+10°)	Handle Opening (+10°)	Weight	Accessories (Supplied)	
					Spindle Assembly	Flanged Washers
205-U	270N [60 lbf]	90°	80°	0,03kg [0.06lb]	205208-M	105106
205-UB ⓘ						
205-UL ⓘ						
205-UR ⓘ	340N [75 lbf]	94°	82°		205208-M	--
205-USS						
205-S	270N [60 lbf]	94°	82°		0,03kg [0.06lb]	205208-M
205-SB ⓘ						
205-SL ⓘ						
205-SR ⓘ	340N [75 lbf]	94°	82°	205943		105906
205-SSS						

ⓘ This item is available upon request

Series 205 Holding Capacities

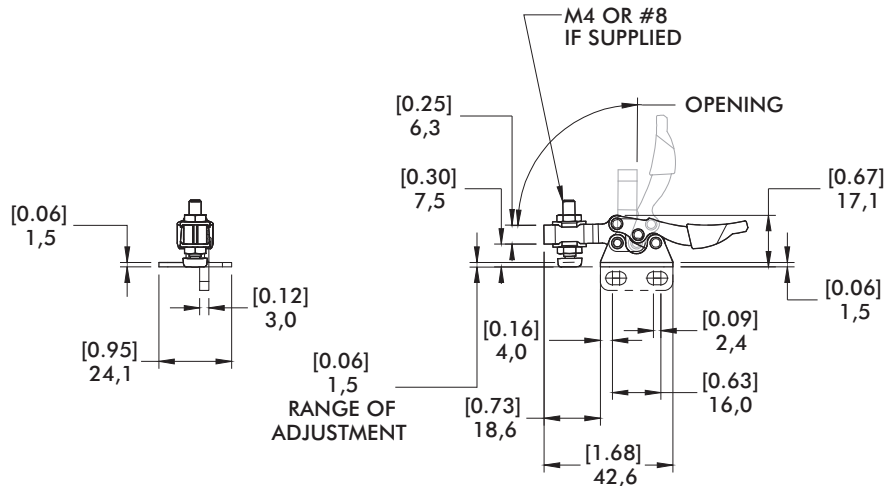
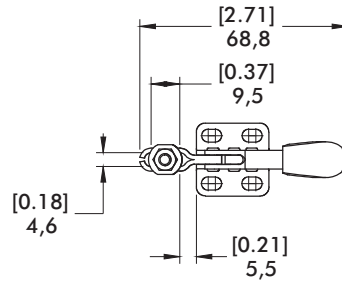


Model	X	X1	X2	Y	±HC1	±HC2	±EF(X1):AF	±EF(X2):AF
U		[0.43] 11			[60lbf.] 270N	[50lbf.] 220N	9:1	5:1
USS	[0.22] 5,6		[0.81] 20,5	[1.31] 33,2	[75lbf.] 340N	[65lbf.] 290N		
S		--			--	[60lbf.] 270N	--	4:1
SSS					--	[75lbf.] 340N		

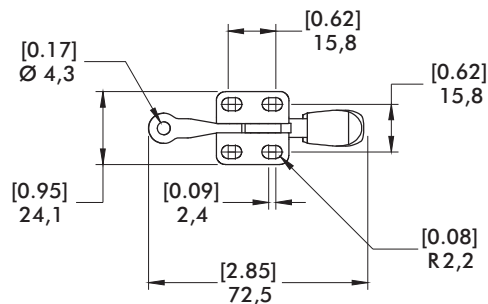
Dimensions shown "mm [inch]" ± HC = Holding Capacity, EF = Exerting Force, AF = Applied Force
Refer to page 19.4 for additional information.

Series 205 Standard Clamp Dimensions -U/-UB/-UL-/-UR/-USS/-S/-SB/-SL/-SR/-SSS

205-U[†]
Flanged Base
U-Bar



205-S[†]
Flanged Base
Solid Bar



Series 215 Product Overview

Features:

- Low profile
- Stainless steel model furnished without plastic grip

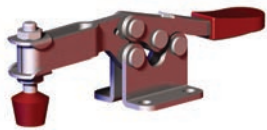
Applications:

- Assembly
- Checking fixtures
- Closures
- Woodworking

Also Available:

See page 8.1 for accessories
Accommodates M6 or 1/4" spindle accessory

215-U
Flanged Base
U-Bar



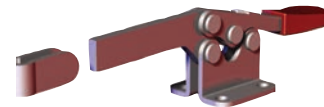
215-USS
Flanged Base
U-Bar, Stainless
Steel



215-UB[†] ⓘ
Straight Base
U-Bar



215-S
Flanged Base
Solid Bar



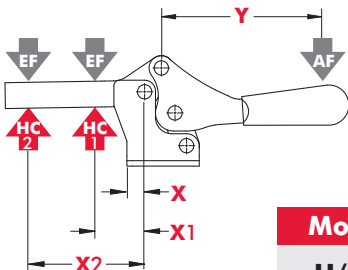
Note:
Clamps shown with included accessories.

Series 215 Technical Information

Model	Max. Holding Capacity	Clamp Bar Opening (+10°)	Handle Opening (+10°)	Weight	Accessories (Supplied)		
					Spindle Assembly	Flanged Washers	Bolt Retainer
215-U	890 N [200 lbf]	87°	78°	0,15kg [0.34lb]	202208-M	215105	--
215-USS	1110 N [250 lbf]				202943	215105	
215-UB ⓘ	890 N [200 lbf]				202208-M	215105	
215-S					--	--	205105

ⓘ This item is available upon request

Series 215 Holding Capacities

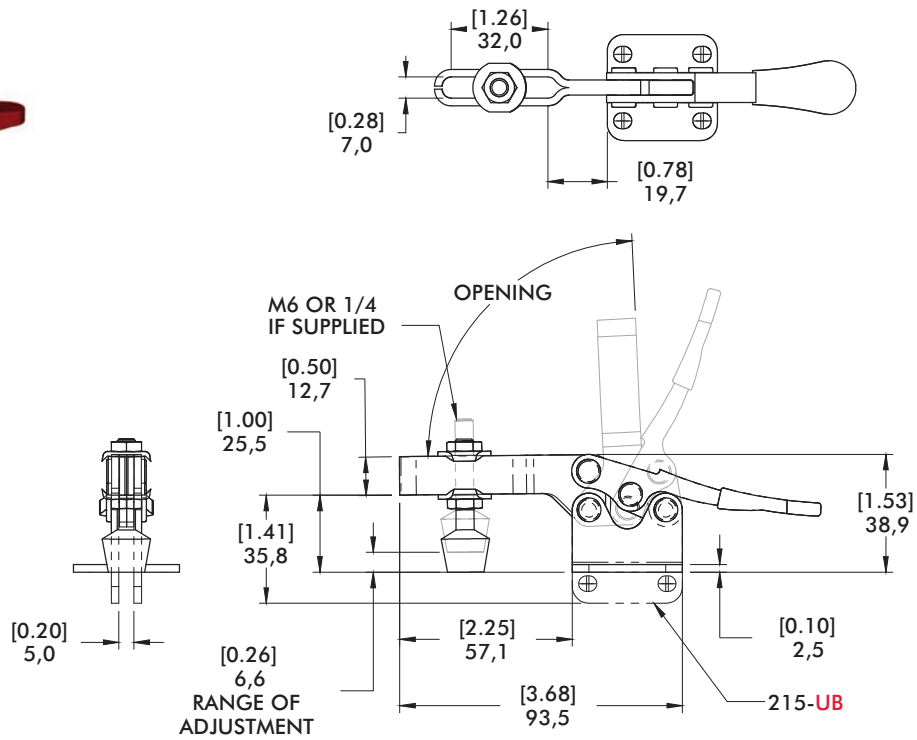
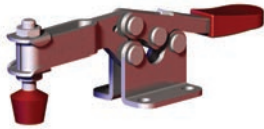


Model	X	X1	X2	Y	‡HC1	‡HC2	‡EF(X1):AF	‡EF(X2):AF
U/UB		[1.00] 25,4	[2.25] 57		[200lbf.] 890N	[80lbf.] 360N	9:1	4:1
USS	[0.22] 5,6			[2.72] 69	[250lbf.] 1110N	[110lbf.] 490N		
S		[1.63] 41,4	[2.88] 73		[200lbf.] 890N		6:1	

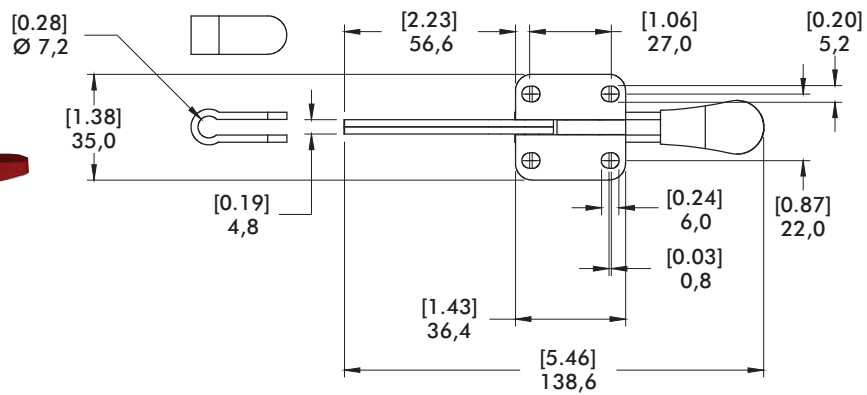
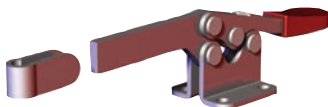
Dimensions shown "mm [inch]" ‡ HC = Holding Capacity, EF = Exerting Force, AF = Applied Force
Refer to page 19.4 for additional information.

Series 215 Standard Clamp Dimensions -U/-USS/-UB/-S

215-U[†]
Flanged Base
U-Bar



215-S
Flanged Base
Solid Bar



Series 225 Product Overview

Features:

- Low profile
- Stainless steel model furnished without plastic grip
- Available with DE-STA-CO® Toggle Lock Plus

Applications:

- Assembly
- Checking fixtures
- Closures
- Woodworking

Also Available:

See page 8.1 for accessories
Accommodates M8 or 5/16" spindle accessory

Covered under one year or more U.S./International Patents

225-U
Flanged Base
U-Bar



225-USS
Flanged Base, U-Bar,
Stainless Steel



225-UR
Flanged Base, U-Bar
with DE-STA-CO®
Toggle Lock
Plus



225-UB ⓘ
Straight Base
U Bar



225-UBSS ⓘ
Straight Base, U Bar,
Stainless Steel



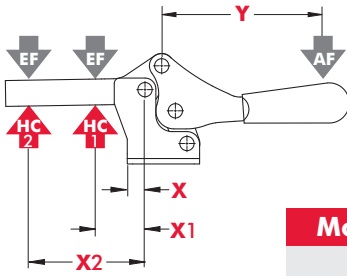
Note:
Clamps shown with included accessories.

Series 225 Technical Information

Model	Max. Holding Capacity	Clamp Bar Opening (+10°)	Handle Opening (+10°)	Weight	Accessories (Supplied)	
					Spindle Assembly	Flanged Washers
225-U	2220 N [500 lbf]	92°	70°	0,25kg [0.55lb]	225208-M	507107
225-USS	2760 N [600 lbf]				207943	507907
225-UR	2220 N [500 lbf]			0,31kg [0.69lb]	225208-M	507107
225-UB ⓘ					0,25kg [0.55lb]	207943
225-UBSS ⓘ	2760 N [600 lbf]					

ⓘ This item is available upon request

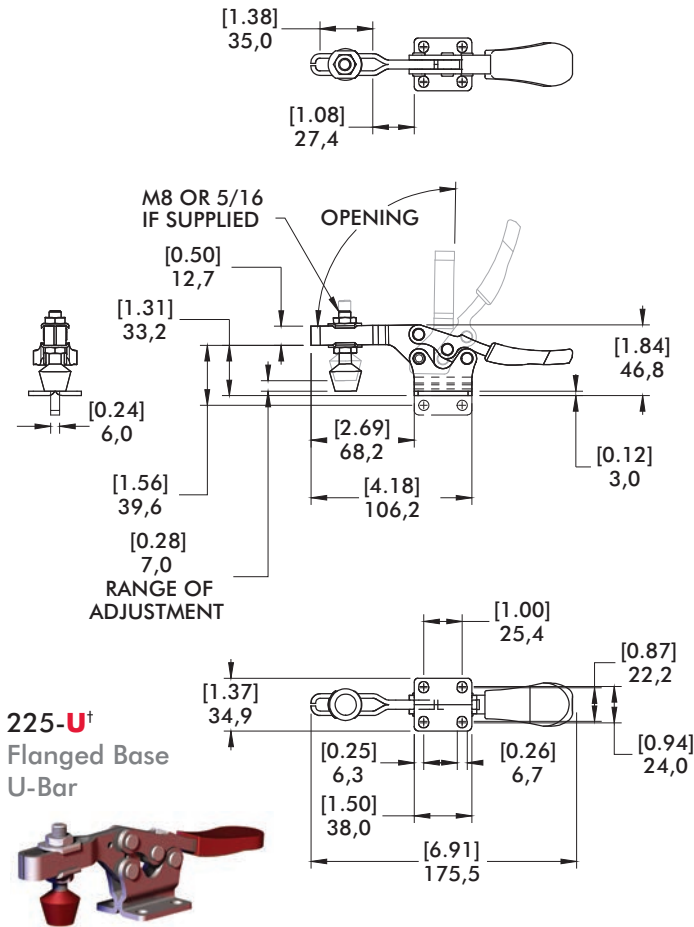
Series 225 Holding Capacities



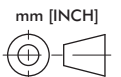
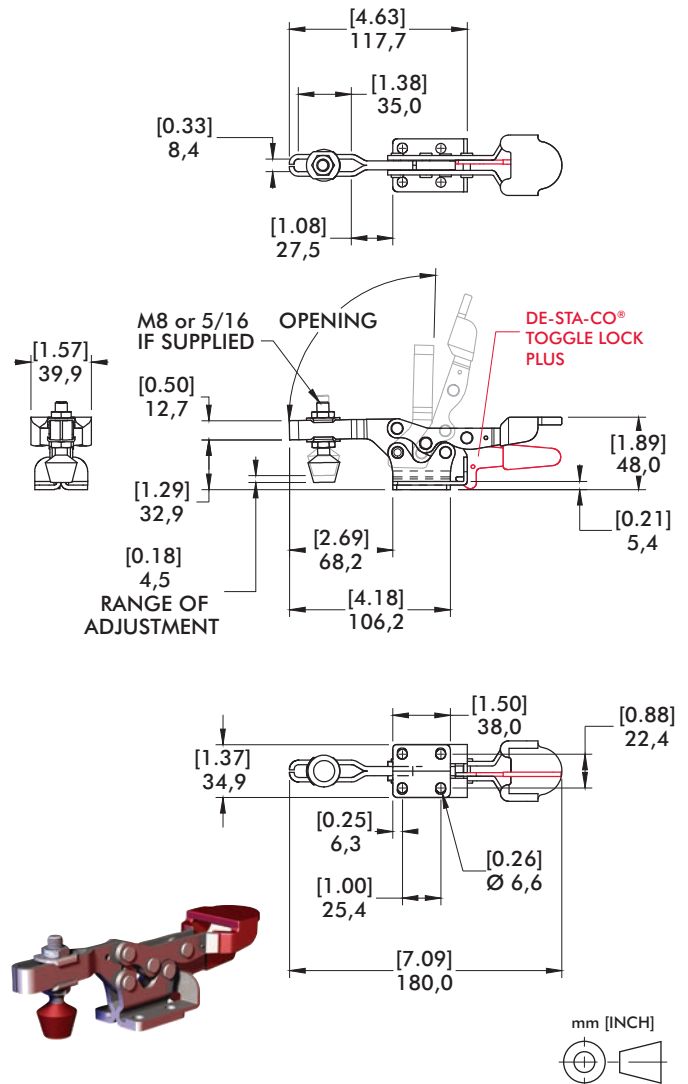
Model	X	X1	X2	Y	±HC1	±HC2	±EF(X1):AF	±EF(X2):AF
U					[500lbf.] 2220N	[250lbf.] 1110N		
USS	[0.12] 3,0	[1.25] 31,8	[2.50] 63,5	[3.56] 90,4	[600lbf.] 2760N	[300lbf.] 1340N	12:1	5:1
UR/UB					[500lbf.] 2220N	[250lbf.] 1110N		
UBSS					[600lbf.] 2760N	[300lbf.] 1340N		

Dimensions shown "mm [inch]" ± HC = Holding Capacity, EF = Exerting Force, AF = Applied Force
Refer to page 19.4 for additional information.

Series 225 Standard Clamp Dimensions -U/-USS-/UB-/UBSS



Series 225-UR Standard Clamp Dimensions



Series 235 Product Overview

Features:

- Low profile
- Available with DE-STA-CO® Toggle Lock Plus
- Available in stainless steel

Applications:

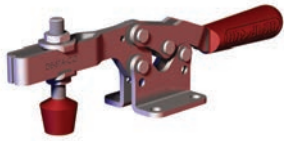
- Assembly
- Checking fixtures
- Welding
- Closures
- Woodworking

Also Available:

See page 8.1 for accessories
Accommodates M10 or 3/8" spindle accessory

Covered under one year or more U.S./International Patents

235-U
Flanged Base
U-Bar



235-USS
Flanged Base, U-Bar,
Stainless Steel



235-UR
Flanged Base, U-Bar
with DE-STA-CO®
Toggle Lock
Plus



235-UB ⓘ
Straight Base
U-Bar



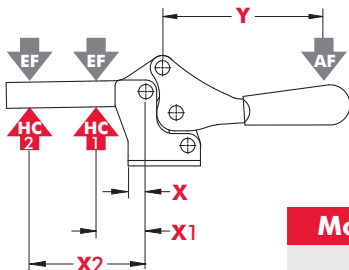
Note:
Clamps shown with included accessories.

Series 235 Technical Information

Model	Max. Holding Capacity	Clamp Bar Opening (+10°)	Handle Opening (+10°)	Weight	Accessories (Supplied)	
					Spindle Assembly	Flanged Washers
235-U	3340 N [750 lbf]	92°	70°	0,67kg [1.47lb]	240208-M	235106
235-USS	3780 N [850 lbf]				237943	235906
235-UR	3340 N [750 lbf]			0,74kg [1.64lb]	240208-M	235106
235-UB ⓘ				0,67kg [1.47lb]		

ⓘ This item is available upon request

Series 235 Holding Capacities

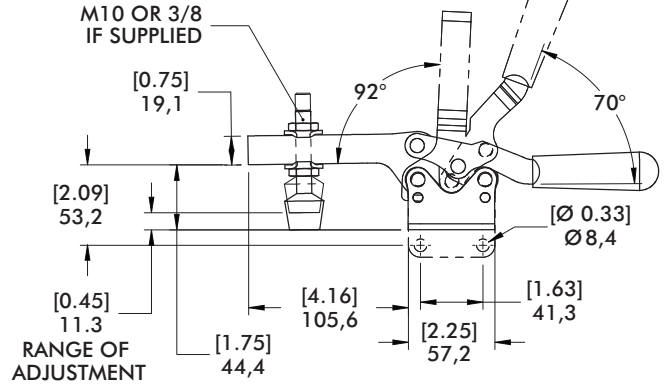
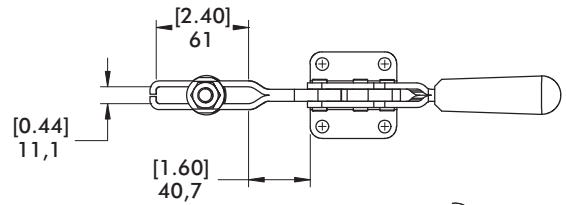
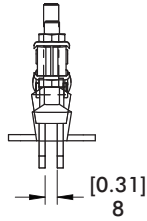
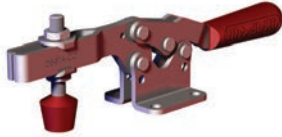


Model	X	X1	X2	Y	±HC1	±HC2	±EF(X1):AF	±EF(X2):AF
U					[750lbf.] 3340N	[300lbf.] 1330N		
USS	[0.25] 6,4	[1.75] 44,5	[4.13] 105	[5.75] 146	[850lbf.] 3780N	[360lbf.] 1600N	9:1	5:1
UR/UB					[750lbf.] 3340N	[300lbf.] 1330N		

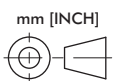
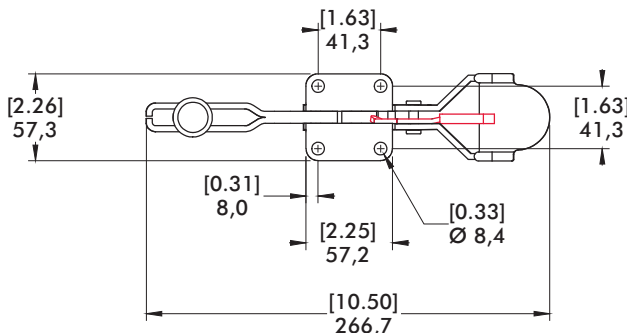
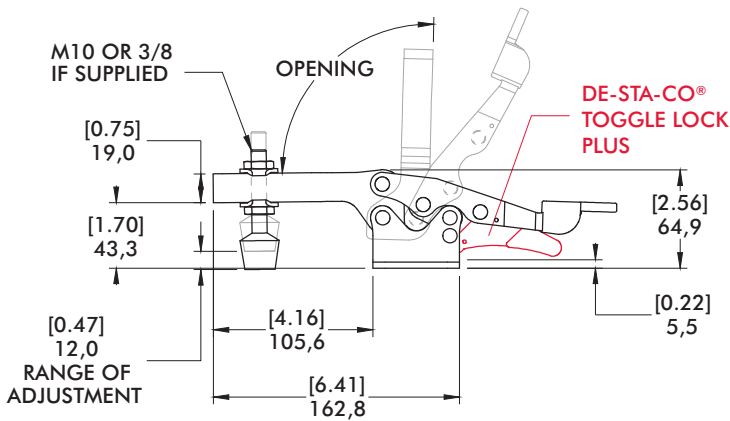
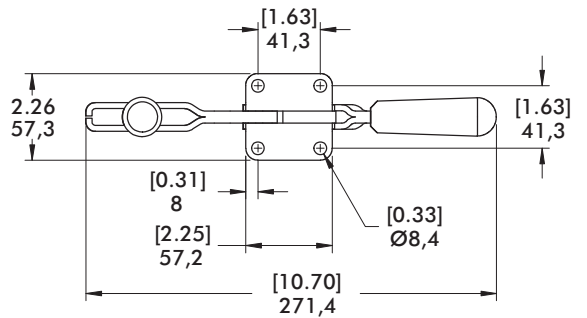
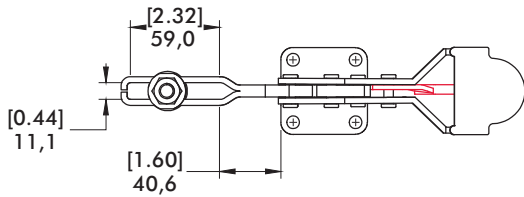
Dimensions shown "mm [inch]" ± HC = Holding Capacity, EF = Exerting Force, AF = Applied Force
Refer to page 19.4 for additional information.

Series 235 Standard Clamp Dimensions -U/-USS/-UR/-UB

235-U†
Flanged Base
U-Bar



Series 235-UR
Standard Clamp Dimensions



235-UR†
Flanged Base, U-Bar
with DE-STA-CO®
Toggle Lock
Plus



Series 305, 307, 309 Product Overview

Features:

- Compact design suitable for use in confined spaces
- Available with DE-STA-CO® Toggle Lock Plus
- Stainless steel models available

Applications:

- Assembly & Test
- Light Machining
- Closures
- Woodworking

Also Available:

See page 8.1 for accessories

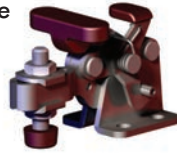
305-U
Flanged Base
U-Bar



305-USS
Flanged Base
U-Bar, Stainless
Steel



305-UR
Flanged Base,
U-Bar with
DE-STA-CO®
Toggle
Lock
Plus



307-U
Flanged Base
U-Bar



307-USS
Flanged Base
U-Bar, Stainless
Steel



307-UR
Flanged Base,
U-Bar with
DE-STA-CO®
Toggle
Lock
Plus



309-U
Flanged Base
U-Bar



309-USS
Flanged Base
U-Bar, Stainless
Steel



309-UR ⓘ
Flanged Base,
U-Bar with
DE-STA-CO®
Toggle
Lock
Plus



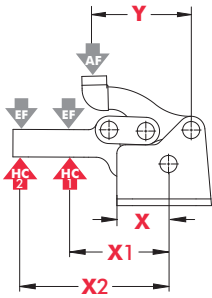
Note:
Clamps shown with included accessories.

Series 305, 307, 309 Technical Information

Model	Max. Holding Capacity	Clamp Bar Opening (+10°)	Handle Opening (+10°)	Weight	Accessories (Supplied)	
					Spindle Assembly	Flanged Washers
305-U	670 N [150 lbf]	90°	170°	0,06kg [0.13lb]	305208-M	102111
305-USS	900 N [200 lbf]				201943	102911
305-UR	670 N [150 lbf]				305208-M	102111
307-U	1560 N [350 lbf]	92°	173°	0,24kg [0.54lb]	307208-M	507107
307-USS					207943	507907
307-UR					307208-M	507107
309-U	3340 N [750 lbf]	90°	168°	1,30kg [0.59lb]	309208	235106
309-USS					237943	235906
309-UR ⓘ					309208	235106

ⓘ This item is available upon request

Series 305, 307, 309 Holding Capacities

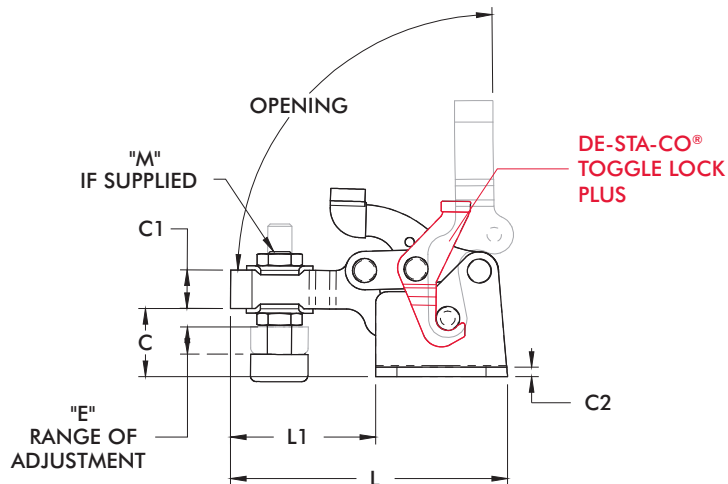
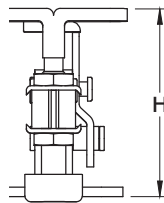
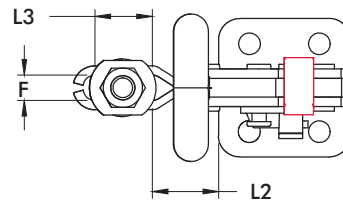


Model	X	X1	X2	Y	±HC1	±HC2	±EF(X1):AF	±EF(X2):AF
305-U/UR	[0.58] 14,6	[1.38] 35	[1.88] 47,7	[1.14] 29	[150lbf.] 670N	[110lbf.] 490N	3:1	2:1
305-USS					[200lbf.] 900N	[150lbf.] 670N		
307-U/UR/USS	[0.94] 24	[1.88] 47,7	[2.50] 63,5	[1.77] 45	[350lbf.] 1560N	[260lbf.] 1160N	4:1	
309-U/UR/USS	[1.34] 34	[2.50] 63,5	[3.50] 89	[2.70] 68,5	[750lbf.] 3340N	[530lbf.] 2360N		

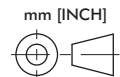
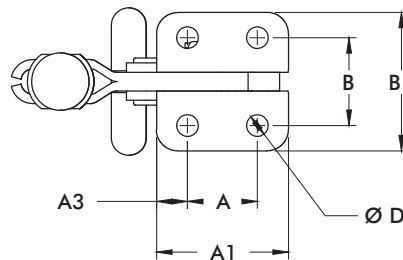
Dimensions shown "mm [inch]" ±HC = Holding Capacity, EF = Exerting Force, AF = Applied Force
Refer to page 19.4 for additional information.

Series 305, 307, 309 Standard Clamp Dimensions -U/-USS/-UR

305-U[†]
Flanged Base
U-Bar



307-UR[†]
Flanged Base,
U-Bar with
DE-STA-CO[®]
Toggle
Lock
Plus



Model	A	A1	A3	B	B1	C	C1	C2	D	F	H	L	L1	L2	L3	M
305-U/UR	[0.53] 13,5	[1.035] 26,3	[0.25] 6,4	[0.63] 16,0	[1.02] 25,9	[0.48] 12,2	[0.31] 7,9	[0.08] 2,0	[0.18] 4,6	[0.21] 5,3	[1.43] 36,3	[2.21] 56,1	[1.19] 30,2	[0.51] 13,0	[0.50] 12,7	[#10] M5
307-U/UR	[0.91] 23,1	[1.72] 43,7	[0.40] 10,2	[1.14] 29,0	[1.80] 45,7	[0.89] 22,6	[0.50] 12,7	[0.12] 3,0	[0.28] 7,1	[0.33] 8,4	[2.36] 59,9	[3.61] 91,7	[1.89] 48,0	[0.86] 21,8	[0.75] 19,1	[5/16] M8
309-U/UR	[1.38] 35,1	[2.52] 64,0	[0.58] 14,7	[1.50] 38,1	[2.47] 62,7	[1.31] 33,3	[0.75] 19,1	[0.12] 3,0	[0.33] 8,4	[0.44] 10,4	[3.53] 89,7	[5.19] 131,8	[2.68] 68,1	[1.28] 32,5	[1.06] 26,9	[3/8-16] M10

Series 206 Product Overview

Features:

- All stainless steel construction
- Offers good bar clearance under clamping bar while maintaining low profile

Applications:

- Assembly
- Chemical processing
- Closures
- Light duty clamping

Also Available:

See page 8.1 for accessories
Accommodates M4 or #8 spindle accessory

206-SS
Flanged Base
Low U-Bar,
Stainless Steel

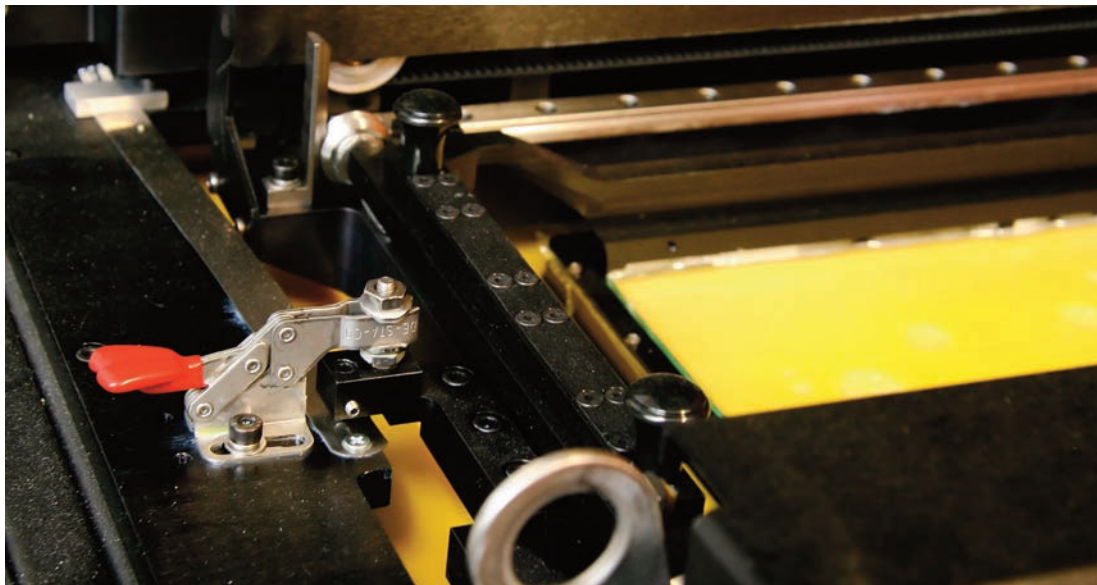
206-HSS
Flanged Base
High U-Bar,
Stainless Steel



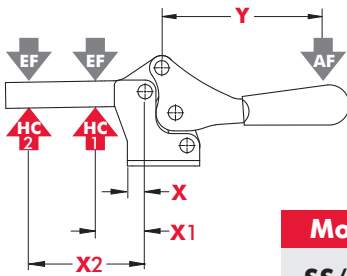
Series 206 Technical Information

Model	Max. Holding Capacity	Clamp Bar Opening (+10°)	Handle Opening (+10°)	Weight	Accessories (Supplied)	
					Spindle Assembly	Flanged Washers
206-SS	440 N [100 lbf]	90°	90°	0,03kg [0.07lb]	205943	105906
206-HSS						

Model 206-HSS shown securing a platen on a prototyping machine.



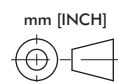
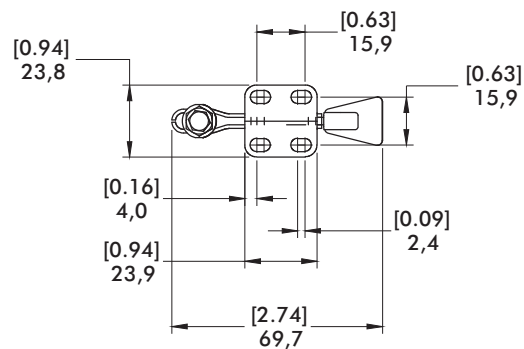
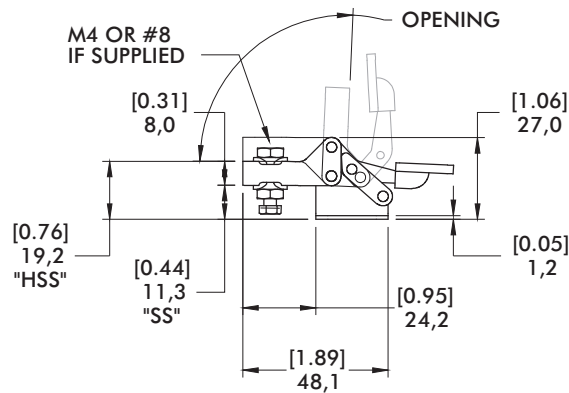
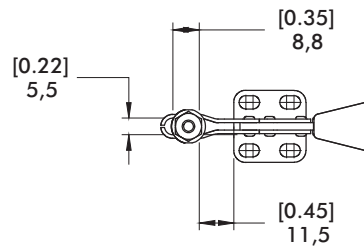
Series 206 Holding Capacities



Model	X	X1	X2	Y	±HC1	±HC2	±EF(X1):AF	±EF(X2):AF
SS/HSS	[0.20] 5	[0.43] 11	[1.06] 27	[1.14] 29	[100lbf.] 440N	[50lbf.] 220N	5:1	3:1

Dimensions shown "mm [inch]" ± HC = Holding Capacity, EF = Exerting Force, AF = Applied Force
Refer to page 19.4 for additional information.

Series 206 Standard Clamp Dimensions -SS/-HSS



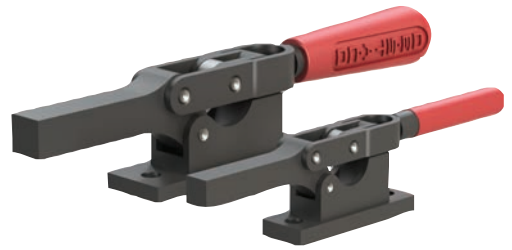
Series 5305, 5310 Product Overview

Features:

- Solid clamping arm may be modified to suit requirements
- Hardened steel pivot pins and bushings provide long life
- Black oxide finish
- DE-STA-CO® Toggle Lock Plus versions available

Applications:

- Welding fixtures
- Assembly fixtures
- Light machining



5305/5310
Flanged Base



5305-B/5310-B
Solid Base



5305-R/5310-R
Flanged Base with DE-STA-CO® Toggle Lock Plus



5305-BR[ⓘ]/5310-BR[ⓘ]
Solid Base with DE-STA-CO® Toggle Lock Plus

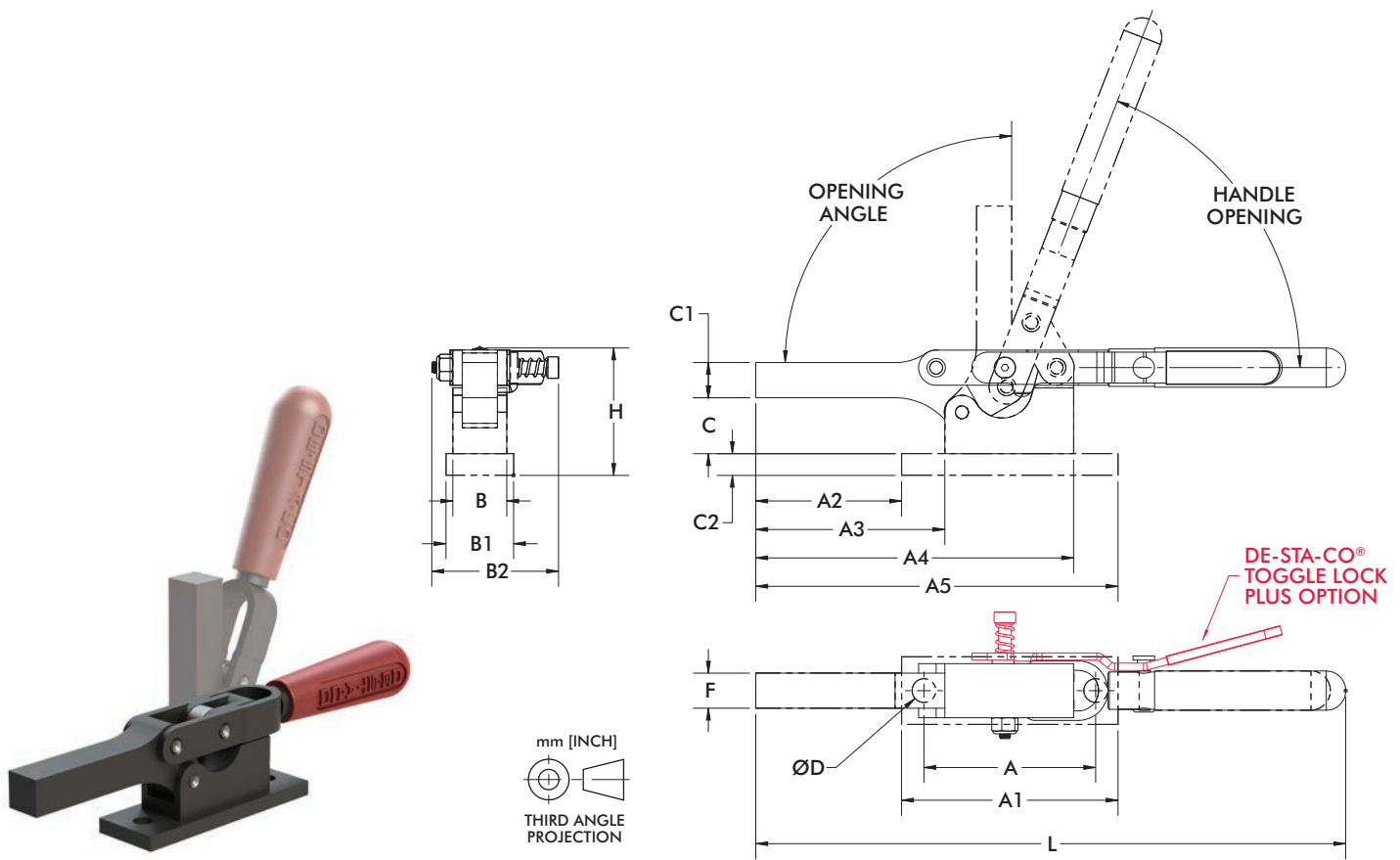


Series 5305, 5310 Technical Information

Model	Max. Holding Capacity	Clamp Bar Opening (+10°)	Handle Opening (+10°)	Weight
5305				[1.08lbs] 0,49kg
5305-B	[600lbf.] 2670N	90°	69°	[0.82lbs] 0,37kg
5305-R				[1.09lbs] 0,49kg
5305-BR [ⓘ]				[0.83lbs] 0,37kg
5310				[2.84lbs] 1,29kg
5310-B	[1300lbf.] 5780N	90°	69°	[2.24lbs] 1,02kg
5310-R				[2.87lbs] 1,30kg
5310-BR [ⓘ]				[2.27lbs] 1,03kg

[ⓘ] This item is available upon request

Series 5305, 5310 Standard Clamp Dimensions



Model	A	A1	A2	A3	A4	A5	B	B1	B2	C	C1	C2	D	F	H	L
5305	[2.50]	[3.15]	[2.12]	[2.75]	[4.63]	[5.27]	[0.79]	[0.98]	--	[0.81]	[0.51]	[0.31]	[0.35]	[0.51]	[1.51]	[8.36]
5305-R	63,5	80,0	53,8	69,9	117,6	133,9	20,1	24,9	[1.84] 46,7	20,6	13,0	7,9	8,9	13,0	38,4	212,4
5310	[3.63]	[4.63]	[2.63]	[3.63]	[6.25]	[7.25]	[1.13]	[1.50]	--	[1.00]	[0.75]	[0.31]	[0.41]	[0.79]	[2.00]	[11.13] 282,6
5310-R	92,2	117,6	66,8	92,2	158,8	184,2	28,7	38,1	[2.31] 58,7	25,4	19,1	7,9	10,4	20,1	50,8	[11.02] 279,8

Model	A3	A4	B2	C	C1	F	H	L
5305-B	[2.75]	[4.63]	--	[0.81]	[0.51]	[0.51]	[1.51]	[8.36]
5305-BR ⓘ	69,9	117,6	[1.84] 46,7	20,6	13,0	13,0	38,4	212,4
5310-B	[3.63]	[6.25]	--	[1.00]	[0.75]	[0.79]	[2.00]	[11.13] 282,6
5310-BR ⓘ	92,2	158,8	[2.31] 58,7	25,4	19,1	20,1	50,8	[11.02] 279,8

ⓘ This item is available upon request