

Heavy Duty Parallel Grippers (2-Jaw)

01/30/2025



info@cesehsa.com.mx

cesehsa.com.mx



Heavy Duty Parallel Grippers (2-Jaw)

01/30/2025

This catalog is a custom document and the products included is based on your unique selection from portions of complete catalogs that already exist. Please refer to our full catalogs for more information on products not included in this customized document.

Table of Contents

Heavy Duty Parallel Grippers (2-Jaw)

GR-HDP-1





Heavy Duty Parallel Grippers (2-Jaw)

01/30/2025

Table of Contents (continued)

PNEUMATIC HEAVY DUTY GRIPPERS

Product Overview

	Model	Stroke mm [in]	Grip Force N [lbf]	Operating Environment	Special Features	Page GR-HDP-#
DPW		19.05-63.5 [0.75-2.5]	222-801 [50-180]	IP66, Harsh Environment	High Impact Loading Gripper. Long Finger Lengths. Ideal for Long or Wide Part Handling. DIRECTCONNECT	3
RPB		101.6-203.2 [4.0-8.0]	2669 [600]	IP55 Using Purge Port & Shield Option, Harsh Environment	Gantry Systems, Heavy Payloads. Long Stroke. High Precision. Long Finger Lengths.	9
RPR		150-350 [5.9-13.78]	3520 [800]	IP65, Harsh Environment	Gantry Systems, Heavy Payloads. Long Finger Lengths. Rod Lock option	13
RPW		19.1-114.3 [0.75-4.5]	222-2091 [50-470]	IP54, Harsh Environment	High Impact Loading Gripper. Long Finger Lengths. Ideal for Long or Wide Part Handling.	17

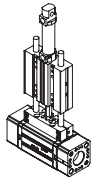
PNEUMATIC HEAVY DUTY GRIPPERS

2-Jaw Heavy-Duty Parallel Grippers | DIRECTCONNECT™ Mounting Compatibility Chart

Modular DIRECTCONNECT Mounting Style Examples:

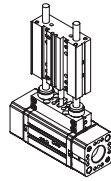
Products can be mounted in multiple positions. Refer to datasheet for complete info.

Slide to Gripper



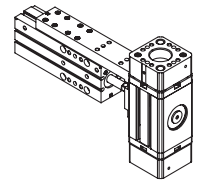
DLT Thruster Slide to DPW Parallel Gripper

Slide to Gripper



DLT Thruster Slide to DPW Parallel Gripper

Slide to Gripper



DLM Thruster Slide to DPW Parallel Gripper

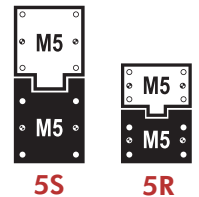
DIRECTCONNECT™

Mounting Compatibility Chart

DESTACO's DIRECTCONNECT™ technology, allows all components of the system—grippers, rotaries and slides—to be mounted together directly. Look for matching icons on product datasheets for mounting compatibility.

Note: The numbers in the cell represent the metric screw size and basic mounting pattern.

S=Square, R=Rectangle. ie; 5S = M5 Screw with square mounting pattern.



Catalog Models		Grippers	
		DPW-250	DPW-375, 500
Base Slides	DLB-06,08	3R	
	DLB-10,12,16		5R
	DLB-20,25		
Thruster Slides	DLT-06,08	3R	
	DLT-10,12,16	3R	5R
	DLT-20,25		5R
	DLM-07	3R	
	DLM-9,12	3R	5R

DPW SERIES

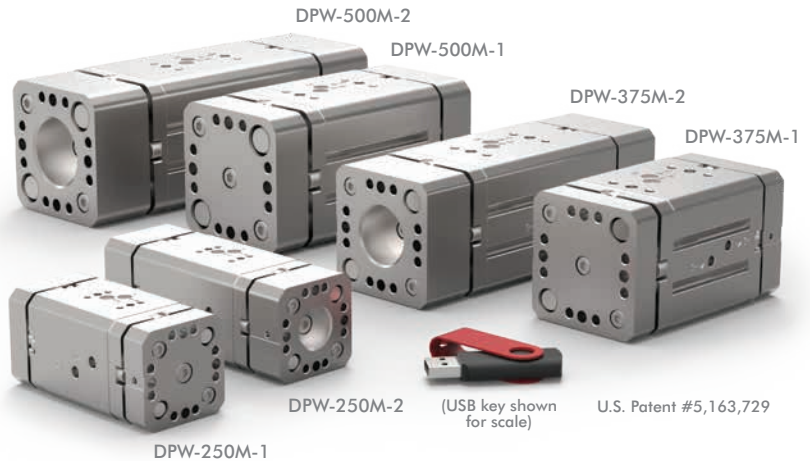
2-Jaw Heavy-Duty Parallel Grippers | Features and Benefits | How To Order

Features:

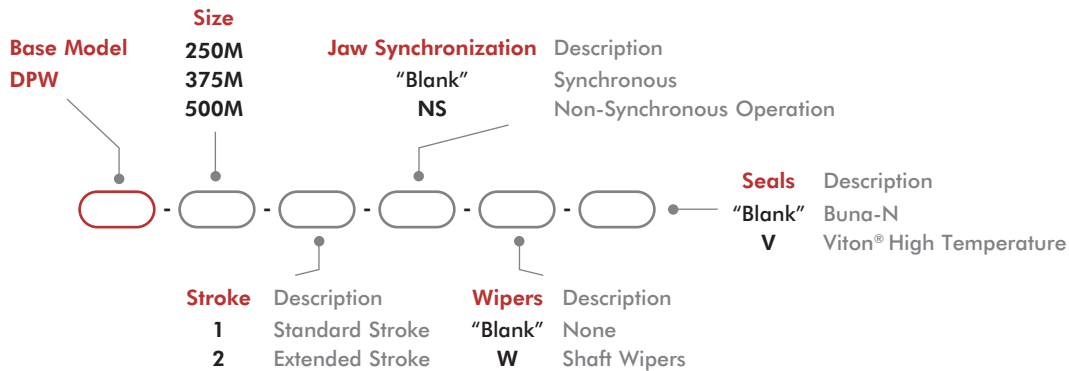
- Robust wide body gripper with DIRECTCONNECT mounting
- Grip force ranges from 222N thru 800N
- Strokes range from 19mm thru 63.5mm
- Rack and pinion design for smooth operation
- Jaws well supported to grip large and wide parts
- Multiple air ports where top ports can be manifolded
- Shaft wiper seals for harsh environments
- Optional non-synchronous jaw operation

Applications:

- Wide part gripping
- Gantry systems
- Harsh gripping environment
- Long finger applications



How To Order



Accessories

Sensor Accessories	Model Numbers	Part Number	Qty/Unit
PNP Magneto Resistive Sensor Short Barrel (with Qk. Disc.)*	All Models	OHSP-017	1-4†
NPN Magneto Resistive Sensor Short Barrel (with Qk. Disc.)*	All Models	OHSN-017	1-4†
PNP Magneto Resistive Sensor 90° Barrel (with Qk. Disc.)*	All Models	OHSP-011	1-4†
NPN Magneto Resistive Sensor 90° Barrel (with Qk. Disc.)*	All Models	OHSN-011	1-4†
PNP Inductive Sensor 3mm with Quick Disconnect*	All Models	OISP-019	1-2
NPN Inductive Sensor 3mm with Quick Disconnect.*	All Models	OISN-019	1-2
PNP Inductive Sensor 4mm with Quick Disconnect*	375M, 500M	OISP-014	1-2
NPN Inductive Sensor 4mm with Quick Disconnect*	375M, 500M	OISN-014	1-2
Quick Disconnect 2 Meter Cable Length*	All Models	CABL-010	1-4†
Quick Disconnect 5 Meter Cable Length*	All Models	CABL-013	1-4†

Pneumatic Accessories	Model Numbers	Part Number	Qty/Unit
Fail Safe Valve M5	All Models	OFSV-004	1
Adjustable Flow Control	All Models	VLVF-008	1-2

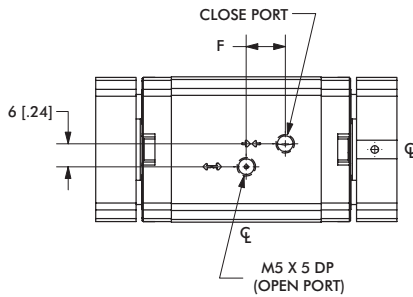
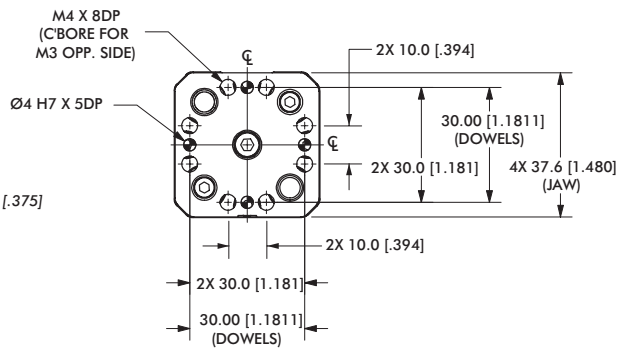
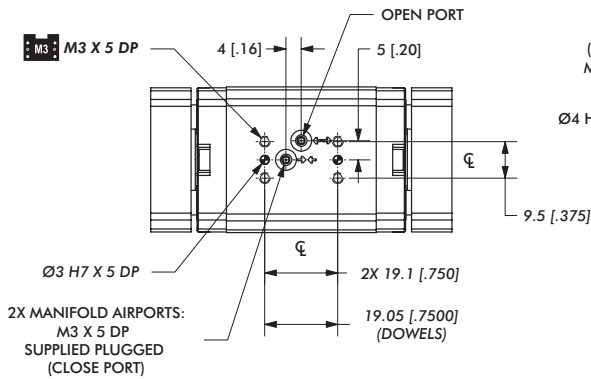
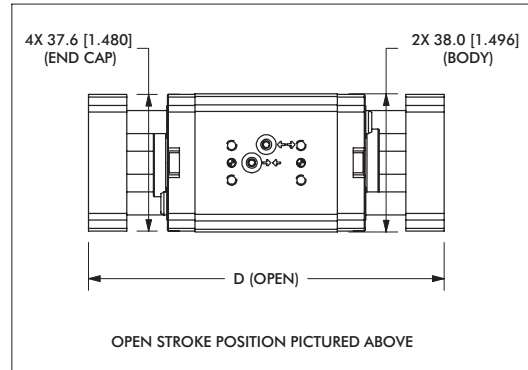
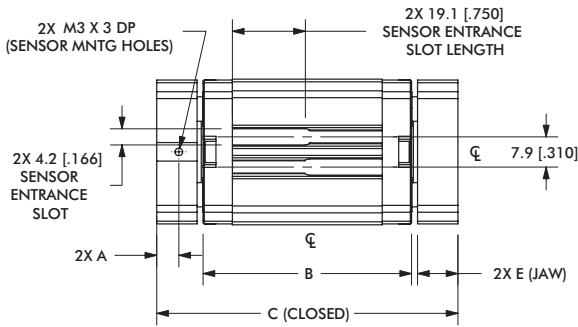
* Sensor and cable sold separately. † Except 250-1, 250-2, 1-2 only.

2-Jaw Heavy-Duty Parallel Grippers | Technical Specifications

Specifications	Units	250M-1	250M-2	375M-1	375-2
Total Rated Grip Force F @ 7 bar [100 psi]	N [lbf]	222 [50]		445 [100]	
Total Stroke	mm [in]	19.1 [0.75]	31.8 [1.25]	25.4 [1.00]	50.8 [2.00]
Weight	kg [lb]	0.30 [0.66]	0.39 [0.86]	0.81 [1.80]	1.20 [2.66]
Pressure Range	bar [psi]	1.5-7 [20-100]			
Ingress Protection Class (IP)		IP66			
Displacement	cm ³ [in ³]	3.8 [0.023]	6.3 [0.383]	11.3 [0.690]	22.6 [1.382]
Temperature Range (Buna-N seals)	°C [°F]	-35°~80° [-30°~180°]			
Temperature Range (Viton® seals)	°C [°F]	-30°~150° [-20°~300°]			
Actuation	sec	0.12	0.14	0.16	0.20
Accuracy	mm [in]	±0.08 [±0.003]			
Repeatability	mm [in]	±0.03 [±0.001]			
Valve to Actuate Double Acting		4-way, 2-position			

Specifications	Units	500M-1	500M-2
Total Rated Grip Force F @ 7 bar [100 psi]	N [lbf]	800 [180]	
Total Stroke	mm [in]	38.1 [1.50]	63.5 [2.50]
Weight	kg [lb]	1.48 [3.27]	2.0 [4.39]
Pressure Range	bar [psi]	1.5-7 [20-100]	
Ingress Protection Class (IP)		IP66	
Displacement	cm ³ [in ³]	30.2 [1.841]	50.3 [3.068]
Temperature Range (Buna-N seals)	°C [°F]	-35°~80° [-30°~180°]	
Temperature Range (Viton® seals)	°C [°F]	-30°~150° [-20°~300°]	
Actuation	sec	0.20	0.28
Accuracy	mm [in]	±0.08 [±0.003]	
Repeatability	mm [in]	±0.03 [±0.001]	
Valve to Actuate Double Acting		4-way, 2-position	

2-Jaw Heavy-Duty Parallel Grippers | Dimensions and Technical Specifications

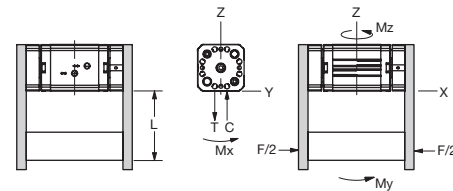
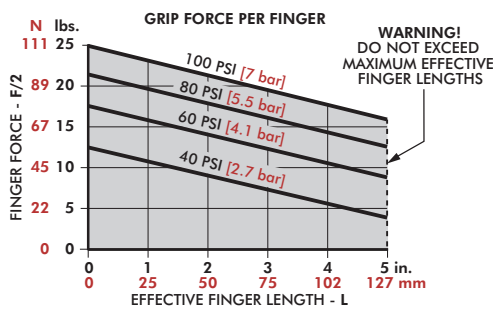


Model	A	B	C	D	E	F
DPW-250M-1	5.8 [0.227]	54.4 [2.140]	79 [3.09]	98 [3.85]	10.5 [0.414]	10 [0.40]
DPW-250M-2	7.3 [0.289]	67.1 [2.640]	104 [4.09]	136 [5.35]	16.9 [0.664]	12 [0.47]

Sensor Accessories	250M
Inductive Sensor Mtg Kit (3mm or 4mm)	OSMK-116

Seal Repair Kits	250M
Buna-N Seal Repair Kit	SLKT-337
Viton® Seal Repair Kit	SLKT-337V
Viton® Manifold Seal Kit	SLKT-197V
Shaft Wiper Seal Kit	SLKT-338

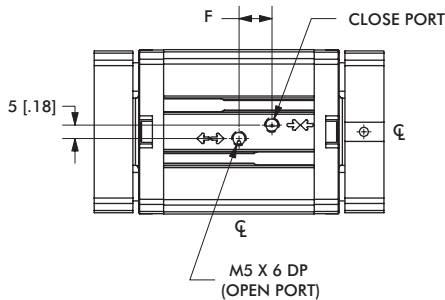
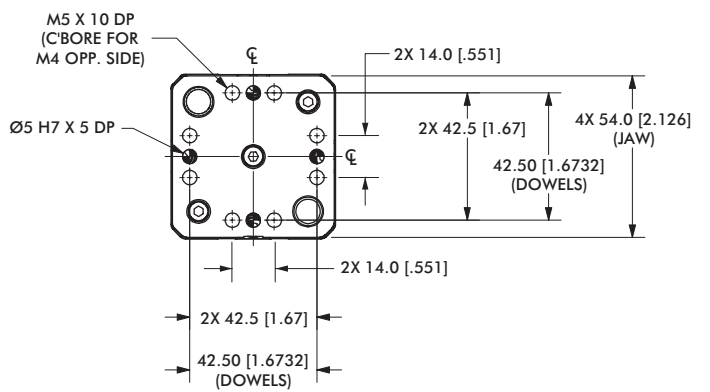
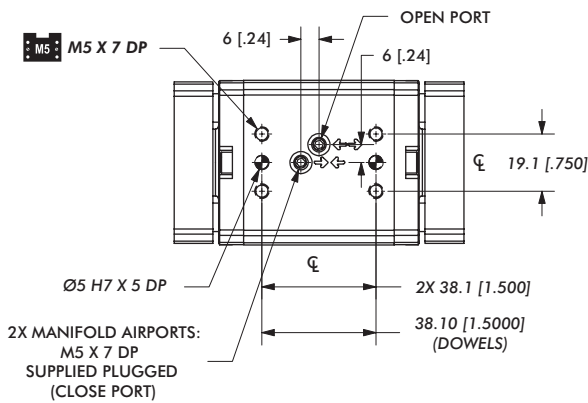
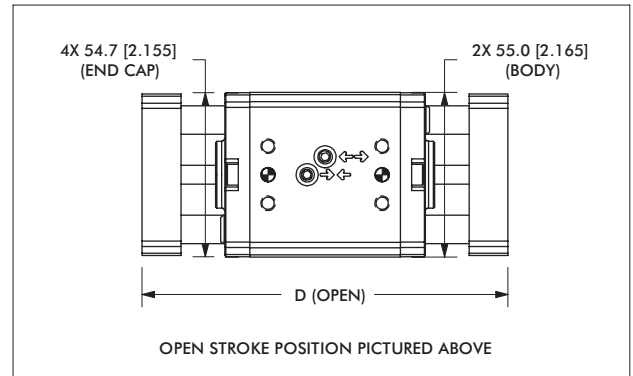
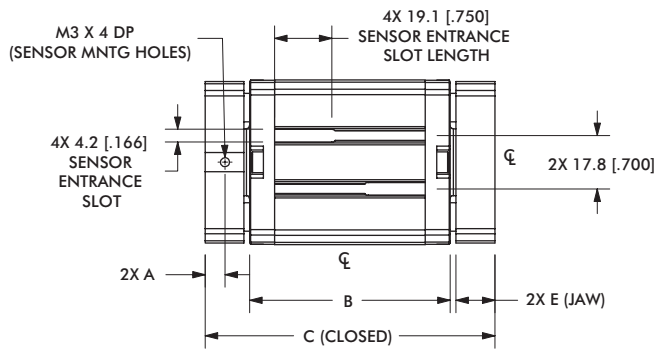
Loading Information



DPW-250M	Static	Dynamic
Maximum Tensile T	267 N [60 lbs]	53 N [12 lbs]
Maximum Compressive C	267 N [60 lbs]	53 N [12 lbs]
Maximum Moment M_x	14 Nm [120 in-lbs]	3 Nm [24 in-lbs]
Maximum Moment M_y	20 Nm [180 in-lbs]	4 Nm [36 in-lbs]
Maximum Moment M_z	14 Nm [120 in-lbs]	3 Nm [24 in-lbs]

*Capacities are per set of jaws and are not simultaneous

2-Jaw Heavy-Duty Parallel Grippers | Dimensions and Technical Specifications

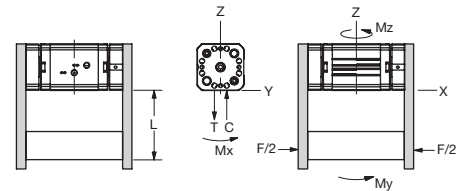
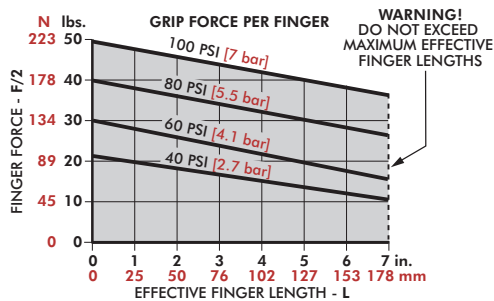


Model	A	B	C	D	E	F
DPW-375M-1	6.7 [0.262]	67.1 [2.640]	97 [3.81]	122 [4.81]	13.0 [0.512]	11 [0.43]
DPW-375M-2	11.7 [0.462]	92.5 [3.640]	147 [5.81]	198 [7.81]	25.7 [1.012]	12 [0.47]

Sensor Accessories	375M
Inductive Sensor Mtg Kit (3mm or 4mm)	OSMK-117

Seal Repair Kits	375M
Buna-N Seal Repair Kit	SLKT-339
Viton® Seal Repair Kit	SLKT-339V
Viton® Manifold Seal Kit	SLKT-199V
Shaft Wiper Seal Kit	SLKT-340

Loading Information

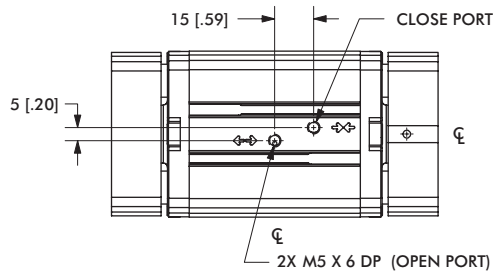
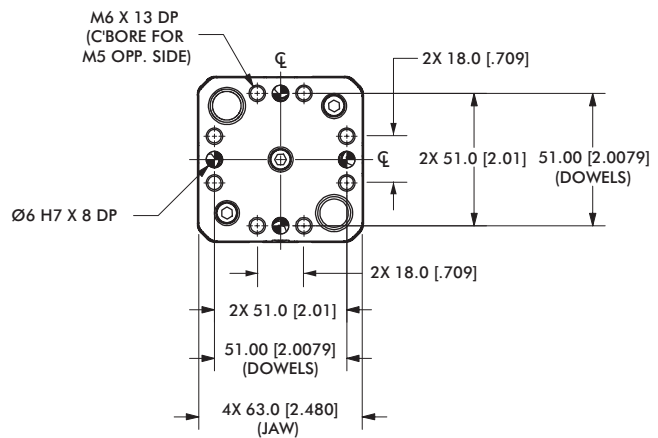
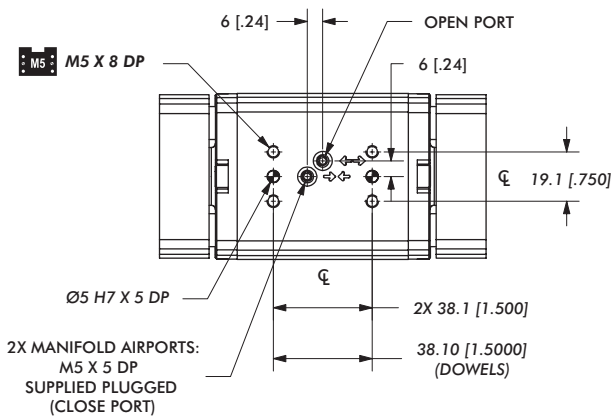
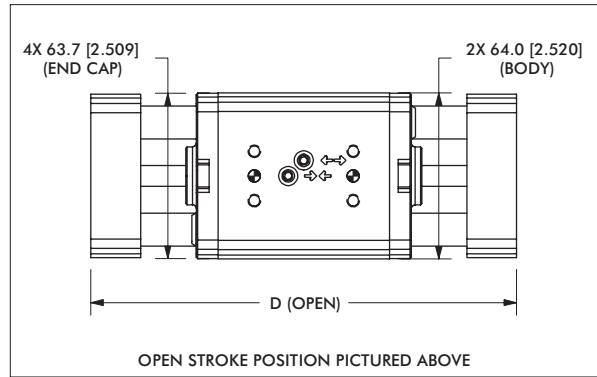
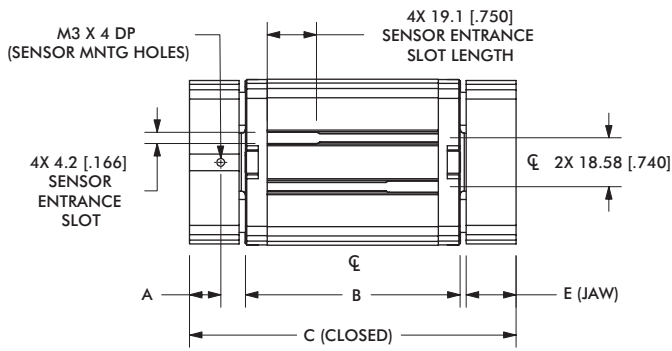


DPW-375M	Static	Dynamic
Maximum Tensile T	534 N [120 lbs]	107 N [24 lbs]
Maximum Compressive C	534 N [120 lbs]	107 N [24 lbs]
Maximum Moment M _x	24 Nm [210 in-lbs]	5 Nm [42 in-lbs]
Maximum Moment M _y	34 Nm [300 in-lbs]	7 Nm [60 in-lbs]
Maximum Moment M _z	24 Nm [210 in-lbs]	5 Nm [42 in-lbs]

*Capacities are per set of jaws and are not simultaneous

DPW-500M

2-Jaw Heavy-Duty Parallel Grippers | Dimensions and Technical Specifications

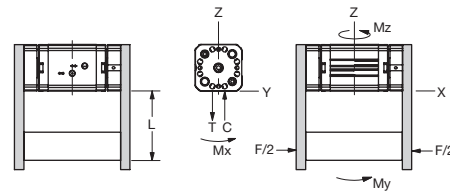
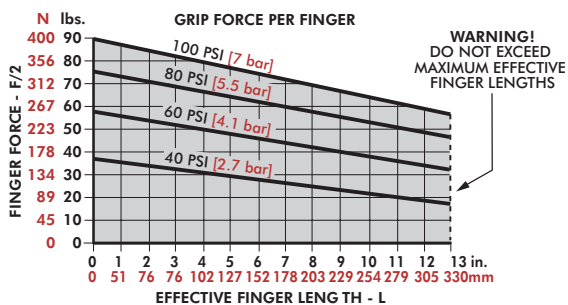


Model	A	B	C	D	E
DPW-500M-1	12.1 [0.475]	82.8 [3.260]	125 [4.96]	164 [6.46]	19.2 [0.755]
DPW-500M-2	14.9 [0.585]	108.2 [4.260]	177 [6.96]	240 [9.46]	31.9 [1.255]

Sensor Accessories	500M
Inductive Sensor Mtg Kit (3mm or 4mm)	OSMK-118

Seal Repair Kits	500M
Buna-N Seal Repair Kit	SLKT-341
Viton® Seal Repair Kit	SLKT-341V
Viton® Manifold Seal Kit	SLKT-199V
Shaft Wiper Seal Kit	SLKT-342

Loading Information



DPW-500M	Static	Dynamic
Maximum Tensile T	2668 N [600 lbs]	267 N [60 lbs]
Maximum Compressive C	2668 N [600 lbs]	267 N [60 lbs]
Maximum Moment M_x	68 Nm [600 in-lbs]	7 Nm [60 in-lbs]
Maximum Moment M_y	102 Nm [900 in-lbs]	10 Nm [90 in-lbs]
Maximum Moment M_z	68 Nm [600 in-lbs]	7 Nm [60 in-lbs]

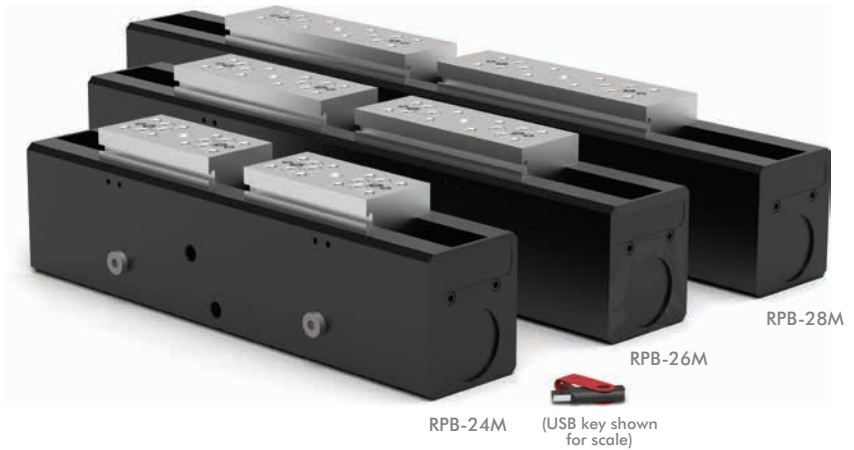
*Capacities are per set of jaws and are not simultaneous

RPB SERIES

2-Jaw Heavy-Duty Parallel Grippers | Features and Benefits | How to Order

Features:

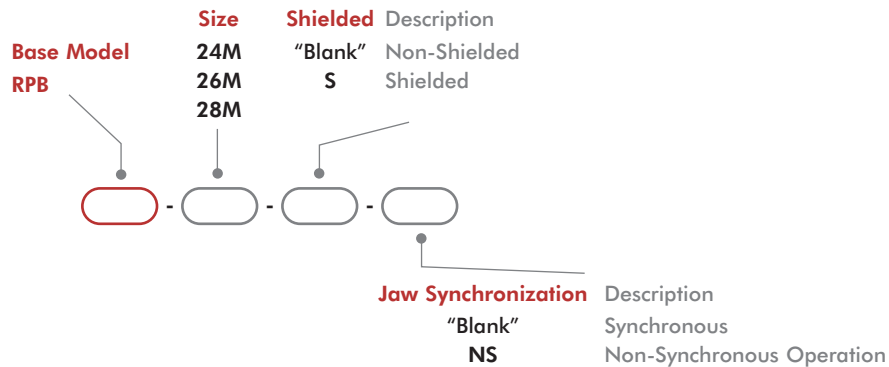
- High accuracy, sealed, low friction roller bearing, long stroke gripper
- Grip force of 2669N with strokes from 101 mm [3.98 in] to 203 mm [7.99 in] (maintains full grip force even at long finger lengths)
- Rack and pinion design for high repeatability
- Purge ports maintain long term smooth operation in harsh environments.
- Viton® seals for extended temperature operating range.
- Optional non-synchronous jaw operation
- Part sensing using up to 4 inductive sensors



Applications:

- Foundry applications
- Gantry systems
- Large heavy part handling
- Long finger lengths

RPB Series How To Order



RPB Series Accessories

Sensor Accessories	Model Numbers	Part Number	Qty/Unit
12mm Sensor Mounting Kit (mounts 2 sensors)	24, 26, 28	OSMK-078	1-2
12mm Sensor Mounting Kit (mounts 2 sensors)	24-S, 26-S, 28-S	OSMK-079	1-2
12mm PNP Inductive Sensor with Quick Disconnect*	All Models	OISP-017	1-4
12mm NPN Inductive Sensor with Quick Disconnect*	All Models	OISN-017	1-4
Quick Disconnect 2 Meter Cable Length*	All Models	CABL-014	1-4

Pneumatic Accessories	Model Numbers	Part Number	Qty/Unit
Fail Safe Valve (Metric)	All Models	OFSV-006	1

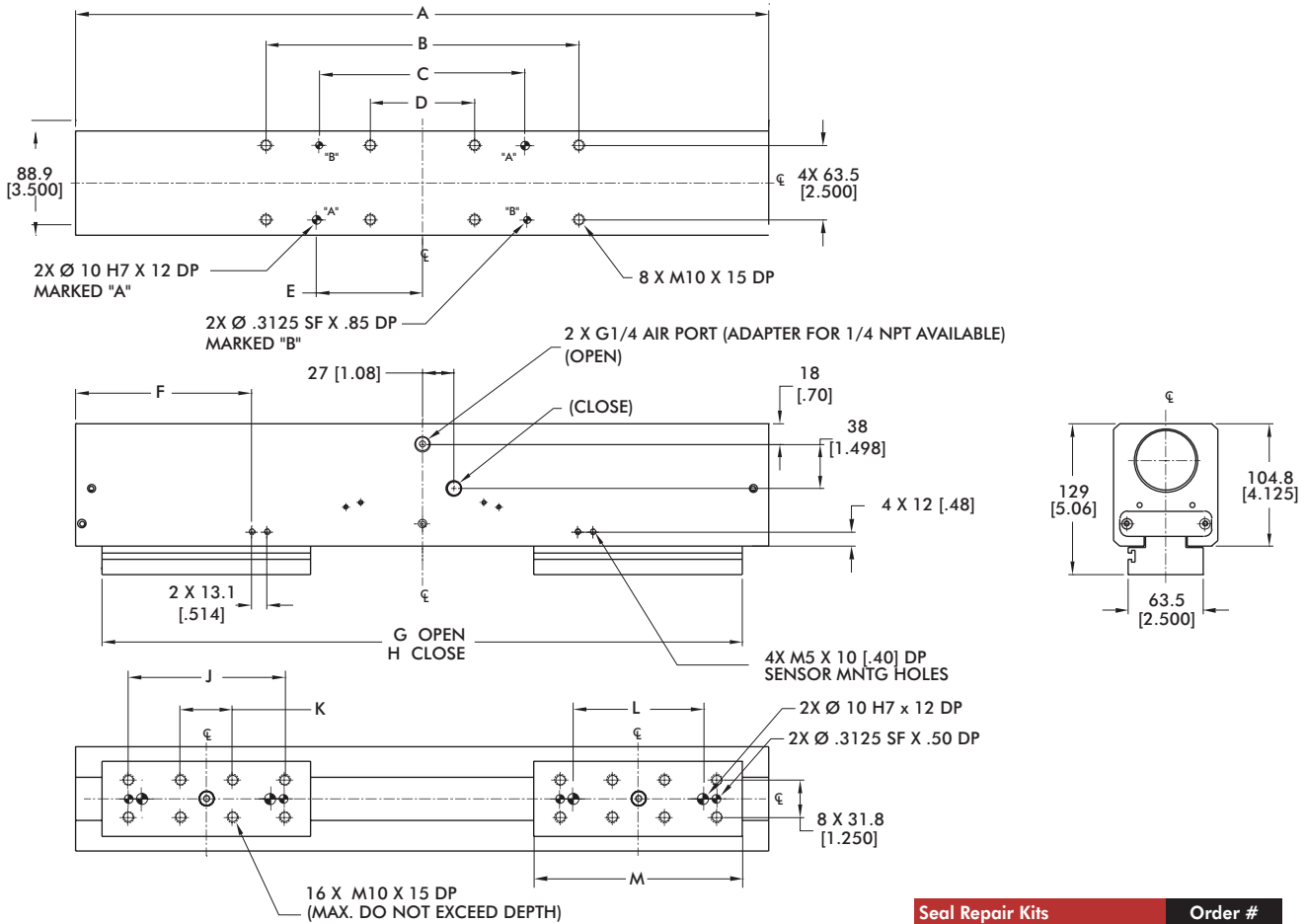
*Sensor and cable sold separately.

2-Jaw Heavy-Duty Parallel Grippers | Technical Specifications

Specifications	Units	24M, 24M-S	26M, 26M-S	28M, 28M-S
Total Rated Grip Force F @ 7 bar [100 psi]	N [lbf]	2669 [600]		
Total Stroke	mm [in]	101.6 [4]	152.4 [6]	203.2 [8]
Weight	kg [lb]	10.9 [24]	14.5 [32]	19.1 [42]
Pressure Range	bar [psi]	1.4-7 [20-100]		
Cylinder Bore Ø	mm [in]	50.8 [2.000]		
Displacement	cm ³ [in ³]	204.8 [12.5]	308.1 [18.8]	410 [25]
Temperature Range (Viton® seals)	°C [°F]	-30°~150° [-20°~300°]		
Actuation	sec	0.5	0.75	1.00
Accuracy	mm [in]	±0.13 [±0.005]		
Repeatability	mm[in]	±0.05 [±0.0020]		
Valve to Actuate Double Acting		4-way, 2-position		

RPB-24M, -26M, -28M

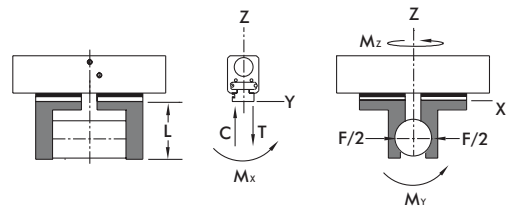
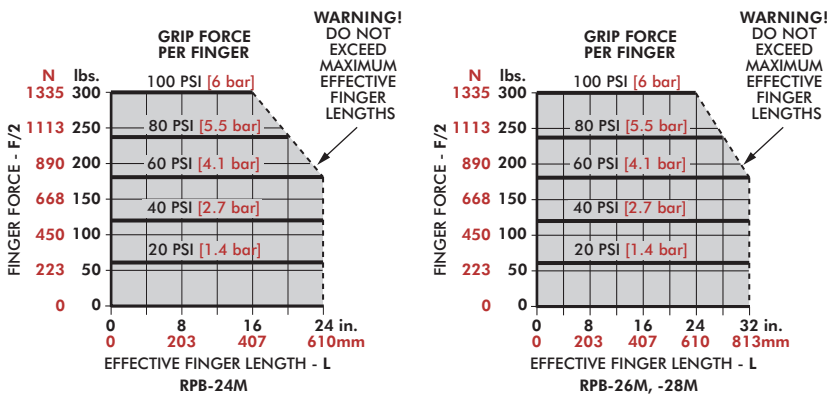
2-Jaw Heavy-Duty Parallel Grippers | Dimensions and Technical Specifications



Seal Repair Kits	Order #
Viton® Seal Repair Kit	SLKT-123V

Model	A	B	C	D	E	F	G	H	J	K	L	M
RPB-24M	438.2 [17.250]	152.4 [6.000]	101.6 [4.000]	50.8 [2.000]	50.8 [2.000]	98.9 [3.90]	394 [15.50]	292 [11.50]	101.6 [4.000]	38.1 [1.500]	82.0 [3.2284]	127.0 [5.000]
RPB-26M	590.5 [23.250]	266.7 [10.500]	177.8 [7.000]	88.9 [3.500]	88.9 [3.500]	150 [5.90]	546 [21.50]	394 [15.50]	133.4 [5.250]	44.5 [1.750]	112.0 [4.4094]	178 [7.00]
RPB-28M	743.0 [29.250]	381.0 [15.000]	254.0 [10.000]	127.0 [5.000]	127.0 [5.000]	188 [7.39]	699 [27.50]	495 [19.50]	165.1 [6.500]	50.8 [2.000]	140.0 [5.5118]	229 [9.00]

Loading Information

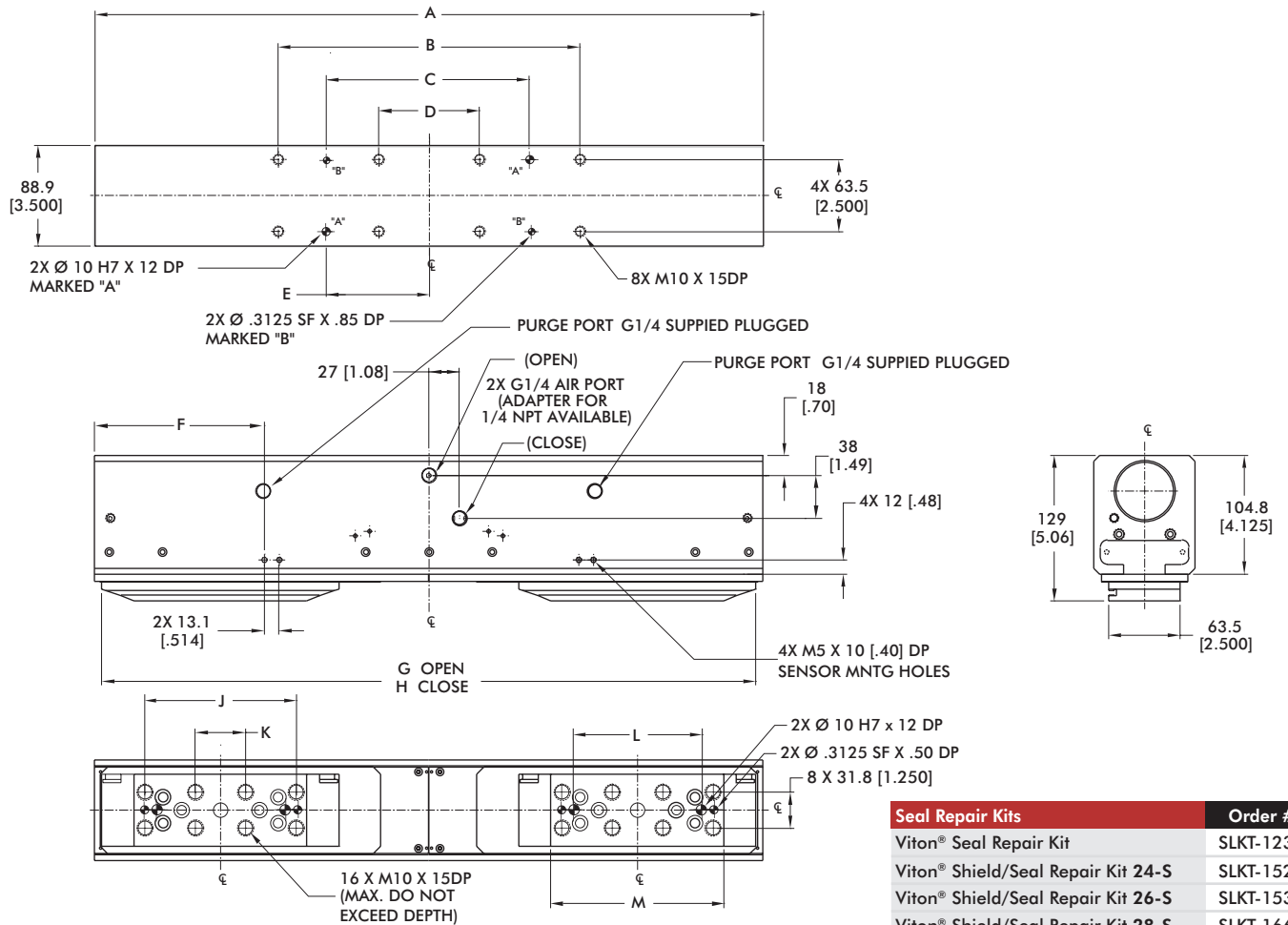


Static Load	-24M	-26M, -28M
Maximum Tensile T	6672 N [1500 lbs]	8896 N [2000 lbs]
Maximum Compressive C	6672 N [1500 lbs]	8896 N [2000 lbs]
Maximum Moment M _x	339 Nm [3000 in-lbs]	396 Nm [3500 in-lbs]
Maximum Moment M _y	339 Nm [3000 in-lbs]	396 Nm [3500 in-lbs]
Maximum Moment M _z	339 Nm [3000 in-lbs]	396 Nm [3500 in-lbs]

*Capacities are per set of jaws and are not simultaneous

RPB-24M-S, -26M-S, -28M-S

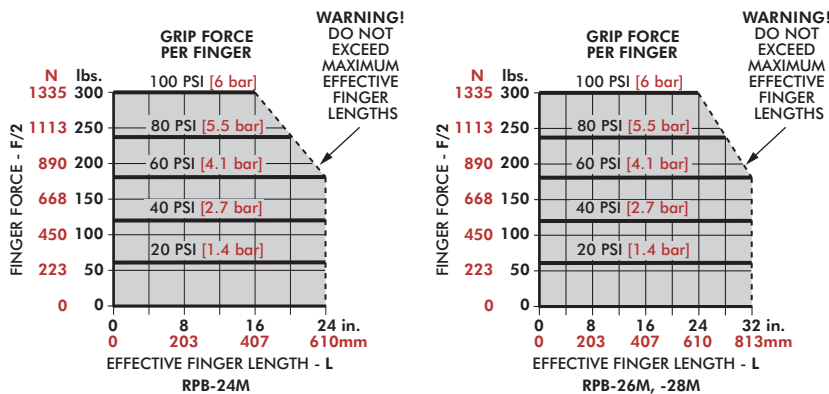
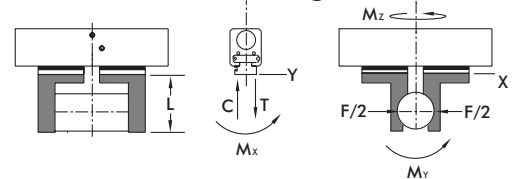
2-Jaw Heavy-Duty Parallel Grippers | Dimensions and Technical Specifications



Seal Repair Kits	Order #
Viton® Seal Repair Kit	SLKT-123V
Viton® Shield/Seal Repair Kit 24-S	SLKT-152V
Viton® Shield/Seal Repair Kit 26-S	SLKT-153V
Viton® Shield/Seal Repair Kit 28-S	SLKT-166V

Model	A	B	C	D	E	F	G	H	J	K	L	M
RPB-24M-S	438.2 [17.250]	152.4 [6.000]	101.6 [4.000]	50.8 [2.000]	50.8 [2.000]	98.9 [3.90]	427 [16.82]	325 [12.79]	101.6 [4.000]	38.1 [1.500]	82.0 [3.2284]	124 [4.88]
RPB-26M-S	590.5 [23.250]	266.7 [10.500]	177.8 [7.000]	88.9 [3.500]	88.9 [3.500]	150 [5.90]	578 [22.75]	425 [16.75]	133.4 [5.250]	44.5 [1.750]	112.0 [1.4094]	153 [6.03]
RPB-28M-S	743.0 [29.250]	381.0 [15.000]	254.0 [10.000]	127.0 [5.000]	127.0 [5.000]	188 [7.39]	724 [28.50]	521 [20.50]	165.1 [6.500]	50.8 [2.000]	140.0 [5.5118]	197 [7.77]

Loading Information



Static Load	-24M	-26M, -28M
Maximum Tensile T	6672 N [1500 lbs]	8896 N [2000 lbs]
Maximum Compressive C	6672 N [1500 lbs]	8896 N [2000 lbs]
Maximum Moment M _x	339 Nm [3000 in-lbs]	396 Nm [3500 in-lbs]
Maximum Moment M _y	339 Nm [3000 in-lbs]	396 Nm [3500 in-lbs]
Maximum Moment M _z	339 Nm [3000 in-lbs]	396 Nm [3500 in-lbs]

*Capacities are per set of jaws and are not simultaneous

RPR SERIES

2-Jaw Heavy-Duty Parallel Grippers | Features and Benefits | How To Order

Features:

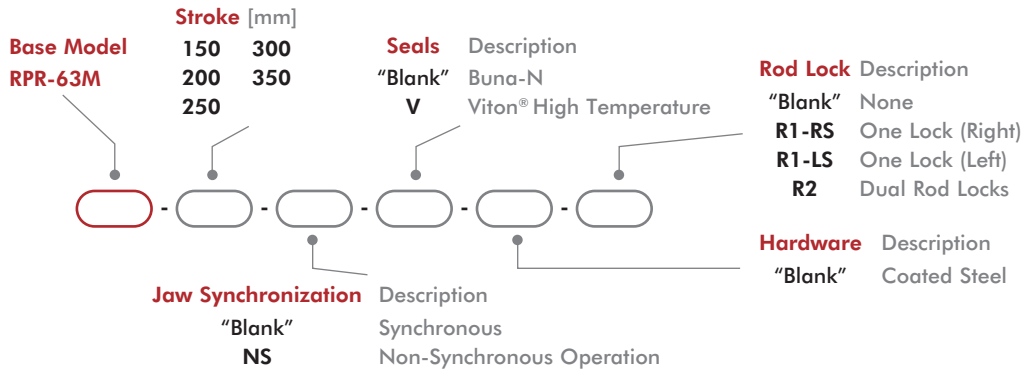
- High rigidity and robust long stroke gripper
- Grip force of 3250 N [791 lbf] with strokes from 150 mm [5.91 in] to 350 mm [13.78 in]
- Rack and Pinion for synchronized jaw operation
- Optional Integral Rod Lock that lock jaws in position upon air loss
- Shaft wiper seals protects internal bearings from contaminants
- Optional Viton® seals for high temp applications
- Customized sensing and linear encoder solutions available

Applications:

- Foundry applications
- Gantry Systems
- Large heavy part handling



How To Order



Accessories

Sensor Accessories	Part Number	Qty/Unit
Sensor Mounting Kit for Imperial & Metric Units (mounts 2 sensors)	OSMK-131	1
12mm PNP Inductive Sensor with Quick Disconnect*	OISP-017	1-2
12mm NPN Inductive Sensor with Quick Disconnect*	OISN-017	1-2
Quick Disconnect 2 Meter Cable Length*	CABL-014	1-2
Quick Disconnect 5 Meter Cable Length*	CABL-018	1-2

Pneumatic Accessories	Part Number	Qty/Unit
Fail Safe Valve 1/4 BSPP	OFSV-006	1
Buna-N Seal Repair Kit	SLKT-452	1
Viton® Seal Repair Kit	SLKT-453	1

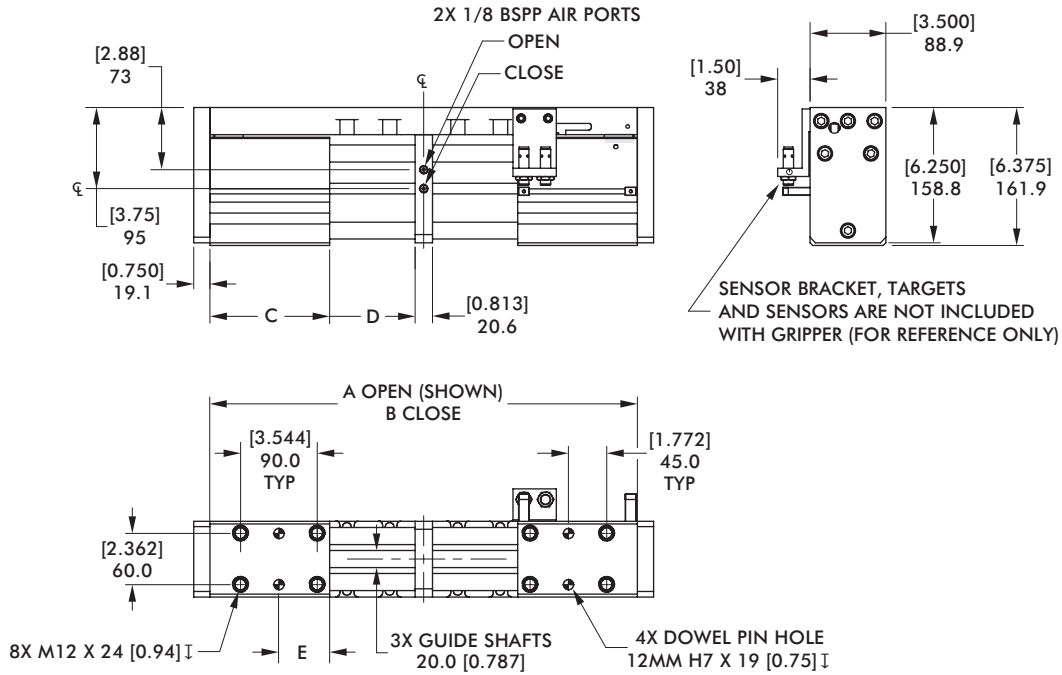
*Sensor and cable sold separately.

2-Jaw Heavy-Duty Parallel Grippers | Technical Specifications

Specifications	Units	RPR-63M-150	RPR-63M-200	RPR-63M-250	RPR-63M-300	RPR-63M-350
Total Rated Grip Force F @ 7 bar [100 psi]	N [lbf]	3250 [791]				
Total Stroke	mm [in]	150 [5.91]	200 [7.87]	250 [9.84]	300 [11.81]	350 [13.78]
Weight	kg [lb]	13.6 [30]	15.8 [35]	18.1 [40]	20.4 [45]	22.7 [50]
Ingress Protection Class (IP)		IP65				
Pressure Range	bar [psi]	3-7 [40-100]				
Displacement	cm ³ [in ³]	623 [38.2]				
Temperature Range (Buna-N seals)	°C [°F]	-35°~80° [-30°~180°]				
Temperature Range (Viton® seals)	°C [°F]	-30°~150° [-20°~300]				
Actuation	sec	1.0	1.3	1.6	1.8	2.0
Accuracy	mm [in]	±0.13 [±0.005]				
Repeatability	mm [in]	±0.05 [±0.002]				
Valve to Actuate Double Acting		4-way, 2-position				

RPR-63M

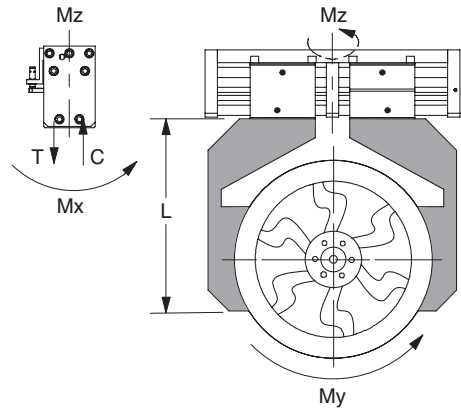
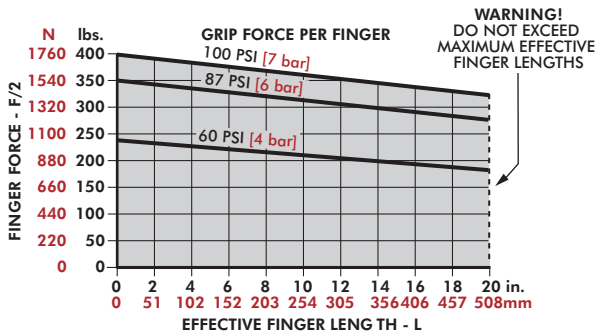
2-Jaw Heavy-Duty Parallel Grippers | Dimensions and Technical Specifications



RPR-63-250 SHOWN

Model	A	B	C	D	E
RPR-63M-150	[12.27] 311.6	[6.34] 161.1	[5.51] 140	[2.96] 75.3	
RPR-63M-200	[19.75] 501.7	[11.87] 301.6		[3.94] 100	[2.34] 59.6
RPR-63M-250	[23.81] 604.7	[13.96] 354.7	[6.58] 167	[4.92] 125	
RPR-63M-300	[28.15] 715	[16.21] 411.8	[7.70] 195.6	[5.97] 151.6	[3.50] 88.8
RPR-63M-350	[31.75] 806.5	[17.71] 449.9	[8.45] 214.6	[7.02] 178.3	[4.25] 107.6

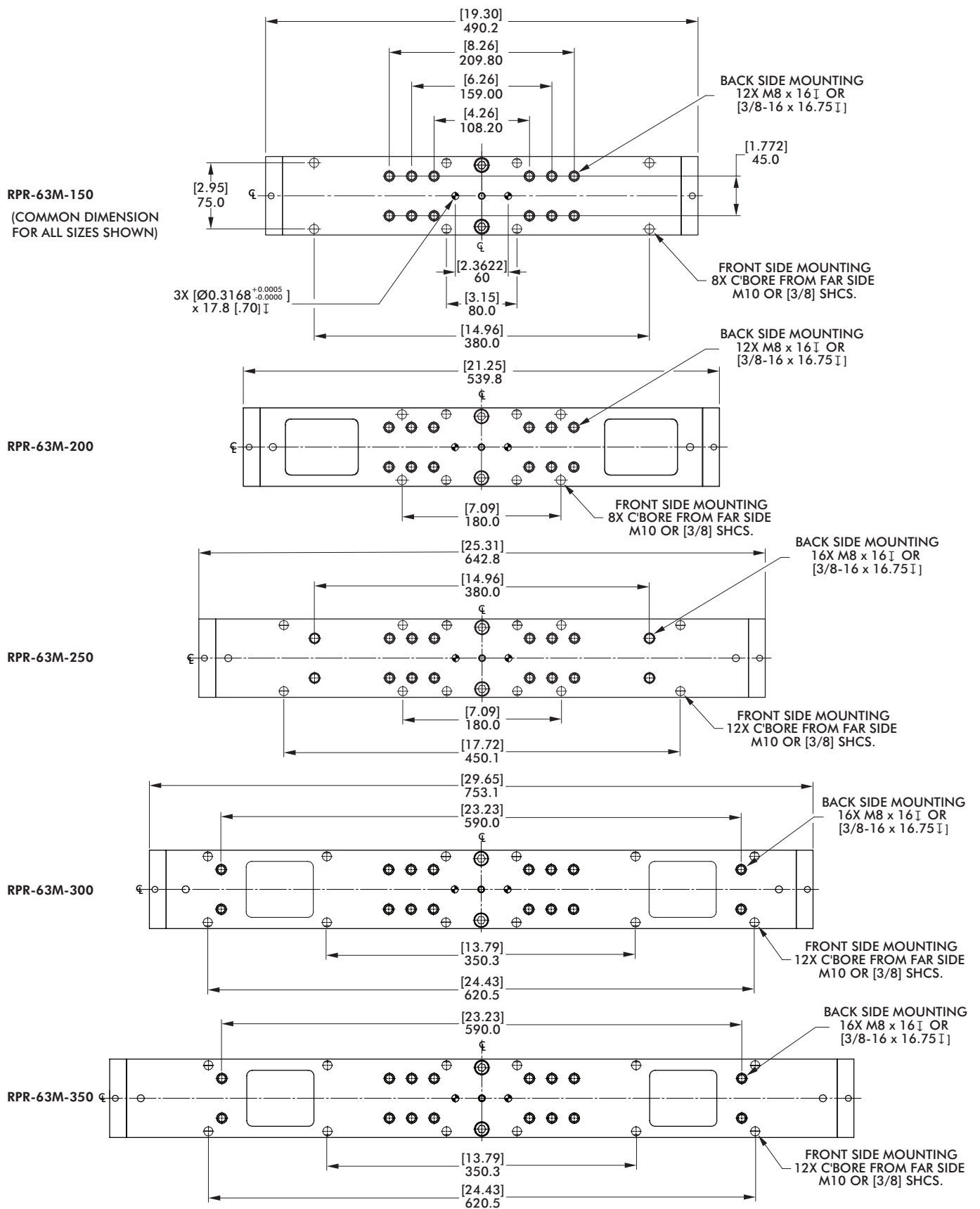
Loading Information



RPR-63M	
Maximum Tensile T	15570 N [3500 lbs]
Maximum Compressive C	15570 N [3500 lbs]
Maximum Moment M_x	825 Nm [7302 in-lbs]
Maximum Moment M_y	990 Nm [8762 in-lbs]
Maximum Moment M_z	825 Nm [7302 in-lbs]
Maximum Finger Length L	500mm [20 in]

*Capacities are per set of jaws and are not simultaneous

2-Jaw Heavy-Duty Parallel Grippers | Dimensions

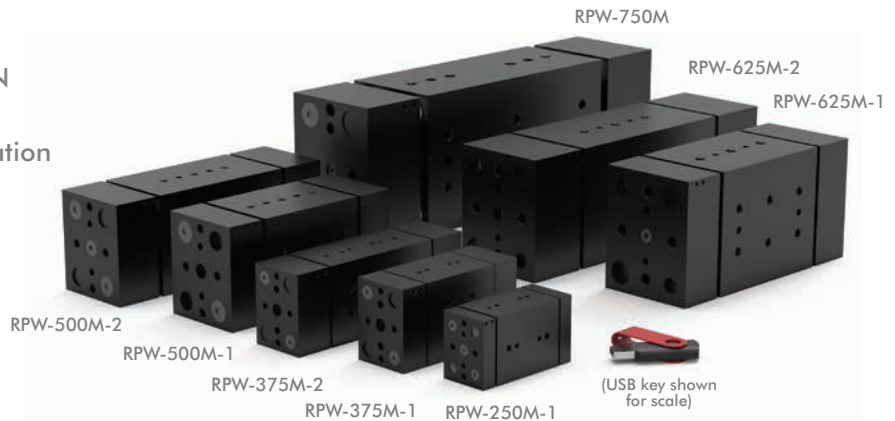


RPW SERIES

2-Jaw Heavy-Duty Parallel Grippers | Features and Benefits | How To Order

Features:

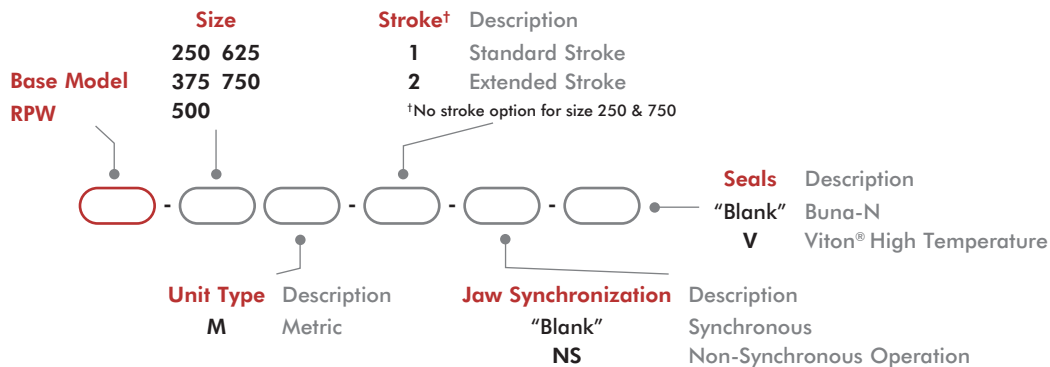
- Robust wide body gripper
- Grip force ranges from 222N thru 2091N
- Strokes range from 19mm thru 114mm
- Rack and pinion design for smooth operation
- Jaws well supported to grip large and wide parts
- Double rod seals for extended life in harsh environments
- Optional non-synchronous jaw operation



Applications:

- Wide part gripping
- Gantry systems
- Harsh gripping environment

How To Order



Accessories

Sensor Accessories	Model Numbers	Part Number	Qty/Unit
Sensor Mounting Kit for Imperial & Metric Units (mounts 2 sensors)	See Datasheet		1
PNP Inductive Sensor with Quick Disconnect*	250, 375, 500	OISP-014	1-2
NPN Inductive Sensor with Quick Disconnect*	250, 375, 500	OISN-014	1-2
PNP Inductive Sensor with Quick Disconnect*	625, 750	OISP-011	1-2
NPN Inductive Sensor with Quick Disconnect*	625, 750	OISN-011	1-2
Quick Disconnect 2 Meter Cable Length*	All Models	CABL-010	1-2
Quick Disconnect 5 Meter Cable Length*	All Models	CABL-013	1-2

Pneumatic Accessories	Model Numbers	Part Number	Qty/Unit
Fail Safe Valve (Imperial)	250, 375	OFSV-001	1
Fail Safe Valve (Metric)	250, 375	OFSV-004	1
Fail Safe Valve (Imperial)	500, 625, 750	OFSV-002	1
Fail Safe Valve (Metric)	500, 625, 750	OFSV-005	1

* Sensor and cable sold separately.

2-Jaw Heavy-Duty Parallel Grippers | Technical Specifications

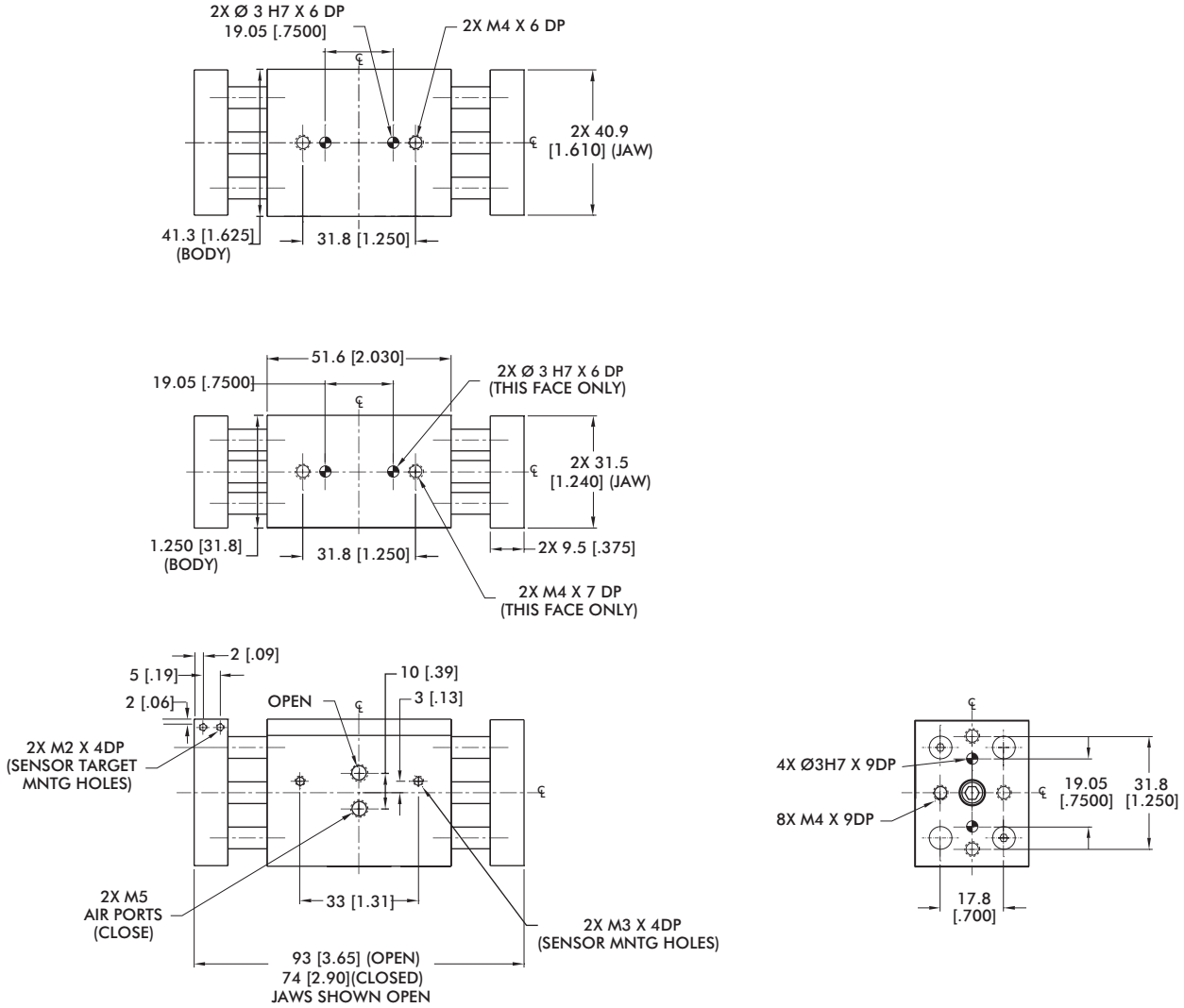
Specifications	Units	250	375-1	375M-2
Total Rated Grip Force F @ 7 bar [100 psi]	N [lbf]	222 [50]	400 [90]	
Total Stroke	mm [in]	19.1 [0.75]	25.4 [1.00]	50.8 [2.00]
Weight	kg [lb]	0.30 [0.66]	0.59 [1.3]	0.91 [2.0]
Pressure Range	bar [psi]	3-7 [40-100]		
Ingress Protection Class (IP)		IP54		
Displacement	cm ³ [in ³]	3.8 [0.023]	9.8 [0.600]	19.7 [1.200]
Temperature Range (Buna-N seals)	°C [°F]	-35°~80° [-30°~180°]		
Temperature Range (Viton® seals)	°C [°F]	-30°~150° [-20°~300°]		
Actuation	sec	0.16	0.20	0.25
Accuracy	mm [in]	±0.05 [±0.002]		
Repeatability	mm [in]	±0.03 [±0.001]		
Valve to Actuate Double Acting		4-way, 2-position		

Specifications	Units	500-1	500-2
Total Rated Grip Force F @ 7 bar [100 psi]	N [lbf]	667 [150]	
Total Stroke	mm [in]	38.1 [1.50]	63.5 [2.50]
Weight	kg [lb]	1.4 [3.0]	1.85 [4.0]
Pressure Range	bar [psi]	3-7 [40-100]	
Ingress Protection Class (IP)		IP54	
Displacement	cm ³ [in ³]	29.5 [1.800]	49.2 [3.000]
Temperature Range (Buna-N seals)	°C [°F]	-35°~80° [-30°~180°]	
Temperature Range (Viton® seals)	°C [°F]	-30°~150° [-20°~300°]	
Actuation	sec	0.25	0.33
Accuracy	mm [in]	±0.08 [±0.003]	
Repeatability	mm [in]	±0.03 [±0.001]	
Valve to Actuate Double Acting		4-way, 2-position	

Specifications	Units	625-1	625-2	750
Total Rated Grip Force F @ 7 bar [100 psi]	N [lbf]	1068 [240]		2091 [470]
Total Stroke	mm [in]	50.8 [2.00]	88.9 [3.50]	114.3 [4.50]
Weight	kg [lb]	3.0 [6.5]	3.6 [7.8]	6.4 [14]
Pressure Range	bar [psi]	3-7 [40-100]		
Ingress Protection Class (IP)		IP54		
Displacement	cm ³ [in ³]	21.6 [1.320]	37.9 [2.310]	232.7 [14.200]
Temperature Range (Buna-N seals)	°C [°F]	-35°~80° [-30°~180°]		
Temperature Range (Viton® seals)	°C [°F]	-30°~150° [-20°~300°]		
Actuation	sec	0.52	0.69	1.00
Accuracy	mm [in]	±0.08 [±0.003]		
Repeatability	mm [in]	±0.03 [±0.001]		
Valve to Actuate Double Acting		4-way, 2-position		

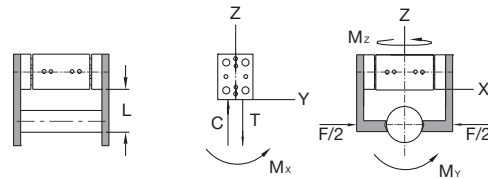
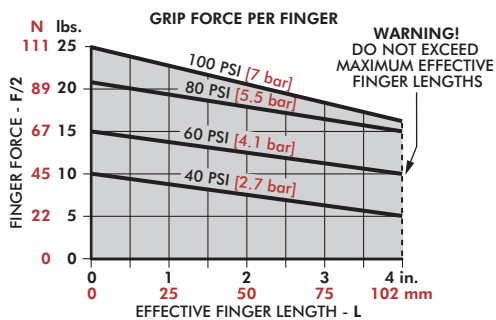
RPW-250M

2-Jaw Heavy-Duty Parallel Grippers | Dimensions and Technical Specifications



Sensor Accessories	250
Inductive Sensor Mtg Kit (2 Sensors)	OSMK-009
Seal Repair Kits	250
Buna-N Seal Repair Kit	SLKT-055
Viton® Seal Repair Kit	SLKT-055V

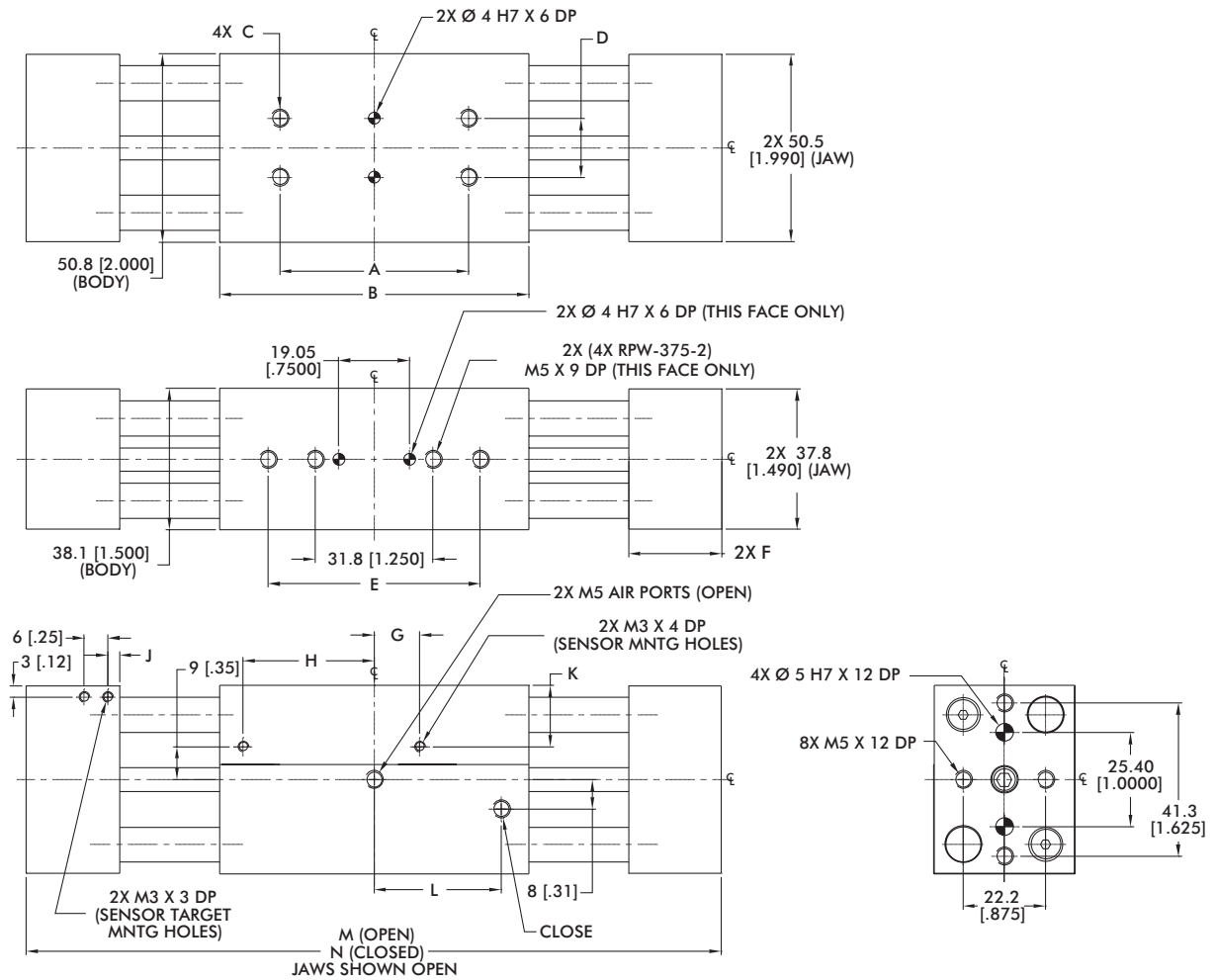
Loading Information



RPW-250M	Static	Dynamic
Maximum Tensile T	[50 lb] 222 N	[10 lb] 44 N
Maximum Compressive C	[50 lb] 222 N	[10 lb] 44 N
Maximum Moment M _x	[100 in-lb] 11 Nm	[20 in-lb] 2 Nm
Maximum Moment M _y	[150 in-lb] 17 Nm	[30 in-lb] 3 Nm
Maximum Moment M _z	[100 in-lb] 11 Nm	[20 in-lb] 2 Nm

*Capacities are per set of jaws and are not simultaneous

2-Jaw Heavy-Duty Parallel Grippers | Dimensions and Technical Specifications

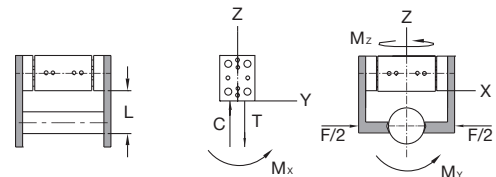
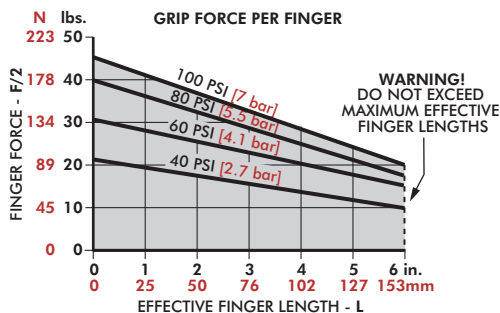


Sensor Accessories	375
Inductive Sensor Mtg Kit for 375-1 (2 Sensors)	OSMK-010
Inductive Sensor Mtg Kit for 375-2 (2 Sensors)	OSMK-011

Seal Repair Kits	375
Buna-N Seal Repair Kit	SLKT-056
Viton® Seal Repair Kit	SLKT-056V

Model	A	B	C	D	E	F	G	H	J	K	L	M	N
RPW-375M-1	19.05 [0.7500]	19.0 [0.750]	M4 x 6 DP [#8-32 x.25 DP]	19.05 [0.7500]	--	18.8 [0.740]	13 [0.52]	22 [0.85]	3 [0.12]	9 [0.35]	21 [0.81]	120 [4.74]	95 [3.74]
RPW-375M-2	50.8 [2.000]	83.3 [3.280]	M5 x 6 DP [#10-32 x.25 DP]	15.88 [0.6250]	57.2 [2.250]	25.1 [0.990]	12 [0.49]	35 [1.39]	3 [0.13]	17 [0.65]	34 [1.35]	187 [7.38]	136 [5.38]

Loading Information

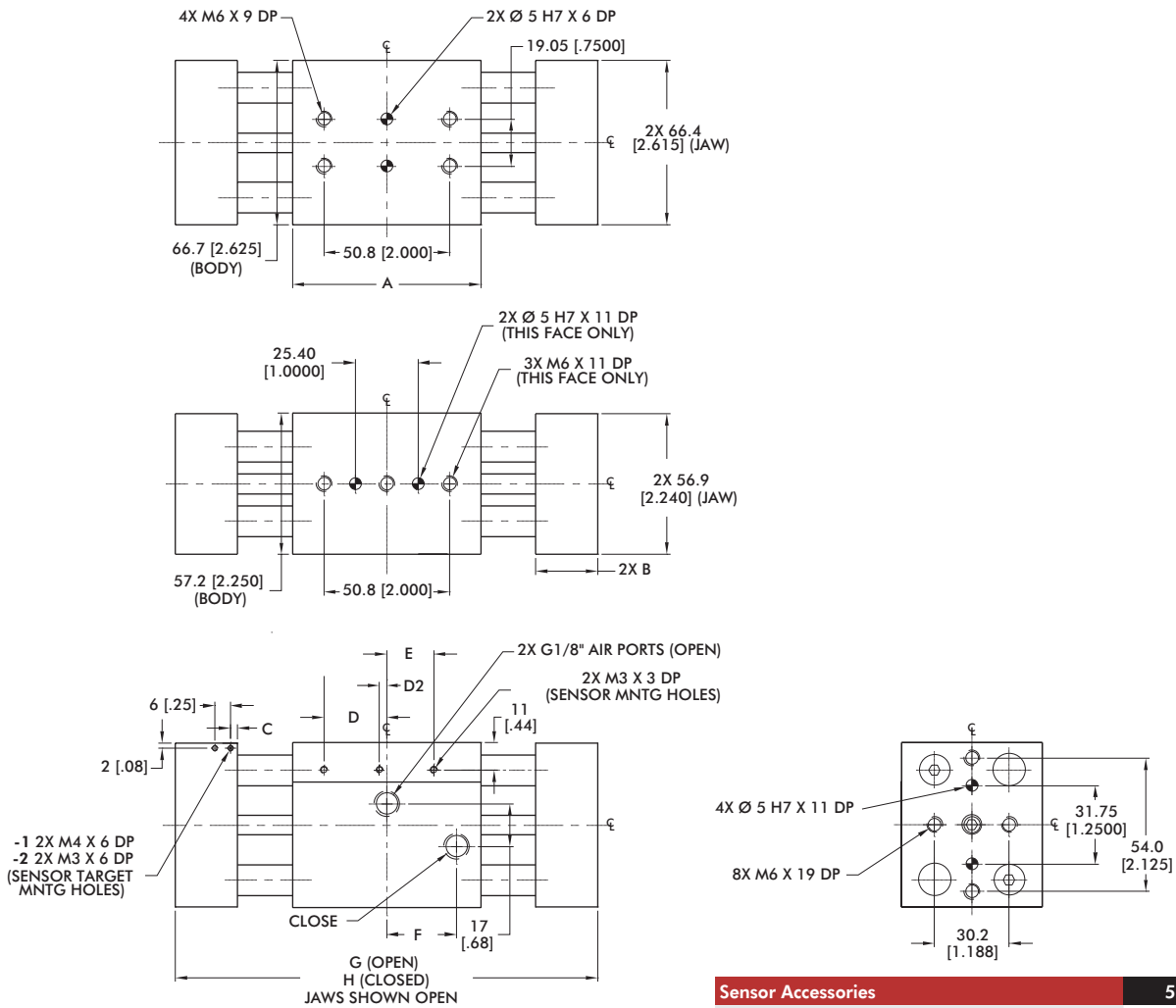


RPW-375M	Static	Dynamic
Maximum Tensile T	[100 lb] 445 N	[20 lb] 89 N
Maximum Compressive C	[100 lb] 445 N	[20 lb] 89 N
Maximum Moment M _x	[175 in-lb] 20 Nm	[35 in-lb] 4 Nm
Maximum Moment M _y	[250 in-lb] 28 Nm	[50 in-lb] 6 Nm
Maximum Moment M _z	[175 in-lb] 20 Nm	[35 in-lb] 4 Nm

*Capacities are per set of jaws and are not simultaneous

RPW-500M

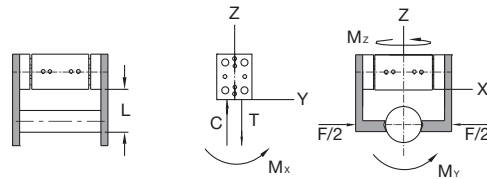
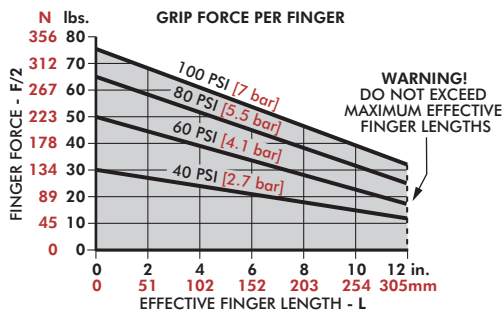
2-Jaw Heavy-Duty Parallel Grippers | Dimensions and Technical Specifications



Sensor Accessories		500
Inductive Sensor Mtg Kit for 500-1 (2 Sensors)		OSMK-012
Inductive Sensor Mtg Kit for 500-2 (2 Sensors)		OSMK-013
Seal Repair Kits		500
Buna-N Seal Repair Kit		SLKT-058
Viton® Seal Repair Kit		SLKT-058V

Model	A	B	C	D	D2	E	F	G	H
RPW-500M-1	76.2 [3.000]	25.1 [0.990]	2.8 [0.11]	25 [1.00]	--	19 [0.75]	28 [1.11]	171 [6.73]	132 [5.23]
RPW-500M-2	101.6 [4.000]	31.3 [1.235]	3.3 [0.13]	38 [1.51]	3 [0.13]	--	41 [1.61]	234 [9.23]	170 [6.73]

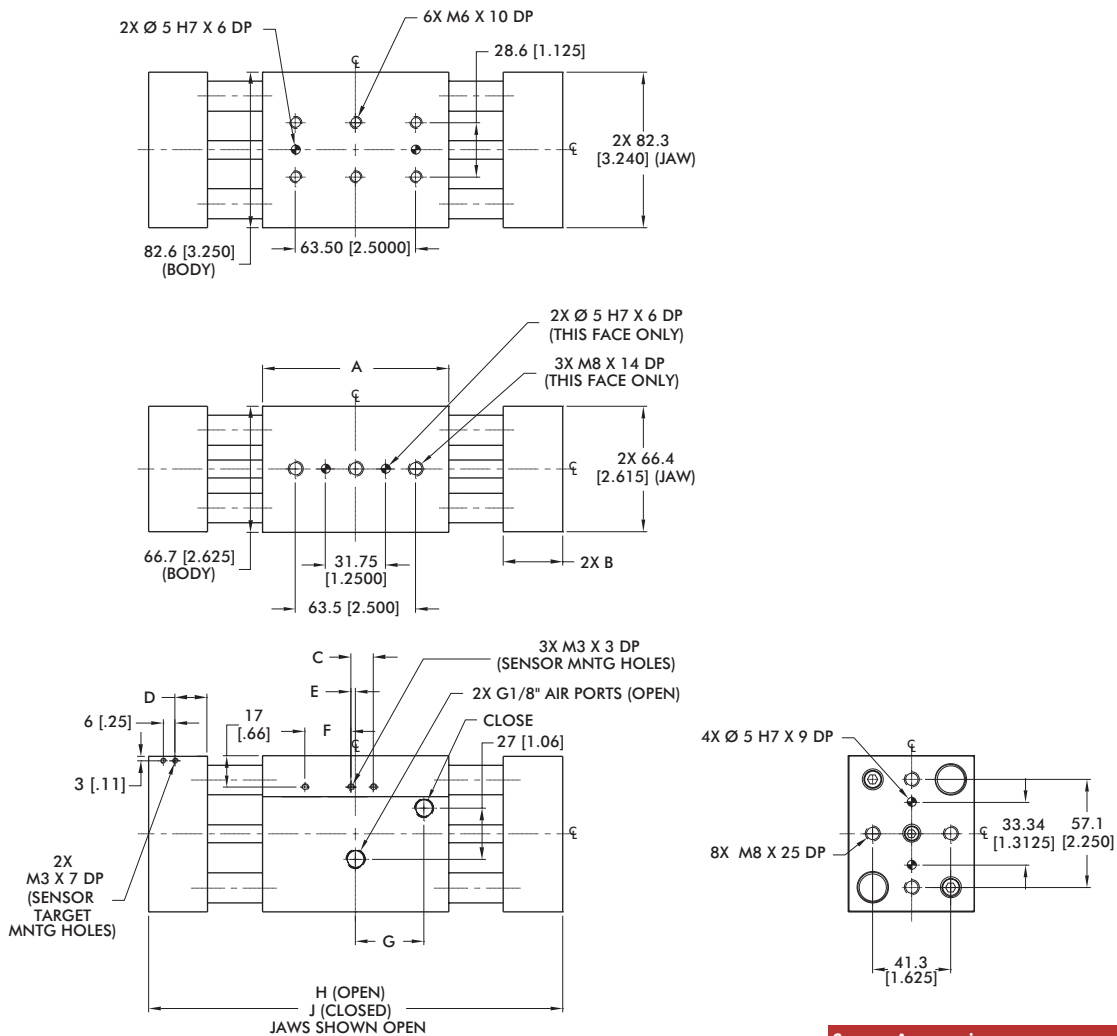
Loading Information



RPW-500M	Static	Dynamic
Maximum Tensile T	[500 lb] 2224 N	[50 lb] 222 N
Maximum Compressive C	[500 lb] 2224 N	[50 lb] 222 N
Maximum Moment M_x	[500 in-lb] 57 Nm	[50 in-lb] 6 Nm
Maximum Moment M_y	[750 in-lb] 85 Nm	[75 in-lb] 8 Nm
Maximum Moment M_z	[500 in-lb] 57 Nm	[50 in-lb] 6 Nm

*Capacities are per set of jaws and are not simultaneous

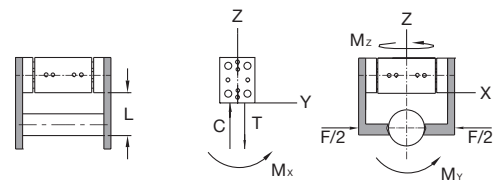
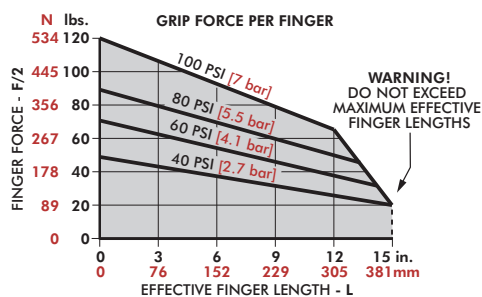
2-Jaw Heavy-Duty Parallel Grippers | Dimensions and Technical Specifications



Sensor Accessories	625
Inductive Sensor Mtg Kit (2 Sensors)	OSMK-074
Seal Repair Kits	625
Buna-N Seal Repair Kit	SLKT-071
Viton® Seal Repair Kit	SLKT-071V

Model	A	B	C	D	E	F	G	H	J
RPW-625M-1	98.4 [3.875]	31.4 [1.235]	14 [0.55]	17 [0.66]	2 [0.08]	24 [0.96]	36 [1.42]	219 [8.63]	168 [6.63]
RPW-625M-2	136.5 [5.375]	44.1 [1.735]	15 [0.61]	5 [0.21]	9 [0.37]	43 [1.71]	55 [2.17]	321 [12.63]	232 [9.13]

Loading Information

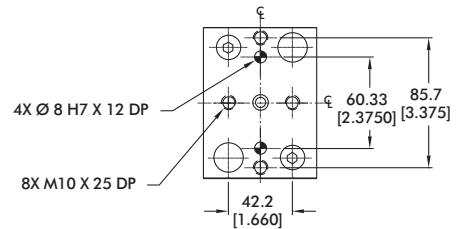
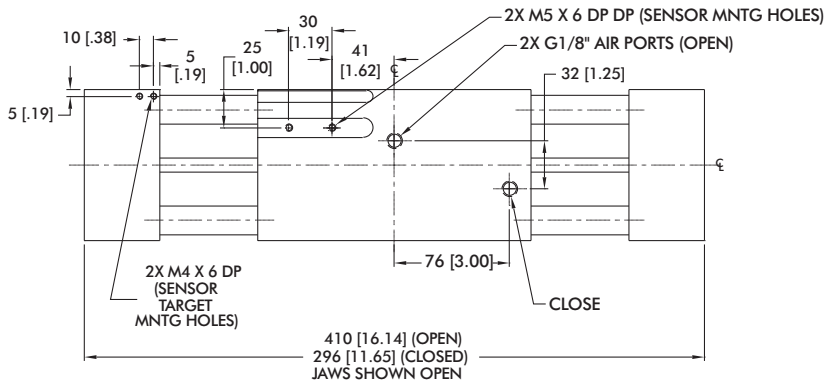
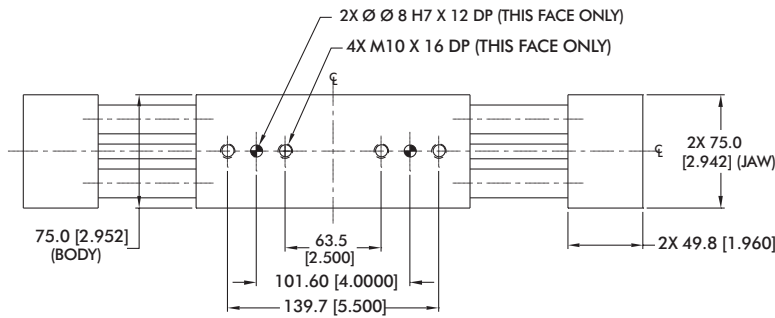
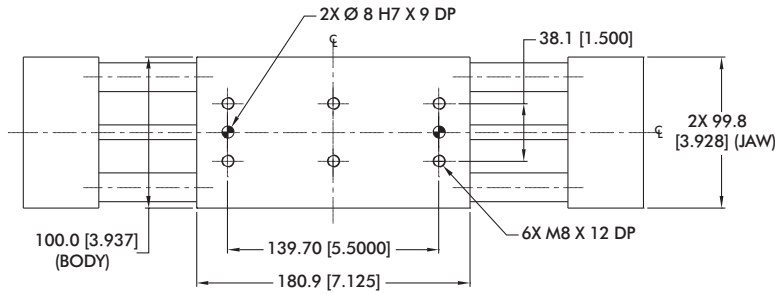


RPW-625M	Static	Dynamic
Maximum Tensile T	[1200 lbs] 5338 N	[125 lbs] 556 N
Maximum Compressive C	[1200 lbs] 5338 N	[125 lbs] 556 N
Maximum Moment M _x	[1000 in-lbs] 113 Nm	[100 in-lbs] 11 Nm
Maximum Moment M _y	[1500 in-lbs] 170 Nm	[125 in-lbs] 14 Nm
Maximum Moment M _z	[1000 in-lbs] 113 Nm	[100 in-lbs] 11 Nm

*Capacities are per set of jaws and are not simultaneous

RPW-750M

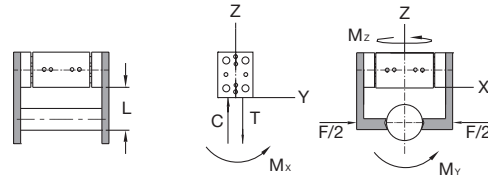
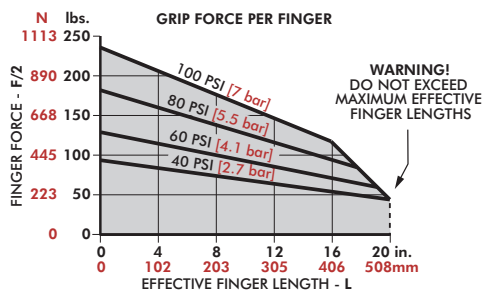
2-Jaw Heavy-Duty Parallel Grippers | Dimensions and Technical Specifications



Sensor Accessories	750
Inductive Sensor Mtg Kit (2 Sensors)	OSMK-014

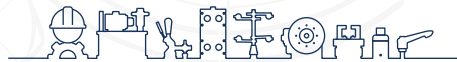
Seal Repair Kits	750
Buna-N Seal Repair Kit	SLKT-060
Viton® Seal Repair Kit	SLKT-060V

Loading Information



RPW-750M	Static	Dynamic
Maximum Tensile T	11121 N [2500 lb]	1112 N [250 lb]
Maximum Compressive C	11121 N [2500 lb]	1112 N [250 lb]
Maximum Moment M_x	226 Nm [2000 in-lb]	22 Nm [200 in-lb]
Maximum Moment M_y	339 Nm [3000 in-lb]	28 Nm [250 in-lb]
Maximum Moment M_z	226 Nm [2000 in-lb]	22 Nm [200 in-lb]

*Capacities are per set of jaws and are not simultaneous



inf @ /CESEHSA.com.mx

