

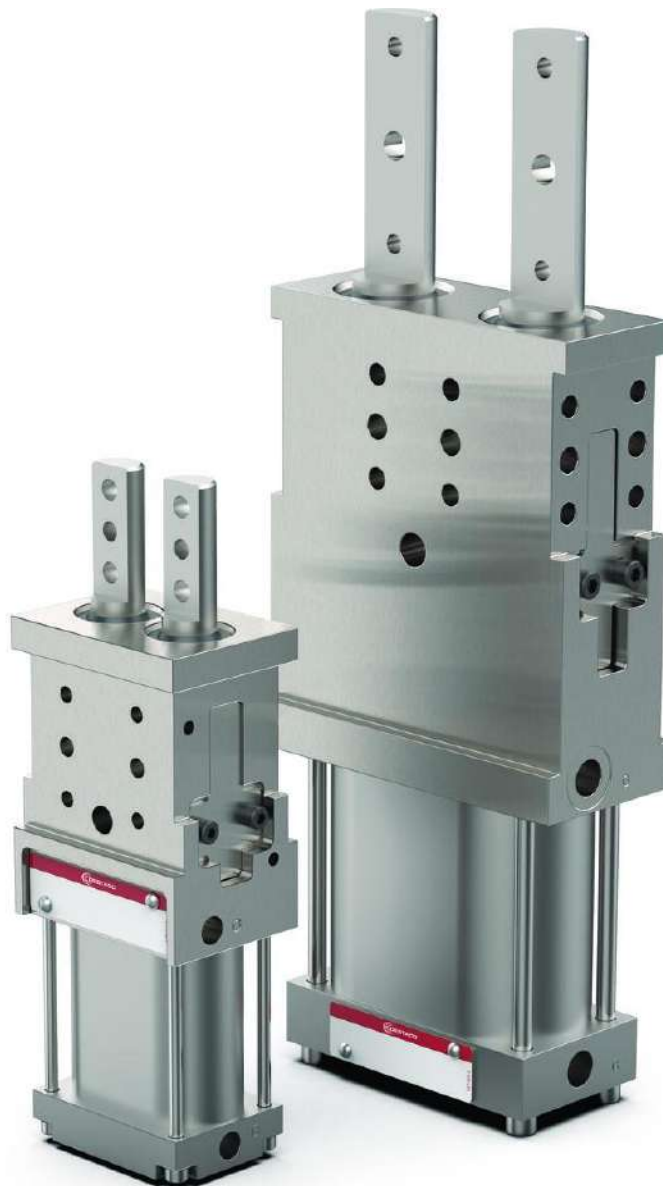
# Double Shaft Pin Packages

01/28/2025



info@cesehsa.com.mx

cesehsa.com.mx



# Double Shaft Pin Packages

01/28/2025

This catalog is a custom document and the products included is based on your unique selection from portions of complete catalogs that already exist. Please refer to our full catalogs for more information on products not included in this customized document.

## Table of Contents

Double Shaft Pin Packages

PC-PKG-29

# Double Shaft Pin Packages

01/28/2025

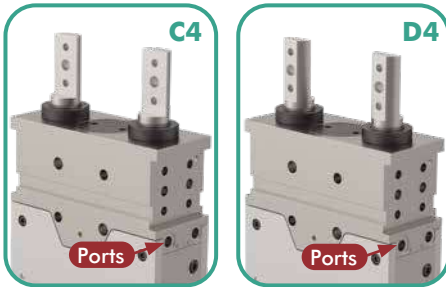
## Table of Contents (continued)

# 85D5-2

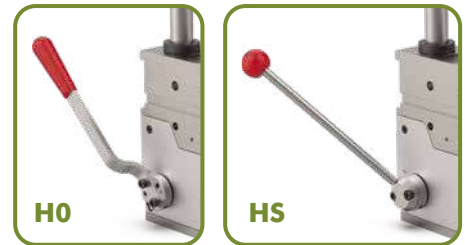
## Pneumatic Pin Package | Dual Shaft | Ordering Information

**85D5-2** **C4** **L8** **10** **H0** **4** | Stroke 4 | Description 40 mm Stroke

Piston Rod	Description
<b>C4</b>	NAAMS Standard
<b>D4</b>	NAAMS Standard Rotated 180°



Hand Lever	Description
<b>00</b>	No Hand Lever
<b>H0</b>	Standard Hand Lever
<b>HS</b>	Weldable Hand Lever

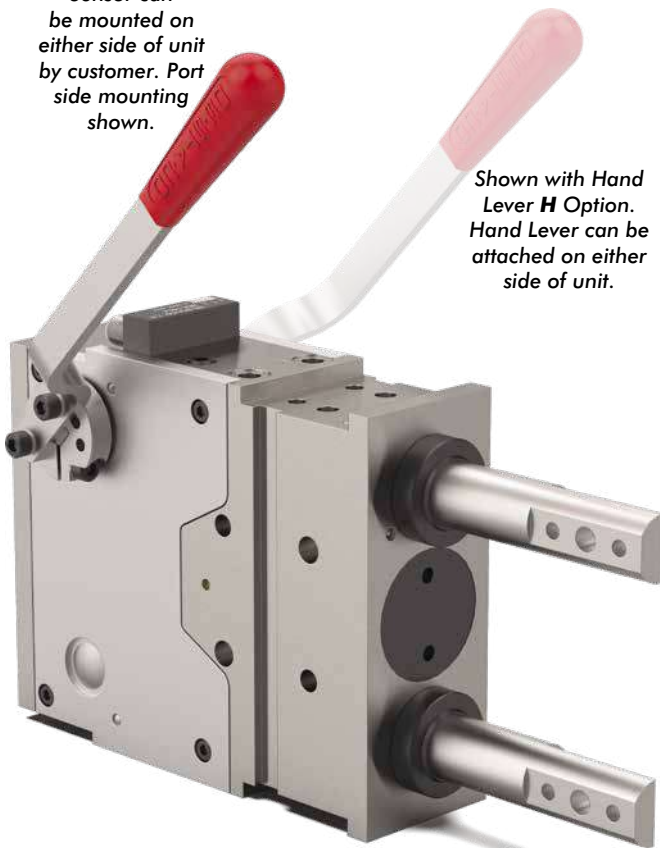


Hand Lever Shafts*	Description
<b>10</b>	Non-port side
<b>20</b>	Port side

\*Hand Lever can be attached on either side of unit.



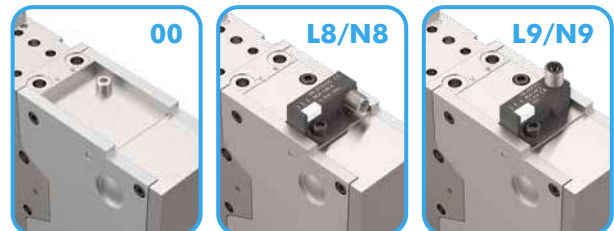
Sensor can be mounted on either side of unit by customer. Port side mounting shown.



Shown with Hand Lever **H** Option. Hand Lever can be attached on either side of unit.

Sensor	Description
<b>00</b>	Without Sensing System
<b>L8</b>	PNP Sensor with In-line M12x1 Connector (8EA-146-4-B)
<b>N8</b>	NPN Sensor with In-line M12x1 Connector (8EA-154-4-B)
<b>L9</b>	PNP Sensor with 90° M12x1 Connector (8EA-147-4-B)
<b>N9</b>	NPN Sensor with 90° M12x1 Connector (8EA-155-4-B)
<b>K8</b>	PNP Sensor with M12x1 Cable Connector (8EA-158-4-B)
<b>K9</b>	NPN Sensor with M12x1 Cable Connector (8EA-167-4-B)

\*Sensors can be mounted on opposite side by customer.

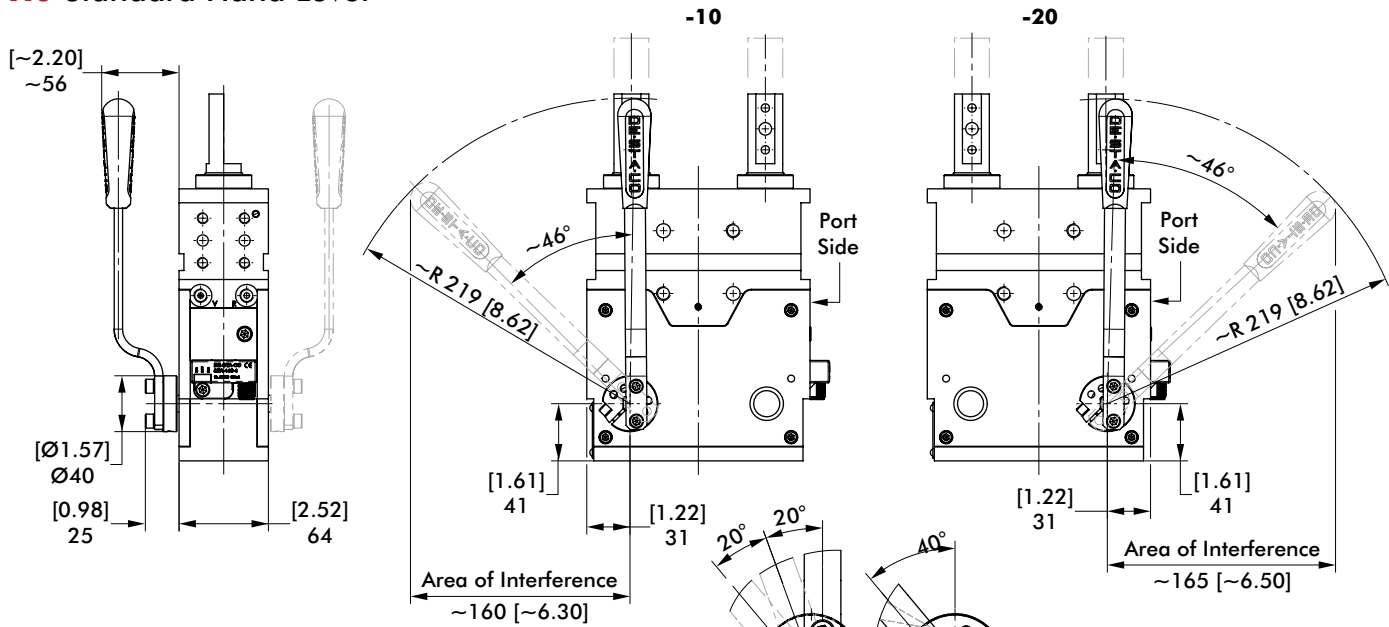




# 85D5-2 OPTIONS

Pneumatic Pin Package | Dual Shaft | Dimensions and Technical Specifications

## H0 Standard Hand Lever



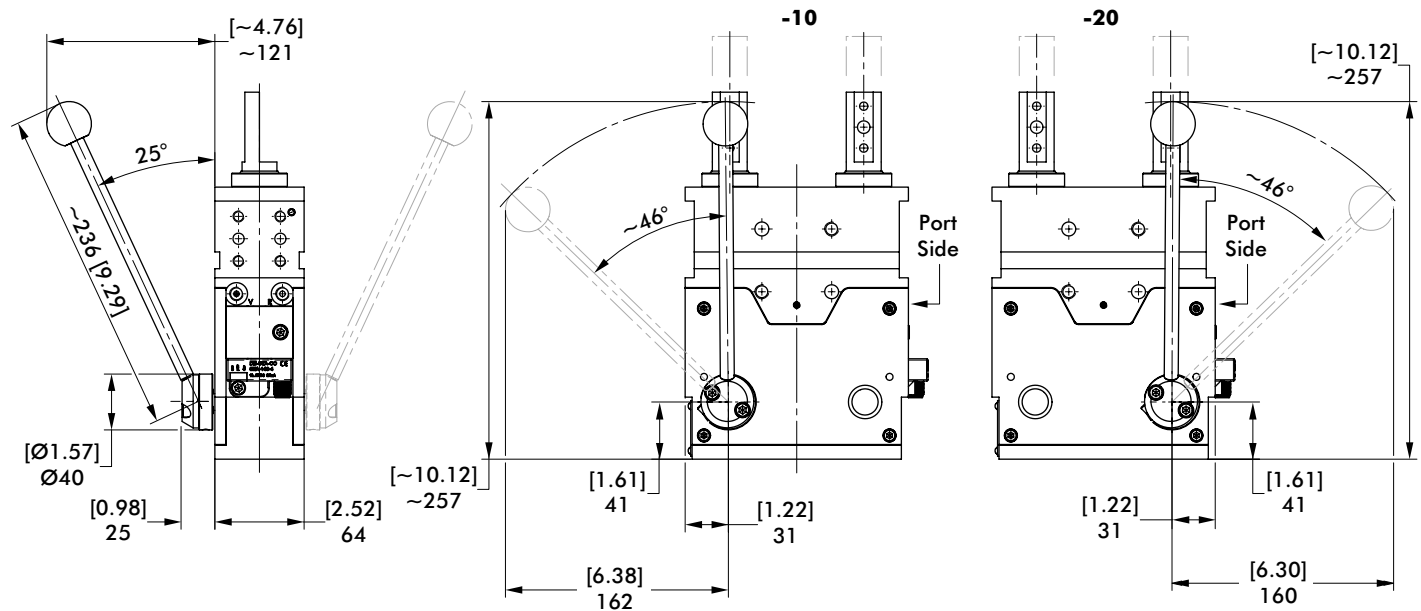
**Note:**  
Specified dimensions for the area of interference apply only to the shown example.

The start position and the angle of the hand lever changes by mounting of the hand lever on the other side of the clamp or by rebuilding of the lever on the clamp piece.

Hand lever angle can be changed by further mounting options on the clamp piece

Model no.	Weight kg [lb]
85D5-2*****H04	8,3 [18.29]

## H0 Weldable Hand Lever



**Note:**  
The view shows an example for a position of the welded hand lever.

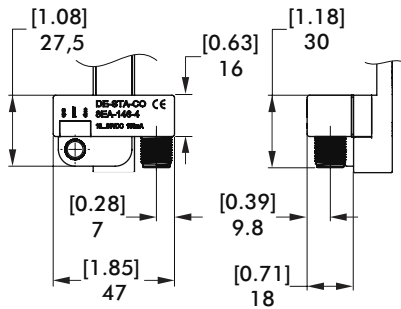
The hand lever is delivered loose enclosed and can be welded by the customer in the required position. Easy custom left hand or right hand mounting in required position.

Model no.	Weight kg [lb]
85D5-2*****HS4	8,3 [18.29]

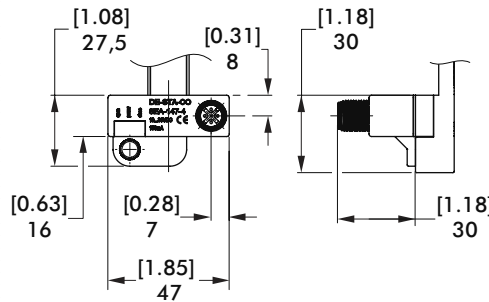
# 85D5-2 SENSORS

Pneumatic Pin Package | Dual Shaft | Dimensions and Technical Specifications

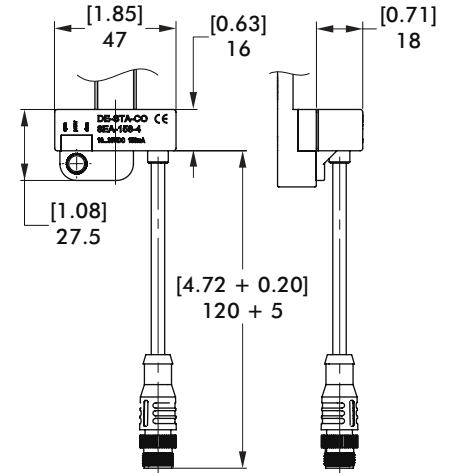
## L8, N8 Inductive Sensing System



## L9, N9 Inductive Sensing System with 90° Connector

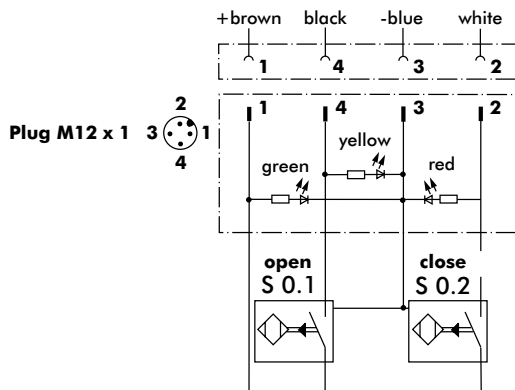


## K8, K9 Inductive Sensing System with Pigtail Connector



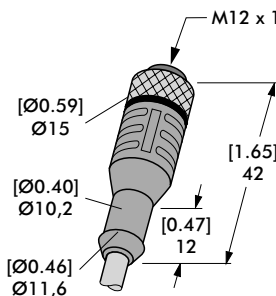
## Inductive Sensor Wiring Diagram

Sensing system immune to interference from AC / DC arc welding.

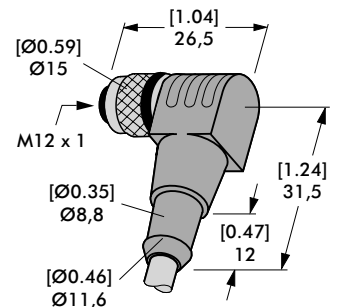


## Sensor Cable Accessories

Sensor Cables (1 connector & 5m cable)	Order no.
M12x1 connector, straight, 5-pin	<b>8EL-002-1</b>
M12x1 connector, 90° angular, 4-pin	<b>8EL-003-1</b>



**Straight Cable**  
8EL-002-1



**Angular Cable**  
8EL-003-1

# 86D40/86D60

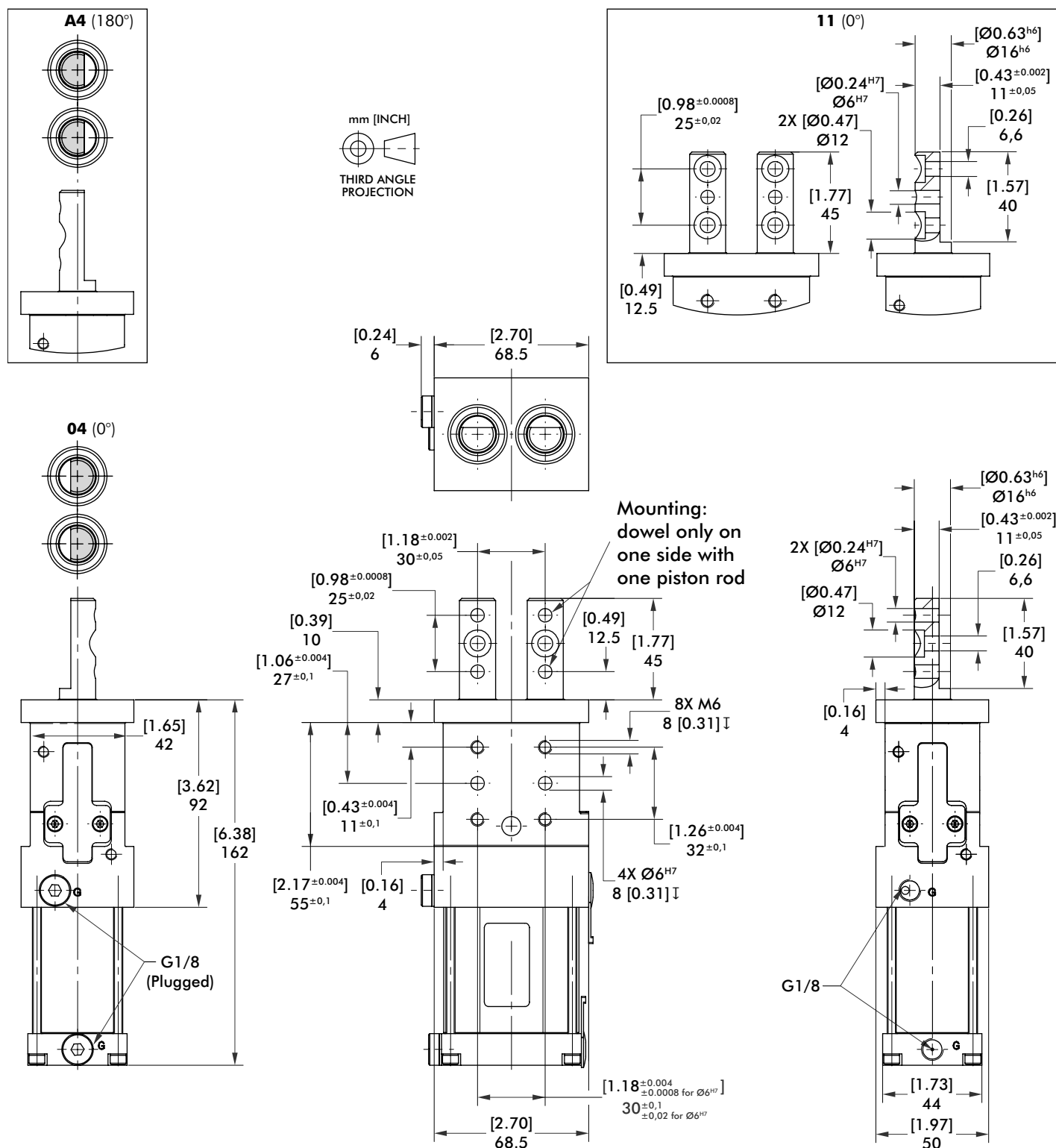
## Pneumatic Pin Package | Dual Shaft | Ordering Information

<p><b>86D40</b>   <b>-1</b>   <b>A4</b>   <b>D8</b>   <b>00</b>   <b>A</b>   <b>K</b></p>		<p><b>Plunger</b> Description <b>K</b> Ceramic Option for Piston Rod</p>
<p><b>Base Model</b> Description <b>86D40</b> 40 mm Cylinder (G1/8 Port) <b>86D60</b> 63 mm Cylinder (G1/4 Port)</p>	<p><b>Hand Lever</b> Description <b>-1</b> No Hand Lever <b>H1</b> Handle for Manual Control (86D60 only)</p>	<p><b>Accessories</b> Description <b>00</b> No Accessories <b>01</b> Locking Device for Retracted Position. Mountable on both sides (H1 only) (86D60H1000001)</p>
<p><b>Piston Rod</b> Description <b>04</b> NAAMS Standard <b>A4</b> NAAMS Standard Rotated 180° <b>11</b> Dual Bolt Mounting (86D40-1 Only)</p>	<p><b>Stroke</b> for 86D40 <b>B</b> 20 mm Stroke (86D40-1000000B) <b>A</b> 40 mm Stroke (86D40-1000000A)</p> <p><b>Stroke</b> for 86D60 <b>B</b> 20 mm Stroke (86D0-1000000B) <b>A</b> 40 mm Stroke (86D0-1000000A) <b>C</b> 60 mm Stroke (86D0-1000000C)</p>	<p><b>Sensor*</b> for 86D40 <b>L4</b> Cover Plate (86D0-100L4) <b>D8</b> with 90° M12x1 Swivel Connector (86D40-100D8) *Sensors can be mounted on opposite side by customer.</p> <p><b>Sensor*</b> for 86D60 <b>L6</b> Cover Plate (86D0-100L6) <b>D8</b> with 90° M12x1 Swivel Connector (86D0-100D8) *Sensors can be mounted on opposite side by customer.</p>
<p><b>86D40-1</b></p> <p>Stroke Option: <b>A, B</b></p>	<p><b>86D60-1</b></p> <p>Stroke Option: <b>A, B, C</b></p>	

86D40 shown with sensor mounted on opposite side of unit.



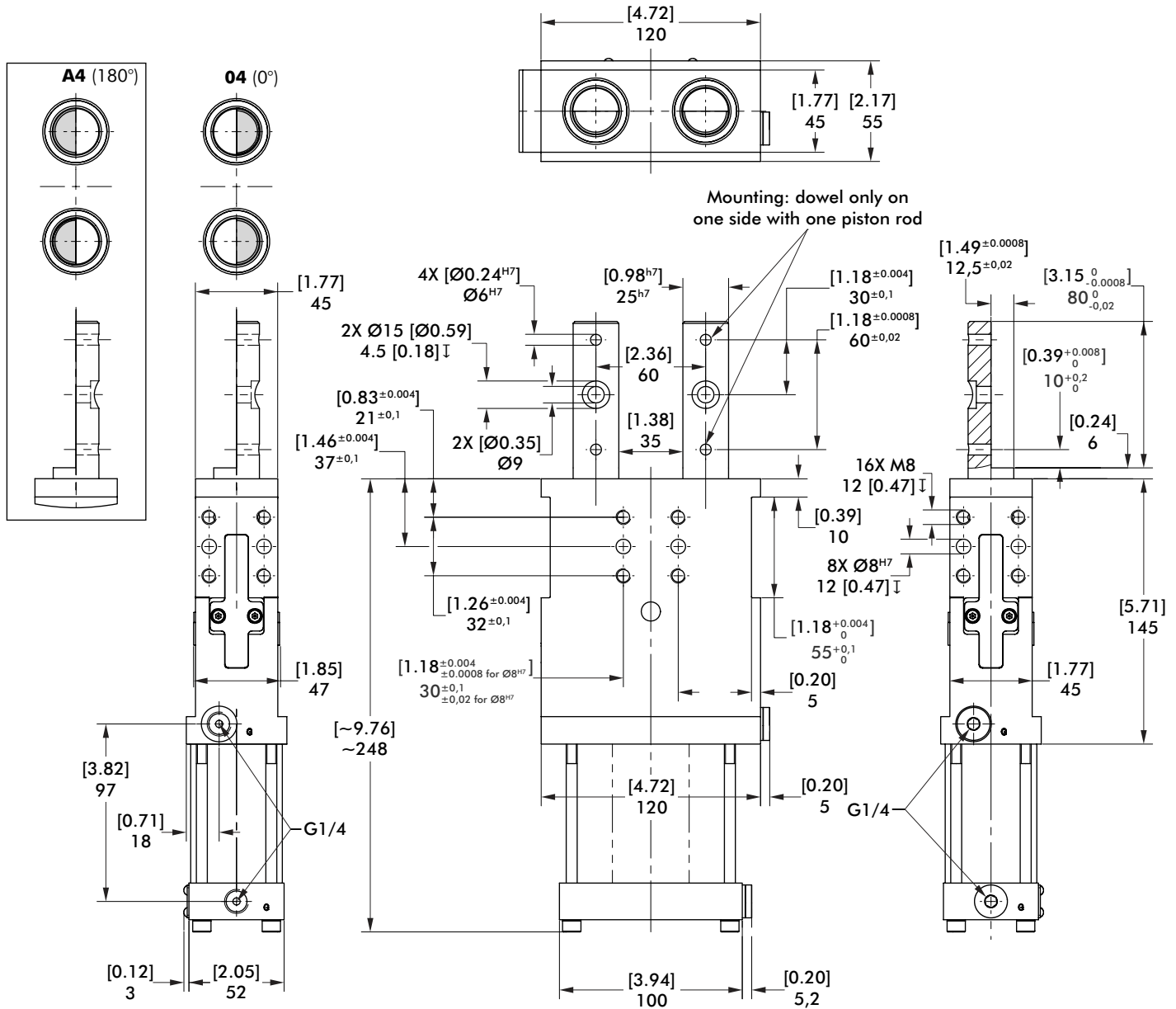
## Pneumatic Pin Package | Dual Shaft | Dimensions and Technical Specifications



Base Model	Stroke +2 [0.08] mm [in]	Pushing Force at 5 bar N [lbf]	Retraction Force at 5 bar N [lbf]	Max. Operating Pressure bar [psi]	Piston Ø mm [in]	Weight Kg [lbs]	Air consumption per double stroke at 5 bar dm <sup>3</sup> [ft <sup>3</sup> ]
86D40-1.....A	40 [1.57]	700 [157]	600 [135]	6 [87]	40 [1.57]	1,5 [3.31]	0,75 [0.03]
86D40-1.....B	20 [0.79]	700 [157]	600 [135]	6 [87]	40 [1.57]	1,5 [3.31]	0,47 [0.02]

# 86D60

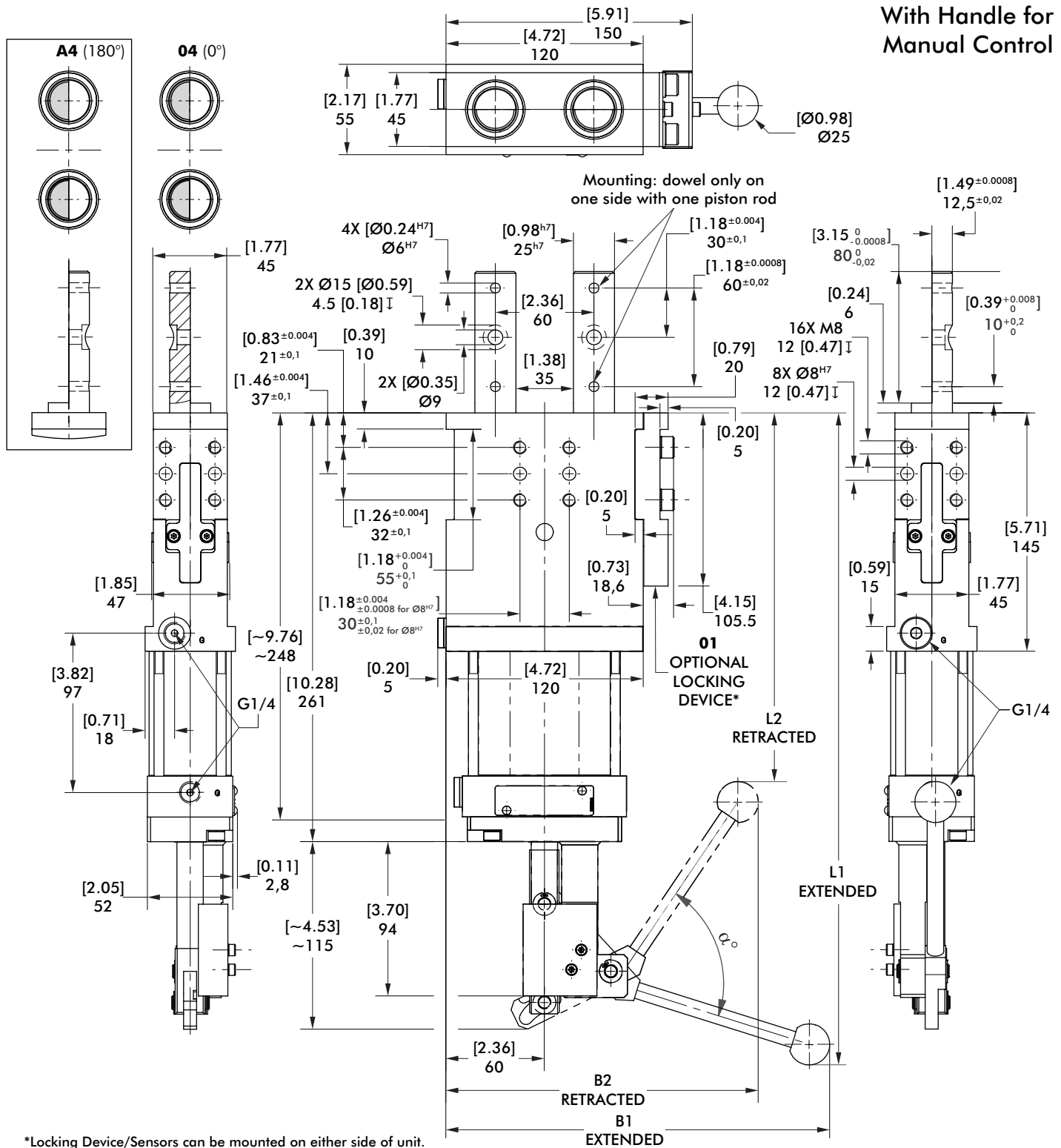
## Pneumatic Pin Package | Dual Shaft | Dimensions and Technical Specifications



Base Model	Stroke Option	Stroke +2 [0.08] mm [in]	Pushing force at 5 bar N [lbs]	Retraction force at 5 bar N [lbs]	Max. operating pressure bar [psi]	Piston Ø mm [in]	Weight Kg [lbs]	Air consumption per double stroke at 5 bar dm <sup>3</sup> [ft <sup>3</sup> ]
86D60	B, 2	20 [0.79]	1500 [337]	1100 [247]	6 [87]	63 [2.48]	4 [8.82]	0,8 [0.028]
	A, 4	40 [1.57]						1,4 [0.049]
	C, 6	60 [2.36]						2,0 [0.070]

## Pneumatic Pin Package | Dual Shaft | Dimensions and Technical Specifications

With Handle for Manual Control

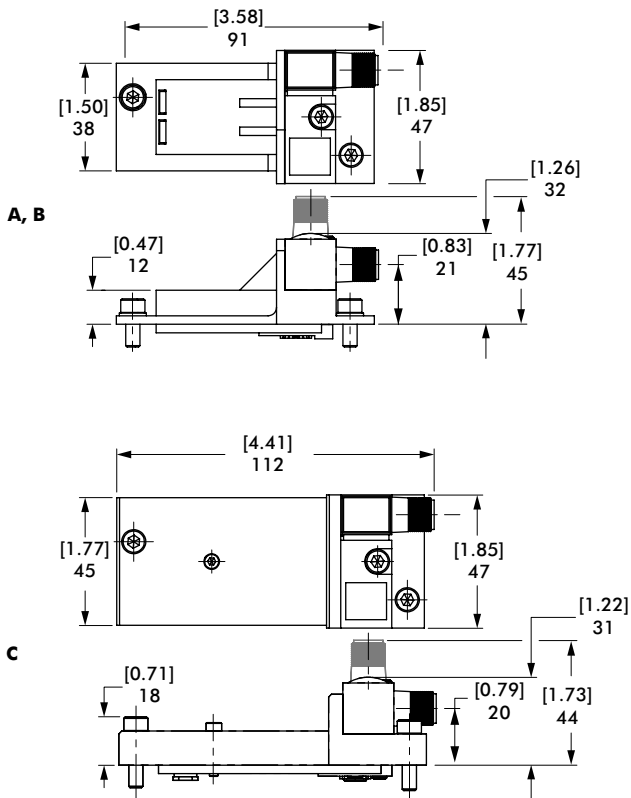


Base Model	Stroke Option	Stroke +2 [0.08] mm [in]	~B1 (extended) mm [in]	~B2 (retracted) mm [in]	~L1 (extended) mm [in]	~L2 (retracted) mm [in]	Opening Angle $\alpha$	Weight Kg [lbs]
86D60H1	B, 2	20 [0.79]	242 [9.53]		351 [13.82]		52.6°	5,78 [12.74]
	A, 4	40 [1.57]	228 [8.98]	190 [7.48]	295 [11.61]	224.5 [8.84]	26.5°	5,79 [12.76]
	C, 6	60 [2.36]	234 [9.21]		397 [15.63]		73.3°	5,76 [12.69]

# 86D40/86D60 SENSORS

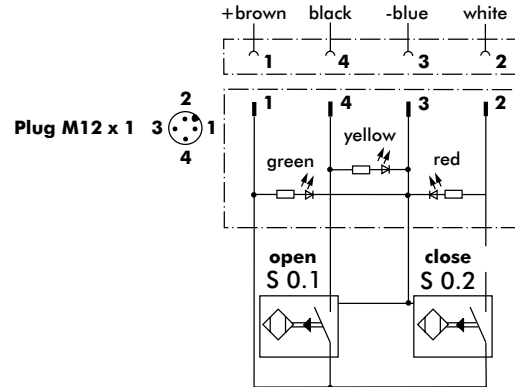
Pneumatic Pin Package | Dual Shaft | Dimensions and Technical Specifications

## D8 Inductive Sensing System with 90° Swivel Connector

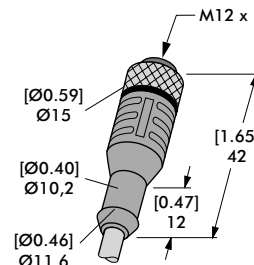


## Inductive Sensor Wiring Diagram

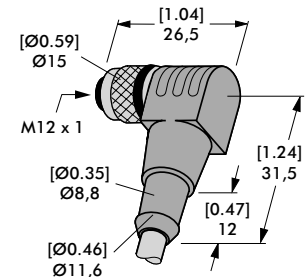
Sensing system immune to interference from AC / DC arc welding.



## Sensor Cable Accessories

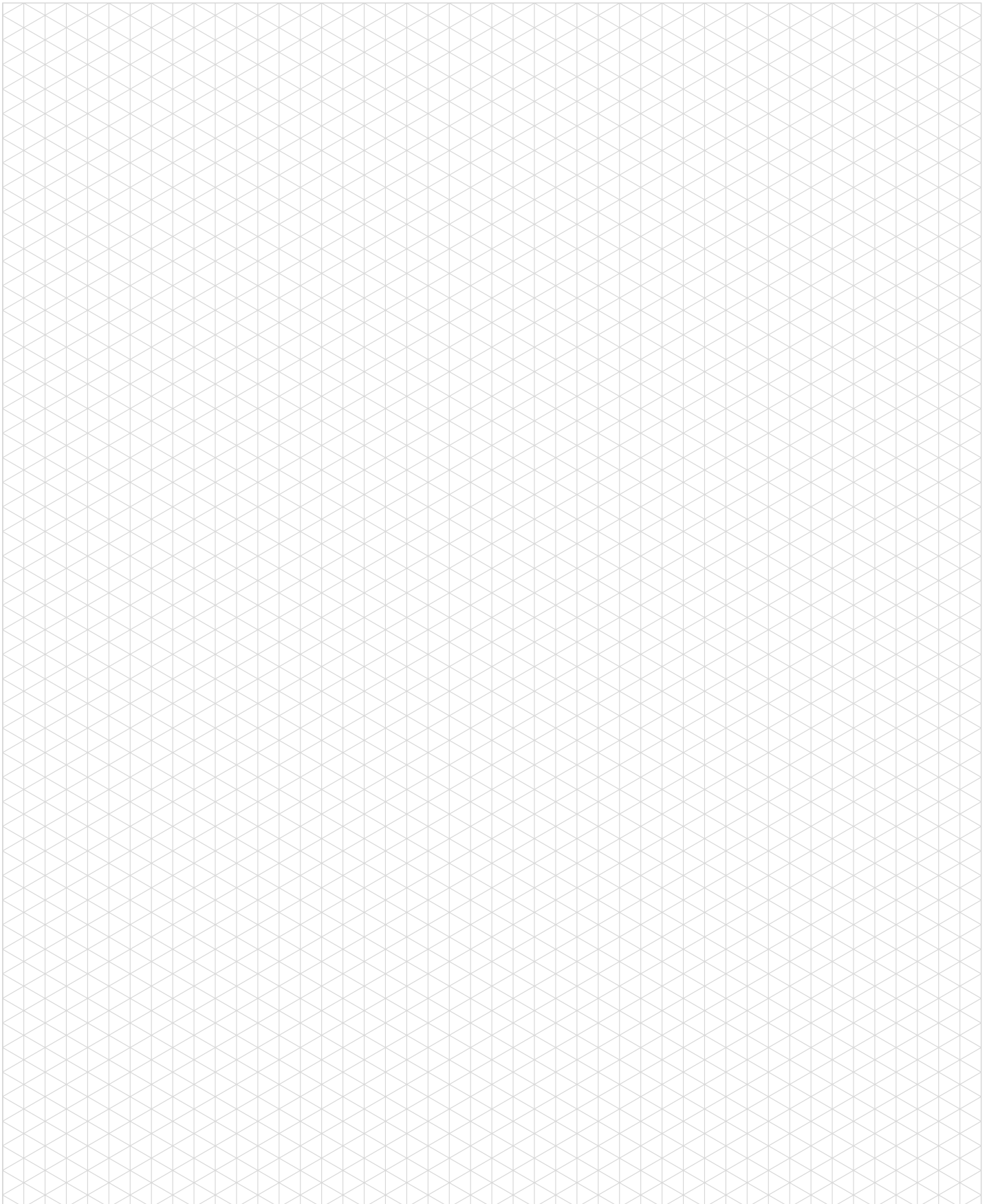


**Straight: 8EL-002-1**



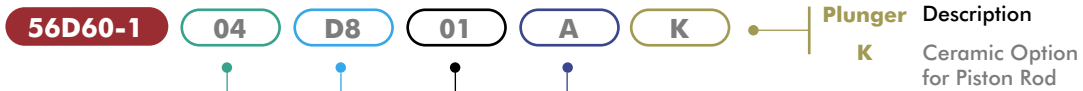
**Angular: 8EL-003-1**

Sensor Cables (1 connector & 5m cable)	Order no.
M12x1 connector, straight, 5-pin	<b>8EL-002-1</b>
M12x1 connector, 90° angular, 4-pin	<b>8EL-003-1</b>

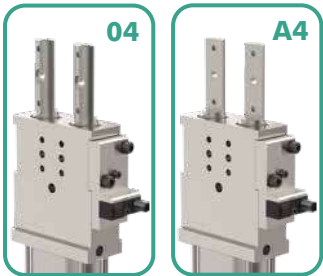


# 56D60-1

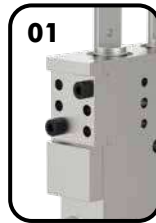
## Manual Pin Package | Dual Shaft | Ordering Information



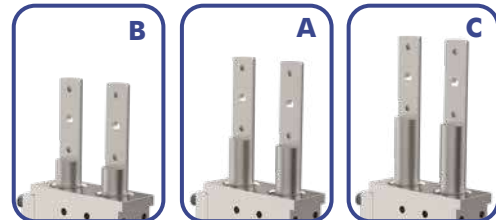
Piston Rod	Description
<b>04</b>	NAAMS Standard
<b>A4</b>	NAAMS Standard Rotated 180°



Accessories	Description
<b>00</b>	No Accessories
<b>01</b>	Locking Device for Retracted Position. Mountable on both sides (86D60H1000001)

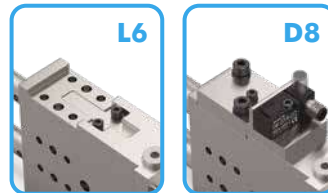


Stroke	Description
<b>B</b>	20 mm Stroke (86D0-1000000B)
<b>A</b>	40 mm Stroke (86D0-1000000A)
<b>C</b>	60 mm Stroke (86D0-1000000C)



Sensor*	Description
<b>L6</b>	Cover Plate (86D0-100L6)
<b>D8</b>	with 90° M12x1 Swivel Connector (86D0-100D8)

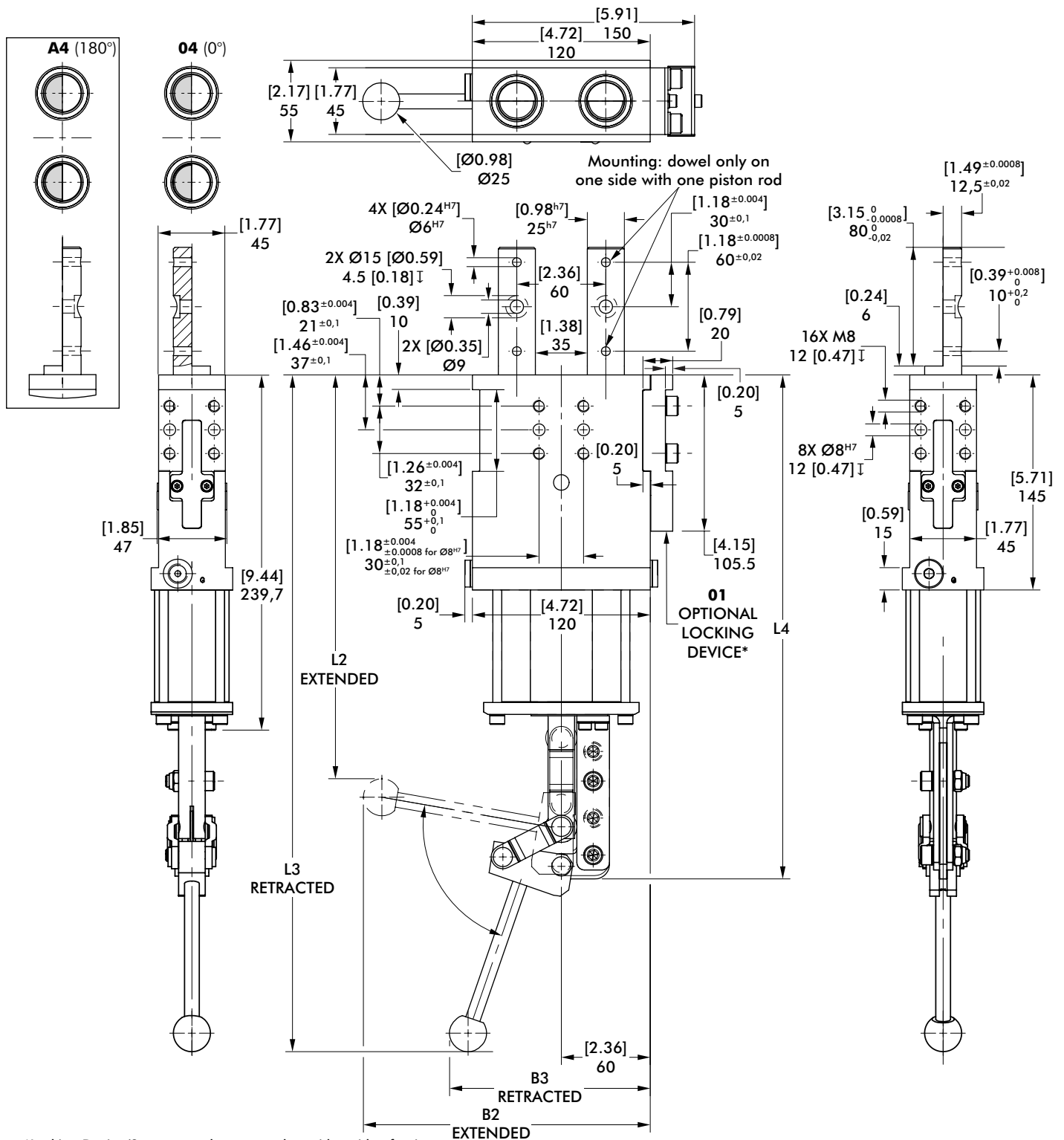
\*Sensors can be mounted on opposite side by customer.



**56D60-1**

Stroke Option: **A, B, C**

## Manual Pin Package | Dual Shaft | Dimensions and Technical Specifications



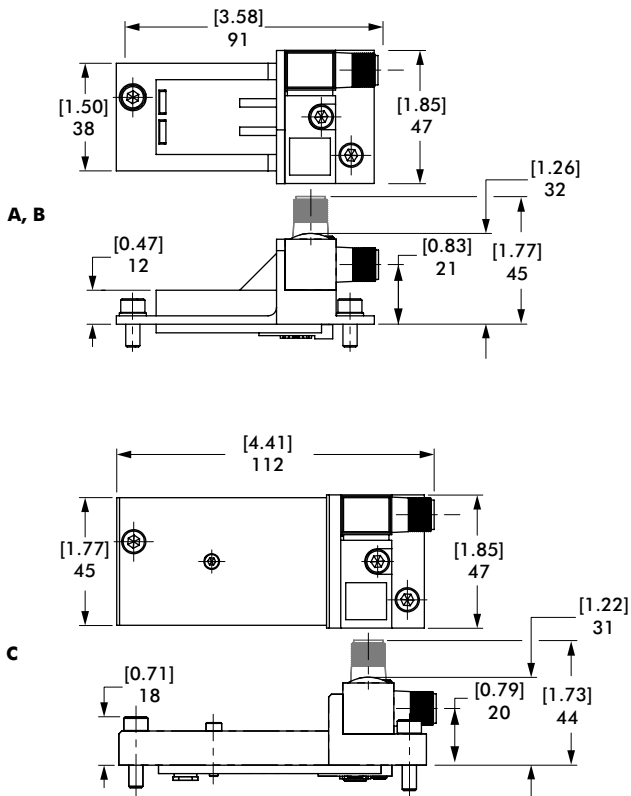
\*Locking Device/Sensors can be mounted on either side of unit.

Base Model	Stroke Option	Stroke +2 [0.08] mm [in]	~B2 (extended) mm [in]	~B3 (retracted) mm [in]	~L2 (extended) mm [in]	~L3 (retracted) mm [in]	~L4	Opening Angle $\alpha$	Weight Kg [lbs]
56D60H1	B	20 [0.79]	193 [7.60]	167 [6.57]	290 [11.42]	450 [17.72]	358 [14.09]	63.3°	5,78 [12.74]
	A	40 [1.57]	196 [7.72]	191 [7.52]	319 [12.56]	432 [17.01]	378 [14.88]	43°	5,79 [12.76]
	C	60 [2.36]	194 [7.64]	136 [5.35]	273 [10.75]	457 [17.99]	340 [13.39]	80.9°	5,76 [12.69]

# 56D60-1 SENSORS

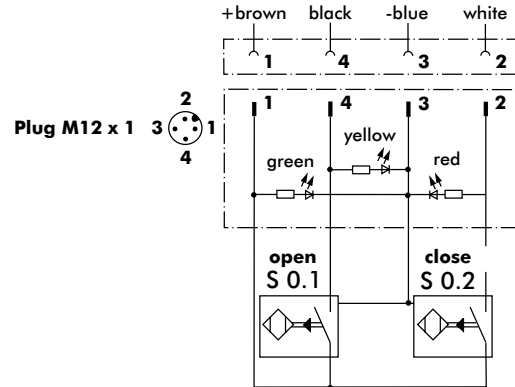
Manual Pin Package | Dual Shaft | Dimensions and Technical Specifications

## D8 Inductive Sensing System with 90° Swivel Connector

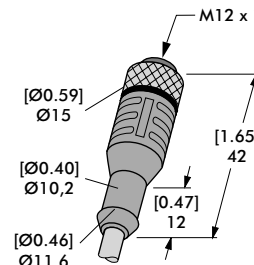


## Inductive Sensor Wiring Diagram

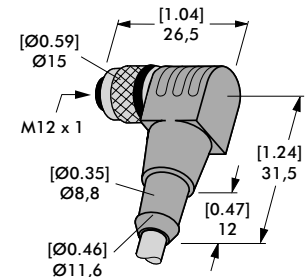
Sensing system immune to interference from AC / DC arc welding.



## Sensor Cable Accessories



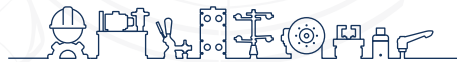
**Straight: 8EL-002-1**



**Angular: 8EL-003-1**

Sensor Cables (1 connector & 5m cable)	Order no.
M12x1 connector, straight, 5-pin	<b>8EL-002-1</b>
M12x1 connector, 90° angular, 4-pin	<b>8EL-003-1</b>





inf @ /CESEHSA.com.mx

