

Squeeze Action (Plier) Clamps

01/28/2025



info@cesehsa.com.mx

cesehsa.com.mx



Squeeze Action (Plier) Clamps

01/28/2025

This catalog is a custom document and the products included is based on your unique selection from portions of complete catalogs that already exist. Please refer to our full catalogs for more information on products not included in this customized document.

Table of Contents

Squeeze Action (Plier) Clamps

MC-SAP-1

Squeeze Action (Plier) Clamps

01/28/2025

Table of Contents (continued)

325 SERIES

Squeeze Action Plier Clamps | Product Overview

Features:

- Designed for attachment by welding or using mounting holes
- Available in stainless steel as **-SS** version

Applications:

- Molding
- Closures for doors, lids, covers

Also Available:

See page MC-ACC-1 for accessories

325,
325-SS



Color Handles

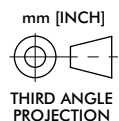
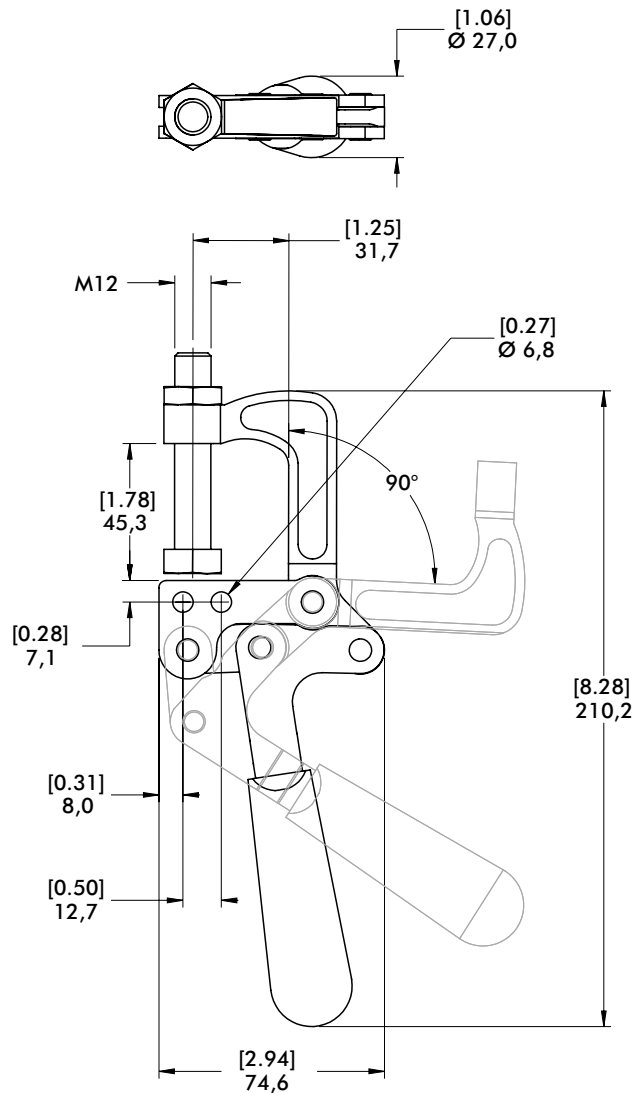
Available on this model. Add **-Y, -G, -B, -K** to end of model number.



Technical Information | Holding Capacities

Model	Max. Holding Capacity	Weight	Jaw Opening	Spindle (Supplied)
325	[800 lbf] 3560 N	[1.18lb] 0,54kg	90°	325203-M
325-SS				325943-M

Dimensions



345 SERIES

Squeeze Action Plier Clamps | Product Overview

Features:

- Designed for welding or bolting at any point along the mounting bar
- Includes M10 swivel foot spindle
- Model 345-G includes sliding jaw with spindle

Applications:

- Welding fixtures
- Assembly fixtures
- Closures for doors, lids, covers

Also Available:

See page MC-ACC-1 for accessories

345,
345-G ⓘ



Color Handles

Available on this model.*
Add **-Y, -G, -B, -K** to end of model number.

*Excludes locking lever.

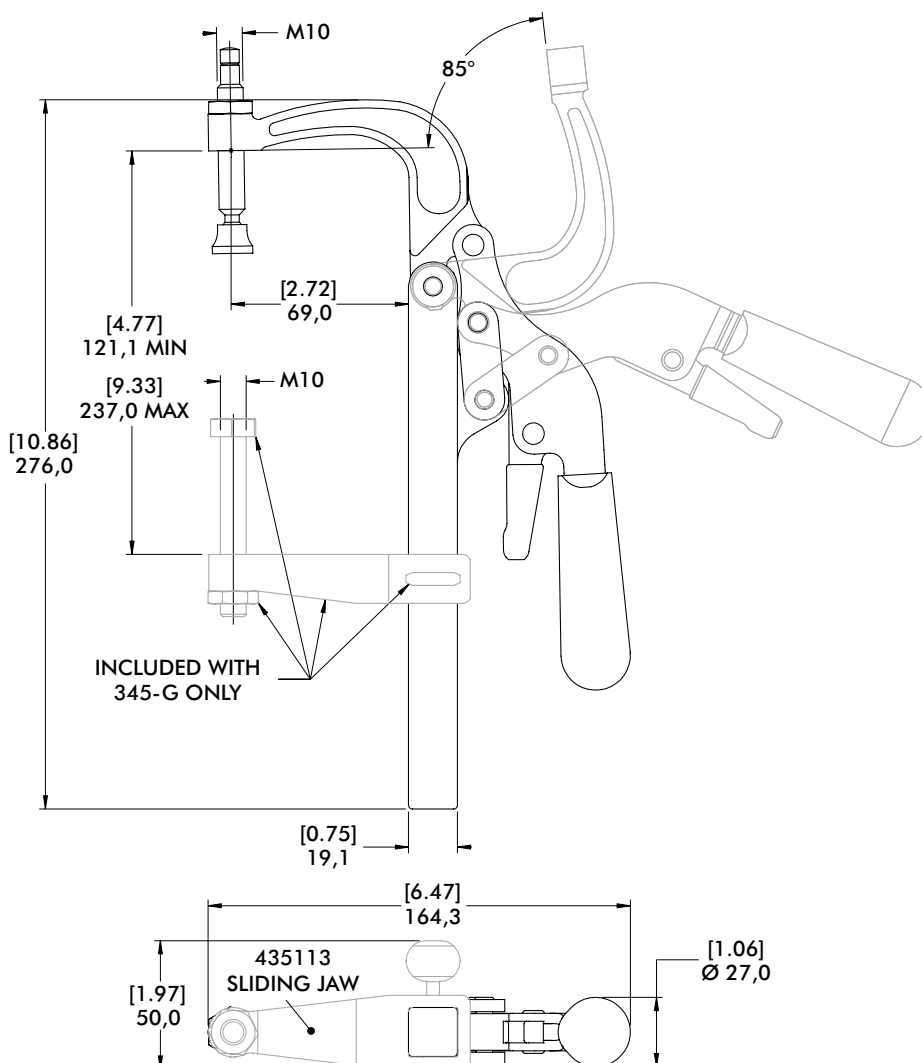


Technical Information | Holding Capacities

Model	Max. Holding Capacity	Weight	Jaw Opening	Spindle (Supplied)
345	[800 lbf] 3560 N	[2.69 lbs] 1,22 kg	85°	468206-M
345-G ⓘ		[3.09 lbs] 1,40 kg		468206-M 210203-M

ⓘ This item is available upon request.

Dimensions



424, 441 SERIES

Squeeze Action Plier Clamps | Product Overview

Features:

- Compact clamps with forged alloy steel construction for high strength
- Versions ending with (-2) are supplied with two adjustable spindles

Applications:

- Welding
- Assembly

Also Available:

See page MC-ACC-1 for accessories

424



424-2

With Two Adjustable Spindles



441



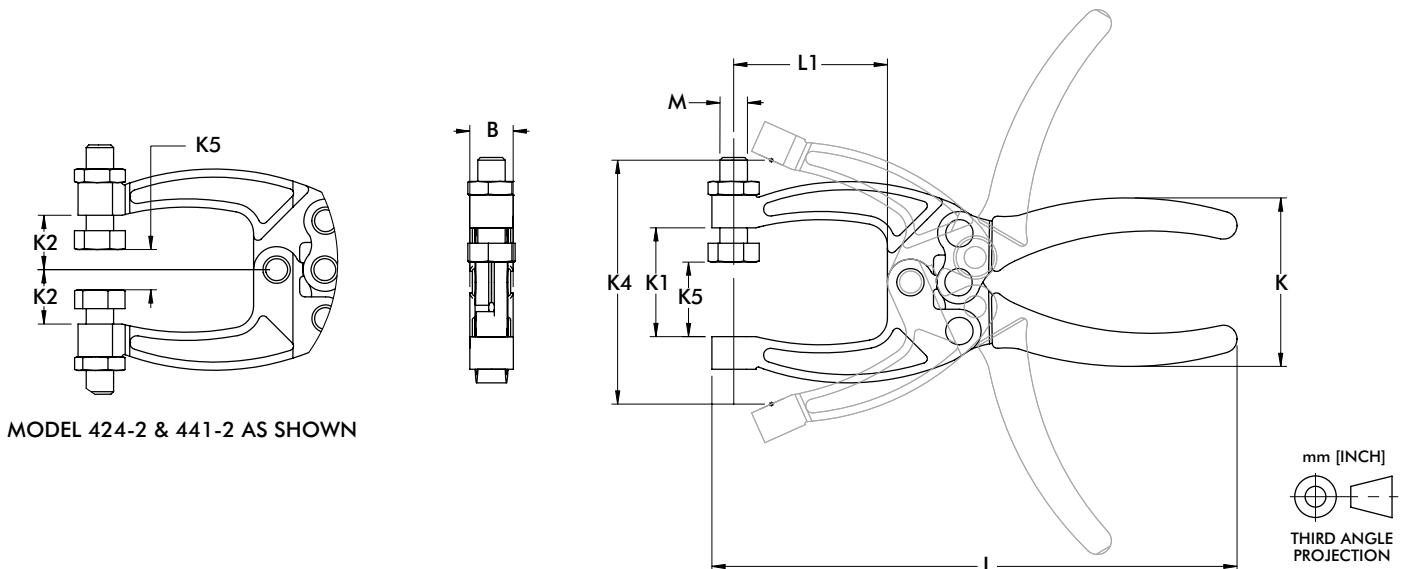
441-2

With Two Adjustable Spindles



Technical Information | Holding Capacities | Dimensions

Model	Max. Holding Capacity	Weight	(K5) Maximum Clamping Thickness	Spindle (Supplied)
424	[200 lbf] 900 N	[0.31 lbs] 0,14 kg	16 [0.63]	424208-M
424-2			7,4 [0.29]	(2X) 431208-M
441	[350 lbf] 1560 N	[0.63 lbs] 0,29 kg	23,3 [1.03]	441203-M
441-2			20,8 [0.82]	(2X) 461203-M



Model	B	K	K1	K2	K4	L	L1	M
424	[0.50] 12.8	[1.91] 48.5	[1.00] 25.4	[0.50] 12.7	[2.06] 52.3	[4.63] 117.6	[1.08] 27.4	M6
441	[0.50] 12.7	[2.07] 52.5	[1.25] 31.8	[0.63] 15.9	[2.80] 71.2	[6.03] 153.1	[1.77] 44.9	M8

Features:

- Tempered spring steel jaws provide exceptional jaw depth

Applications:

- Assembly
- Gluing, soldering

Also Available:

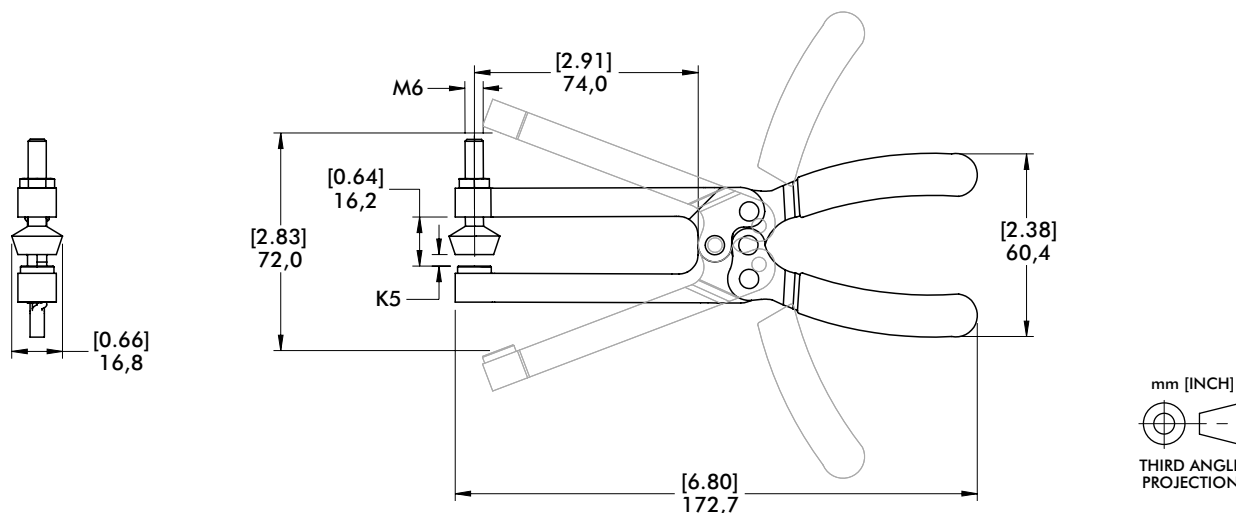
See page MC-ACC-1 for accessories

431



Technical Information | Holding Capacities | Dimensions

Model	Max. Holding Capacity	Weight	(K5) Maximum Clamping Thickness	Spindle (Supplied)
431	[100 lbf] 400 N	[0.31 lbs] 0,14 kg	6,8 [0.27]	424208-M



460, 480 SERIES

Squeeze Action Plier Clamps | Product Overview

Features:

- Drop forged alloy steel components for exceptional strength
- Two way trigger release allows for fast and easy opening of clamp

Applications:

- Assembly
- Welding

Also Available:

See page MC-ACC-1 for accessories

462



462-2

With Two Adjustable Spindles



463



482



484



486

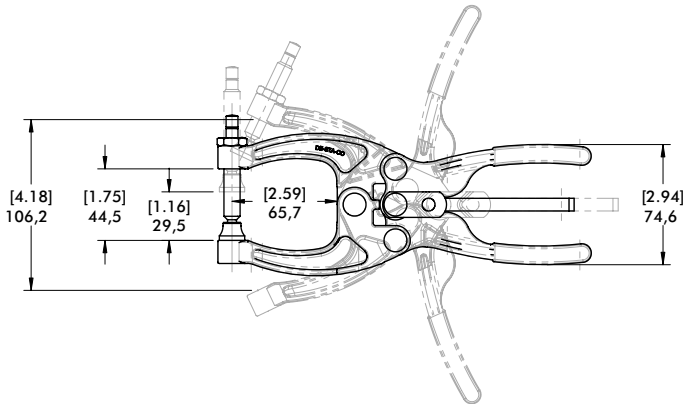
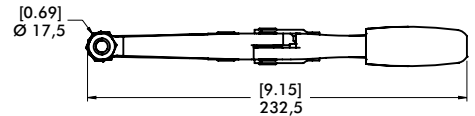
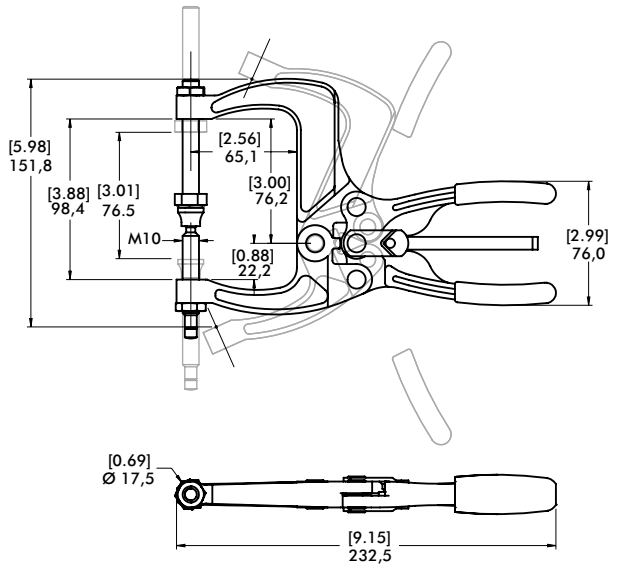
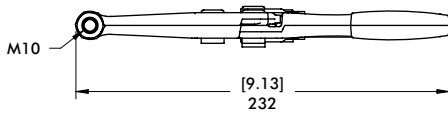
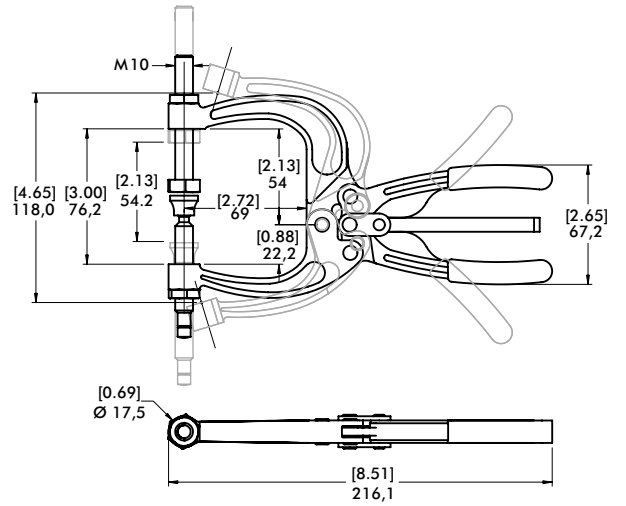
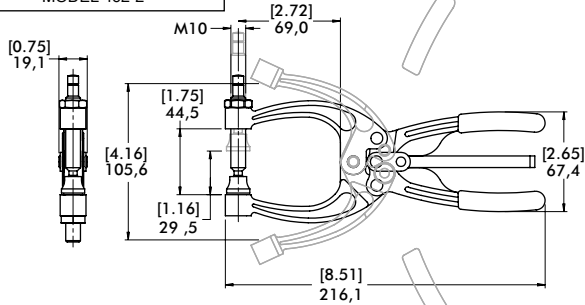
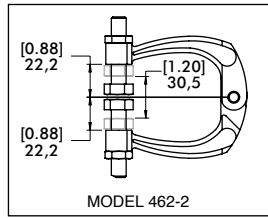


Technical Information | Holding Capacities

Model	Max. Holding Capacity	Weight	Maximum Clamping Thickness	Spindle (Supplied)
462	[700 lbf] 3110 N	0,51 kg [1.13 lbs]	29,5 [1.16]	468206-M
462-2			30,5 [1.20]	(2X) 491203-M
463		0,54 kg [1.19 lbs]	54,2 [2.13]	468206-M 210203-M
482	[1200 lbf] 5340 N	0,79 kg [1.75 lbs]	29,5 [1.16]	468206-M
484			0,91 kg [2.00 lbs]	76,5 [3.01]
486		4450 N [1000 lbf]	1,05 kg [2.31 lbs]	138,4 [5.45]

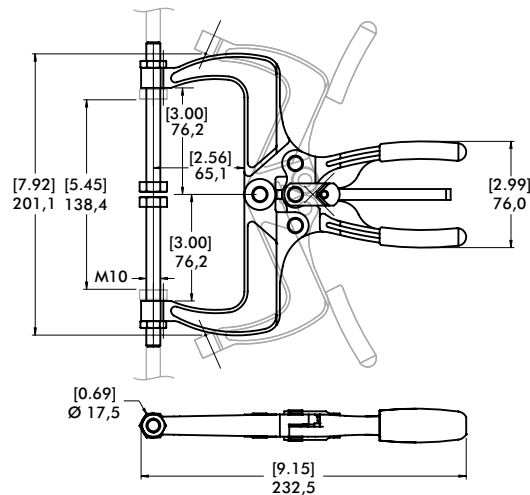
460, 480 SERIES

Squeeze Action Plier Clamps | Dimensions

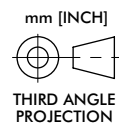


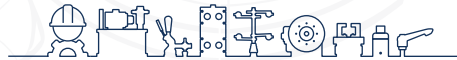
MODEL 482 AS SHOWN

MODEL 484 AS SHOWN



MODEL 486 AS SHOWN





inf @ /CESEHSA.com.mx

