

Single Shaft Pin Packages

01/28/2025



info@cesehsa.com.mx

cesehsa.com.mx



Single Shaft Pin Packages

01/28/2025

This catalog is a custom document and the products included is based on your unique selection from portions of complete catalogs that already exist. Please refer to our full catalogs for more information on products not included in this customized document.

Table of Contents

Single Shaft Pin Packages

PC-PKG-1

Single Shaft Pin Packages

01/28/2025

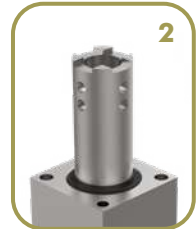
Table of Contents (continued)

86P30-5

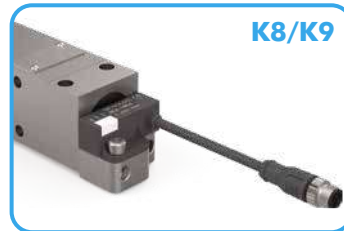
Pneumatic Pin Package | Single Shaft | Ordering and Technical Information

86P30-5	02	L8	00	4
				Accessories
				00
		Description	Stroke	Description
		No Accessories	2	20 mm Stroke
			4	40 mm Stroke

Piston Rod	Description
02	Ø16 mm M6 Threaded Inside Hole, Cross Groove
05	Ø10 mm M8 Threaded Inside Hole, Cross Groove



Sensor	Description
L8	PNP Sensor with In-line M12x1 Connector (8EA-146-4-B)
N8	NPN Sensor with In-line M12x1 Connector (8EA-154-4-B)
L9	PNP Sensor with 90° M12x1 Connector (8EA-147-4-B)
N9	NPN Sensor with 90° M12x1 Connector (8EA-155-4-B)
K8	PNP Sensor with M12x1 Cable Connector (8EA-158-4-B)
K9	NPN Sensor with M12x1 Cable Connector (8EA-167-4-B)



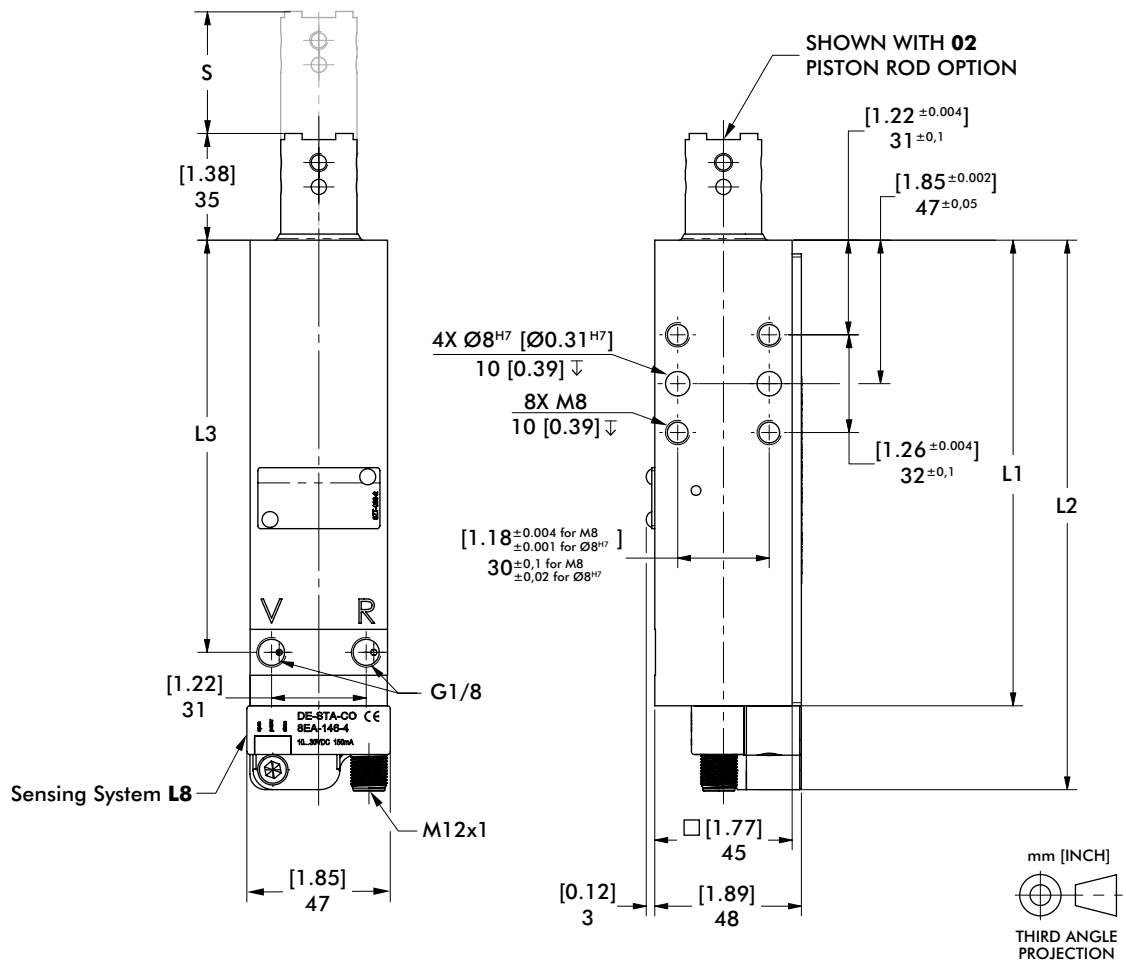
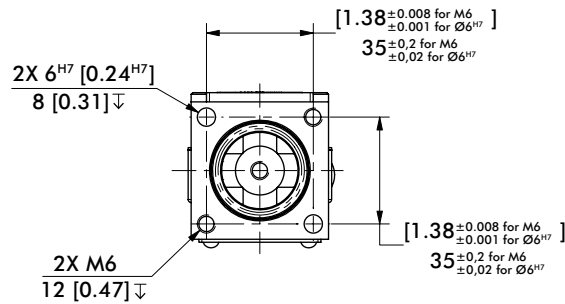
Sensor Cables Order separately

Order No.	Description
8EL-002-1	M12x1, Straight, 5-pin Connector with 5 m [16 ft.] Cable
8EL-003-1	M12x1, Angular, 4-pin Connector with 5 m [16 ft.] Cable

86P30-5

Stroke Option:	2, 4
Max Pushing Force at 5 bar [72 psi]:	340 N [76 lbf]
Max Retracting Force at 5 bar [72 psi]:	250 N [56 lbf]

Pneumatic Pin Package | Single Shaft | Dimensions and Technical Specifications



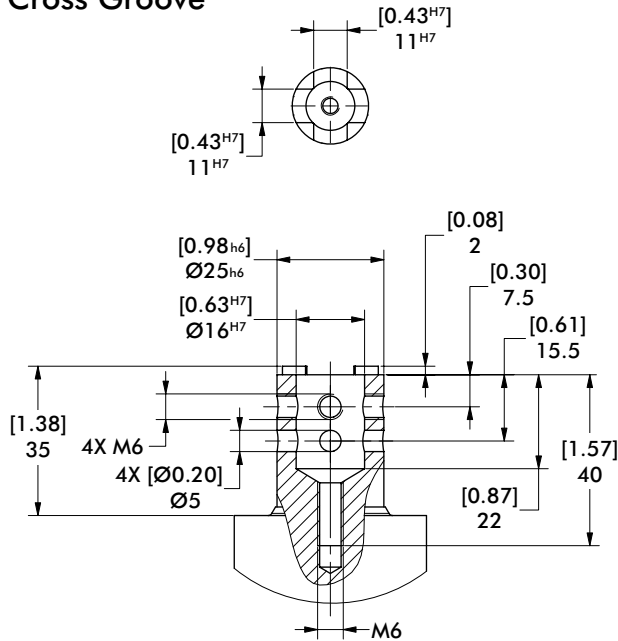
Medium: Operation with oil free air permissible

Base Model	Stroke Option	S Stroke mm [in]	L1 mm [in]	L2 mm [in]	L3 mm [in]	Pushing force at 5 bar N [lbs]	Retraction force at 5 bar N [lbs]	Max. operating pressure bar [psi]	Piston Ø mm [in]	Weight Kg [lbs]	Air consumption per double stroke at 5 bar dm ³ [ft ³]
86P30-5	2	20 [0.79]	112,5 [4.43]	140 [5.51]	95 [3.74]	340 [76]	250 [56]	6 [87]	30 [1.18]	0,8 [1.76]	0,32 [0.011]
	4	40 [1.57]	152,5 [6.00]	180 [7.09]	135 [5.30]	340 [76]	250 [56]	6 [87]	30 [1.18]	1 [2.20]	0,45 [0.015]

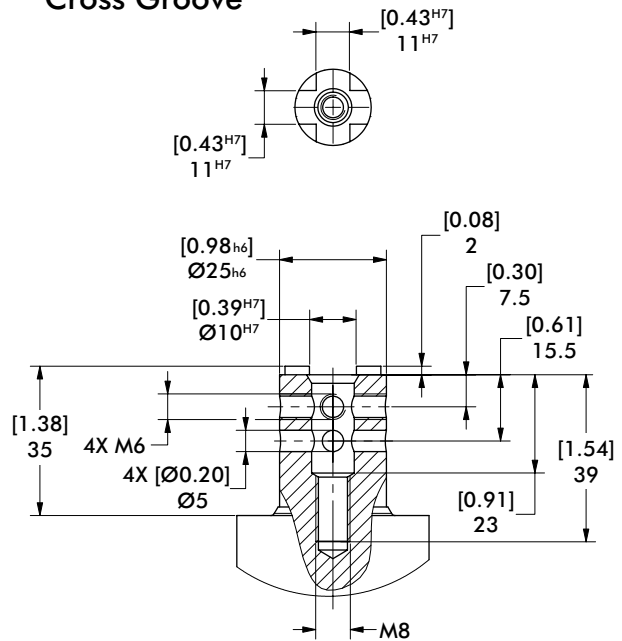
86P30-5 PISTON RODS

Pneumatic Pin Package | Single Shaft | Dimensions and Technical Specifications

02 Ø16 mm M6 Threaded Inside Hole, Cross Groove

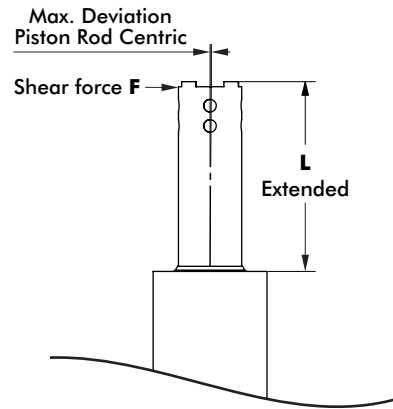


05 Ø10 mm M8 Threaded Inside Hole, Cross Groove

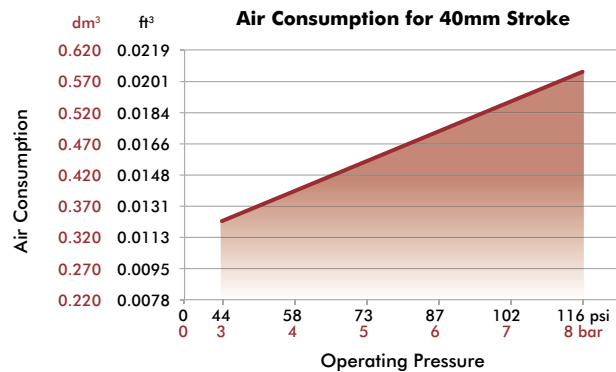
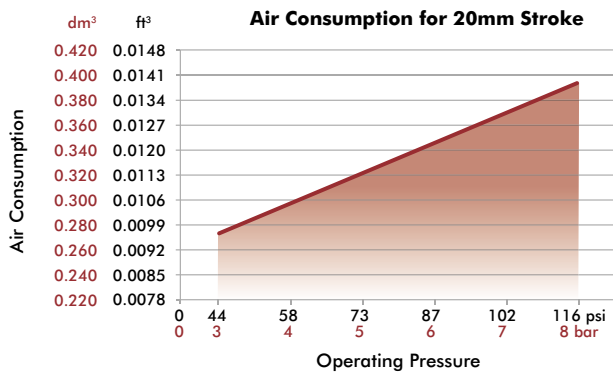


Max Deflection for Centering Pin

Model no.	Shear force N [lbs]	L mm [in]	Stroke mm [in]	Deflection ± mm [in]
86P30-50***004	200 [45]	75 [2.95]	40 [1.58]	0,12 [0.0047]
	150 [34]			0,10 [0.0039]
	100 [22]			0,08 [0.0031]
	75 [17]			0,06 [0.0023]
86P30-50***002	200 [45]	55 [2.17]	20 [0.79]	0,07 [0.0027]
	150 [34]			0,06 [0.0023]
	100 [22]			0,06 [0.0023]
	75 [17]			0,05 [0.0019]



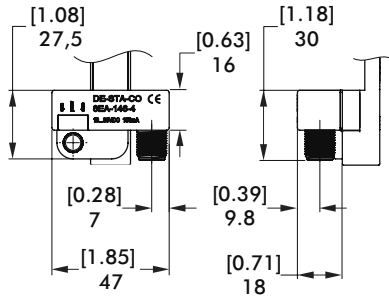
Air Consumption



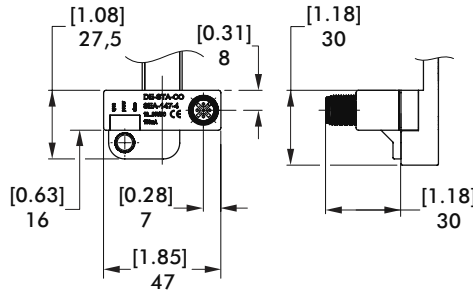
86P30-5 SENSORS

Pneumatic Pin Package | Single Shaft | Dimensions and Technical Specifications

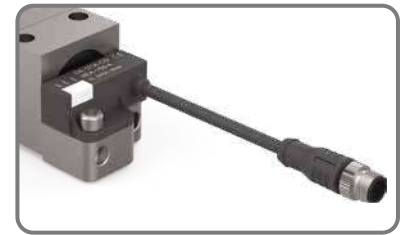
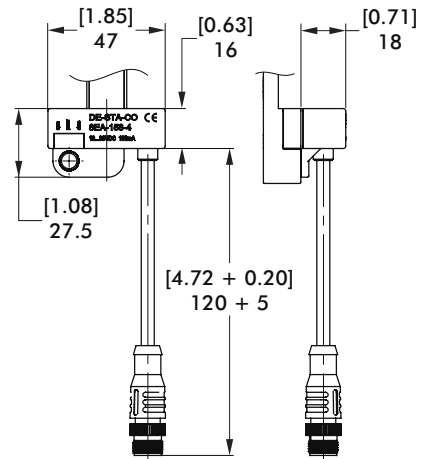
L8, N8 Inductive Sensing System



L9, N9 Inductive Sensing System with 90° Connector

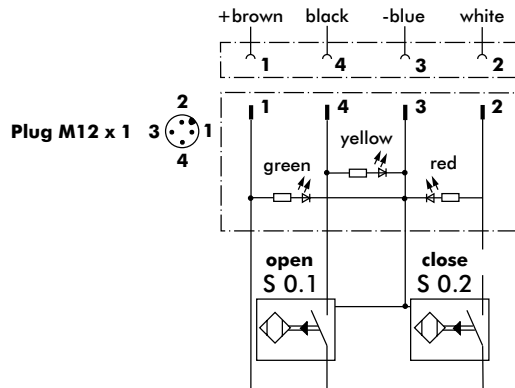


K8, K9 Inductive Sensing System with Pigtail Connector



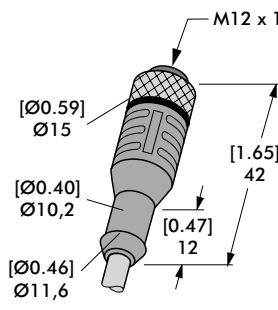
Inductive Sensor Wiring Diagram

Sensing system immune to interference from AC / DC arc welding.

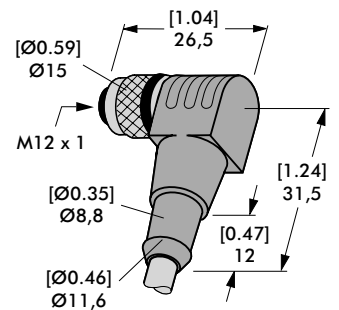


Sensor Cable Accessories

Sensor Cables (1 connector & 5m cable)	Order no.
M12x1 connector, straight, 5-pin	8EL-002-1
M12x1 connector, 90° angular, 4-pin	8EL-003-1



Straight Cable
8EL-002-1



Angular Cable
8EL-003-1

86P40/86P60

Pneumatic Pin Package | Single Shaft | Ordering and Technical Information

86P40

-2

02

D8

G1

A

-K

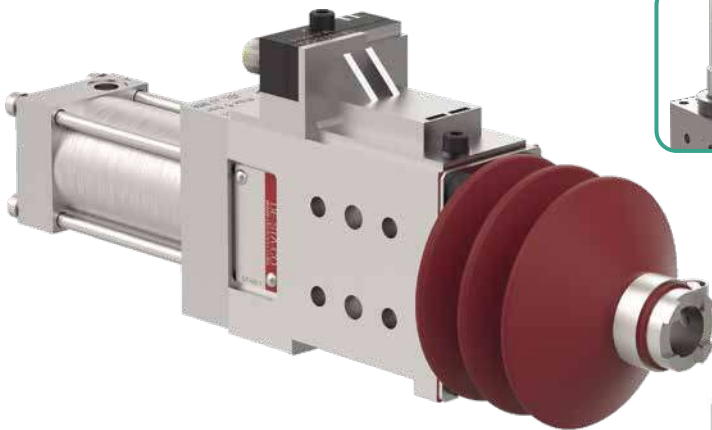
Ceramic Option
for Piston Rod
K

Base Model	Description
86P40	40 mm Cylinder (G1/8 Port)
86P60	63 mm Cylinder (G1/4 Port)

Hand Lever	Description
-2	No Handle
H2	Handle for Manual Control for 86P60 only (excludes F, 8 stroke option)



Piston Rod	Description
01	Ø16 mm Inside Hole (Standard)
02	Ø16 mm M6 Threaded Inside Hole, Cross Groove
04	NAAMS Standard
A4	NAAMS Standard Rotated 180°
B4	NAAMS Standard Rotated 90°
C4	NAAMS Standard Rotated 270°
05	Ø10 mm Inside Hole, Cross Groove
07	Ø16 mm Inside Hole, NAAMS
09	Ø20 mm Straight Groove
10	Ø12 mm Straight Groove



86P40

86P60

Stroke Option:

B, A, 2, 4 C, 6 F, 8

B, A, 2, 4 C, 6 F, 8

Max Pushing Force at 5 bar [72 psi]:

620 N [139 lbf]

1550 N [348 lbf]

Max Retracting Force at 5 bar [72 psi]:

520 N [117 lbf]

1400 N [315 lbf]

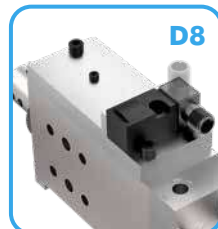
Accessories	Description
00	No Accessories
F1	Bellows for piston rods 02, 05, 07, 10 in strokes B, A, 2, 4 (82ZB-013-3)
R1	Guide Bushing for piston rods 01, 02, 05 (82ZB-192-1)



Stroke	Description
	Anti-Twist Device/Low Accuracy
B	20 mm Stroke (8MF-071-1)
A	40 mm Stroke (8CE-231-1)
C	60 mm Stroke (8CE-231-1)
F	80 mm Stroke (8CE-231-1)
	Anti-Twist Device
2	20 mm Stroke (86P0-20000002)
4	40 mm Stroke (86P0-20000004)
6	60 mm Stroke (86P0-20000006)
8	80 mm Stroke (86P0-20000008)



Sensor	Description
L4	Cover Plate for B, A, 2, 4 (86P0-200L4)
L6	Cover Plate for C, 6 (86P0-200L6)
L8	Cover Plate for F, 8 (86P0-200L8)
D8	Inductive Sensing System with 90° M12x1 Swivel Connector for B, A, 2, 4 (86P0-200D8), for C, 6 (86P0-200D8006), for F, 8 (86P0-200D8008)

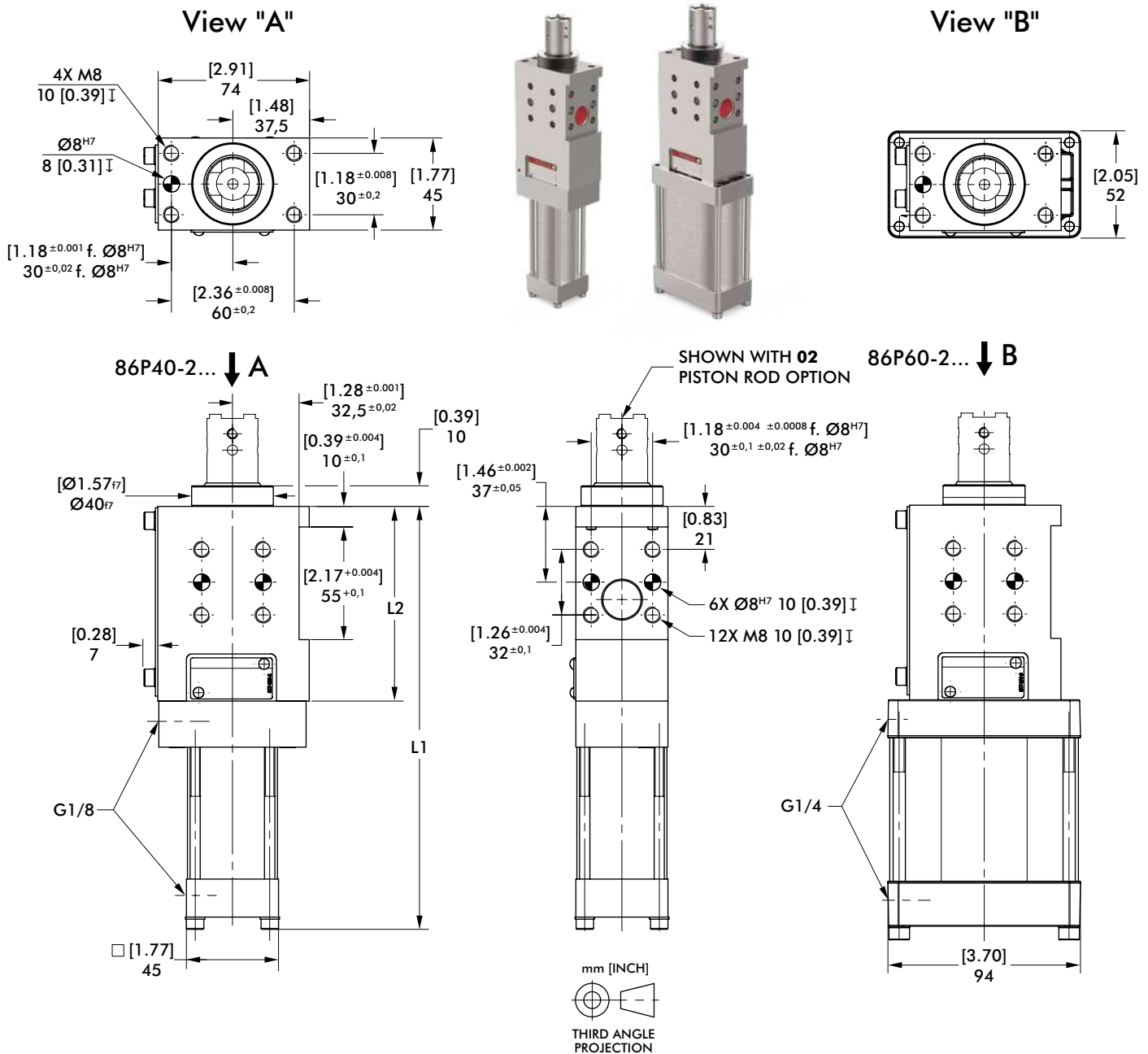


Sensor Cables Order separately

Order No.	Description
8EL-002-1	M12x1, Straight, 5-pin Connector with 5 m [16 ft.] Cable
8EL-003-1	M12x1, Angular, 4-pin Connector with 5 m [16 ft.] Cable

86P40-2/86P60-2

Pneumatic Pin Package | Single Shaft | Dimensions and Technical Specifications

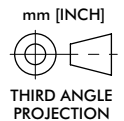
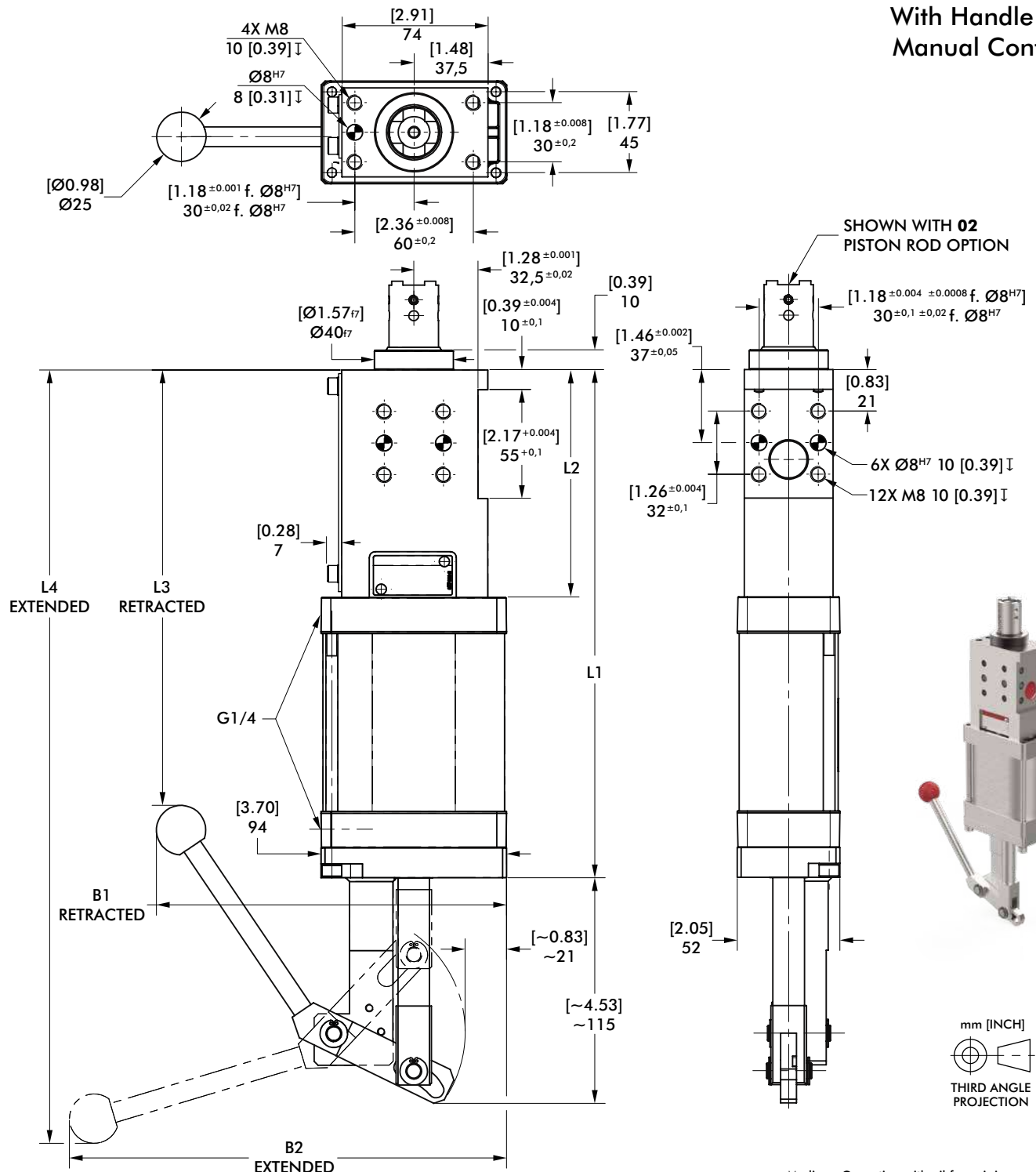


Medium: Operation with oil free air is permissible

Base Model	Stroke Option	Stroke +2 [0.08] mm [in]	L1 mm [in]	L2 mm [in]	Pushing force at 5 bar N [lbs]	Retraction force at 5 bar N [lbs]	Max. operating pressure bar [psi]	Piston Ø mm [in]	Weight Kg [lbs]	Air consumption per double stroke at 5 bar dm ³ [ft ³]		
86P40	B, 2	20 [0.79]	207 [8.15]	95 [3.74]	620 [139]	520 [117]	6 [87]	40 [1.57]	1,6 [3.52]	0,5 [0.017]		
	A, 4	40 [1.57]		0,7 [0.025]								
	C, 6	60 [2.36]		247 [9.72]					115 [4.53]	2,0 [4.40]	0,9 [0.032]	
	F, 8	80 [3.15]		287 [11.30]					135 [5.31]	2,4 [5.29]	1,0 [0.035]	
86P60	B, 2	20 [0.79]	213 [8.39]	95 [3.74]	1550 [348]	1400 [315]		6 [87]	63 [2.48]	2,0 [4.40]	0,8 [0.028]	
	A, 4	40 [1.57]		1,4 [0.049]								
	C, 6	60 [2.36]		253 [9.96]						115 [4.53]	2,5 [5.51]	2,0 [0.070]
	F, 8	80 [3.15]		293 [11.54]						135 [5.31]	2,8 [6.17]	2,5 [0.088]

Pneumatic Pin Package | Single Shaft | Dimensions and Technical Specifications

With Handle for Manual Control

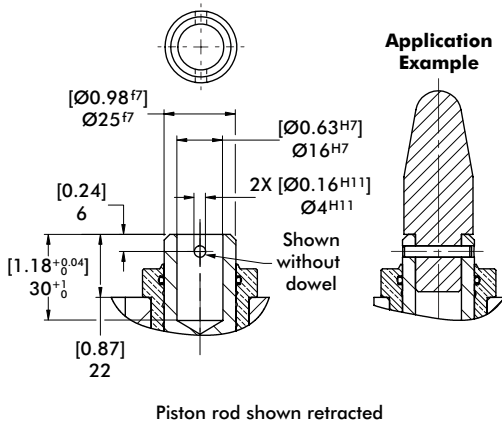


Base Model	Stroke Option	Stroke +2 [0.08] mm [in]	B1 (retracted) mm [in]	B2 (extended) mm [in]	L1 mm [in]	L2 mm [in]	L3 (retracted) mm [in]	L4 (extended) mm [in]	Weight Kg [lbs]
86P60H2	B, 2	20 [0.79]		216 [8.50]	217 [8.54]	95 [3.74]	179 [7.05]	253 [9.96]	2,3 [5.07]
	A, 4	40 [1.57]	177 [6.97]	229 [9.02]				306 [12.05]	
	C, 6	60 [2.36]		223 [8.78]	257 [10.12]	115 [4.53]	220 [8.66]	392 [15.43]	2,6 [5.73]

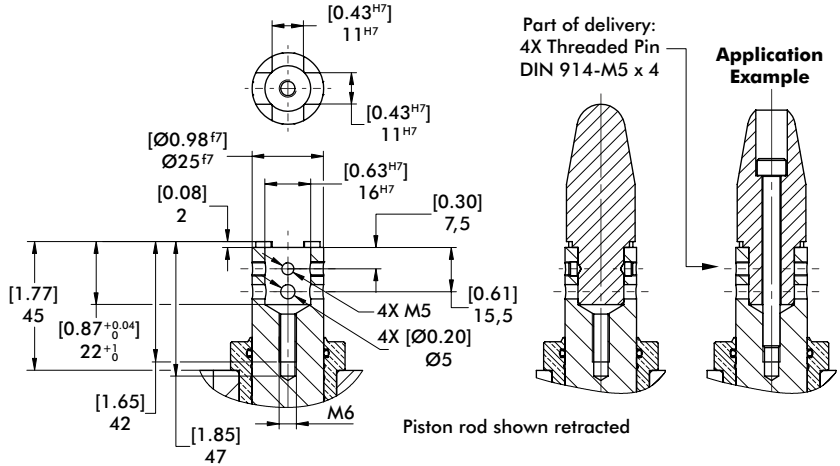
86P40/86P60 PISTON RODS

Pneumatic Pin Package | Single Shaft | Dimensions and Technical Specifications

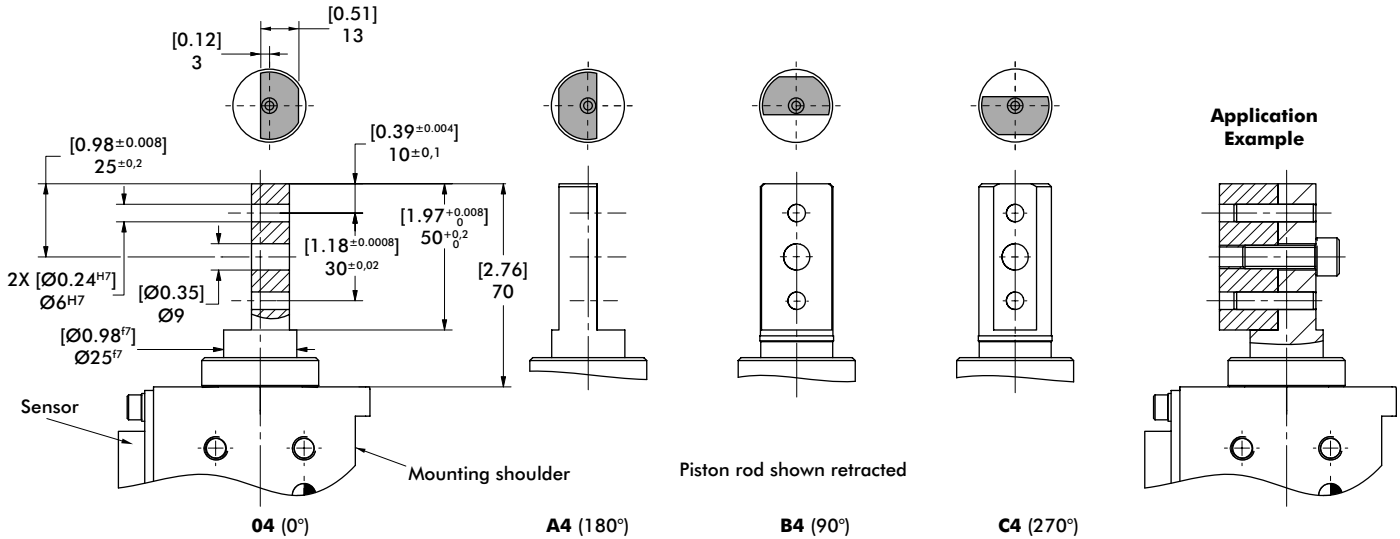
01 Ø16 mm Inside Hole



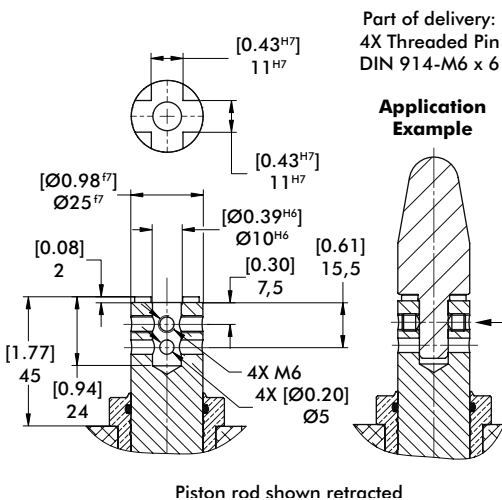
02 Ø16 mm M6 Threaded Inside Hole, Cross Groove



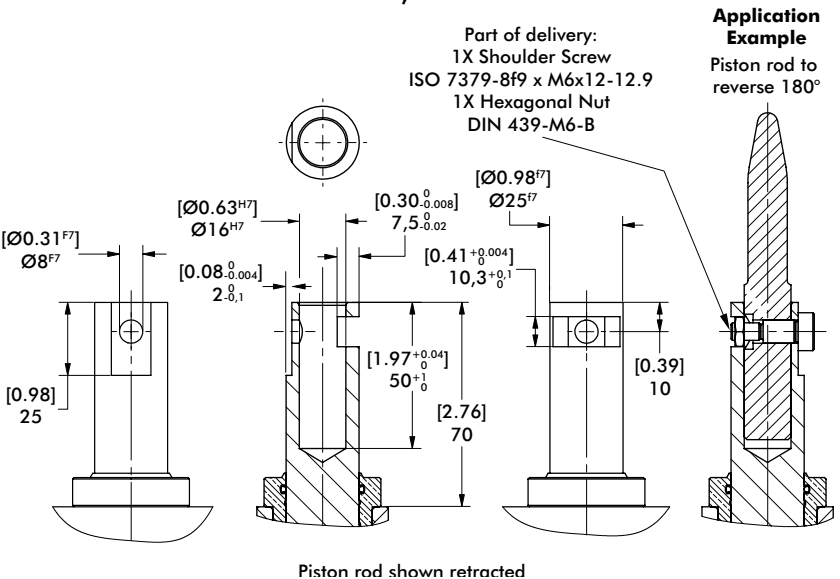
04, A4, B4, C4 NAAMS Standard



05 Ø10 mm Inside Hole, Cross Groove



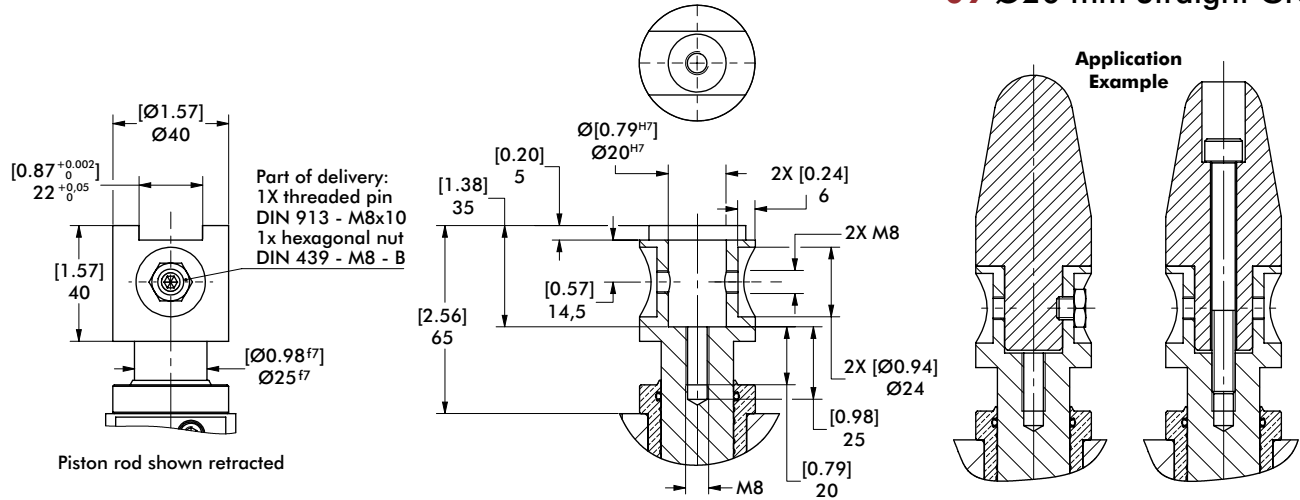
07 Ø16 mm Inside Hole, NAAMS



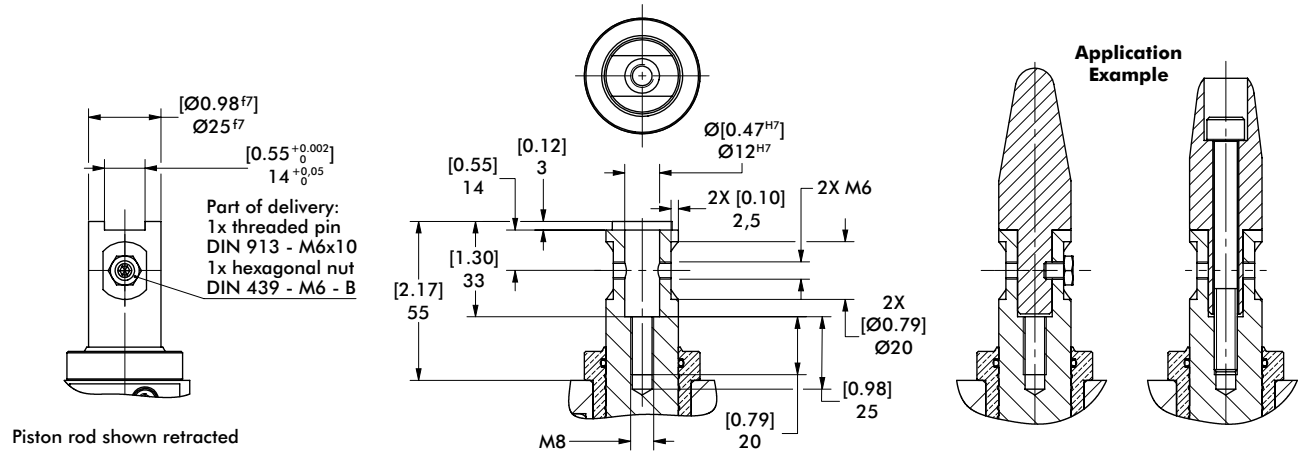
86P40/86P60 PISTON RODS

Pneumatic Pin Package | Single Shaft | Dimensions and Technical Specifications

09 Ø20 mm Straight Groove



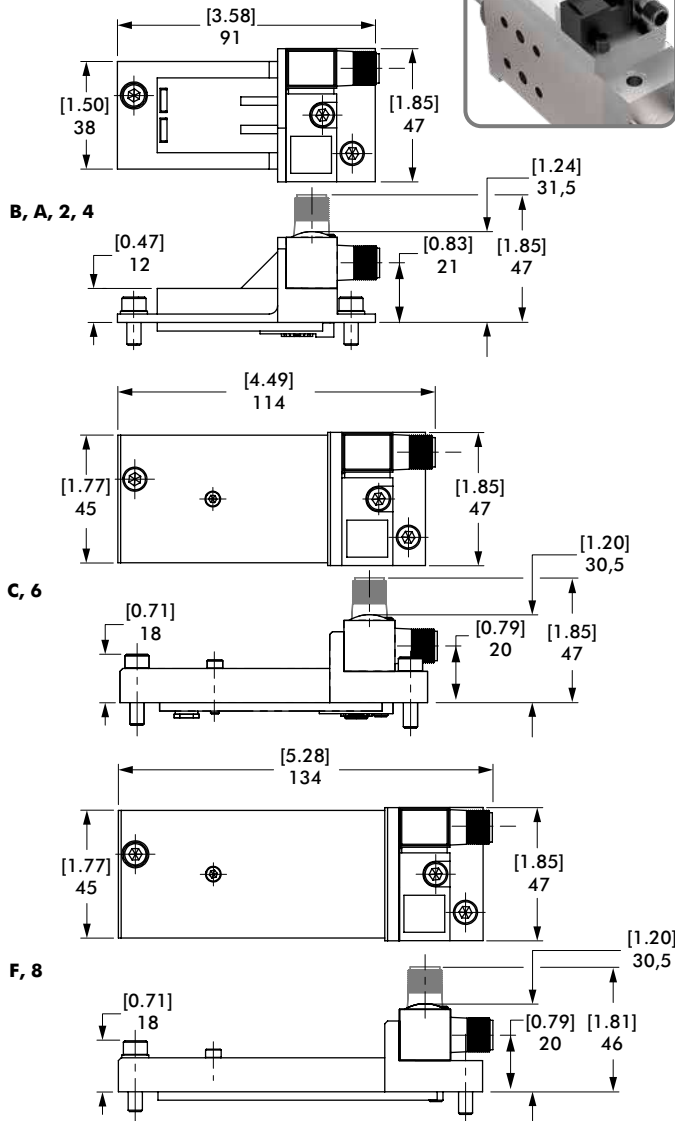
10 Ø12 mm Straight Groove



86P40/86P60 SENSORS

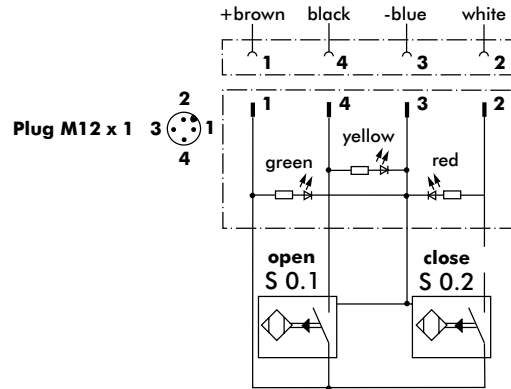
Pneumatic Pin Package | Single Shaft | Dimensions and Technical Specifications

D8 Inductive Sensing System with 90° Swivel Connector

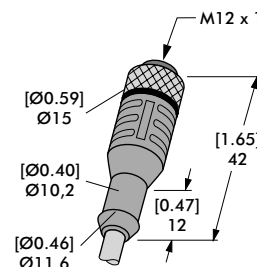


Inductive Sensor Wiring Diagram

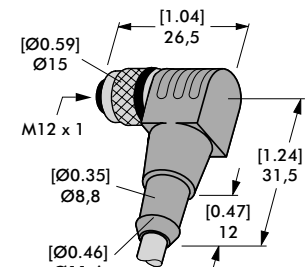
Sensing system immune to interference from AC / DC arc welding.



Sensor Cable Accessories



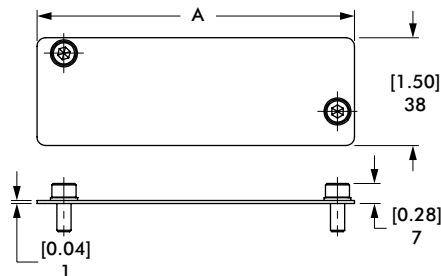
Straight: 8EL-002-1



Angular: 8EL-003-1

Order no.	Sensor Cables (1 connector & 5m cable)
8EL-002-1	M12x1, Straight, 5-pin Connector with 5 m [16 ft.] Cable
8EL-003-1	M12x1, Angular, 4-pin Connector with 5 m [16 ft.] Cable

L4, L6, L8 Sensor Cover Plate

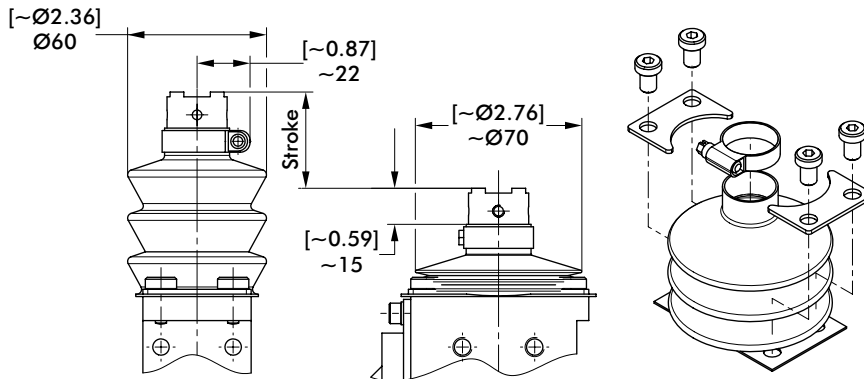


Cover Plate Option	Stroke Option	A mm [in]
L4	B, A, 2, 4	92 [3.62]
L6	C, 6	112 [4.41]
L8	F, 8	132 [5.20]

86P40/86P60 ACCESSORIES

Pneumatic Pin Package | Single Shaft | Dimensions and Technical Specifications

F1 Bellows (Piston Rod Cover)

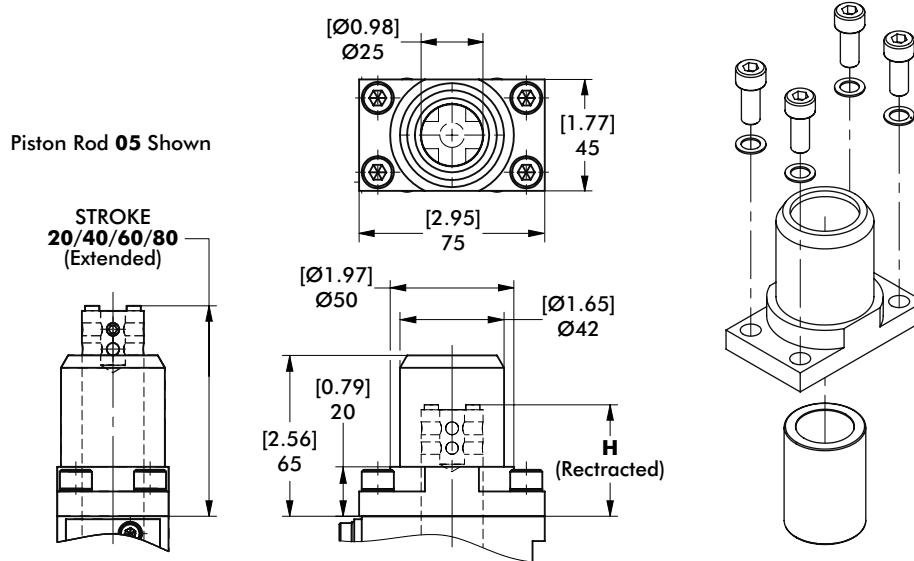


Extended



Retracted

R1 Guide Bushing

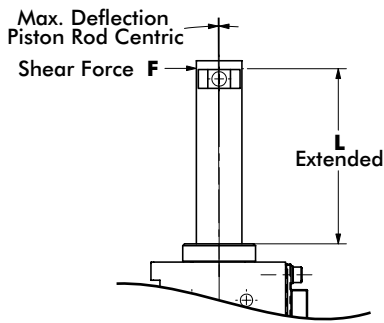


Model No.	Piston Rod Adapter	Stroke				
		H mm [in]	20 mm [in]	40 mm [in]	60 mm [in]	80 mm [in]
86P40-2...	01	22 [0.87]	42 [1.65]	62 [2.44]	82 [3.23]	102 [4.02]
86P60-2...	02	45 [1.77]	65 [2.56]	85 [3.35]	105 [4.13]	125 [4.92]
86P60H2...	05					
56H40-2...						

86P40/86P60

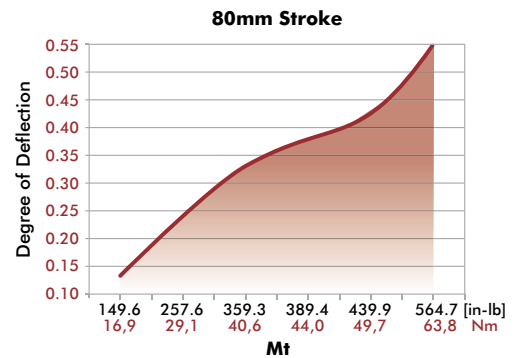
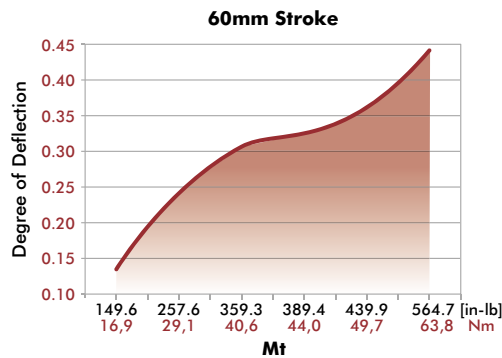
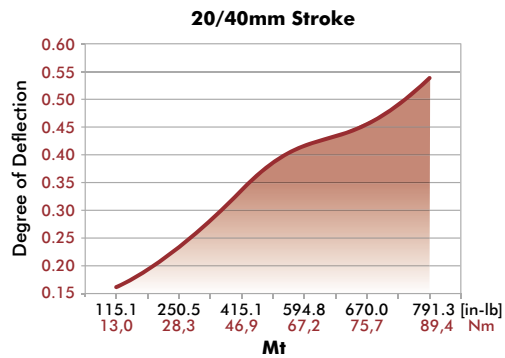
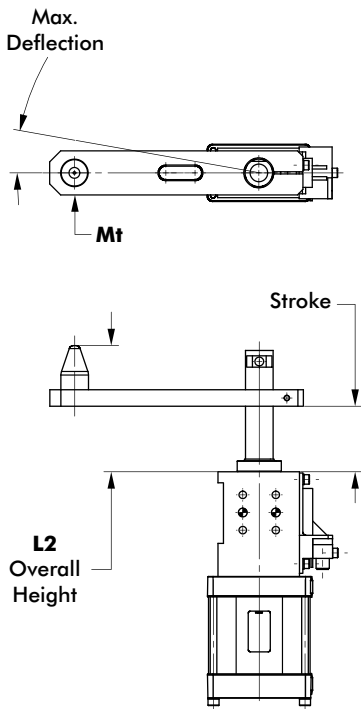
Pneumatic Pin Package | Single Shaft | Technical Specifications

Maximum Deflection for Centering Pin

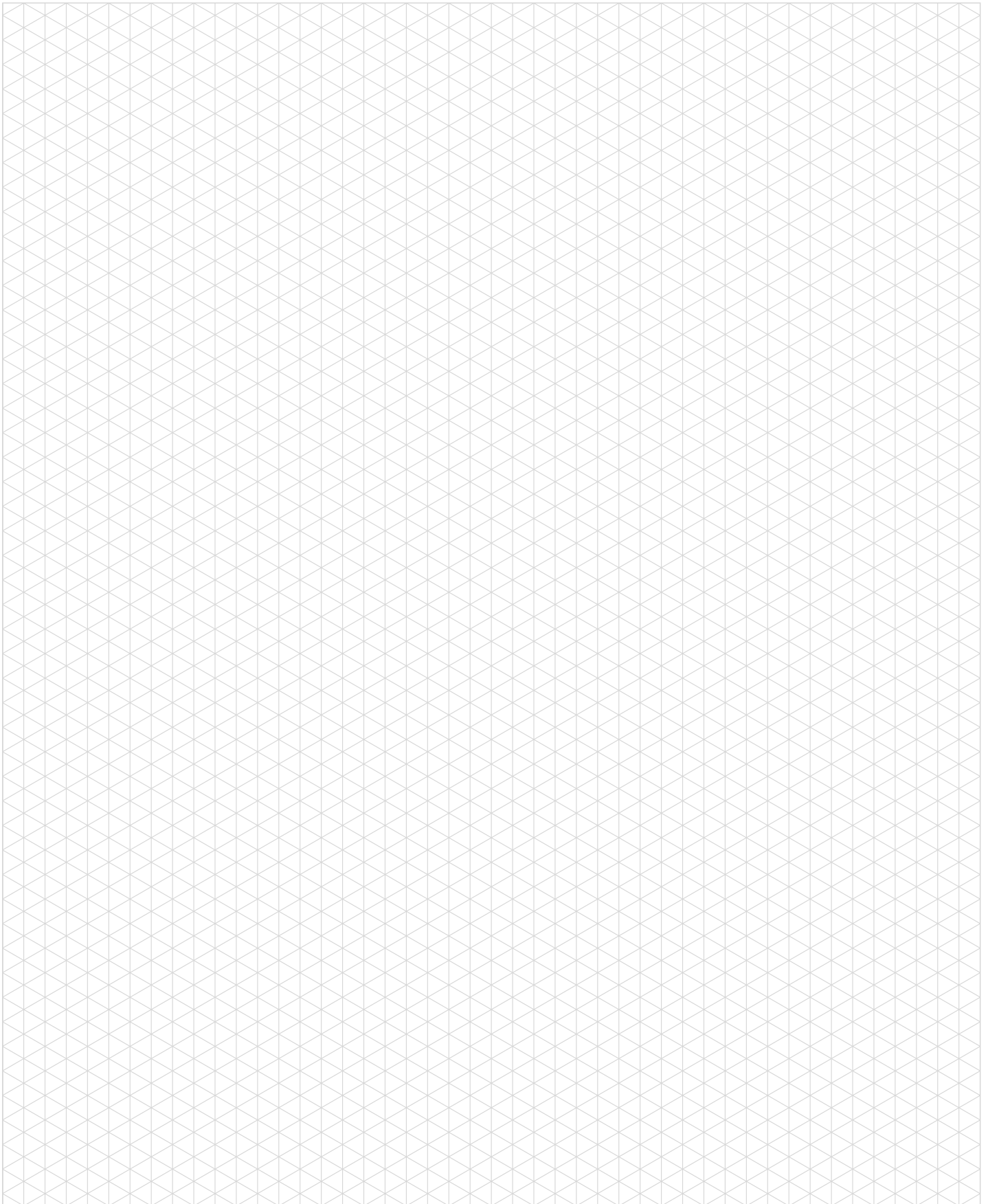


Model no.	Shear force N [lbs]	L mm [in]	Stroke mm [in]	Deflection mm [in]
86P40 / 60-2...B / 2	200 [45]	52 [2.05]	20 [0.79]	0,06 [0.002]
86P40 / 60-2...A / 4		70 [2.76]	40 [1.58]	0,09 [0.004]
86P40 / 60-2...C / 6		90 [3.54]	60 [2.36]	0,12 [0.005]
86P40 / 60-2...F / 8		115 [4.53]	80 [3.15]	0,15 [0.006]

Caution: Generally we recommend using an external guide when the transverse force is more than 200 N [45 lbs]. Also independently of the stroke, less transverse forces, when the overall height $L2 > 120$ mm [4.7 in] ($L2$ = extended piston rod plus centering pin).

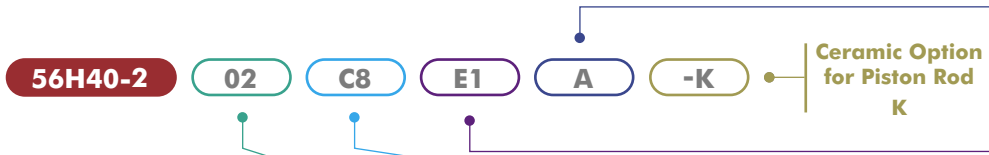


Caution: Generally we recommend using an external guide when the transverse force is more than 200 N [45 lbs]. Also independently of the stroke, less transverse forces, when the overall height $L2 > 120$ mm [4.7 in] ($L2$ = extended piston rod plus centering pin).

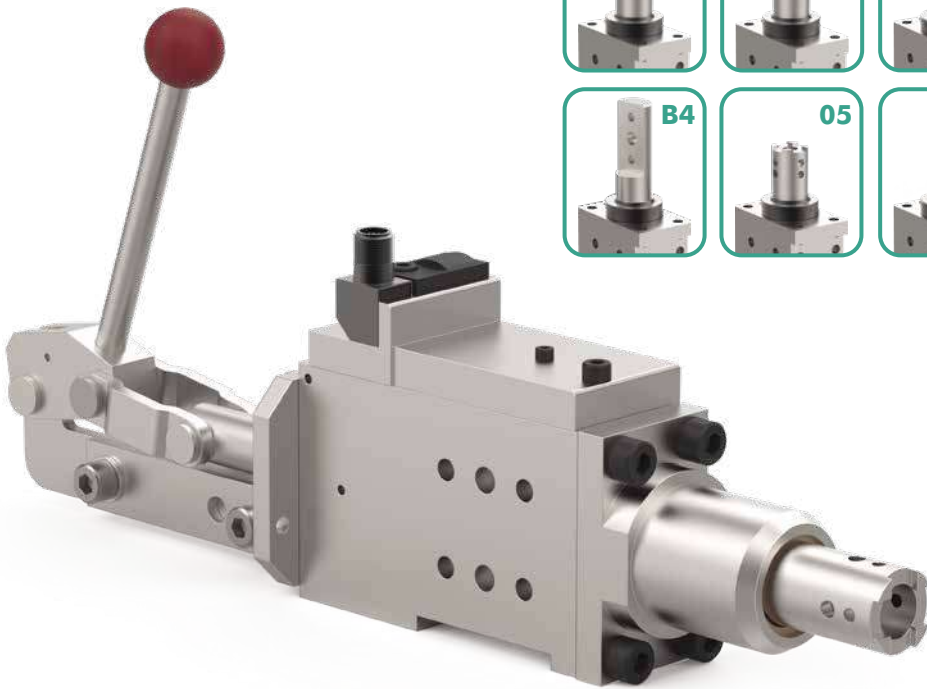
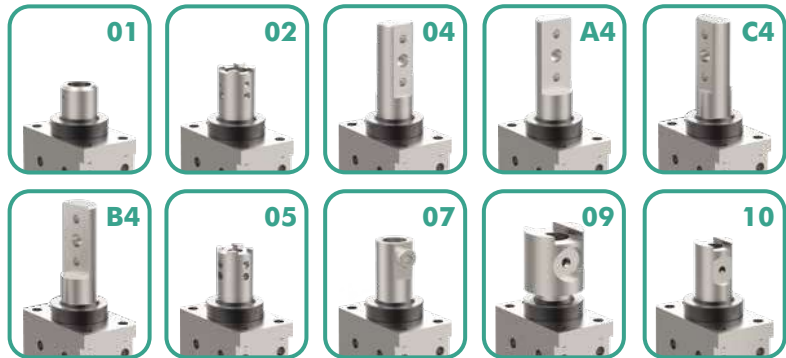


56H40-2

Manual Pin Package | Single Shaft | Ordering Information



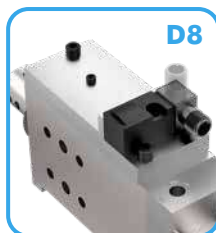
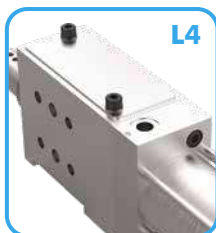
Piston Rod	Description
01	Ø16 mm Inside Hole (Standard)
02	Ø16 mm M6 Threaded Inside Hole, Cross Groove
04	NAAMS Standard
A4	NAAMS Standard Rotated 180°
B4	NAAMS Standard Rotated 90°
C4	NAAMS Standard Rotated 270°
05	Ø10 mm Inside Hole, Cross Groove
07	Ø16 mm Inside Hole, NAAMS
09	Ø20 mm Straight Groove
10	Ø12 mm Straight Groove



Accessories	Description
00	No Accessories
F1	Bellows for piston rods 02, 05, 07, 10 in strokes B, A, 2, 4 (82ZB-013-3)
R1	Guide Bushing for piston rods 01, 02, 05 (82ZB-192-1)



Sensor	Description
L4	Cover Plate for B, A, 2, 4 (86P0-200L4)
L6	Cover Plate for C, 6 (86P0-200L6)
D8	Inductive Sensing System with 90° M12x1 Swivel Connector for B, A, 2, 4 (86P0-200D8), for C, 6 (86P0-200D8006)



Sensor Cables Order separately

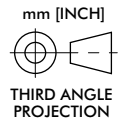
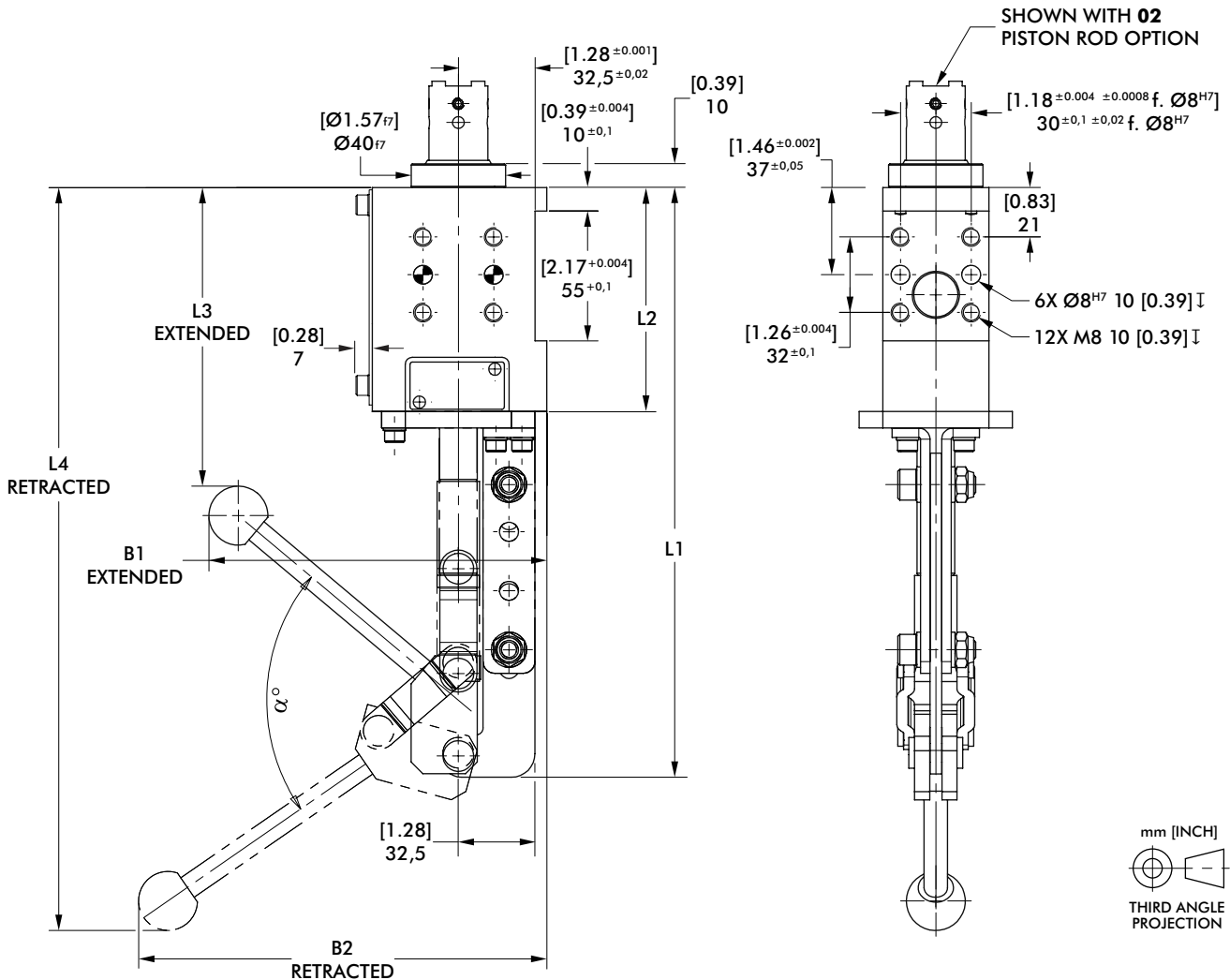
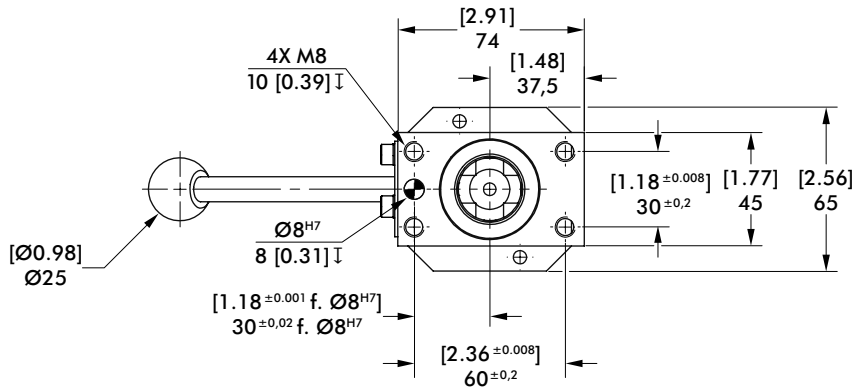
Order No.	Description
8EL-002-1	M12x1, Straight, 5-pin Connector with 5 m [16 ft.] Cable
8EL-003-1	M12x1, Angular, 4-pin Connector with 5 m [16 ft.] Cable

Stroke	Description
	Anti-Twist Device/Low Accuracy
B	20 mm Stroke (8MF-071-1)
A	40 mm Stroke (8CE-231-1)
C	60 mm Stroke (8CE-231-1)
	Anti-Twist Device
2	20 mm Stroke (86P0-20000002)
4	40 mm Stroke (86P0-20000004)
6	60 mm Stroke (86P0-20000006)



56H40-2

Manual Pin Package | Single Shaft | Dimensions and Technical Specifications

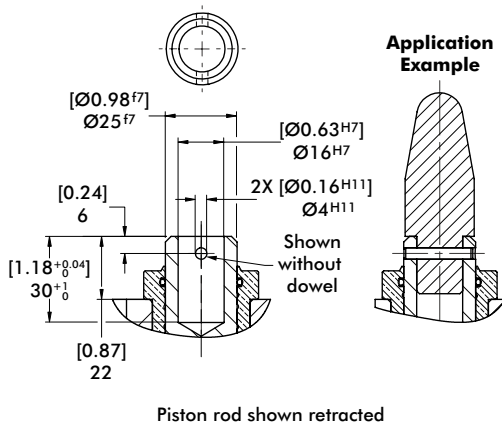


Base Model	Stroke Option	Stroke +2 mm [in]	B1 (extended) mm [in]	B2 (retracted) mm [in]	L1 (max.) mm [in]	L2 mm [in]	L3 (extended) mm [in]	L4 (retracted) mm [in]	Opening Angle α	Weight Kg [lbs]
56H40-2	B, 2	20 [0.79]		188 [7.40]	270 [10.63]		146 [5.75]	277 [10.91]	50°	2,0 [4.41]
	A, 4	40 [1.57]	144 [5.67]	173 [6.81]	250 [9.84]	95 [3.74]	126 [4.96]	315 [12.40]	75°	
	C, 6	60 [2.36]		116 [4.57]	270 [10.63]	115 [4.53]	146 [5.75]	394 [15.51]	109°	

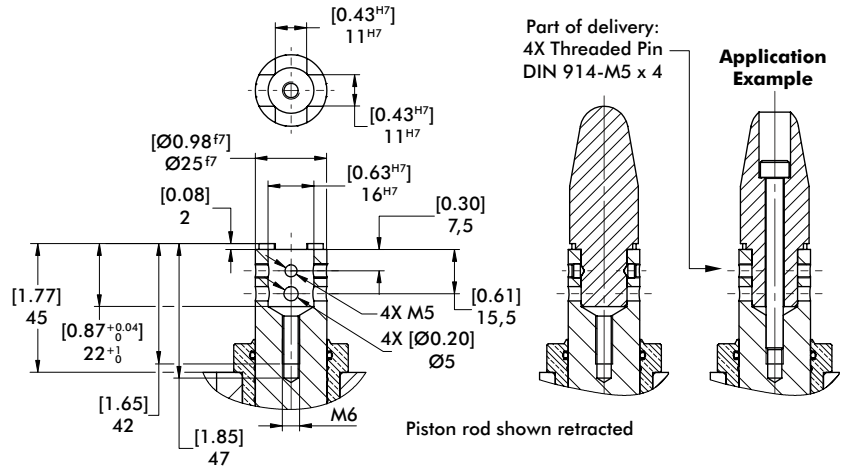
56H40-2 PISTON RODS

Manual Pin Package | Single Shaft | Dimensions and Technical Specifications

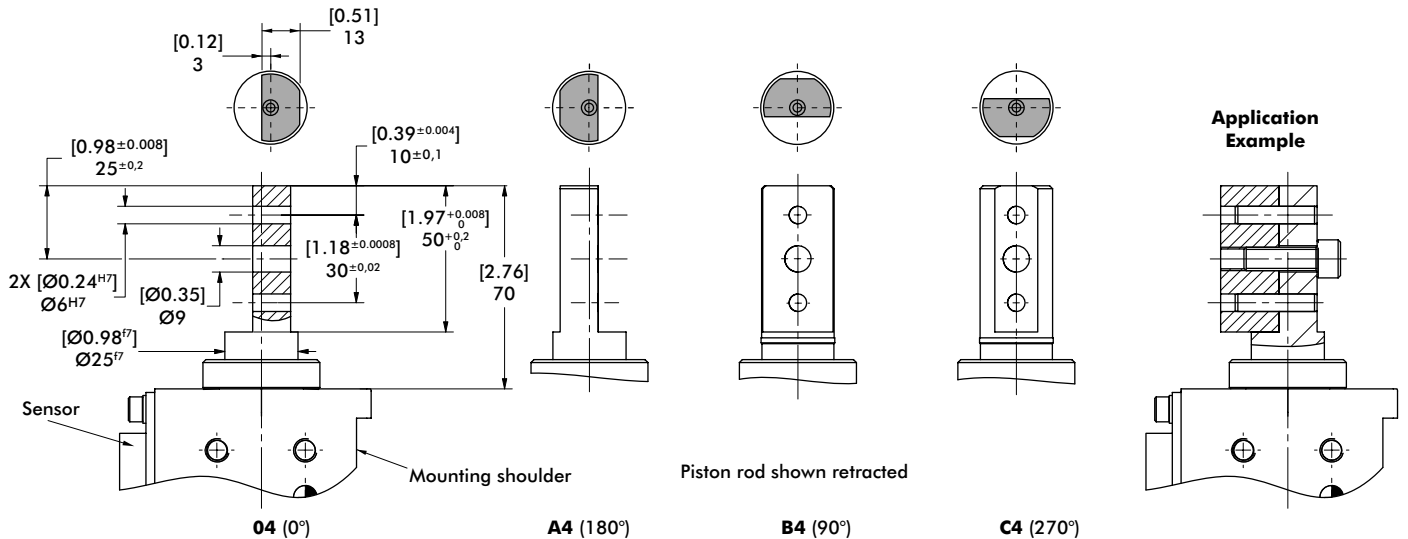
01 Ø16 mm Inside Hole



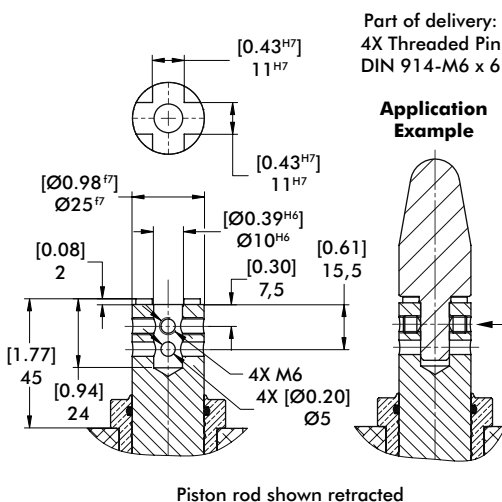
02 Ø16 mm M6 Threaded Inside Hole, Cross Groove



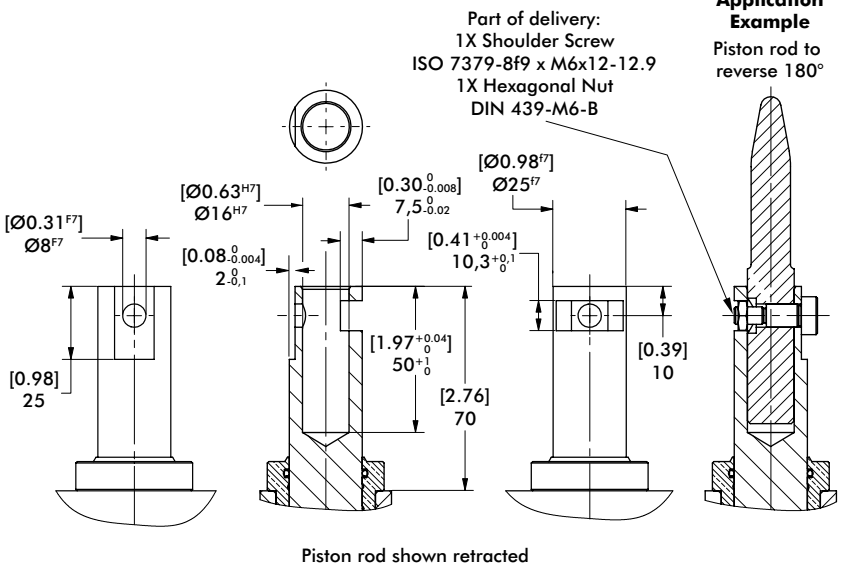
04, A4, B4, C4 NAAMS Standard



05 Ø10 mm Inside Hole, Cross Groove



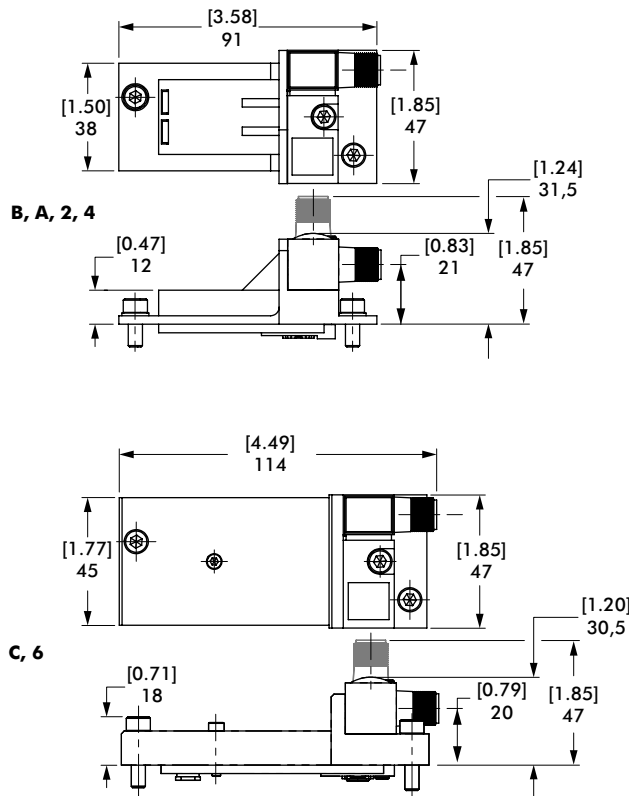
07 Ø16 mm Inside Hole, NAAMS



56H40-2 SENSORS

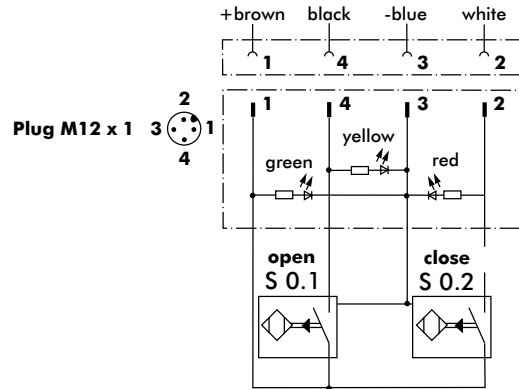
Manual Pin Package | Single Shaft | Dimensions and Technical Specifications

D8 Inductive Sensing System with 90° Swivel Connector

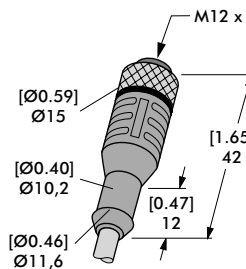


Inductive Sensor Wiring Diagram

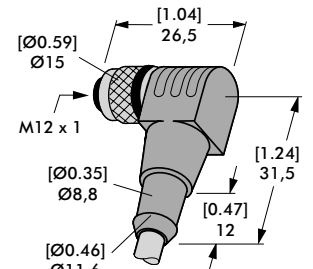
Sensing system immune to interference from AC / DC arc welding.



Sensor Cable Accessories



Straight: 8EL-002-1



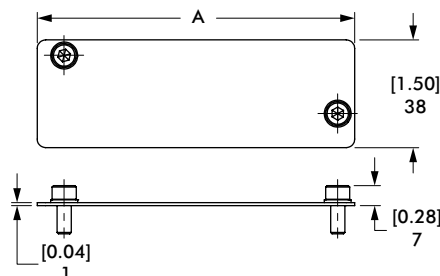
Angular: 8EL-003-1

Order no. Sensor Cables (1 connector & 5m cable)

8EL-002-1 M12x1, Straight, 5-pin Connector with 5 m [16 ft.] Cable

8EL-003-1 M12x1, Angular, 4-pin Connector with 5 m [16 ft.] Cable

L4, L6 Sensor Cover Plate



Cover Plate Option	Stroke Option	A mm [in]
L4	B, A, 2, 4	92 [3.62]
L6	C, 6	112 [4.41]

56H40-2 ACCESSORIES

Manual Pin Package | Single Shaft | Dimensions and Technical Specifications

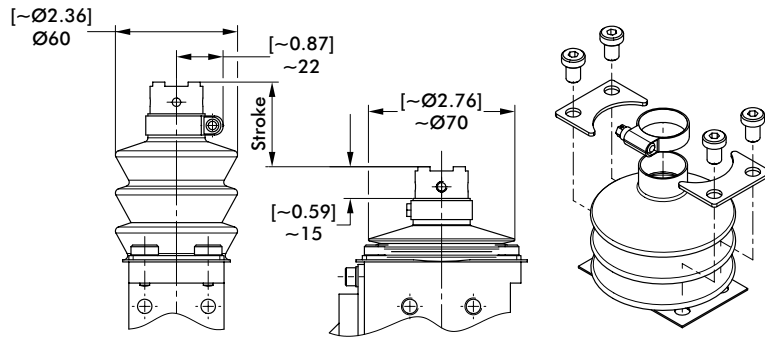
F1 Bellows (Piston Rod Cover)



Extended



Retracted

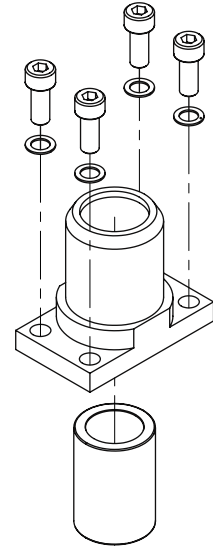
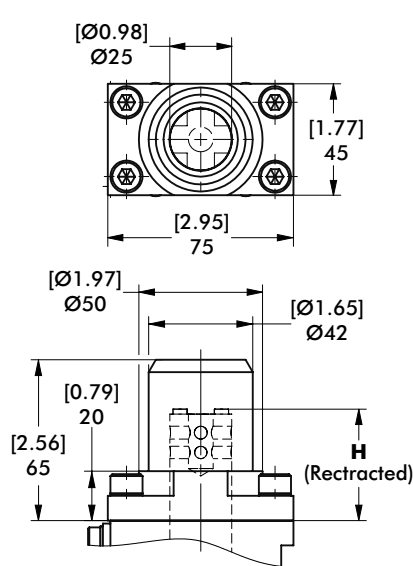
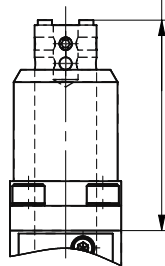


R1 Guide Bushing



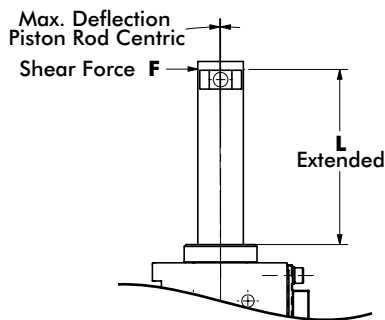
Piston Rod 05 Shown

STROKE
20/40/60/80
(Extended)



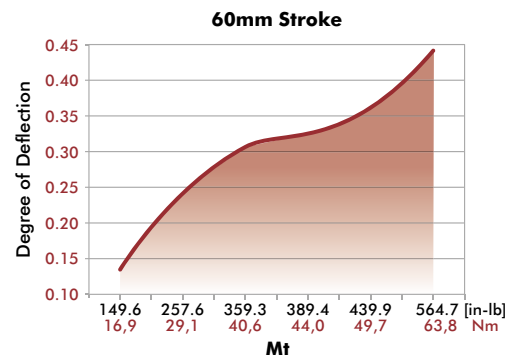
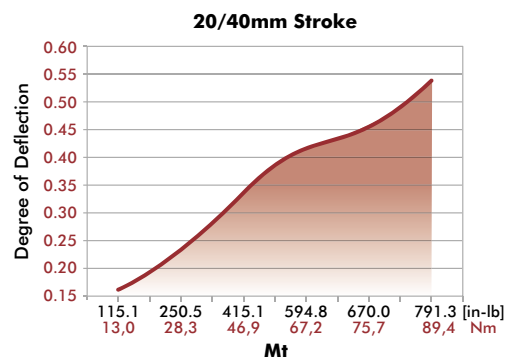
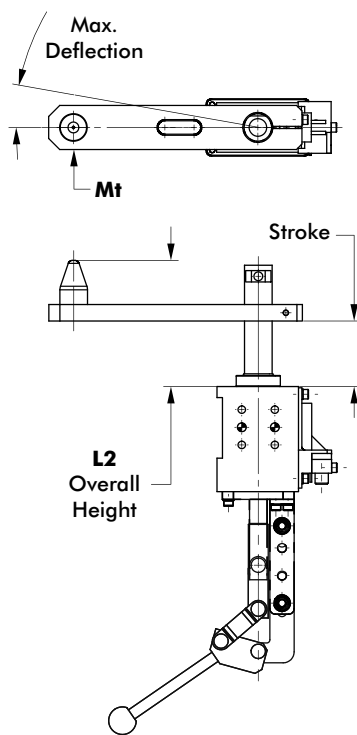
Model No.	Piston Rod Adapter	Stroke				
		H mm [in]	20 mm [in]	40 mm [in]	60 mm [in]	80 mm [in]
86P40-2...	01	22 [0.87]	42 [1.65]	62 [2.44]	82 [3.23]	102 [4.02]
86P60-2...	02	45 [1.77]	65 [2.56]	85 [3.35]	105 [4.13]	125 [4.92]
86P60H2...	03					
56H40-2...	05					

Maximum Deflection for Centering Pin



Model no.	Shear force N [lbs]	L mm [in]	Stroke mm [in]	Deflection mm [in]
56H40-2...B / 2		52 [2.05]	20 [0.79]	0,06 [0.002]
56H40-2...A / 4	200 [45]	70 [2.76]	40 [1.58]	0,09 [0.004]
56H40-2...C / 6		90 [3.54]	60 [2.36]	0,12 [0.005]

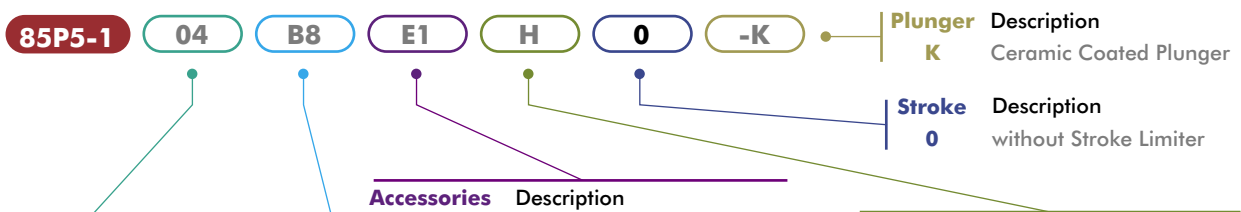
Caution: Generally we recommend using an external guide when the transverse force is more than 200 N [45 lbs]. Also independently of the stroke, less transverse forces, when the overall height $L2 > 120$ mm [4.7 in] ($L2 =$ extended piston rod plus centering pin).



Caution: Generally we recommend using an external guide when the transverse force is more than 200 N [45 lbs]. Also independently of the stroke, less transverse forces, when the overall height $L2 > 120$ mm [4.7 in] ($L2 =$ extended piston rod plus centering pin).

85P5-1

Pneumatic Pin Package | Single Shaft | Ordering Information



Piston Rod	Description
02	Ø16 mm M6 Threaded Inside Hole, Cross Groove
04	NAAMS Standard
A4	NAAMS Standard Rotated 180°
05	Ø10 mm Inside Hole, Cross Groove



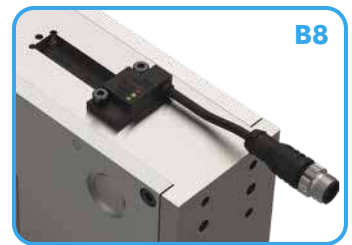
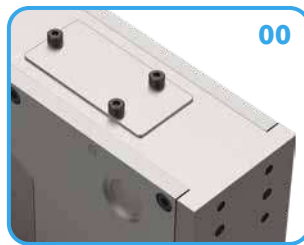
Accessories	Description
00	No Accessories
E1*	External Guide (82ZB-010-2) *External Guide can be mounted to front or sides of unit by customer.



Hand Lever	Description
0	No Hand Lever
H	Hand Lever *Hand Lever can be attached on either side of unit.



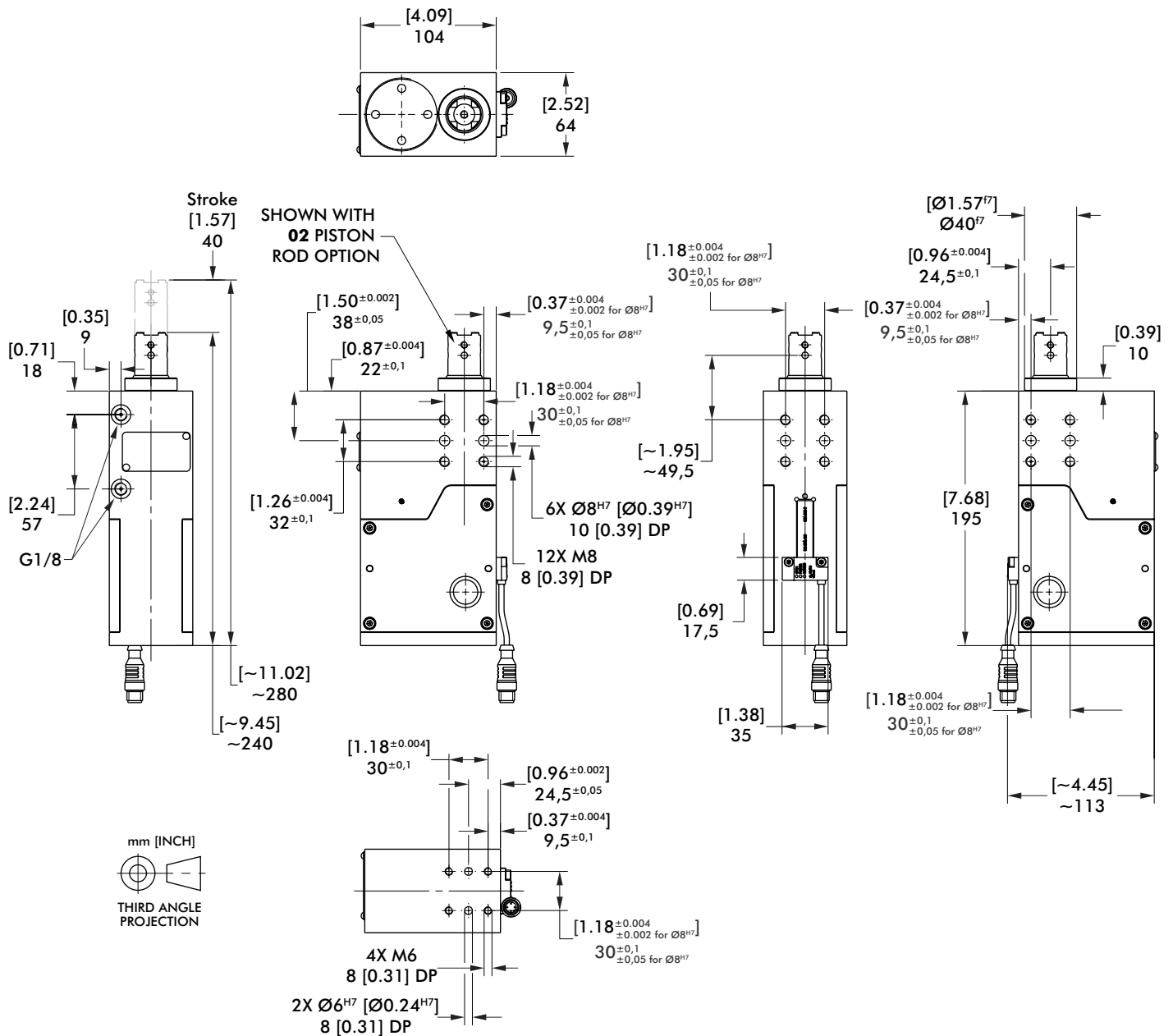
Sensor	Description
00	Without Sensing System
B8	Inductive Sensing System with M12x1 Cable Connector (8EA-033-2)



Shown with Hand Lever H Option. Hand Lever can be attached on either side of unit.

External Guide E1 option shown. Can be mounted to front or sides of unit by customer.

Pneumatic Pin Package | Single Shaft | Dimensions and Technical Specifications



Medium: Operation with oil free air is permissible

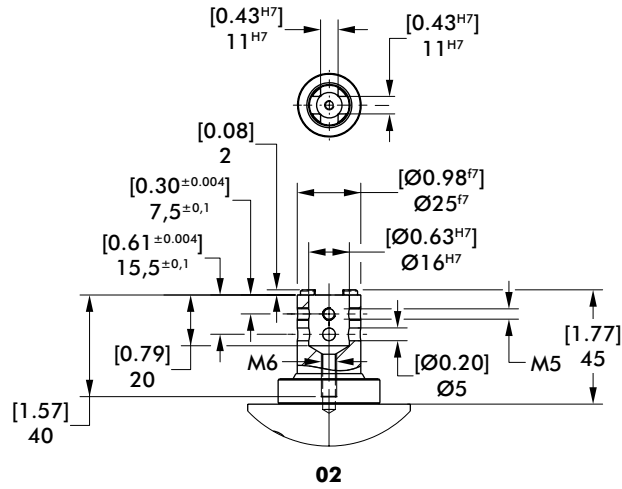
Note: Extracting force and retracting force shown in this chart are only available with the last 2 mm stroke at extracted position. In the other range of the stroke the forces will be approximately 30% of value in the chart.

Base Model	Stroke mm [in]	Pushing Force at 6 bar N [lbf]	Retraction Force at 6 bar N [lbf]	Holding Force at 6 bar N [lbf]	Max. Operating Pressure bar [psi]	Piston Ø mm [in]	Weight Kg [lbs]	Air consumption per double stroke at 5 bar dm ³ [ft ³]
85P5-1	40 [1.57]	2000 [449]	1000 [225]	5000 [1124]	6 [87]	50 [1.97]	3,8 [8.36]	1,1 [0.04]

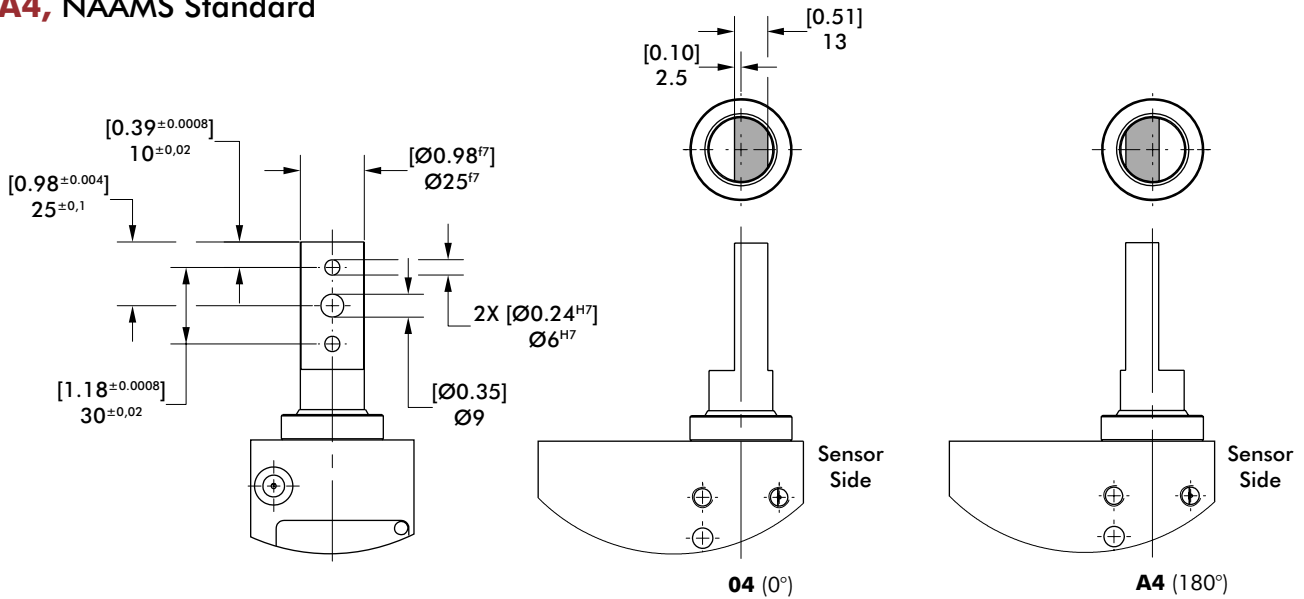
85P5-1 PISTON RODS

Pneumatic Pin Package | Single Shaft | Dimensions and Technical Specifications

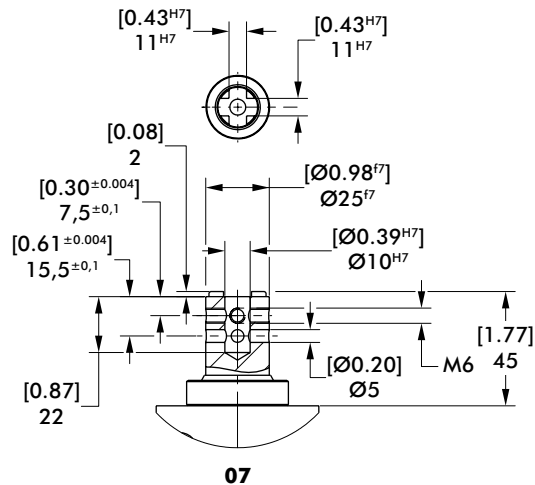
02 Ø16 mm M6 Threaded Inside Hole, Cross Groove



04, A4, NAAMS Standard



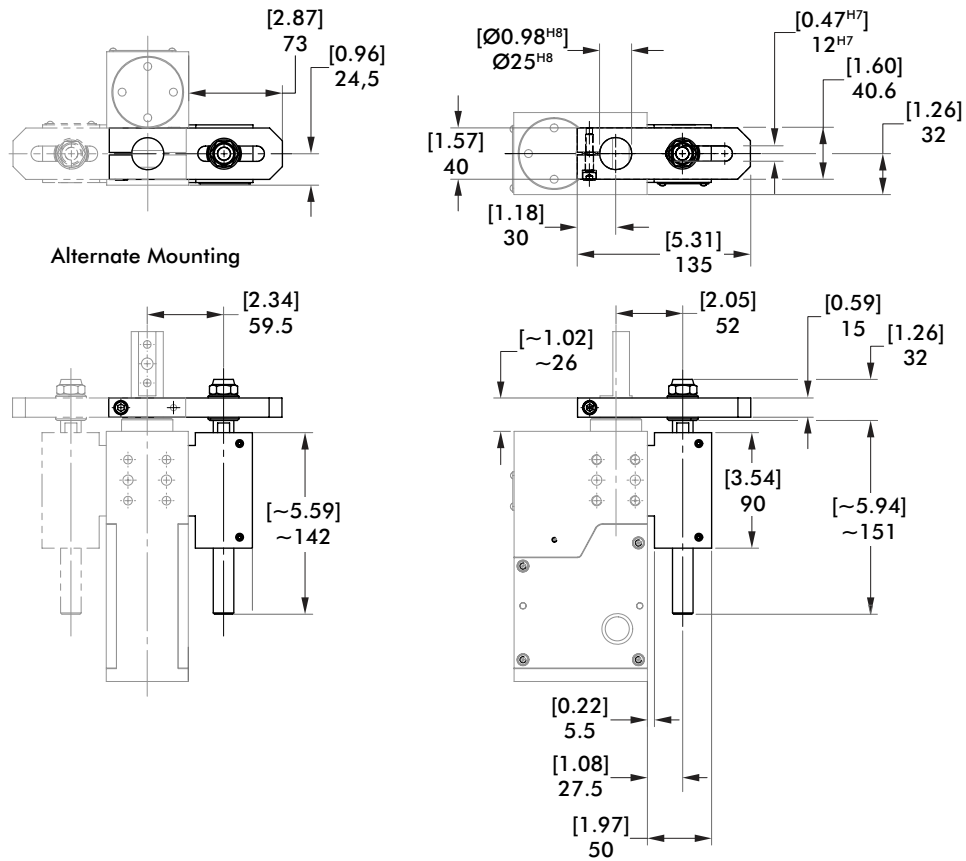
07 Ø16 mm Inside Hole, NAAMS



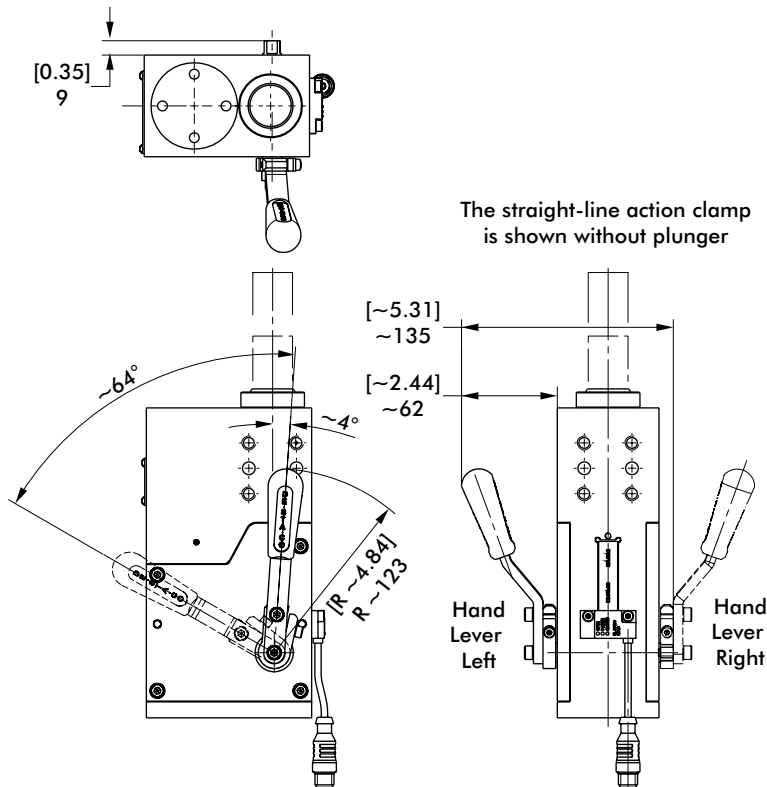
85P5-1 OPTIONS

Pneumatic Pin Package | Single Shaft | Dimensions and Technical Specifications

E1 External Guide



H Hand Lever



Model no.

Weight
kg [lb]

85P5-1****00H0

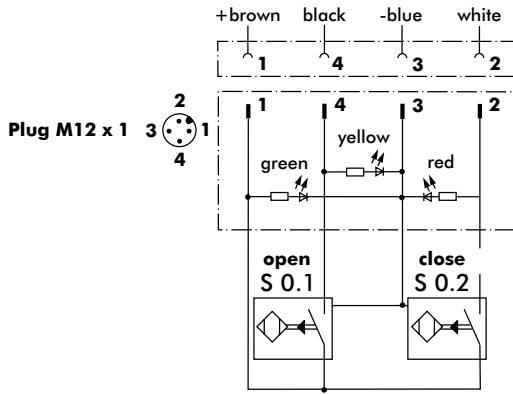
4 [8.82]

85P5-1

Pneumatic Pin Package | Single Shaft | Dimensions and Technical Specifications

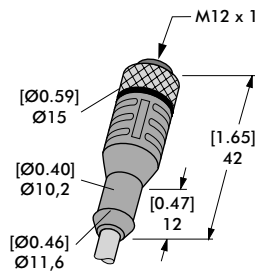
Inductive Sensor Wiring Diagram

Sensing system immune to interference from A.C./D.C. arc welding.

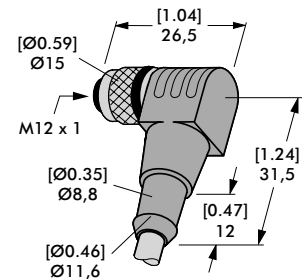


Sensor Accessories and Spare Parts

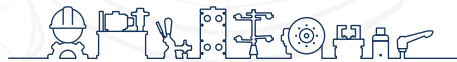
Description	Order no.
Sensor Cables (1 connector & 5 m cable)	
M12x1 connector, straight, 5-pin	8EL-002-1
M12x1 connector, 90° angular, 4-pin	8EL-003-1
Spare Parts	Order no.
Cylinder	8PW-105-1
Cylinder Seal Kit	8PW-105-1-00



Straight: 8EL-002-1



Angular: 8EL-003-1



inf @ /CESEHSA.com.mx

