

# Pneumatic Toggle Clamps

01/28/2025



info@cesehsa.com.mx

cesehsa.com.mx



# Pneumatic Toggle Clamps

01/28/2025

This catalog is a custom document and the products included is based on your unique selection from portions of complete catalogs that already exist. Please refer to our full catalogs for more information on products not included in this customized document.

## Table of Contents

Pneumatic Toggle Clamps

MC-PTC-1

# Pneumatic Toggle Clamps

01/28/2025

## Table of Contents (continued)

# 812 SERIES

## Pneumatic Toggle Clamps | Product Overview

### Features:

- Smallest of the pneumatic hold down series
- Pneumatic version of Model 201-U

### Applications:

- Assembly
- Welding

### Also Available:

See page MC-ACC-1  
for spindle accessories

See page MC-PSC-38  
for sensing options

High temperature version available  
upon request as Model 812-**U-HT**

812-U



## Technical Information | Holding Capacities

Model	Maximum Holding Capacity		Maximum Exerting Force @ 5 bar [72 PSI]		Weight	Bore Size	Air Consumption† dm <sup>3</sup> [ft <sup>3</sup> ]	Port Size	Accessories (Supplied)	
	Inner	Outer	Inner	Outer					Spindle Accessory	Flanged Washers
812-U	[100 lbf] 440 N	[55 lbf] 245 N	[136 lbf] 613 N	[92 lbf] 413 N	[0.46 lbs] 0,21 kg	[0.75] 19,1	[0.003] 0,09	M5	305208-M	102111

†Per double stroke at 5 bar [72 PSI]

**Max. Operating Temp:** -23°C to 74°C [-10°F to 165°F]

**Optional Sensors:** 810156, 810158

**Replacement Clamp Assembly:** 812-U-LC

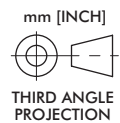
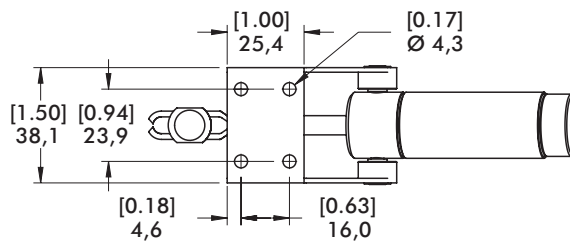
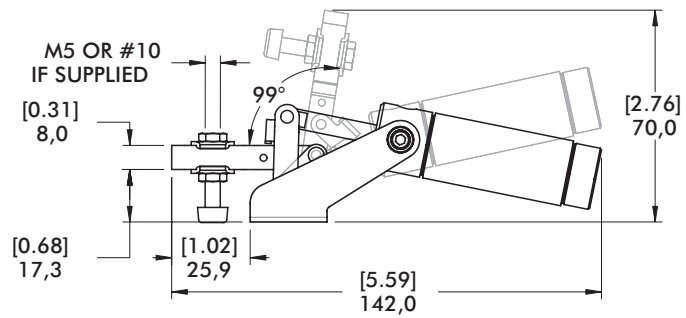
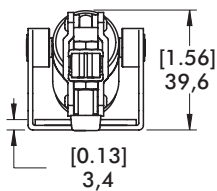
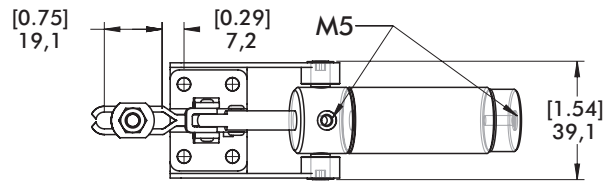
**Replacement Cylinder Assembly:** 812CYL

In no case should the inlet pressure be high enough to create an exerting force that exceeds the clamp's holding capacity. See Technical Appendix Section for details.

# 812 SERIES

## Pneumatic Toggle Clamps | Dimensions | -U

812-U



**Note:**

Model 812-U requires either 810156 or 810158 sensors. Two (2) sensors are required if detecting both open and closed positions. These sensors use 810156-1 (included with sensors) band clamp to mount the sensor to the cylinder wall.



# 802 SERIES

## Pneumatic Toggle Clamps | Product Overview

### Features:

- Pneumatic version of Model 202-U
- Sensor ready for T-slot or round sensors
- Optional handle version allows for manual operation during setup and positioning

### Applications:

- Assembly
- Welding

### Also Available:

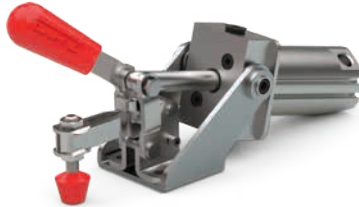
See page MC-ACC-1 for spindle accessories

See page MC-PSC-38 for sensing options

802-U  
802-UE



802-UH  
802-UEH



## Technical Information | Holding Capacities

Model	Maximum Holding Capacity		Max. Exerting Force @ 5 bar [72 PSI]		Weight	Bore Size	Air Consumption† dm <sup>3</sup> [ft <sup>3</sup> ]	Port Size	Accessories (Supplied)	
	Inner	Outer	Inner	Outer					Spindle Accessory	Flanged Washers
802-U								1/8 NPT	202208-M	215105
802-UE	[200 lbf]	[110 lbf]	[200 lbf]	[110 lbf]	[1.52 lbs]	[0.79]	[0.0006]	G-1/8		
802-UH	890 N	490 N	890 N	490 N	0,69 kg	20	0,02	1/8 NPT		
802-UEH								G-1/8		

†Per double stroke at 5 bar [72 PSI]

**Max Cylinder Pressure:** 10bar [145psig]\*

**Max Operating Temp:** -10°C to 90°C [-14°F to 194°F]

**Replacement Seal Kit:** 802550-20-1-00

**Replacement Clamp Assembly:** 802-U-LC

**Replacement Cylinder Assembly:** 802CYL

\*In no case should the inlet pressure be high enough to create an exerting force that exceeds the clamp's holding capacity. See Technical Appendix for details.

### Sensor Accessories

Round Reed Switch with Quick Disconnect

T-slot Reed Switch with Quick Disconnect

Quick Disconnect 2M Extension Cable

Quick Disconnect 5M Extension Cable

### Item Number

810169

8EA-109-1

CABL-010

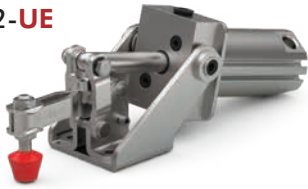
CABL-013

See Pneumatic Accessories section for more options

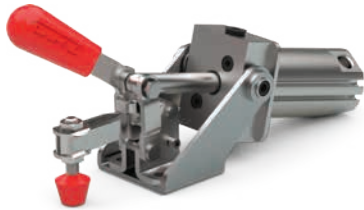
# 802 SERIES

## Pneumatic Toggle Clamps | Dimensions | -U/-UE/-UH/-UEH

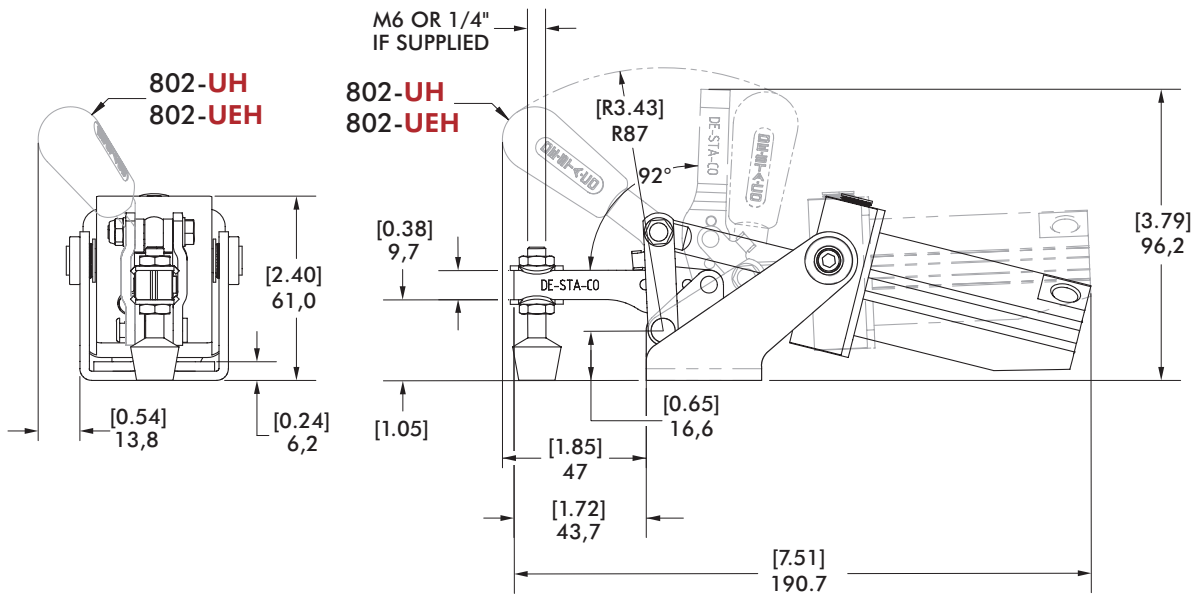
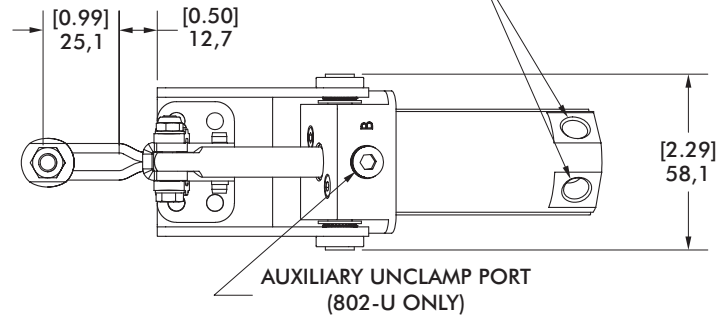
802-U  
802-UE



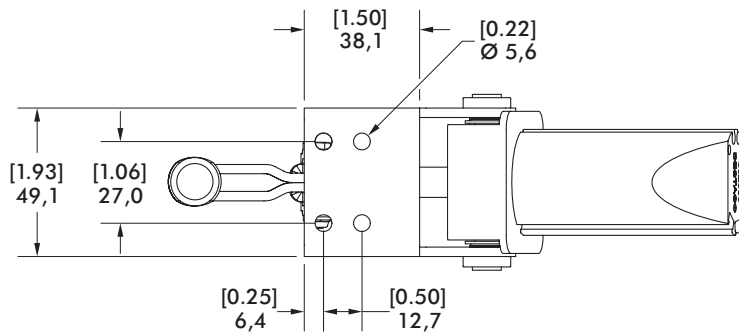
802-UH  
802-UEH



802-U / UH 1/8" NPT  
802-UE / UEH G-1/8



mm [INCH]  
THIRD ANGLE PROJECTION



# 807 SERIES

## Pneumatic Toggle Clamps | Product Overview

### Features:

- Pneumatic version of Series 207 manual clamps
- Sensor ready for round or T-slot sensors.
- Built-in flow restriction eliminates need for external flow controls
- Optional handle version allows for manual operation during setup and positioning (U-bar only)

### Applications:

- Assembly
- Welding

### Also Available:

See page MC-ACC-1 for spindle accessories  
See page MC-PSC-38 for sensing options

807-U  
807-UE



807-UH  
807-UEH



807-S  
807-SE



## Technical Information | Holding Capacities

Model	Maximum Holding Capacity		Maximum Exerting Force @ 5 bar [72 PSI]		Weight	Bore Size	Air Consumption <sup>†</sup> dm <sup>3</sup> [ft <sup>3</sup> ]	Port Size	Accessories (Supplied)		
	Inner	Outer	Inner	Outer					Spindle Accessory	Flanged Washers	Bolt Retainer
807-U								1/8 NPT			
807-UH	[375 lbf]	[275 lbf]	[576 lbf]	[297 lbf]				G-1/8	--	507107	--
807-UE	1670 N	1220 N	2573 N	1327 N	[1.66 lbs]	[1.26]	[0.015]		2007208-M		
807-UEH					0,75 kg	32	0,42				
807-S	[500 lbf]	[260 lbf]	[540 lbf]	[180 lbf]				1/8 NPT			207105
807-SE	2220 N	1160 N	2412 N	804 N				G-1/8	--	--	

<sup>†</sup>Per double stroke at 5 bar [72 PSI]

**Max Cylinder Pressure:** 10bar [145psig]\*

**Max Operating Temp:** -10°C to 90°C [-14°F to 194°F]

**Replacement Seal Kit:** 802450-32-1-00

**Replacement Clamp Assembly:** 807-U-LC, 807-S-LC

**Replacement Cylinder Assembly:** 807CYL

\*In no case should the inlet pressure be high enough to create an exerting force that exceeds the clamp's holding capacity. See Technical Appendix for details.

### Sensor Accessories

	Item Number
Round Reed Switch with Quick Disconnect	810169
T-slot Reed Switch with Quick Disconnect	8EA-109-1
Quick Disconnect 2M Extension Cable	CABL-010
Quick Disconnect 5M Extension Cable	CABL-013

See Pneumatic Accessories section for more options



# 807 SERIES

Pneumatic Toggle Clamps | Dimensions | -U/-UE/-UH/-UEH/-S/-SE

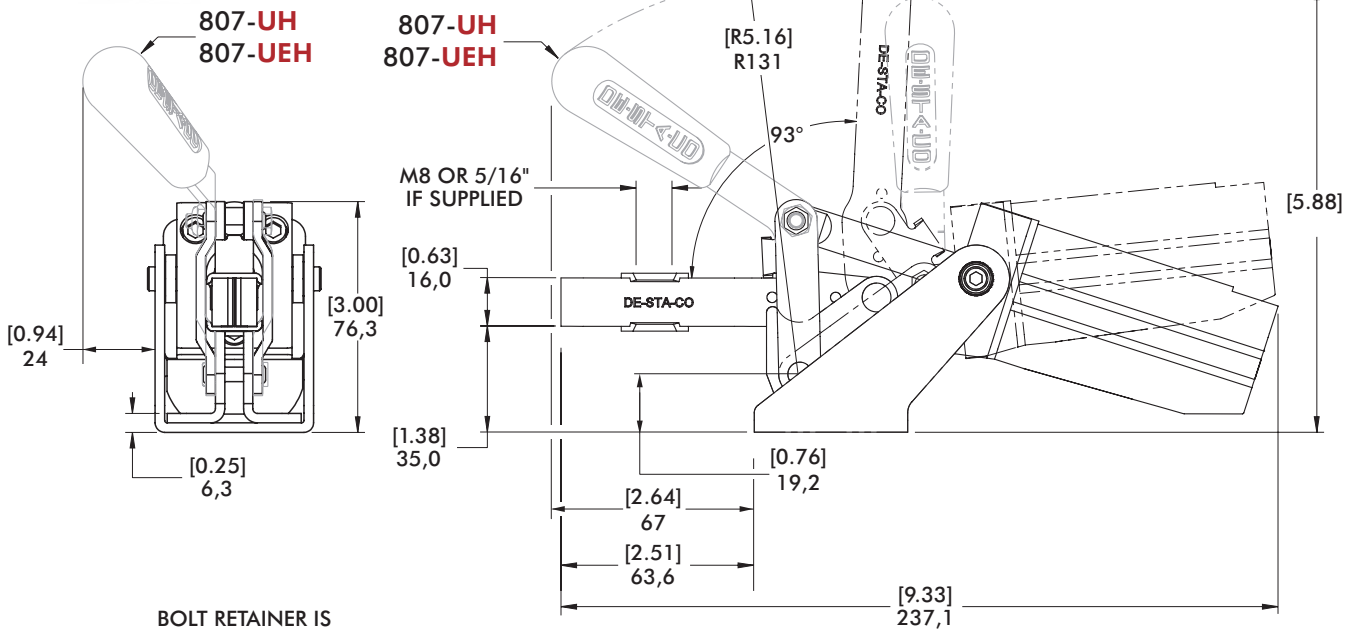
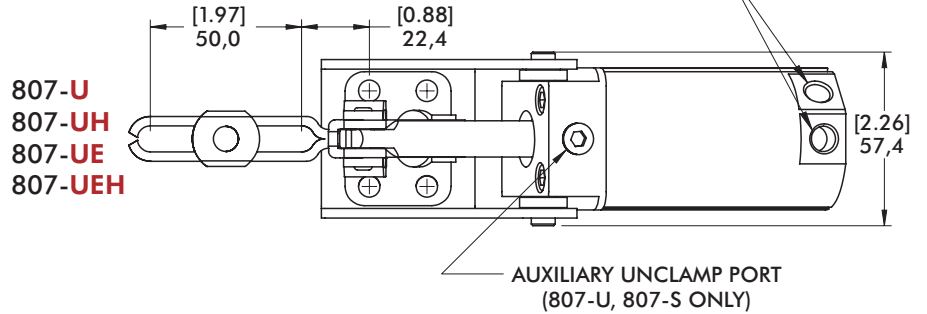
807-U  
807-UE



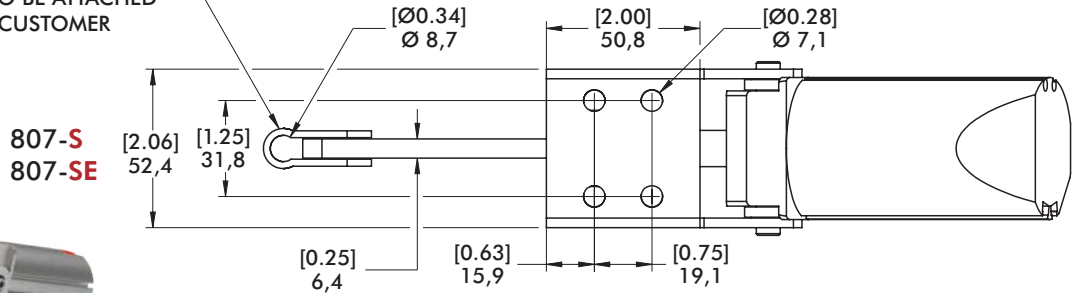
802-UH  
802-UEH



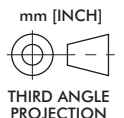
807-U / 807-UH / 807-S 1/8" NPT  
807-UE / 807-UEH / 807-SE G-1/8



BOLT RETAINER IS SUPPLIED LOOSE AND NEEDS TO BE ATTACHED BY CUSTOMER



807-S  
807-SE



# 810 SERIES

## Pneumatic Toggle Clamps | Product Overview

### Features:

- Pneumatic version of Series 210 manual clamps
- Sensor ready for round or T-slot style sensors
- Built-in flow restriction eliminates need for external flow controls
- Optional handle version allows for manual operation during setup and positioning (U-bar only)

### Applications:

- Assembly
- Welding

### Also Available:

See page MC-ACC-1 for spindle accessories

See page MC-PSC-38 for sensing options

810-U  
810-UE



810-UH  
810-UEH



810-S  
810-SE



## Technical Information | Holding Capacities

Model	Maximum Holding Capacity		Maximum Exerting Force @ 5 bar [72 PSI]		Weight	Bore Size	Air Consumption† dm³ [ft³]	Port Size	Accessories (Supplied)		
	Inner	Outer	Inner	Outer					Spindle Accessory	Flanged Washers	Bolt Retainer
810-U								1/8 NPT	--		
810-UH	[600 lbf]	[290 lbf]	[856 lbf]							235106	--
810-UE	2670 N	1290 N	3834 N	[407 lbf]	[4.07 lbs]	[1.57]	[0.029]	G-1/8	240208-M		
810-UEH				1823 N	1,85 kg	40	0,83				
810-S	[750 lbf]	[500 lbf]	[702 lbf]					1/8 NPT	--	--	210114
810-SE	3340 N	2220 N	3143 N					G-1/8			

†Per double stroke at 5 bar [72 PSI]

Max Cylinder Pressure: 10bar [145psig]\*

Max Operating Temp: -10°C to 90°C [-14°F to 194°F]

Replacement Seal Kit: 810450-40-1-00

Replacement Clamp Assembly: 810-U-LC, 810-S-LC

Replacement Cylinder Assembly: 810CYL

\*In no case should the inlet pressure be high enough to create an exerting force that exceeds the clamp's holding capacity.

### Sensor Accessories

	Item Number
Round Reed Switch with Quick Disconnect	810169
T-slot Reed Switch with Quick Disconnect	8EA-109-1
Quick Disconnect 2M Extension Cable	CABL-010
Quick Disconnect 5M Extension Cable	CABL-013

See Pneumatic Accessories section for more options

# 810 SERIES

Pneumatic Toggle Clamps | Dimensions | -U/-UE/-UH/-UEH/-S/-SE

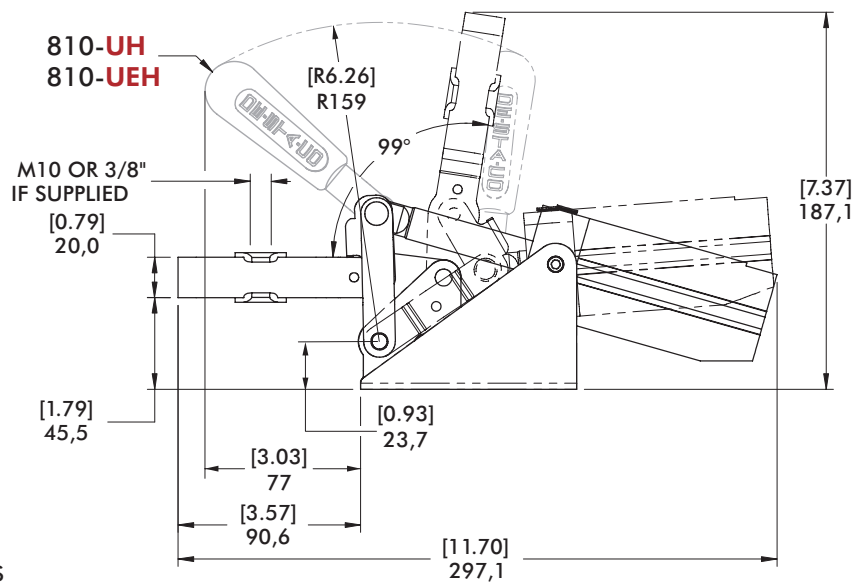
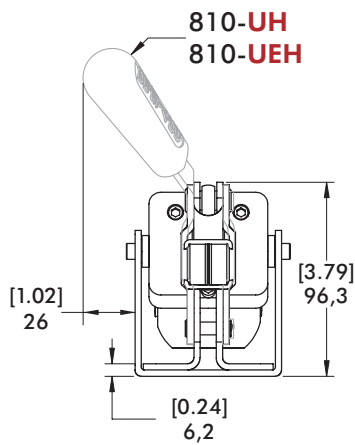
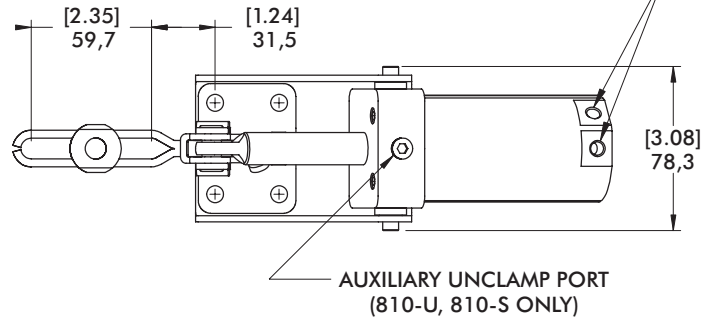
**810-U**  
**810-UE**



**810-UH**  
**810-UEH**



**810-U / 810-UH / 810-S 1/8" NPT**  
**810-UE / 810-UEH / 810-SE G-1/8**

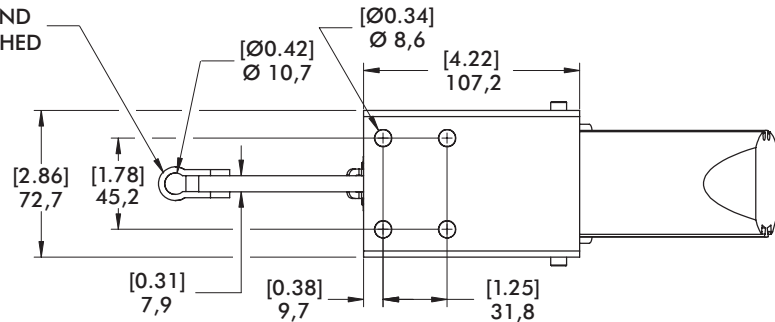


BOLT RETAINER IS SUPPLIED LOOSE AND NEEDS TO BE ATTACHED BY CUSTOMER

**810-S**  
**810-SE**



**810-S**  
**810-SE**



mm [INCH]

THIRD ANGLE PROJECTION

# 846 SERIES

## Pneumatic Toggle Clamps | Product Overview

### Features:

- Similar in size to 807 but with higher holding capacity
- Large, solid clamping arm is easily modified to suit application requirements
- Sensor ready for round or T-slot style sensors

### Applications:

- Assembly
- Welding

### Also Available:

See page MC-PSC-38 for sensing options

846 ⓘ



## Technical Information | Holding Capacities

Model	Maximum Holding Capacity		Max. Exerting Force @ 5 bar [72 PSI]		Weight	Bore Size	Air Consumption† dm <sup>3</sup> [ft <sup>3</sup> ]	Port Size
	Inner	Outer	Inner	Outer				
846 ⓘ	[750 lbf] 3340 N	[520 lbf] 2310 N	[786 lbf] 3520 N	[491 lbf] 2200 N	[4.18 lbs] 1,90 kg	[1.57] 40	[0.029] 0,83	1/8 NPT

ⓘ This item is available upon request. †Per double stroke at 5 bar [72 PSI]

**Max Cylinder Pressure:** 10bar [145psig]\*

**Max Operating Temp:** -10°C to 90°C [-14°F to 194°F]

**Replacement Seal Kit:** 810450-40-1-00

**Replacement Clamp Assembly:** 846-LC

**Replacement Cylinder Assembly:** 846CYL

\*In no case should the inlet pressure be high enough to create an exerting force that exceeds the clamp's holding capacity. See Technical Appendix Section for details.

### Sensor Accessories

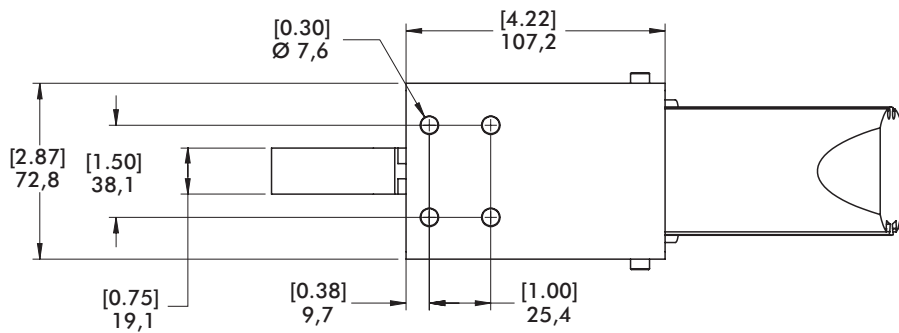
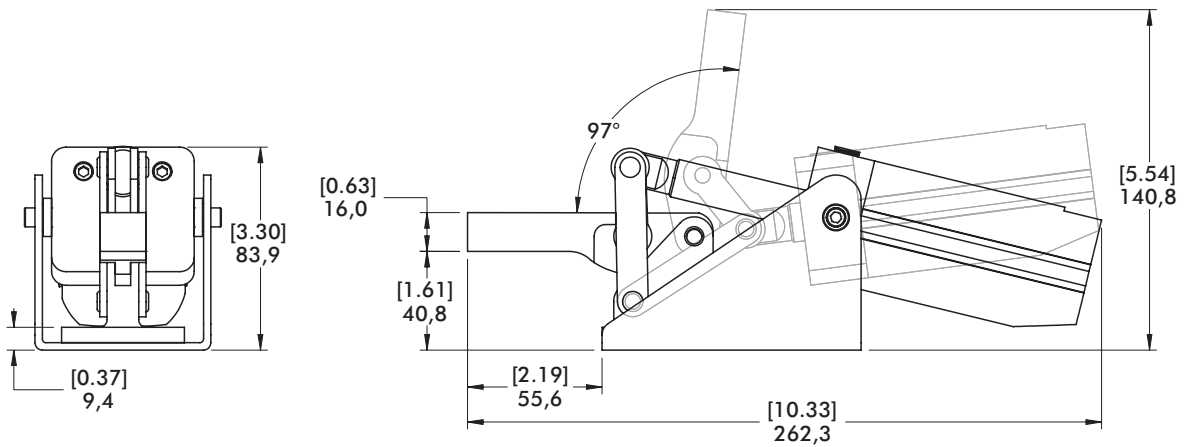
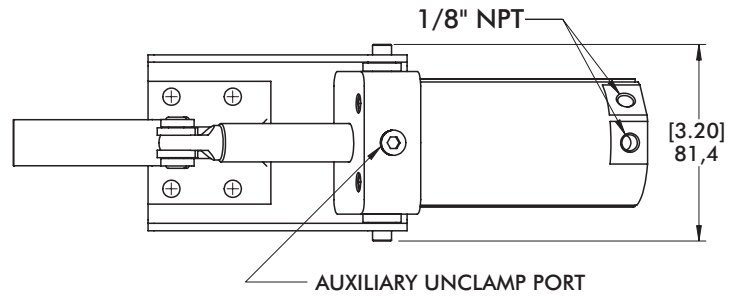
	Item Number
Round Reed Switch with Quick Disconnect	810169
T-slot Reed Switch with Quick Disconnect	8EA-109-1
Quick Disconnect 2M Extension Cable	CABL-010
Quick Disconnect 5M Extension Cable	CABL-013

See Pneumatic Accessories section for more options

# 846 SERIES

## Pneumatic Toggle Clamps | Dimensions

846 ①



mm [INCH]  
THIRD ANGLE  
PROJECTION

# 847 SERIES

## Pneumatic Toggle Clamps | Product Overview

### Features:

- Pneumatic version of Series 247 manual clamps
- Switch ready for Ø4mm or 6,5mmX5mm sensors
- Built-in flow restriction eliminates need for external flow controls

### Applications:

- Assembly
- Welding

### Also Available:

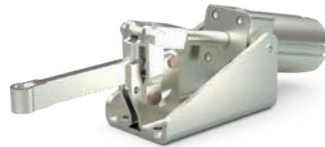
See page MC-ACC-1 for spindle accessories

See page MC-PSC-38 for sensing options

847-U



847-S



## Technical Information | Holding Capacities

Model	Maximum Holding Capacity		Max. Exerting Force @ 5 bar [72 PSI]		Weight	Bore Size	Air Consumption† dm <sup>3</sup> [ft <sup>3</sup> ]	Port Size	Accessories (Supplied)		
	Inner	Outer	Inner	Outer					Spindle Accessory	Flanged Washers	Bolt Retainer
847-U	[1000 lbf] 4450 N	[480 lbf] 2135 N	[948 lbf] 4248 N	[450 lbf] 2018 N	[8.93 lbs] 4,05 kg	[1.97] 50	[0.044] 1,25	1/4 NPT	--	247109	--
847-S	[1000 lbf] 4450 N	[650 lbf] 2890 N		[426 lbf] 1912 N				1/4 NPT	--	--	247110

†Per double stroke at 5 bar [72 PSI]

**Max Cylinder Pressure:** 10bar [145psig]\*

**Max Operating Temp:** -10°C to 90°C [-14°F to 194°F]

**Replacement Seal Kit:** 847450-50-1-00

**Replacement Clamp Assembly:** 847-U-LC, 847-S-LC

**Replacement Cylinder Assembly:** 847CYL

\*In no case should the inlet pressure be high enough to create an exerting force that exceeds the clamp's holding capacity. See Technical Appendix Section for details.

### Sensor Accessories

Round Reed Switch with Quick Disconnect

T-slot Reed Switch with Quick Disconnect

Quick Disconnect 2M Extension Cable

Quick Disconnect 5M Extension Cable

### Item Number

810169

8EA-109-1

CABL-010

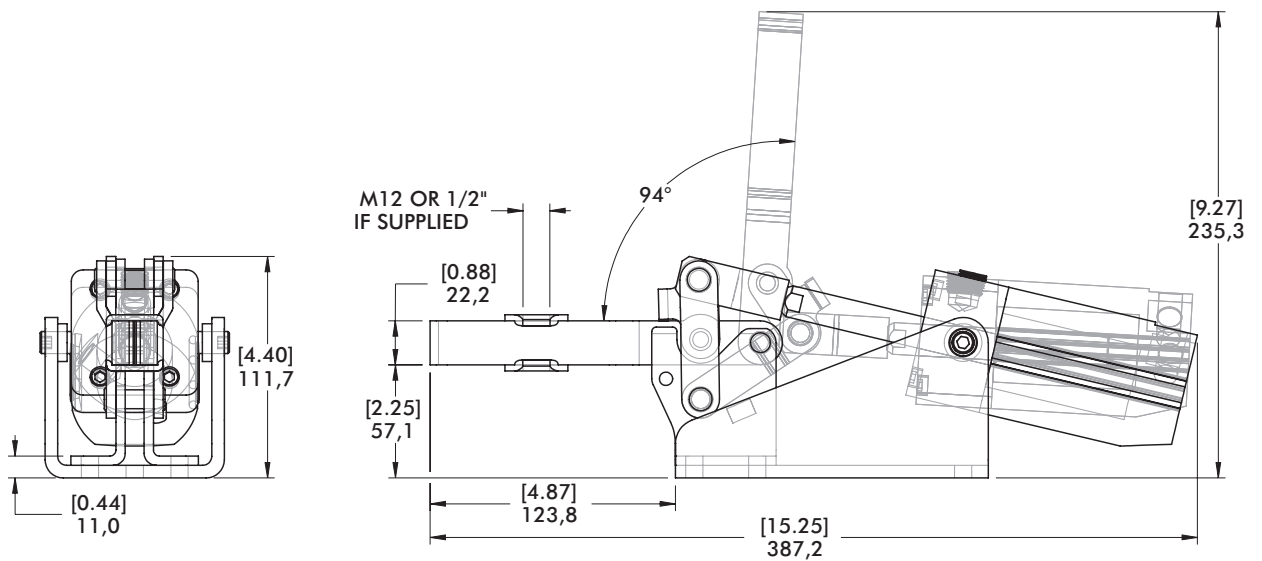
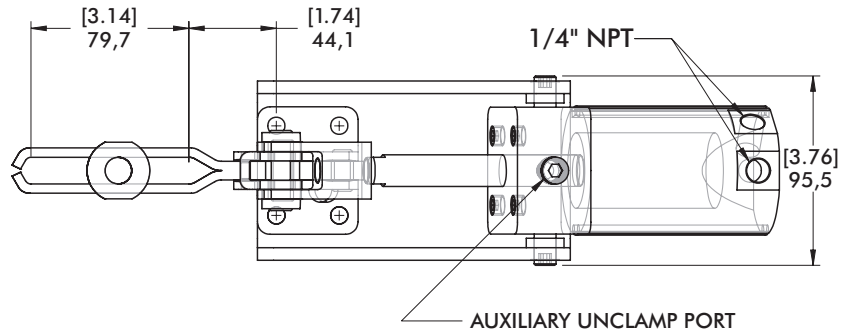
CABL-013

See Pneumatic Accessories section for more options

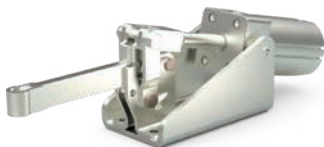
# 847 SERIES

## Pneumatic Toggle Clamps | Dimensions | -U/-S

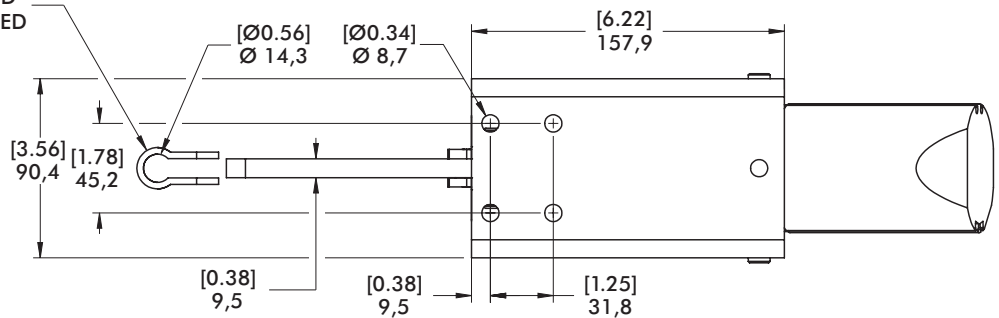
847-U



847-S



BOLT RETAINER IS SUPPLIED LOOSE AND NEEDS TO BE ATTACHED BY CUSTOMER



mm [INCH]  
THIRD ANGLE PROJECTION

# 8007 SERIES

## Pneumatic Toggle Clamps | Product Overview

### Features:

- Hardened pins and bushing at all pivot points for long life cycle
- Solid clamping bar may be modified to suit application requirements
- Sensor ready for round or T-slot style sensors

### Applications:

- Assembly
- Welding

### Also Available:

See page MC-PSC-38 for sensing options

8007-E



8007-EHL



8007-EHR



## Technical Information | Holding Capacities

Model	Maximum Holding Capacity		Max. Exerting Force @ 5 bar [72 PSI]		Weight	Bore Size	Air Consumption† dm <sup>3</sup> [ft <sup>3</sup> ]	Port Size
	Inner	Outer	Inner	Outer				
8007-E					1,6 kg [3.53 lbs]			
8007-EHL	[830 lbf] 3700 N	[405 lbf] 1800 N	[606 lbf] 2700 N	[225 lbf] 1000 N		[1.26] 32	[0.016] 0,44	G-1/8
8007-EHR					1,7 kg [3.75 lbs]			

†Per double stroke at 5 bar [72 PSI]

**Max Cylinder Pressure:** 10bar [145psig]\*

**Max Operating Temp:** -10°C to 90°C [-14°F to 194°F]

**Replacement Clamp Assembly:** 8007-LC

\*In no case should the inlet pressure be high enough to create an exerting force that exceeds the clamp's holding capacity. See Technical Appendix Section for details.

### Sensor Accessories

Round Reed Switch with Quick Disconnect

T-slot Reed Switch with Quick Disconnect

Quick Disconnect 2M Extension Cable

Quick Disconnect 5M Extension Cable

### Item Number

810169

8EA-109-1

CABL-010

CABL-013

See Pneumatic Accessories section for more options

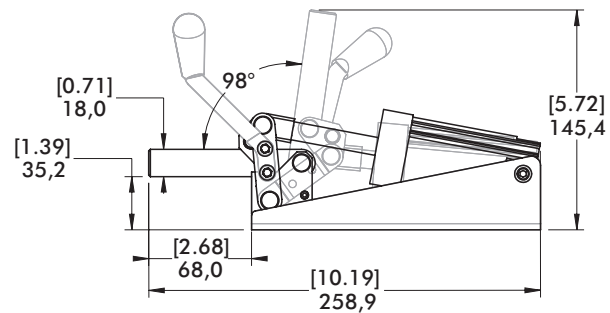
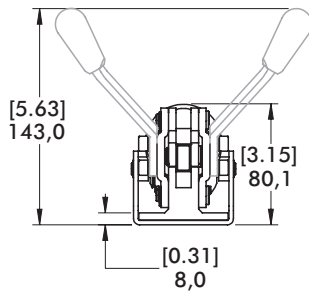
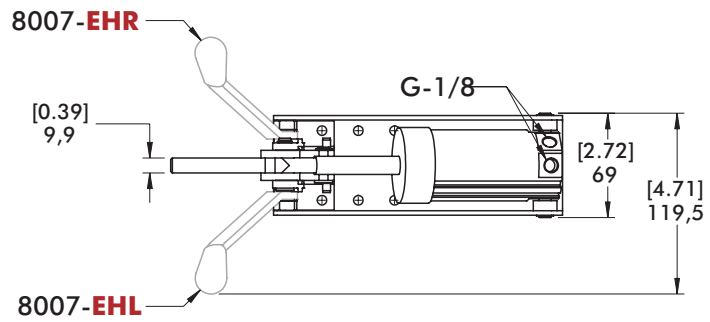


# 8007 SERIES

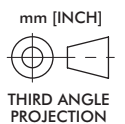
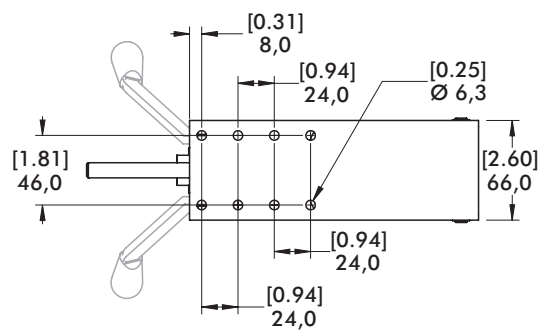
## Pneumatic Toggle Clamps | Dimensions | -E/-EHL/-EHR



8007-EHR



8007-E



# 858 SERIES

## Pneumatic Toggle Clamps | Product Overview

### Features:

- Hardened pins and bushing at all pivot points for long lifecycle
- Large, solid clamping arm is easily modified to suit application requirements
- Sensor ready for round or T-slot style sensors

### Applications:

- Assembly
- Welding

### Also Available:

See page MC-PSC-38 for sensing options

858  
858-E



## Technical Information | Holding Capacities

Model	Maximum Holding Capacity		Max. Exerting Force @ 5 bar [72 PSI]		Weight	Bore Size	Air Consumption† dm <sup>3</sup> [ft <sup>3</sup> ]	Port Size
	Inner	Outer	Inner	Outer				
858	[4,000 lbf]	[2,000 lbf]	[1,530 lbf]	[800 lbf]	[16.11 lbs]	[2.48]	[0.109]	1/4 NPT
858-E	17800 N	8900 N	6857 N	3585 N	7.31 kg	63	3,08	G-1/4

†Per double stroke at 5 bar [72 PSI]

**Max Cylinder Pressure:** 10bar [145psig]\*

**Max Operating Temp:** -10°C to 90°C [-14°F to 194°F]

**Replacement Seal Kit:** 850450-63-1-00

**Replacement Clamp Assembly:** 858-LC

**Replacement Cylinder Assembly:** 858CYL

\*In no case should the inlet pressure be high enough to create an exerting force that exceeds the clamp's holding capacity. See Technical Appendix Section for details.

### Sensor Accessories

Round Reed Switch with Quick Disconnect

T-slot Reed Switch with Quick Disconnect

Quick Disconnect 2M Extension Cable

Quick Disconnect 5M Extension Cable

### Item Number

810169

8EA-109-1

CABL-010

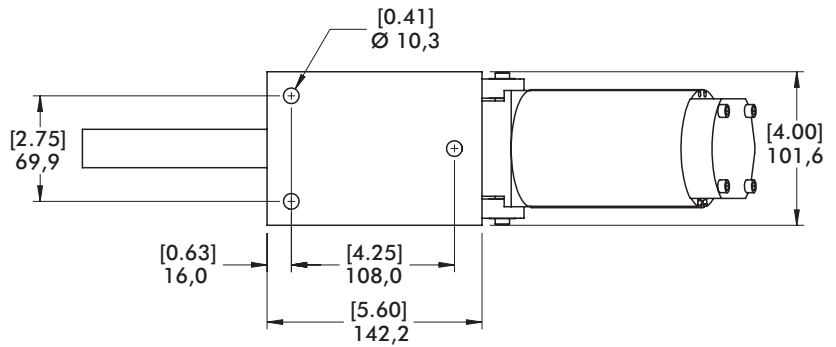
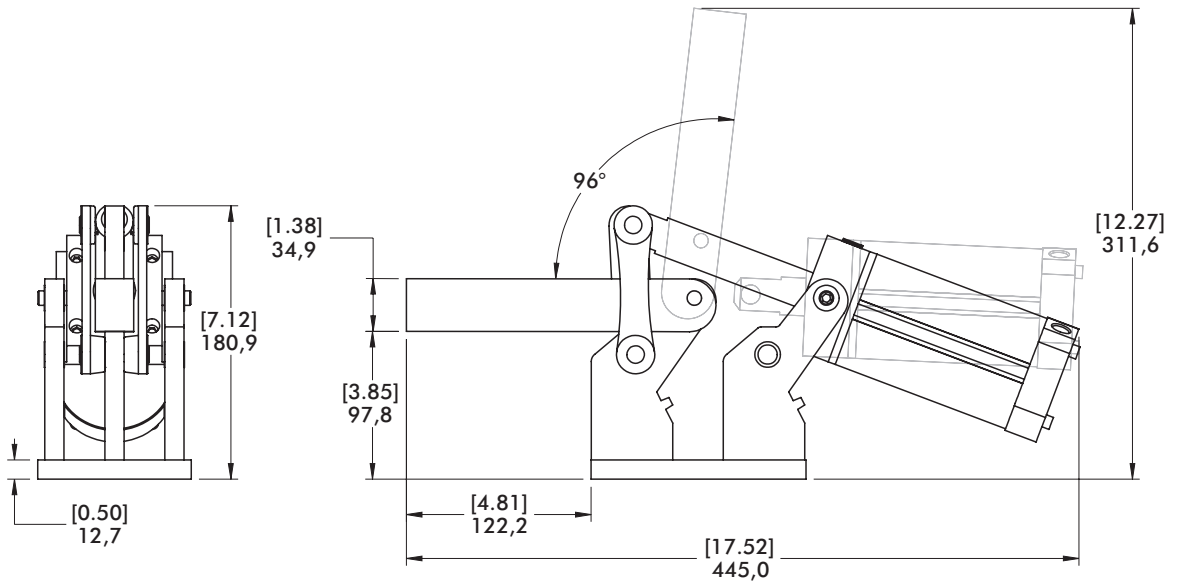
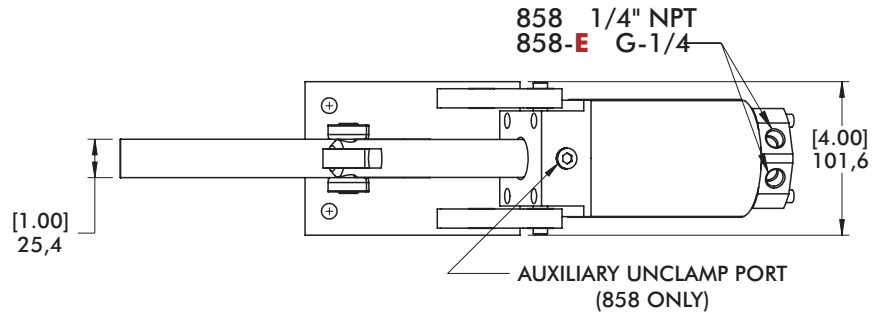
CABL-013

See Pneumatic Accessories section for more options

# 858 SERIES

## Pneumatic Toggle Clamps | Dimensions | -E

858  
858-E



mm [INCH]  
THIRD ANGLE  
PROJECTION

# 8021, 8071 SERIES

## Pneumatic Toggle Clamps | Product Overview

### Features:

- Enclosed clamp for dirty environments such as spot and MIG welding
- Non-pivoting cylinder can be hard-piped into fixtures
- Sensor ready for round or T-slot style sensors

### Applications:

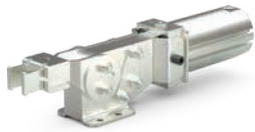
- Assembly
- Welding

### Also Available:

See page MC-ACC-1 for spindle accessories

See page MC-PSC-38 for sensing options

8021 ⓘ  
8021-UE ⓘ



8071  
8071-UE



## Technical Information | Holding Capacities

Model	Maximum Holding Capacity		Max. Exerting Force @ 5 bar [72 PSI]		Weight	Bore Size	Air Consumption† dm <sup>3</sup> [ft <sup>3</sup> ]	Port Size	Accessories (Supplied)	
	Inner	Outer	Inner	Outer					Spindle Accessory	Flanged Washer
8021 ⓘ	[390 lbf]	[255 lbf]	[169 lbf]	[100 lbf]	[2.30 lbs]	[1.26]	[0.015]	1/8 NPT	--	8021122
8021-UE ⓘ	1735 N	1135 N	760 N	449 N	1,04 kg	32	0,42	G-1/8		
8071	[450 lbf]	[310 lbf]	[496 lbf]	[283 lbf]	[2.80 lbs]	[1.57]	[0.020]	1/8 NPT	--	507107
8071-UE	2000 N	1380 N	2218 N	1267 N	1,27 kg	40	0,58	G-1/8		

ⓘ This item is available upon request. †Per double stroke at 5 bar [72 PSI]

**Max Cylinder Pressure:** 10bar [145psig]\*

**Max Operating Temp:** -10°C to 90°C [-14°F to 194°F]

**Replacement Seal Kit:** 8021: 802450-32-1-00

8071: 810450-40-1-00

\*In no case should the inlet pressure be high enough to create an exerting force that exceeds the clamp's holding capacity. See Technical Appendix Section for details.

### Sensor Accessories

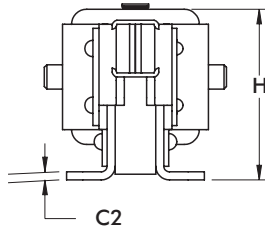
	Item Number
Round Reed Switch with Quick Disconnect	810169
T-slot Reed Switch with Quick Disconnect	8EA-109-1
Quick Disconnect 2M Extension Cable	CABL-010
Quick Disconnect 5M Extension Cable	CABL-013

See Pneumatic Accessories section for more options

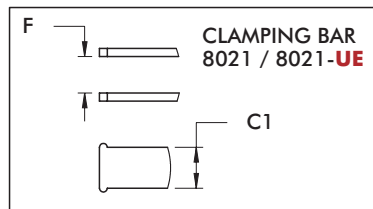
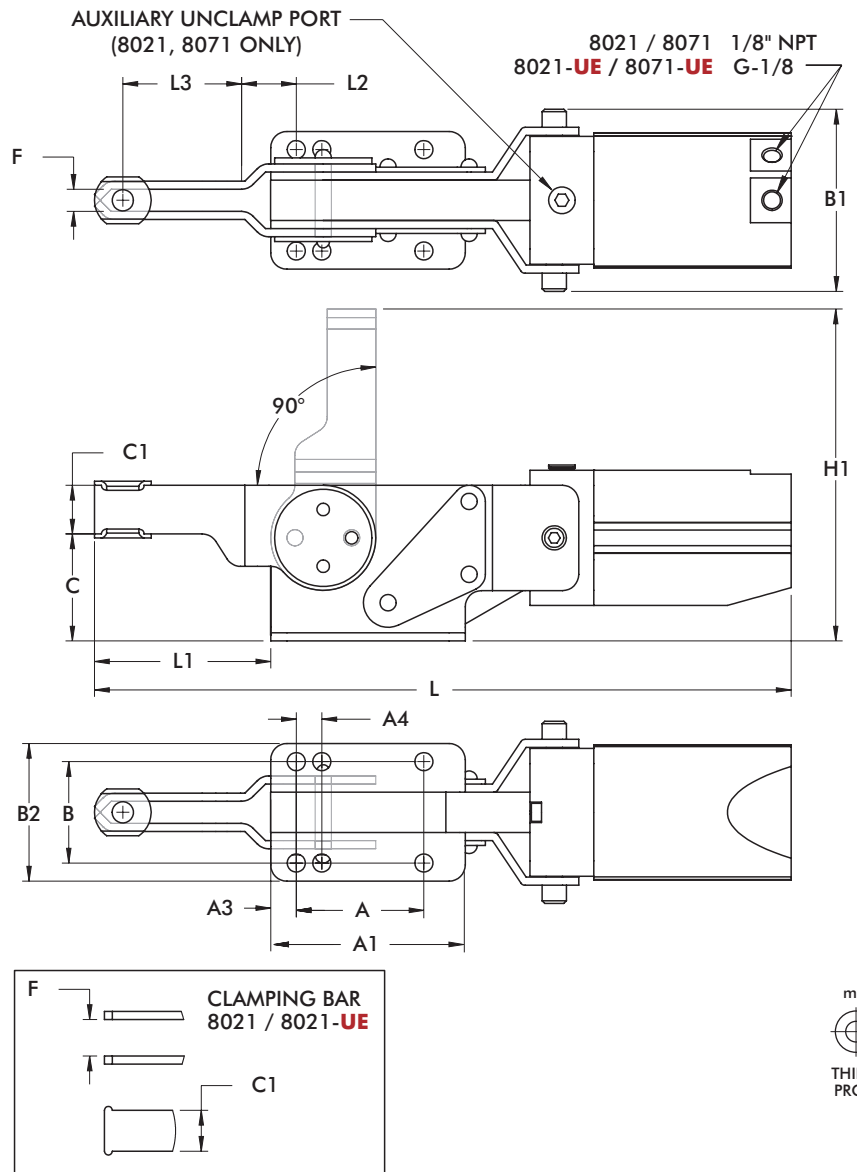
# 8021, 8071 SERIES

Pneumatic Toggle Clamps | Dimensions | -UE

8021  
8021-UE



8071  
8071-UE



mm [INCH]  
THIRD ANGLE PROJECTION

Model	A	A1	A3	A4	B	B1	B2	C	C1	C2	ØD	F
8021	[0.79]	[1.97]	[0.47]	-	[1.50]	[2.26]	[1.88]	[1.56]	[0.63]	[0.13]	[0.21]	[0.56]
8021-UE	20	50	12	-	38,2	57,4	47,9	39,6	16	3,2	5,3	14,3
8071	[1.97]	[3.00]	[0.39]	[0.39]	[1.56]	[2.81]	[2.12]	[1.65]	[0.75]	[0.13]	[0.28]	[0.34]
8071-UE	50	76,2	10	10	39,7	71,4	53,9	41,9	19,1	3,2	7,1	8,7

Model	H	H1	L	L1	L2	L3	M
8021	[2.40]	[4.44]	[9.86]	[2.25]	[0.44]	[1.31]	1/4
8021-UE	60,9	112,8	250,4	57,2	11	33,2	M6
8071	[2.63]	[5.12]	[10.74]	[2.72]	[0.40]	[1.83]	5/16
8071-UE	66,9	130	272,9	69	10,1	46,5	M8

# 817, 827 SERIES

## Pneumatic Toggle Clamps | Product Overview

### Features:

- Dual mounting surfaces for maximum flexibility
- Sensor ready for round or T-slot style sensors
- Built-in flow restriction eliminates need for external flow controls

### Applications:

- Assembly
- Welding

### Also Available:

See page MC-ACC-1 for spindle accessories

See page MC-PSC-38 for sensing options

817-U  
817-UE



817-S  
817-SE



827-U  
827-UE



827-S  
827-SE



## Technical Information | Holding Capacities

Model	Maximum Holding Capacity		Max. Exerting Force @ 5 bar [72 PSI]		Weight	Bore Size	Air Consumption† dm <sup>3</sup> [ft <sup>3</sup> ]	Port Size	Accessories (Supplied)		
	Inner	Outer	Inner	Outer					Spindle Accessory	Flanged Washers	Bolt Retainer
817-U	[375 lbf] 1670 N		[369 lbf] 1648 N					1/8NPT	--	507107	--
817-UE		[200 lbf] 890 N		[225 lbf] 1005 N	1,05 kg [2.31 lbs]	[1.26] 32	[0.015] 0,42	G-1/8	225208-M		
817-S	[450 lbf] 2000 N		[360 lbf] 1608 N					1/8 NPT	--	--	207107
817-SE								G-1/8			
827-U	[600 lbf] 2670 N	[390 lbf] 1735 N		[309 lbf] 1383 N				1/8 NPT	--	235106	--
827-UE			[491 lbf] 2200 N		2,14 kg [4.71 lbs]	[1.57] 40	[0.029] 0,83	G-1/8	240208-M		
827-S	[700 lbf] 3110 N	[330 lbf] 1470 N		[281 lbf] 1257 N				1/8 NPT	--	--	210114
827-SE								G-1/8			

†Per double stroke at 5 bar [72 PSI]

**Max Cylinder Pressure:** 10bar [145psig]\*

**Max Operating Temp:** -10°C to 90°C [-14°F to 194°F]

**Replacement Seal Kit:** 817: 802450-32-1-00  
827: 810450-40-1-00

**Replacement Clamp Assembly:** 817-U-LC, 817-S-LC, 827-U-LC, 827-S-LC

**Replacement Cylinder Assembly:** 817: 807CYL, 827: 810CYL

\*In no case should the inlet pressure be high enough to create an exerting force that exceeds the clamp's holding capacity. See Technical Appendix Section for details.

### Sensor Accessories

	Item Number
Round Reed Switch with Quick Disconnect	810169
T-slot Reed Switch with Quick Disconnect	8EA-109-1
Quick Disconnect 2M Extension Cable	CABL-010
Quick Disconnect 5M Extension Cable	CABL-013

See Pneumatic Accessories section for more options

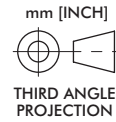
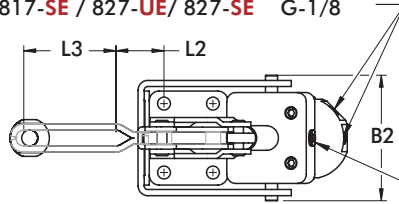
# 817, 827 SERIES

## Pneumatic Toggle Clamps | Dimensions | -U/-UE/-S/-SE

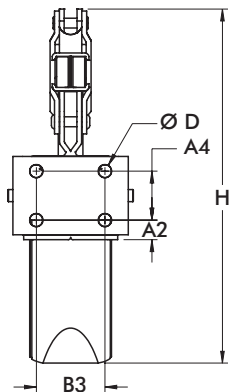
817-U  
817-UE



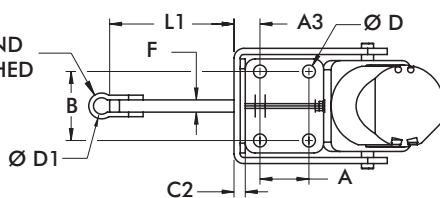
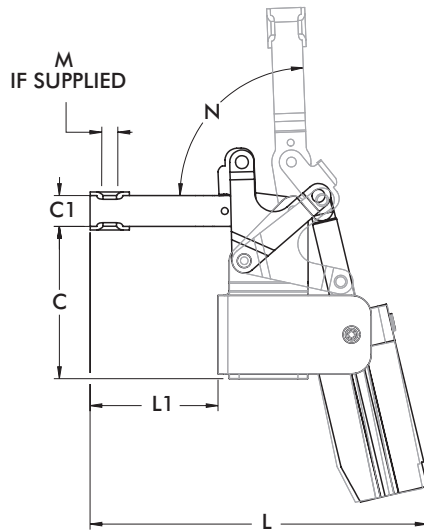
817-U / 817-S / 827-U / 827-S 1/8" NPT  
817-UE / 817-SE / 827-UE / 827-SE G-1/8



AUXILIARY UNCLAMP PORT  
(817-U, 817-S, 827-U, 827-S ONLY)

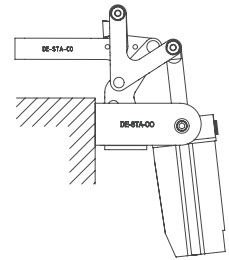
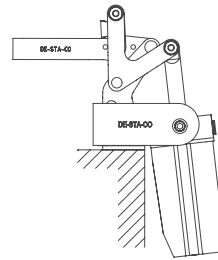
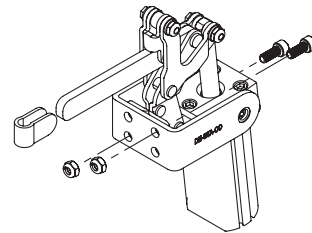


BOLT RETAINER IS SUPPLIED LOOSE AND NEEDS TO BE ATTACHED BY CUSTOMER



### Mounting Options:

Use two bolts in the "side" mounting holes, to secure mounting bracket, when "top" mounting.



Top Mounting

Side Mounting

Model	A	A2	A3	A4	B	B2	B3	C	C1	C2	C3	C4
817-U												
817-UE	[0.63]	[0.44]	[0.60]	[0.63]	[1.00]	[2.44]	[1.00]	[2.69]	[0.63]	[0.12]	[1.25]	[1.31]
817-S	16	11,2	15,1	16	25,4	62	25,4	68,3	16	3,1	31,8	33,3
817-SE												
827-U								[3.89]	[0.79]			[1.76]
827-UE	[1.25]	[0.51]	[0.66]	[1.25]	[1.75]	[3.08]	[1.75]	98,8	20	[0.12]	[2.00]	44,8
827-S	31,8	12,8	16,8	31,8	44,45	78,3	44,45	[3.91]	[0.75]	3,1	50,8	[1.78]
827-SE								99,2	19,1			45,3

Model	ØD	ØD1	F	H	L	L1	L2	L3	M	N
817-U					[6.24]	[2.37]	[0.19]	[1.90]		
817-UE	[0.27]	-	-	[7.51]	158,6	60,3	4,8	48,4	5/16	90°
817-S	6,7	[0.34]	[0.25]	190,7	[6.97]	[3.04]	-	-	M8	
817-SE		8,7	6,4		175,5	77,2				
827-U					[8.61]	[3.27]	[1.23]	[2.35]		
827-UE	[0.33]	-	-	[9.04]	218,7	83,1	31,2	59,7	3/8	88°
827-S	8,4	[0.42]	[0.31]	229,7	[8.49]	[3.18]	-	-	M10	
827-SE		10,7	7,9		215,6	80,7				

# 868 SERIES

## Pneumatic Toggle Clamps | Product Overview

### Features:

- Hardened pins and bushing at all pivot points for long lifecycle
- Large, solid clamping arm is easily modified to suit application requirements
- Sensor ready for round or T-slot style sensors

### Applications:

- Assembly
- Welding

### Also Available:

See page MC-PSC-38 for sensing options

868  
868-E



## Technical Information | Holding Capacities

Model	Maximum Holding Capacity		Max. Exerting Force @ 5 bar [72 PSI]		Weight	Bore Size	Air Consumption† dm <sup>3</sup> [ft <sup>3</sup> ]	Port Size
	Inner	Outer	Inner	Outer				
868	[4000 lbf] 17800 N	[2400 lbf] 10675 N	[1704 lbf] 7637 N	[800 lbf] 3585 N	[17.0 lbs] 7,71 kg	[2.48] 63	[0.109] 3,08	1/4 NPT
868-E								G-1/4

†Per double stroke at 5 bar [72 PSI]

**Max Cylinder Pressure:** 10bar [145psig]\*

**Max Operating Temp:** -10°C to 90°C [-14°F to 194°F]

**Replacement Seal Kit:** 850450-63-1-00

**Replacement Clamp Assembly:** 868-LC

**Replacement Cylinder Assembly:** 868CYL

\*In no case should the inlet pressure be high enough to create an exerting force that exceeds the clamp's holding capacity. See Technical Appendix Section for details.

### Sensor Accessories

	Item Number
Round Reed Switch with Quick Disconnect	810169
T-slot Reed Switch with Quick Disconnect	8EA-109-1
Quick Disconnect 2M Extension Cable	CABL-010
Quick Disconnect 5M Extension Cable	CABL-013

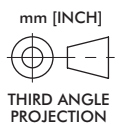
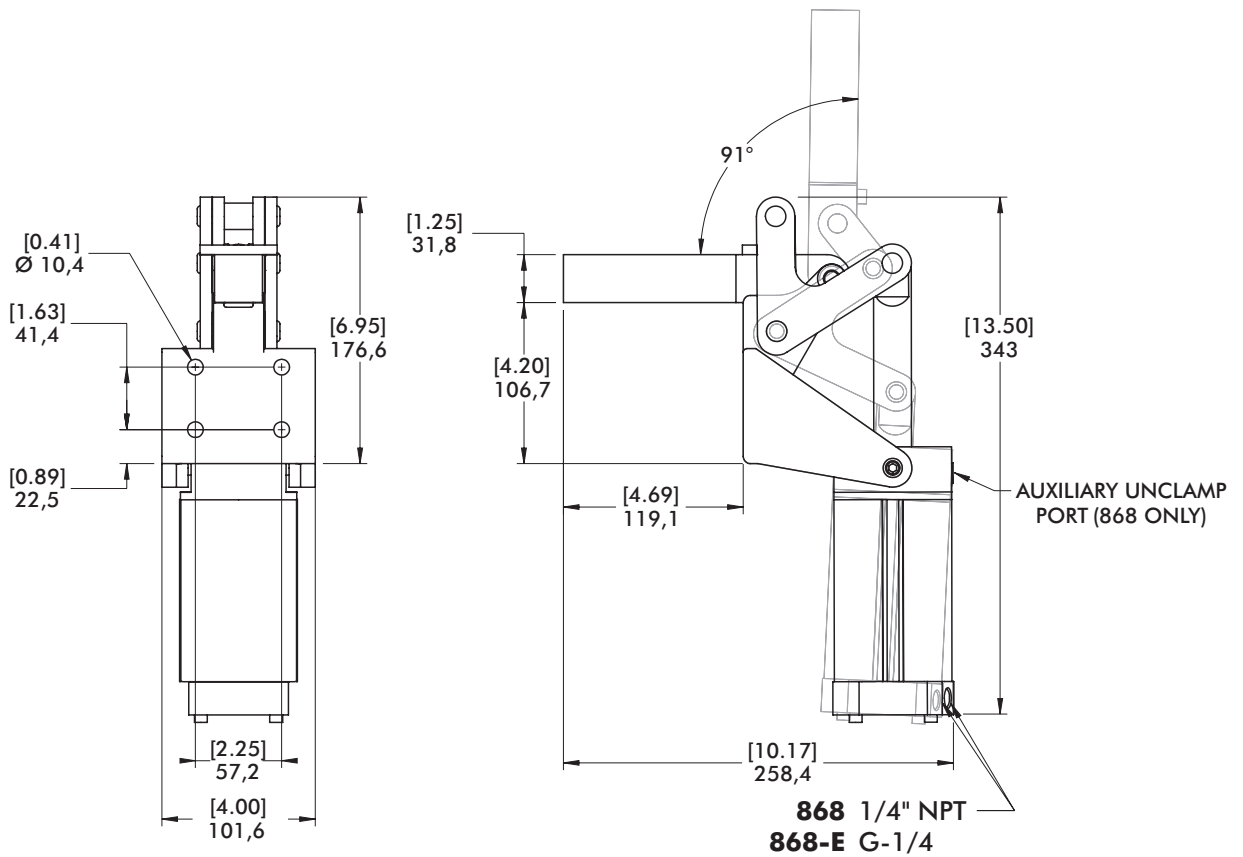
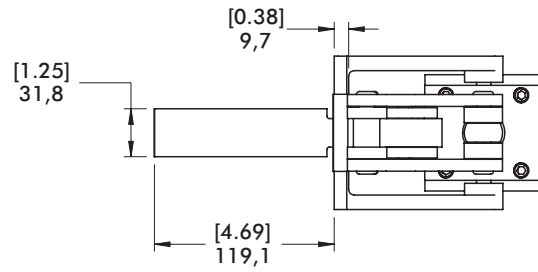
See Pneumatic Accessories section for more options



# 868 SERIES

## Pneumatic Toggle Clamps | Dimensions | -E

868  
868-E



# 803 SERIES

## Pneumatic Toggle Clamps | Product Overview

### Features:

- Pneumatic version of Model 603 manual straight line action clamp
- Sensor ready for round or T-slot style sensors

### Applications:

- Assembly
- Welding

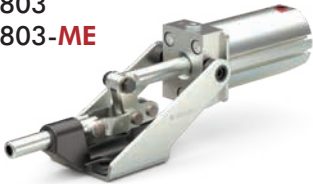
### Also Available:

See page MC-ACC-1 for spindle accessories

See page MC-PSC-38 for sensing options

High temperature version available  
Upon Request, add **-HT** to model number. Example: 803-U-**HT**

803  
803-ME



## Technical Information | Holding Capacities | Dimensions | -ME

Model	Maximum Holding Capacity	Maximum Exerting Force @ 5 bar [72 PSI]	Plunger Travel	Plunger Thread	Weight	Bore Size	Air Consumption† dm³ [ft³]	Port Size
803	[600 lbf] 2670 N	[675 lbf] 3015 N	[0.75] 19,1	5/16-18	[1.86 lbs] 0,84 kg	[1.26] 32	[0.015] 0,42	1/8 NPT
803-ME				M8				G-1/8

†Per double stroke at 5 bar [72 PSI]

**Max Cylinder Pressure:** 10bar [145psig]

**Max Operating Temp:** -10°C to 90°C [-14°F to 194°F]

**Replacement Seal Kit:** 802450-32-1-00

**Replacement Clamp Assembly:** 803-LC, 803-M-LC

**Replacement Cylinder Assembly:** 807CYL

\*In no case should the inlet pressure be high enough to create an exerting force that exceeds the clamp's holding capacity. See Technical Appendix Section for details.

### Sensor Accessories

Round Reed Switch with Qk Disconnect

### Item Number

810169

T-slot Reed Switch with Qk Disconnect

8EA-109-1

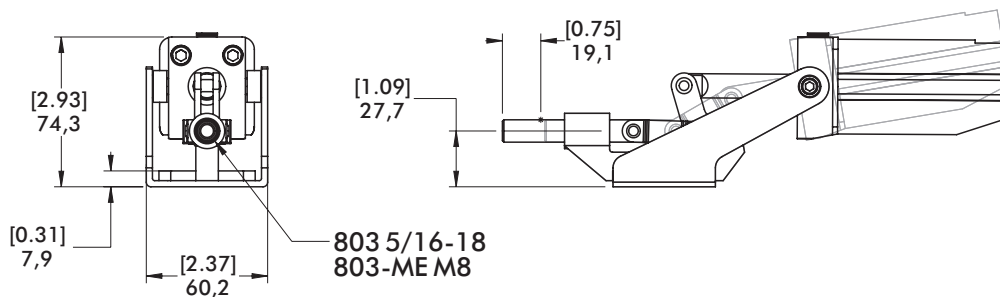
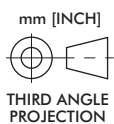
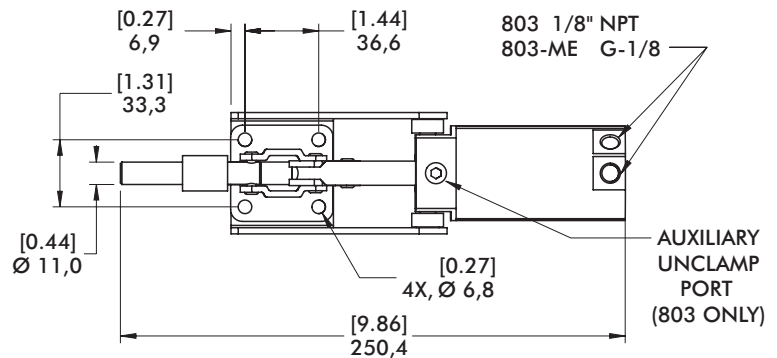
Quick Disconnect 2M Extension Cable

CABL-010

Quick Disconnect 5M Extension Cable

CABL-013

See Pneumatic Accessories section for more options



# 8031 SERIES

## Pneumatic Toggle Clamps | Product Overview

### Features:

- Fully enclosed straight line action clamp for the dirtiest environments
- Compact design with high holding capacity
- Sensor ready for round style sensors

### Applications:

- Assembly
- Welding

### Also Available:

See page MC-ACC-1 for spindle accessories  
See page MC-PSC-38 for sensing options

8031 ⓘ



## Technical Information | Holding Capacities | Dimensions

Model	Maximum Holding Capacity	Maximum Exerting Force @ 5 bar [72 PSI]	Plunger Travel	Plunger Thread	Weight	Bore Size	Air Consumption† dm³ [ft³]	Port Size
8031 ⓘ	[2000 lbf] 8900 N	[731 lbf] 3285 N	[0.75] 19,1	M8	[1.17 lbs] 2,58 kg	[1.26] 32	[0.006] 0,18	1/8 NPT

**Max Cylinder Pressure:** 10bar [145psig]\*

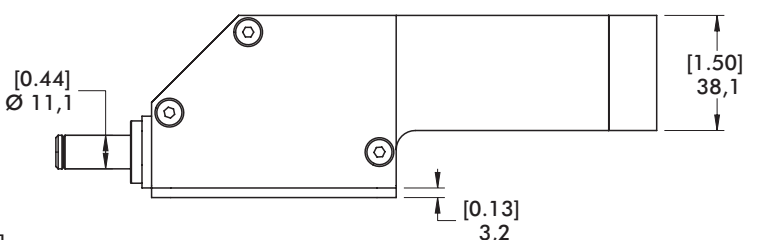
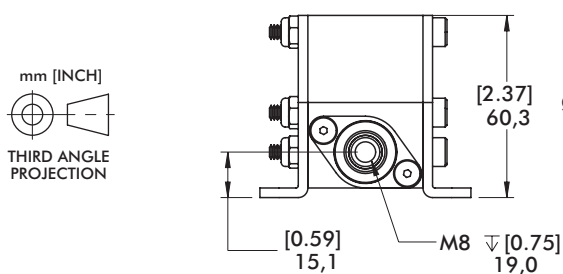
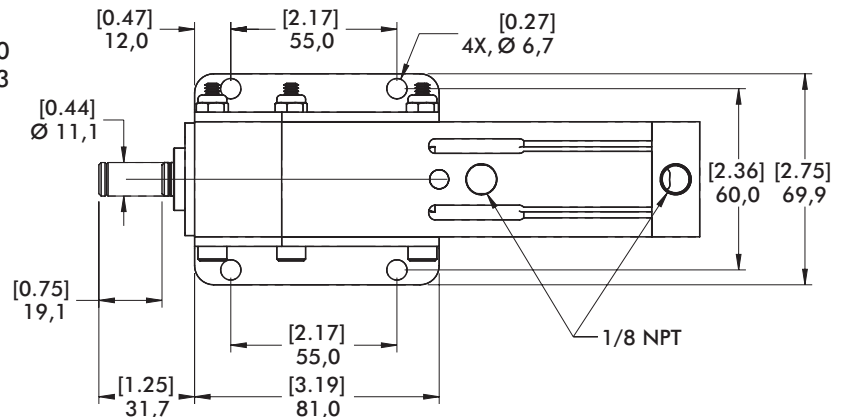
**Max Operating Temp:** -10°C to 90°C [-14°F to 194°F]

\*In no case should the inlet pressure be high enough to create an exerting force that exceeds the clamp's holding capacity. See Technical Appendix Section for details.

### Sensor Accessories

	Item Number
Round Reed Switch with Quick Disconnect	810169
Quick Disconnect 2M Extension Cable	CABL-010
Quick Disconnect 5M Extension Cable	CABL-013

See Pneumatic Accessories section for more options



# 830 SERIES

## Pneumatic Toggle Clamps | Product Overview

### Features:

- Pneumatic version of Model 630 manual straight line action clamp
- Sensor ready for round or T-slot style sensors
- Built-in flow restriction eliminates need for external flow controls

### Applications:

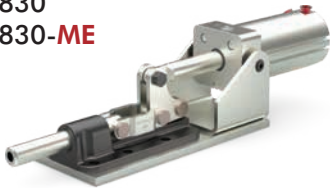
- Assembly
- Welding

### Also Available:

See page MC-ACC-1 for spindle accessories

See page MC-PSC-38 for sensing options

830  
830-ME



## Technical Information | Holding Capacities | Dimensions | -ME

Model	Maximum Holding Capacity	Maximum Exerting Force @ 5 bar [72 PSI]	Plunger Travel	Plunger Thread	Weight	Bore Size	Air Consumption† dm³ [ft³]	Port Size
830	[2500 lbf] 11100 N	[800 lbf] 3582 N	[0.75] 19,1	3/8-16	2,79 kg [6.14 lbs]	[1.57] 40	[0.029] 0,83	1/8 NPT
830-ME				M10				G-1/8

†Per double stroke at 5 bar [72 PSI]

**Max Cylinder Pressure:** 10bar [145psig]

**Max Operating Temp:** -10°C to 90°C [-14°F to 194°F]

**Replacement Seal Kit:** 810450-40-1-00

**Replacement Clamp Assembly:** 830-LC, 830-M-LC

**Replacement Cylinder Assembly:** 810CYL

\*In no case should the inlet pressure be high enough to create an exerting force that exceeds the clamp's holding capacity. See Technical Appendix Section for details.

### Sensor Accessories

Round Reed Switch with Quick Disconnect

T-slot Reed Switch with Quick Disconnect

Quick Disconnect 2M Extension Cable

Quick Disconnect 5M Extension Cable

### Item Number

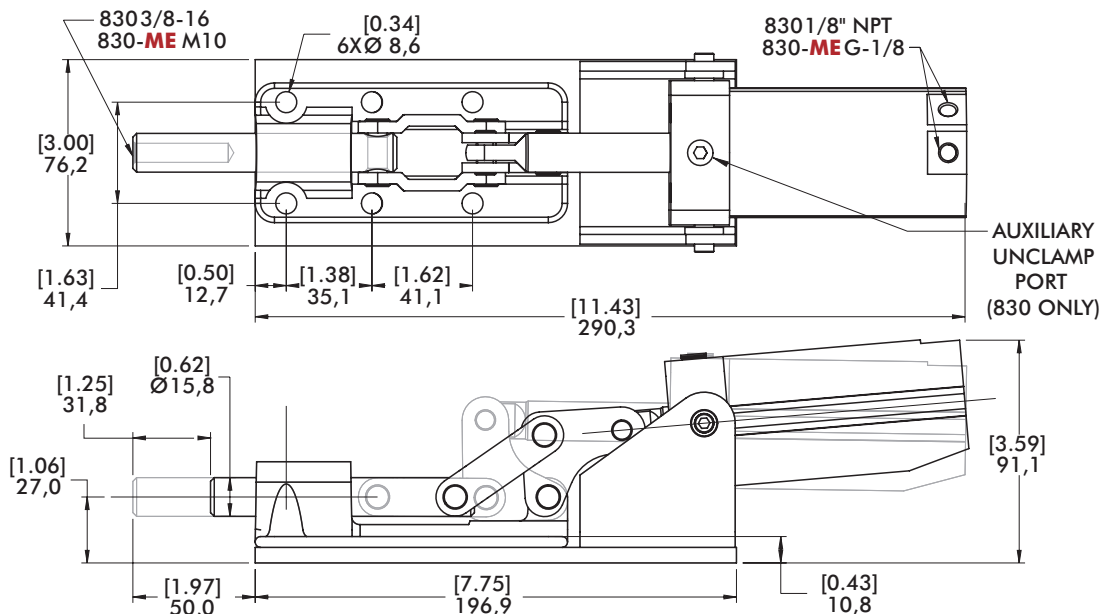
810169

8EA-109-1

CABL-010

CABL-013

See Pneumatic Accessories section for more options



### Features:

- Pneumatic version of Model 650 manual straight line action clamp
- Sensor ready for round or T-slot style sensors
- Built-in flow restriction eliminates need for external flow controls

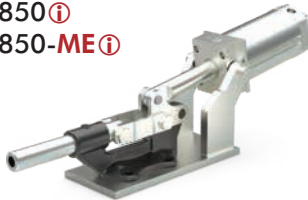
### Applications:

- Assembly
- Welding
- Light press operations

### Also Available:

See page MC-ACC-1 for spindle accessories  
See page MC-PSC-38 for sensing options

850 ⓘ  
850-ME ⓘ



## Technical Information | Holding Capacities | Dimensions | -ME

Model	Maximum Holding Capacity	Maximum Exerting Force @ 5 bar [72 PSI]	Plunger Travel	Plunger Thread	Weight	Bore Size	Air Consumption† dm³ [ft³]	Port Size
850 ⓘ	[16000 lbf] 71200 N	[1232 lbf] 5522 N	[2.00] 50,8	5/8-11	[16.66 lbs] 7,56 kg	[2.48] 63	[0.109] 3,08	1/4 NPT
850-ME ⓘ				M16				G-1/4

ⓘ This item is available upon request. †Per double stroke at 5 bar [72 PSI]

**Max Cylinder Pressure:** 10bar [145psig]  
**Max Operating Temp:** -10°C to 90°C [-14°F to 194°F]  
**Replacement Seal Kit:** 850450-63-1-00  
**Replacement Clamp Assembly:** 850-LC, 850-M-LC  
**Replacement Cylinder Assembly:** 868CYL

\*In no case should the inlet pressure be high enough to create an exerting force that exceeds the clamp's holding capacity. See Technical Appendix Section for details.

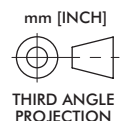
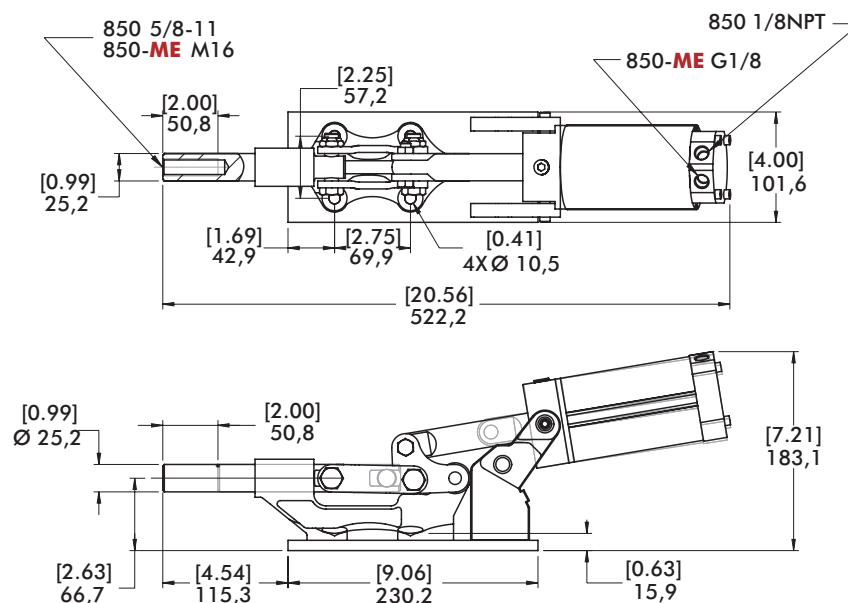
### Sensor Accessories

Round Reed Switch with Quick Disconnect  
T-slot Reed Switch with Quick Disconnect  
Quick Disconnect 2M Extension Cable  
Quick Disconnect 5M Extension Cable

### Item Number

810169  
8EA-109-1  
CABL-010  
CABL-013

See Pneumatic Accessories section for more options



# 8051, 8331 SERIES

## Pneumatic Pull Action Latch Clamps | Product Overview

### Features:

- Pneumatic version of 3051 & 3031
- Sensor ready for T-slot or round sensors

### Applications:

- Assembly
- Automated latching

### Also Available:

Optional handle for manual positioning -H, -EH

8051  
8051-E



8051-H  
8051-EH



8331  
8331-E



8331-H  
8331-EH



## Technical Information | Holding Capacities

Model	Holding Capacity	Exerting Force @ 5.5 bar [80 PSI]	Weight	Ø Bore Size	Pull Stroke	Arm Opening	Port Size	Air Consumption
8051							1/8 NPT	[0.003 cfm] 0,005 cubic m/hr
8051-H	[600 lbf] 2669 N	[409 lbf] 1819 N	[2.56 lb] 1.16 kg	[1.26 in] 32 mm	[0.69 in] 17.5 mm	35°-30°	G-1/8	
8051-E								
8051-EH								
8331							1/8 NPT	[0.001 cfm] 0,001 cubic m/hr
8331-H	[450 lbf] 2002 N	[302 lbf] 1343 N	[2.12 lb] 0.96 kg	[0.79 in] 20 mm	[0.37 in] 9.3 mm	32°-27°	G-1/8	
8331-E								
8331-EH								

This item is available upon request.

Max Cylinder Pressure: 8.3 bar [120 psig]

Min Cylinder Pressure: 2.8 bar [40 psig]

Max Operating Temp: -10°C to 90°C [-14°F to 194°F]

Replacement Seal Kit: 8051: 807450-32-1-00  
8331: 802550-20-1-00

### Sensor Accessories

Ø4mm Sensor with Quick Disconnect

3x6mm T Slot Sensor with Quick Disconnect

Quick Disconnect 2M Extension Cable

Quick Disconnect 5M Extension Cable

### Item Number

810169

8EA-109-1

CABL-010

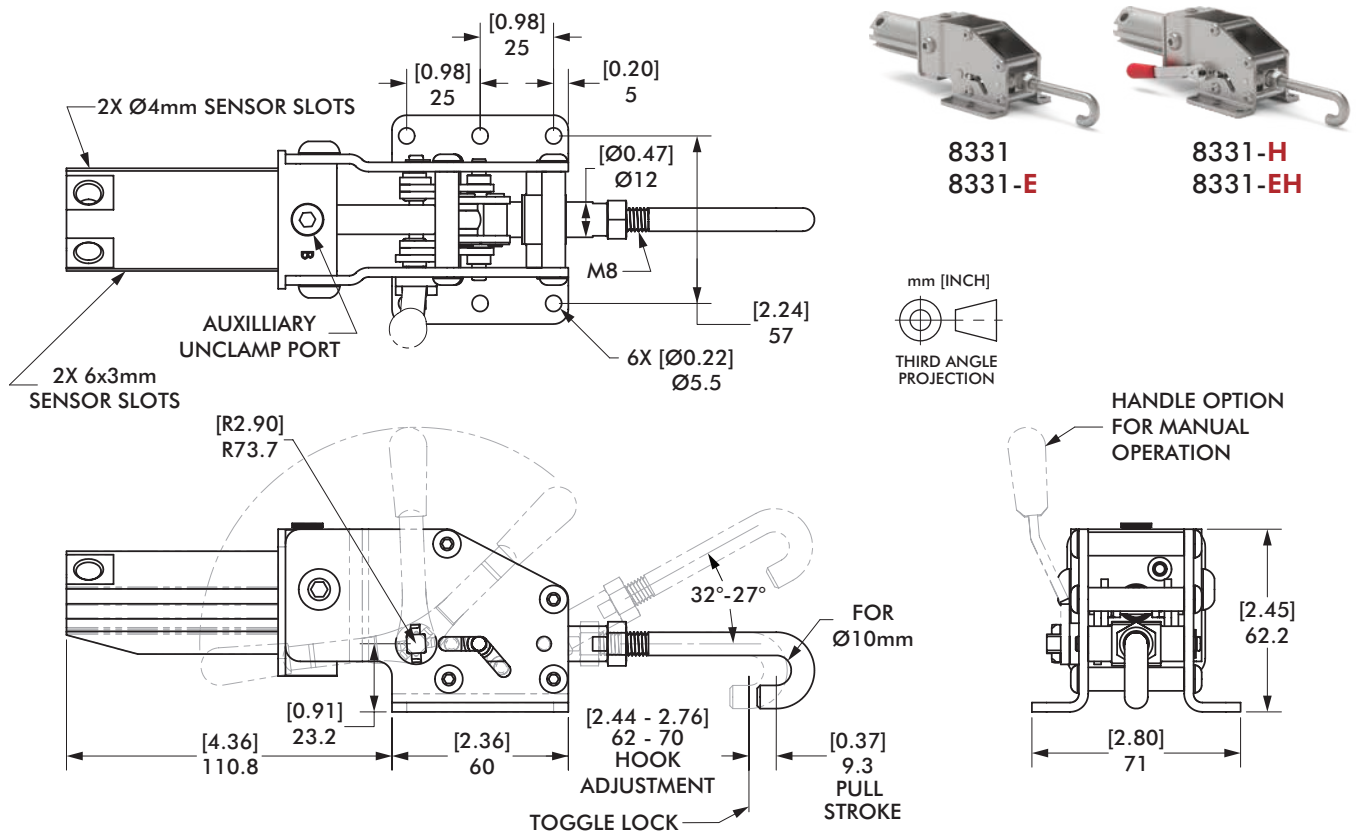
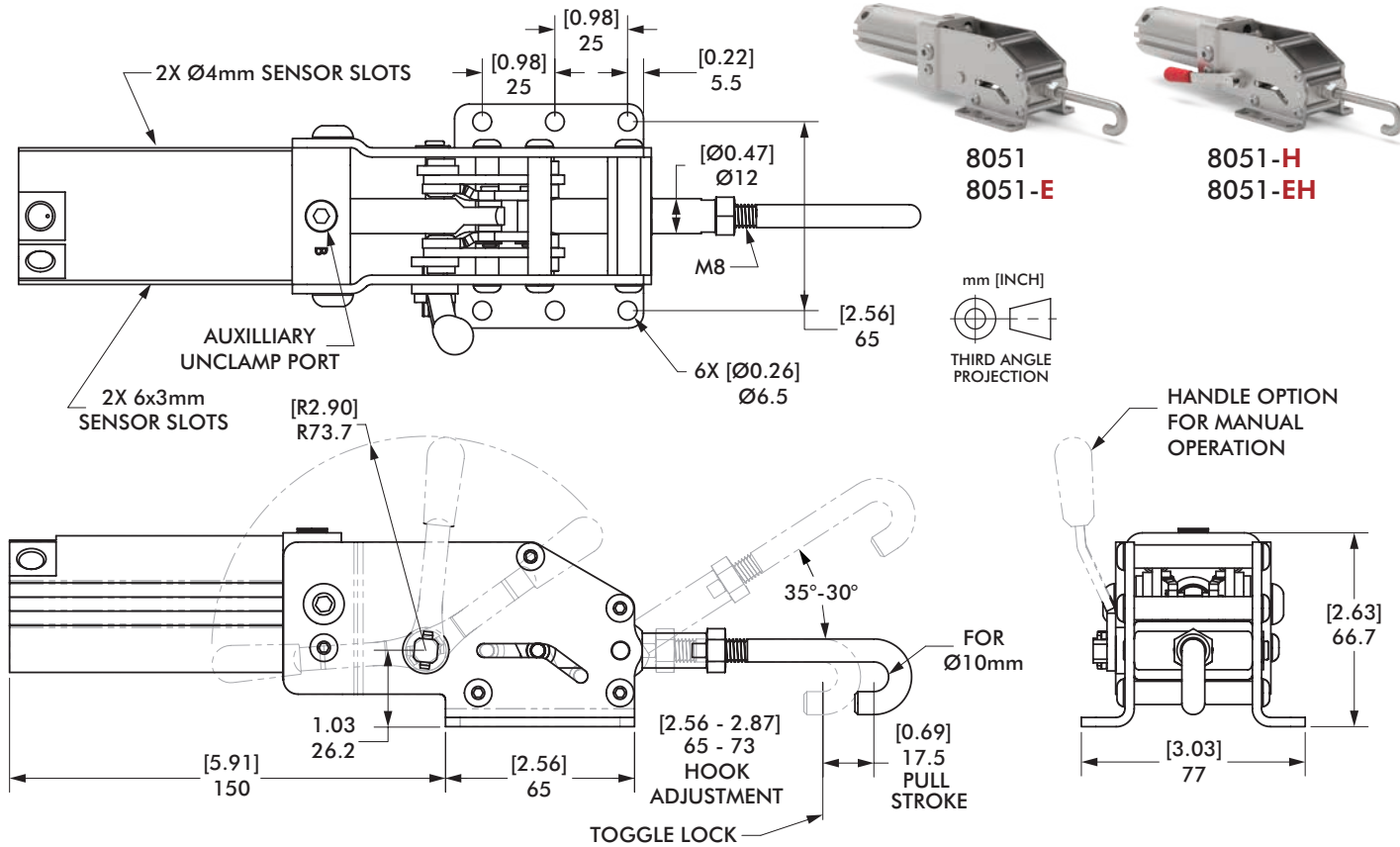
CABL-013

## Force Throughout Pull Stroke

		8331				8051				
		[40 psi] 2.8 bar	[60 psi] 4.1 bar	[80 psi] 5.5 bar	[100 psi] 6.9 bar	0 LOCK	[40 psi] 2.8 bar	[60 psi] 4.1 bar	[80 psi] 5.5 bar	[100 psi] 6.9 bar
DISTANCE FROM LOCK	0 LOCK	[135 lbs] 601 N	[218 lbs] 970 N	[302 lbs] 1343 N	[381 lbs] 1695 N	0 LOCK	[234 lbs] 1041 N	[316 lbs] 1406 N	[409 lbs] 1819 N	[517 lbs] 2300 N
	[0.059] 1.5	[35 lbs] 156 N	[67 lbs] 298 N	[95 lbs] 423 N	[120 lbs] 534 N	[0.098] 2.5	[58 lbs] 258 N	[112 lbs] 498 N	[158 lbs] 703 N	[198 lbs] 881 N
	[0.118] 3	[26 lbs] 116 N	[41 lbs] 182 N	[63 lbs] 280 N	[81 lbs] 360 N	[0.197] 5	[41 lbs] 182 N	[68 lbs] 302 N	[103 lbs] 458 N	[136 lbs] 605 N
	[0.177] 4.5	[23 lbs] 102 N	[39 lbs] 173 N	[51 lbs] 227 N	[65 lbs] 289 N	[0.295] 7.5	[36 lbs] 160 N	[61 lbs] 271 N	[85 lbs] 378 N	[111 lbs] 494 N
	[0.236] 6	[21 lbs] 93 N	[28 lbs] 125 N	[46 lbs] 205 N	[57 lbs] 254 N	[0.394] 10	[42 lbs] 187 N	[52 lbs] 231 N	[82 lbs] 365 N	[100 lbs] 445 N
	[0.295] 7.5	[20 lbs] 89 N	[29 lbs] 129 N	[47 lbs] 209 N	[59 lbs] 262 N	[0.492] 12.5	[35 lbs] 156 N	[51 lbs] 227 N	[81 lbs] 360 N	[99 lbs] 440 N
	[0.354] 9	[17 lbs] 76 N	[28 lbs] 125 N	[34 lbs] 151 N	[39 lbs] 173 N	[0.591] 15	[51 lbs] 227 N	[68 lbs] 302 N	[93 lbs] 414 N	[99 lbs] 440 N
						[0.689] 17.5	[34 lbs] 151 N	[56 lbs] 249 N	[100 lbs] 445 N	[113 lbs] 503 N

# 8051, 8331 SERIES

## Pneumatic Pull Action Latch Clamps | Dimensions | -E/-H/-EH



# 800, 1200 SERIES

## Pneumatic Single-Action Hold Down Clamp | Product Overview

### Features:

- Low profile and compact for mounting in tight spaces
- Uniform clamping force throughout full stroke
- Accommodates variable workpiece thickness
- Single acting - air advance, spring return

### Applications:

- Assembly
- Welding
- Light machining

### How it Works:

1. Clamp arm retracts fully for loading and unloading.
2. Clamp arm moves straight forward.
3. Clamp arm pivots down to hold workpiece.

800



800-E



1200 ⓘ



1200-E ⓘ



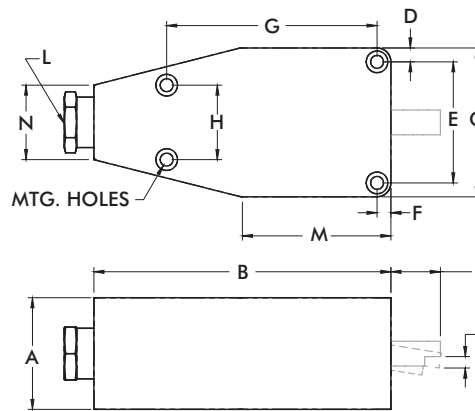
## Technical Information | Holding Capacities | Dimensions | -E

Model	Inlet Pressure bar [PSI]	Exerting Force @ 4,8 bar [70 PSI] N [lbf]	Max. Pressure at Max. Mechanical Advantage† bar [PSI]	Clamping Range	Weight Kg [lbs]	Port Size
800	[70~150] 4,8~10,3	[800] 3560	4,8 [70]	[0.09] 2,3	[2.50] 1,13	1/4 NPT
800-E		[500] 2225		[0.16] 4,0		
1200 ⓘ		[1200] 5340		[0.25] 6,4	[4.00] 1,81	
1200-E ⓘ		[775] 3450		[0.38] 9,6		

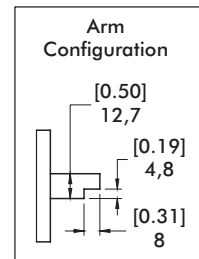
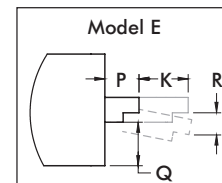
ⓘ This item is available upon request

**Note:** For use with pneumatic power only. This is a single acting device (air clamp, spring return), a 3-way air valve required for control.

Repair Kits: 800-00,  
1200-00

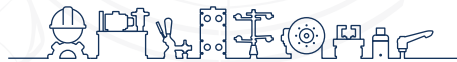


**Note:**  
K (Forward Stroke)  
R (Downward Stroke)



Model	A	B	C	D	E	F	G	H	K	L	M	N	P	Q	R	MNTG HOLES	
800	[1.63] 41,4	[4.81] 122,8	[2.72] 69,1	[0.25] 6,4	[2.21] 56,1	[0.25] 6,4	[3.13] 79,5	[1.19] 30,2	[0.50] 12,7	1/4 NPT	[2.31] 58,37	[1.50] 38,1	-	[0.59] 15,0	[0.09] 2,3	[0.26] 6,6	
800-E													[0.50] 12,7		[0.16] 4,1		
1200														-	[0.63] 16		[0.25] 6,4
1200-E	[2.25] 57,2	[6.00] 152,4	[3.00] 76,2	[0.28] 7,1	[2.44] 62	[0.28] 7,1	[4.25] 108	[1.50] 38,1	[0.69] 17,5			[3.00] 76,2	[1.38] 35,1	[0.69] 17,5	[0.38] 9,7		





inf @ /CESEHSA.com.mx

