

82M Heavy-Duty Modular

01/28/2025



info@cesehsa.com.mx

cesehsa.com.mx



82M Heavy-Duty Modular

01/28/2025

This catalog is a custom document and the products included is based on your unique selection from portions of complete catalogs that already exist. Please refer to our full catalogs for more information on products not included in this customized document.

Table of Contents

Heavy-Duty Modular

PC-PPC-27

82M Heavy-Duty Modular

01/28/2025

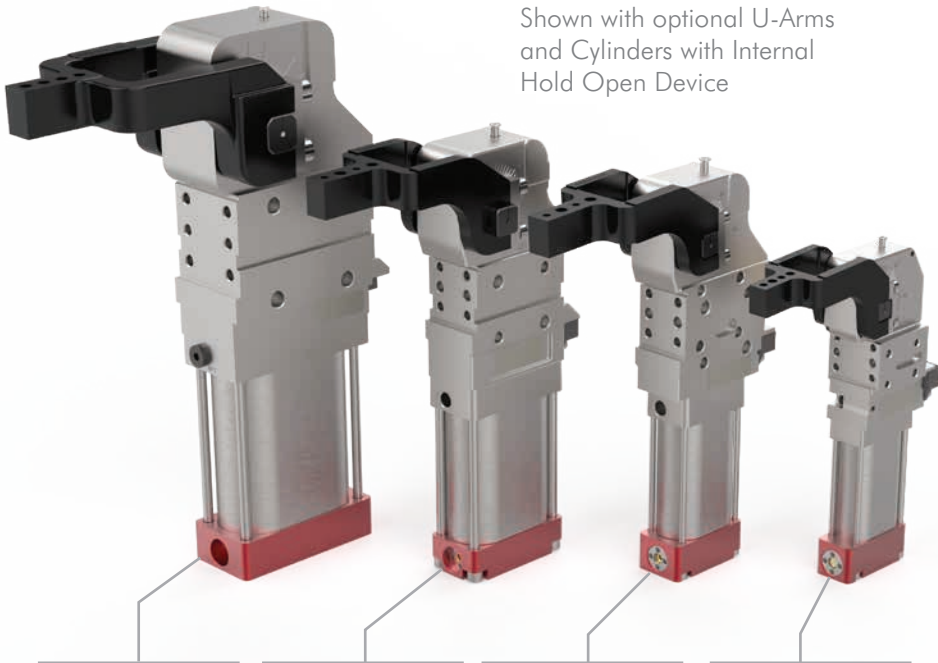
Table of Contents (continued)

82M

Enclosed Pneumatic Power Clamps | Heavy-Duty, Tolerance Compensation | Product Overview

82M Series Enclosed Power Clamp

Shown with optional U-Arms and Cylinders with Internal Hold Open Device



"B" Front Mount available for 82M and TCC size 40mm

Same mounting pattern as size 50 and 63mm



NAAMS Lateral Mounting available on 82M and TCC in addition to narrow, wide and NAAMS Clamp Arm Shafts

80mm

Max Holding Torque
3000 Nm
Max Clamping Torque
850 Nm at 5bar

63mm

Max Holding Torque
1800 Nm
Max Clamping Torque
420 Nm at 5bar

50mm

Max Holding Torque
1300 Nm
Max Clamping Torque
270 Nm at 5bar

40mm

Max Holding Torque
380 Nm
Max Clamping Torque
120 Nm at 5bar

TCC Tolerance Compensating Power Clamp

Shown with optional U-Arms and Cylinders with Internal Hold Open Device



63mm

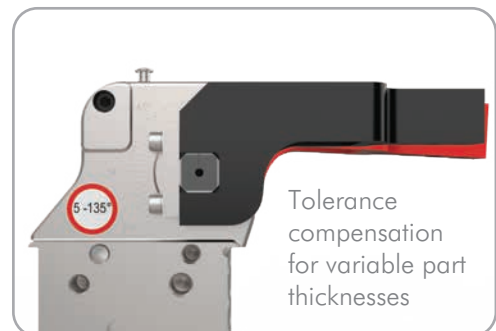
Max Holding Torque
295 Nm
Max Clamping Torque
295 Nm at 5bar

50mm

Max Holding Torque
175 Nm
Max Clamping Torque
175 Nm at 5bar

40mm

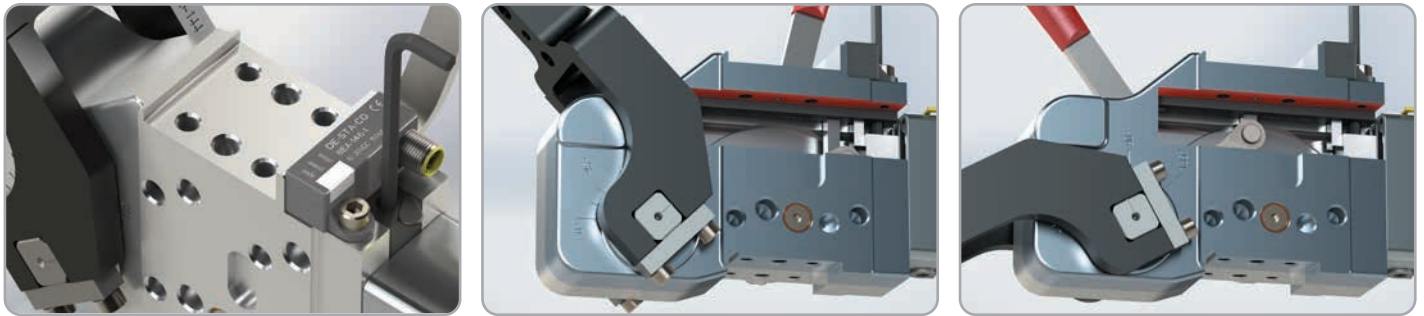
Max Holding Torque
85 Nm
Max Clamping Torque
85 Nm at 5bar



Tolerance compensation for variable part thicknesses

- Tolerance compensation for variable sheet metal thicknesses within three degrees of arm movement
- There is no need for shimming

Adjusting the Arm Opening Angle

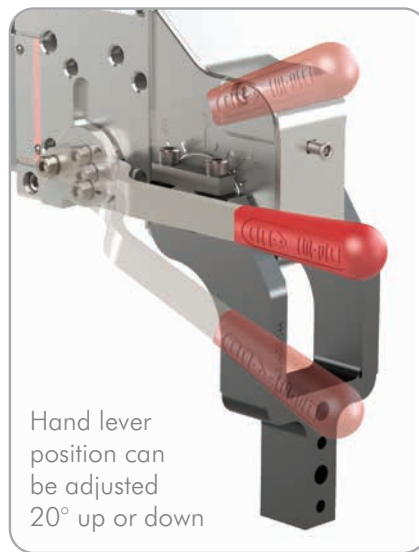


Easily adjust arm opening angle with an M5 Allen wrench.

- Move clamp arm to full open position.
- Using Allen wrench, release mechanism (leave Allen wrench in place).
- Move clamp arm to desired opening.
- Tighten to 10-15 Nm.

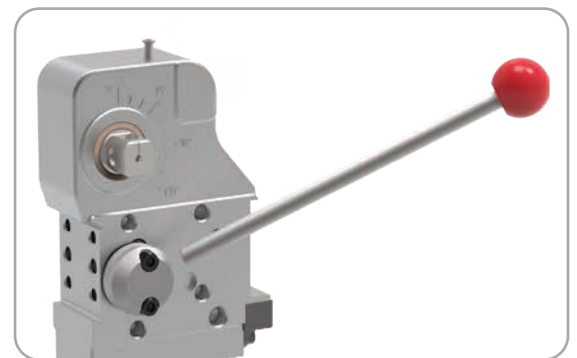
Enclosed Power Clamp Hand Lever (82M-3E Models Only)

Standard Adjustable Hand Lever



- Hand lever position is adjustable for improved ergonomics
- Handle can be mounted on the left or right side

Weldable Hand Lever



- Hand lever can be welded into a permanent position.
- Handle can be mounted on the left or right side

82M-3

Enclosed Pneumatic Power Clamps | Heavy-Duty Modular | Ordering Information

82M-3

E

23

H0

50

L8

| Mounting | Description |
|----------|--|
| E | Standard Mounting |
| B | Common Front Mount for Size 40 only (same mount pattern as size 50 & 63) |
| N | NAAMS Side Mounting for Size 40 & 63 only |

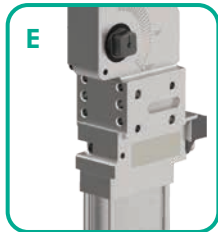
| Clamp Arm Shaft | Description |
|-----------------|--|
| 03 | for U-Arms |
| 13 | for U-Arms (required for 40 NAAMS N only) |
| 23 | for Lateral Arms |
| D0 | for Lateral Arms (size 63 NAAMS N only) |

| Hand Lever | Description |
|------------|---------------|
| 00 | No Hand lever |
| H0 | Hand Lever |
| HS | Weldable |

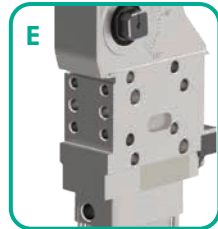
See below for further details

See below for further details

Mounting



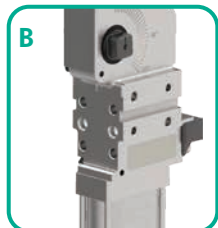
Size 40



Size 50



Size 63/80



Size 40 Only



Size 40/63 Only

Clamp Arm Shaft



03

| Size | Shaft Length (L17) |
|------|--------------------|
| 40 | 9 mm [0.35 in] |
| 50 | 12 mm [0.47 in] |
| 63 | 12 mm [0.47 in] |



13

| Size | Shaft Length |
|------|----------------|
| 40 | 9 mm [0.35 in] |



23/D0

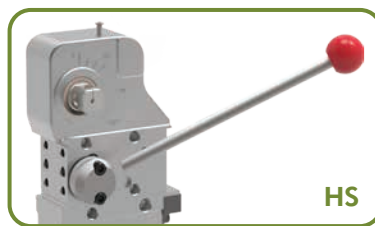
| 23 | Size | Shaft Length (L17) |
|----|------|--------------------|
| | 40 | 16 mm [0.63 in] |
| | 50 | 21 mm [0.83 in] |
| | 63 | 21 mm [0.83 in] |
| | 80 | 32 mm [1.26 in] |

| D0 | Size | Shaft Length (L17) |
|----|------|--------------------|
| | 63 | 26 mm [1.02 in] |

Hand Lever

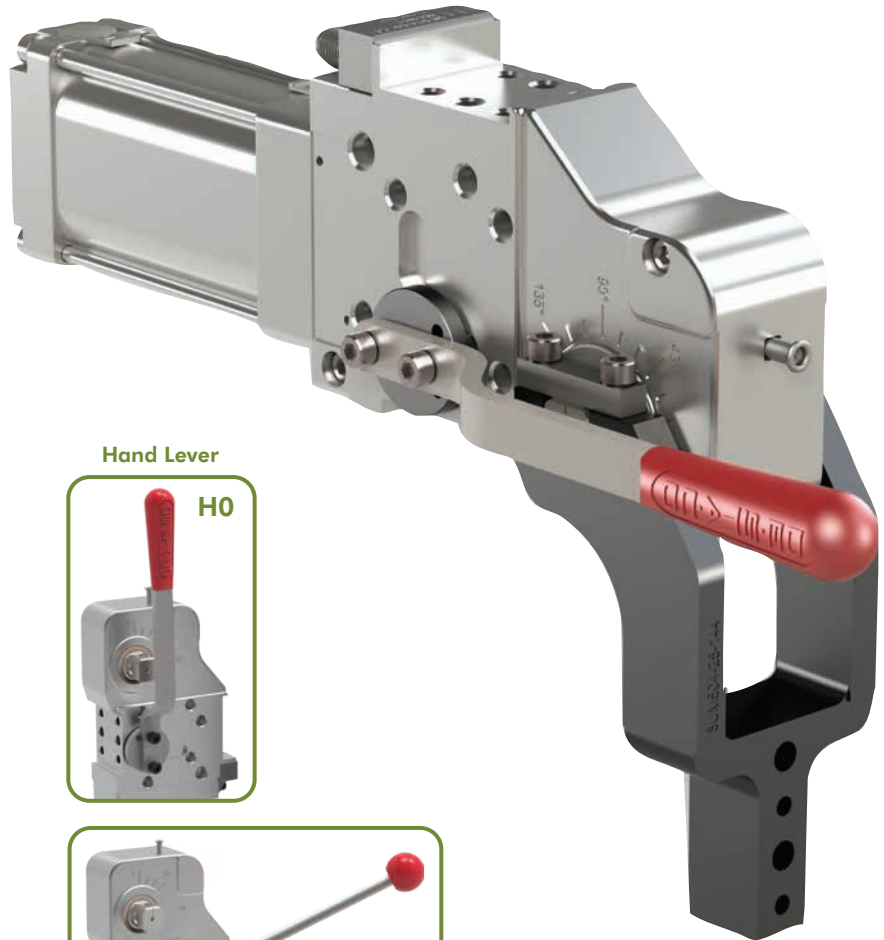


H0



HS

| Hand Lever | Description |
|------------|---|
| 00 | No Hand Lever |
| H0 | Standard Hand Lever (not compatible with cylinder options *A, *B) |
| HS | Weldable Hand Lever (not compatible with cylinder options *A, *B) |

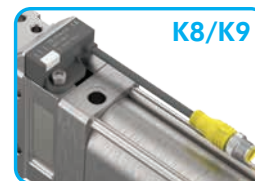


Shown with U-Arm
8UM504-25-144
(order separately)

Enclosed Pneumatic Power Clamps | Heavy-Duty Modular | Ordering Information

| Sensor | Description |
|--------|---|
| 00 | Without Sensing System |
| L8 | PNP Sensor with In-line M12x1 Connector (8EA-146-4-B) |
| N8 | NPN Sensor with In-line M12x1 Connector (8EA-154-4-B) |
| L9 | PNP Sensor with 90° M12x1 Connector (8EA-147-4-B) |
| N9 | NPN Sensor with 90° M12x1 Connector (8EA-155-4-B) |
| K8 | PNP Sensor with M12x1 Cable Connector (8EA-158-4-B) |
| K9 | NPN Sensor with M12x1 Cable Connector (8EA-167-4-B) |

Part numbers listed above are for sensor box only. For complete sensor kits see page 69.



Cylinder - Standard

- 40** 40 mm Cylinder (G1/8 Port)
- 50** 50 mm Cylinder (G1/4 Port)
- 5N** 50 mm Cylinder (1/4-18 NPT Port)
- 63** 63 mm Cylinder (G1/4 Port)
- 6N** 63 mm Cylinder (1/4-18 NPT Port)
- 80** 80 mm Cylinder (G1/4 Port)
- 8N** 80 mm Cylinder (1/4-18 NPT Port)



Cylinder with Internal Hold Open Device

- 4A** 40 mm Cylinder (G1/8 Port)
- 5A** 50 mm Cylinder (G1/4 Port)
- 5B** 50 mm Cylinder (1/4-18 NPT Port)
- 6A** 63 mm Cylinder (G1/4 Port)
- 6B** 63 mm Cylinder (1/4-18 NPT Port)
- 8A** 80 mm Cylinder (G1/4 Port)
- 8B** 80 mm Cylinder (1/4-18 NPT Port)



40

Max Holding Torque
380 Nm [280 ft-lb]
Max Clamping Torque
120 Nm [89 ft-lb]
at 5 bar [72 psi]

50

Max Holding Torque
1300 Nm [959 ft-lb]
Max Clamping Torque
270 Nm [199 ft-lb]
at 5 bar [72 psi]

63

Max Holding Torque
1800 Nm [1328 ft-lb]
Max Clamping Torque
420 Nm [310 ft-lb]
at 5 bar [72 psi]

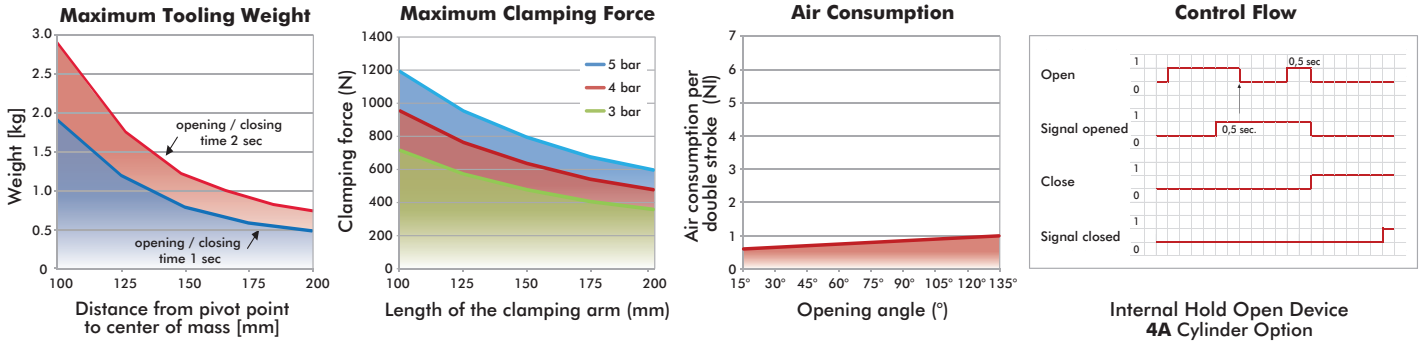
80

Max Holding Torque
3000 Nm [2213 ft-lb]
Max Clamping Torque
850 Nm [627 ft-lb]
at 5 bar [72 psi]

82M-3

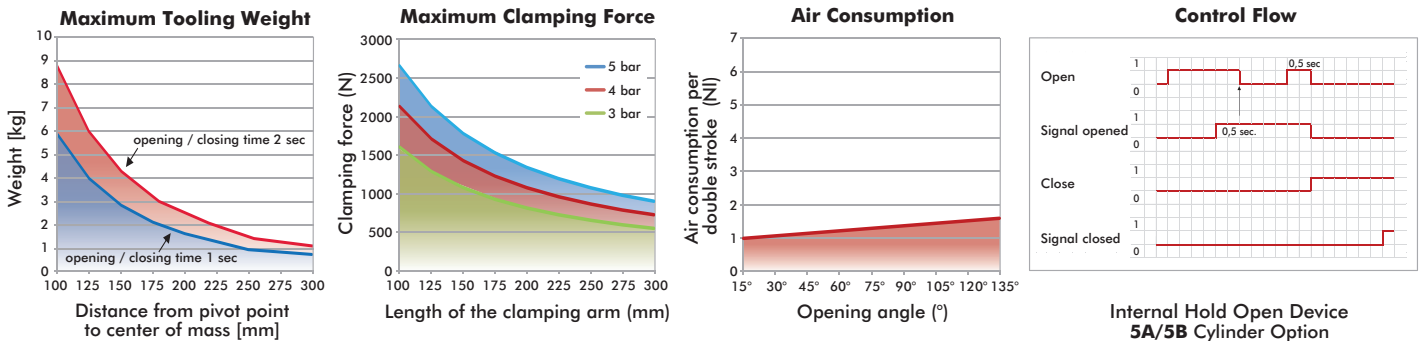
Enclosed Pneumatic Power Clamps | Heavy-Duty Modular | Technical Specifications

| Model | Max. Holding Torque (Nm) | Clamping Torque at 5 bar (Nm) | Cylinder Ø (mm) | Weight (kg) | Air Consumption per double stroke at 5 bar (liter) |
|---------------|--------------------------|-------------------------------|-----------------|-------------|--|
| 82M-3E...4... | 380 | 120 | 40 | 1,5 | 0,9 |
| 82M-3B...4... | | | | | |
| 82M-3N...4... | | | | | |



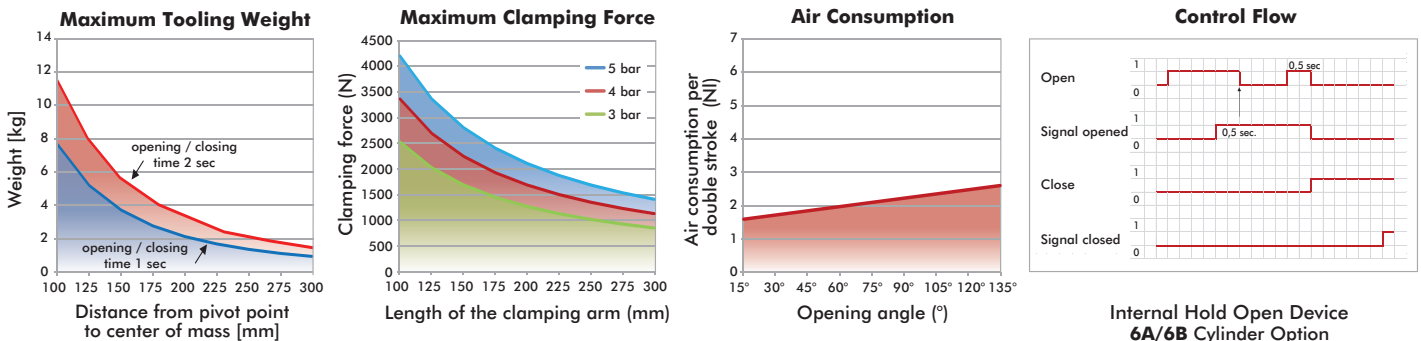
ATTENTION: Calculation tool available. Please consult factory.

| Model | Max. Holding Torque (Nm) | Clamping Torque at 5 bar (Nm) | Cylinder Ø (mm) | Weight (kg) | Air Consumption per double stroke at 5 bar (liter) |
|---------------|--------------------------|-------------------------------|-----------------|-------------|--|
| 82M-3E...5... | 1300 | 270 | 50 | 2,8 | 1,6 |



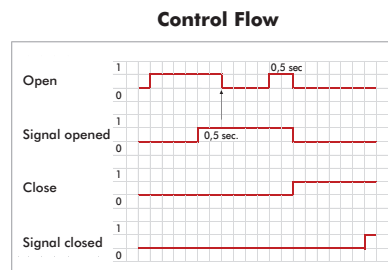
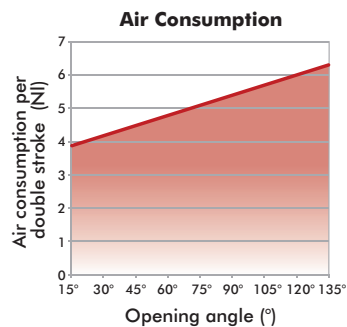
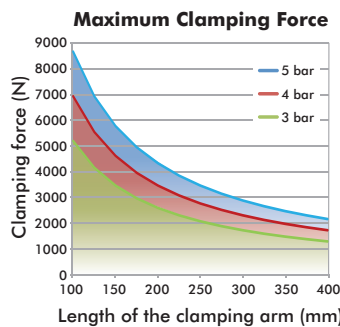
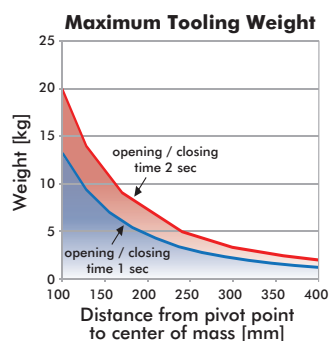
ATTENTION: Calculation tool available. Please consult factory.

| Model | Max. Holding Torque (Nm) | Clamping Torque at 5 bar (Nm) | Cylinder Ø (mm) | Weight (kg) | Air Consumption per double stroke at 5 bar (liter) |
|---------------|--------------------------|-------------------------------|-----------------|-------------|--|
| 82M-3E...6... | 1800 | 420 | 63 | 3,8 | 2,6 |
| 82M-3N...6... | | | | | |



ATTENTION: Calculation tool available. Please consult factory.

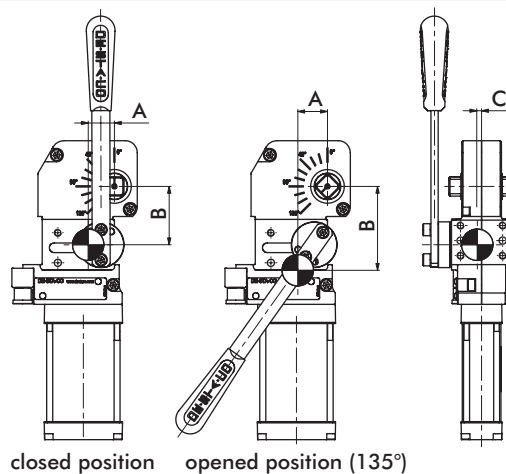
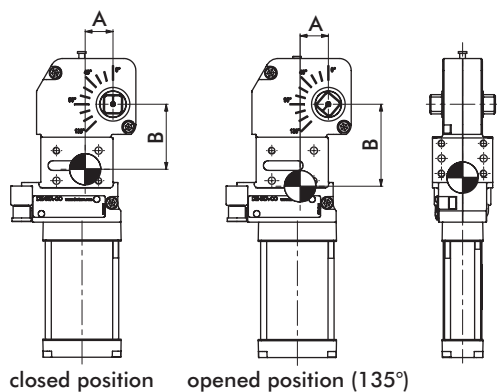
| Model | Max. Holding Torque (Nm) | Clamping Torque at 5 bar (Nm) | Cylinder Ø (mm) | Weight (kg) | Air Consumption per double stroke at 5 bar (liter) |
|---------------|--------------------------|-------------------------------|-----------------|-------------|--|
| 82M-3E...80.. | 3000 | 850 | 80 | 8,7 | 6,3 |
| 82M-3E...8N.. | | | | 8,8 | |
| 82M-3E...8A.. | | | | | |
| 82M-3E...8B.. | | | | | |



Internal Hold Open Device
8A/8B Cylinder Option

ATTENTION: Calculation tool available. Please consult factory.

Center of Mass



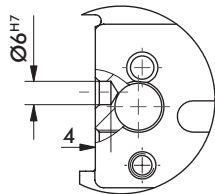
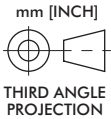
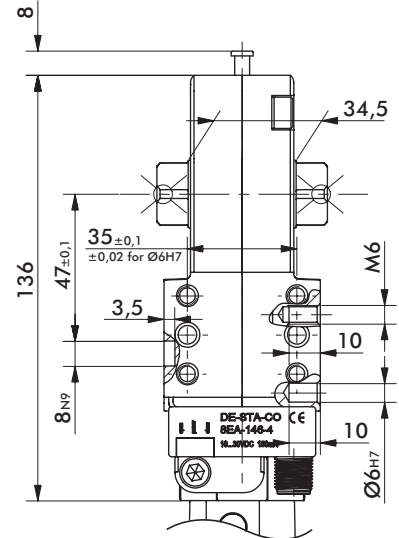
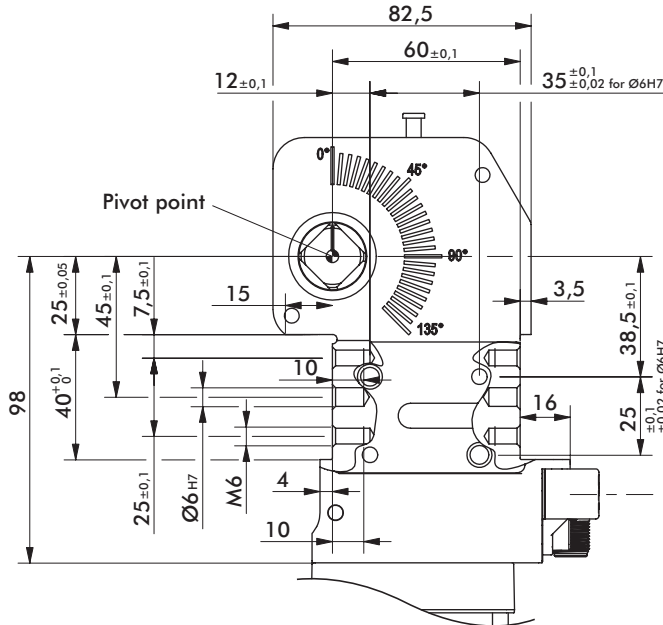
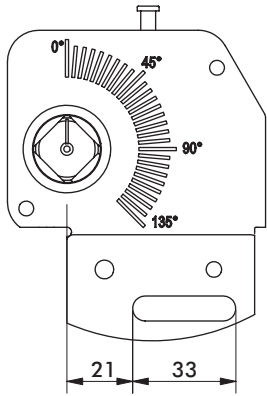
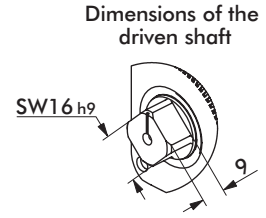
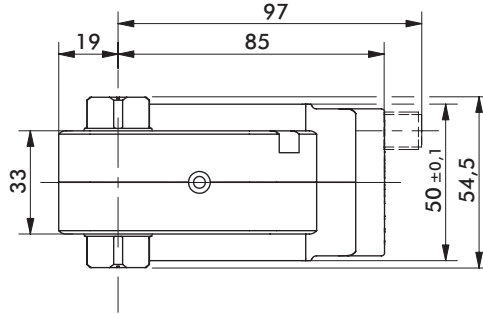
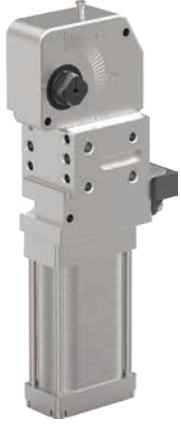
| Model | Without Handle | | | | Weight |
|---------------|----------------|------|--------|------|--------|
| | A | | B | | |
| | Closed | Open | Closed | Open | |
| 82M-3E...40.. | 23 | 24 | 55 | 69 | 1,5 |
| 82M-3N...40.. | | | 54 | 68 | |
| 82M-3B...40.. | 24 | 23 | 72 | 86 | 1,6 |
| 82M-3E...4A.. | 22 | | 85 | | |
| 82M-3B...4A.. | 23 | 25 | 70 | 87 | 2,8 |
| 82M-3E...50.. | 24 | | 83 | 99 | |
| 82M-3E...5N.. | 27 | 28 | 88 | 103 | 3,8 |
| 82M-3E...5A.. | | | 83 | 99 | |
| 82M-3E...5B.. | 27 | 28 | 98 | 114 | 3,9 |
| 82M-3...63.. | | | 88 | 103 | |
| 82M-3...6N.. | 27 | 28 | 98 | 114 | 3,9 |
| 82M-3...6A.. | | | 98 | 114 | |
| 82M-3...6B.. | 36 | 37 | 98 | 123 | 8,7 |
| 82M-3E...80.. | | | 98 | 123 | |
| 82M-3E...8N.. | 36 | 37 | 104 | 129 | 8,9 |
| 82M-3E...8A.. | | | 104 | 129 | |
| 82M-3E...8B.. | | | | | |

| Model | With Handle | | | | C | Weight |
|---------------|-------------|------|--------|------|---|--------|
| | A | | B | | | |
| | Closed | Open | Closed | Open | | |
| 82M-3E...40.. | 22 | 25 | 49 | 70 | 4 | 1,6 |
| 82M-3B...40.. | 24 | 27 | 46 | 67 | | |
| 82M-3E...50.. | 23 | 30 | 62 | 85 | 3 | 3,1 |
| 82M-3E...5N.. | 23 | 30 | 62 | 85 | | |
| 82M-3...63.. | 26 | 30 | 80 | 102 | 2 | 9,2 |
| 82M-3...6N.. | 26 | 30 | 80 | 102 | | |
| 82M-3E...80.. | 35 | 38 | 93 | 122 | | |
| 82M-3E...8N.. | | | | | | |

82M-3N13, 40MM

Enclosed Pneumatic Power Clamps | Heavy-Duty Modular | Dimensions

82M-3N13..40..



with Handle Option
82M-3N13H*40**

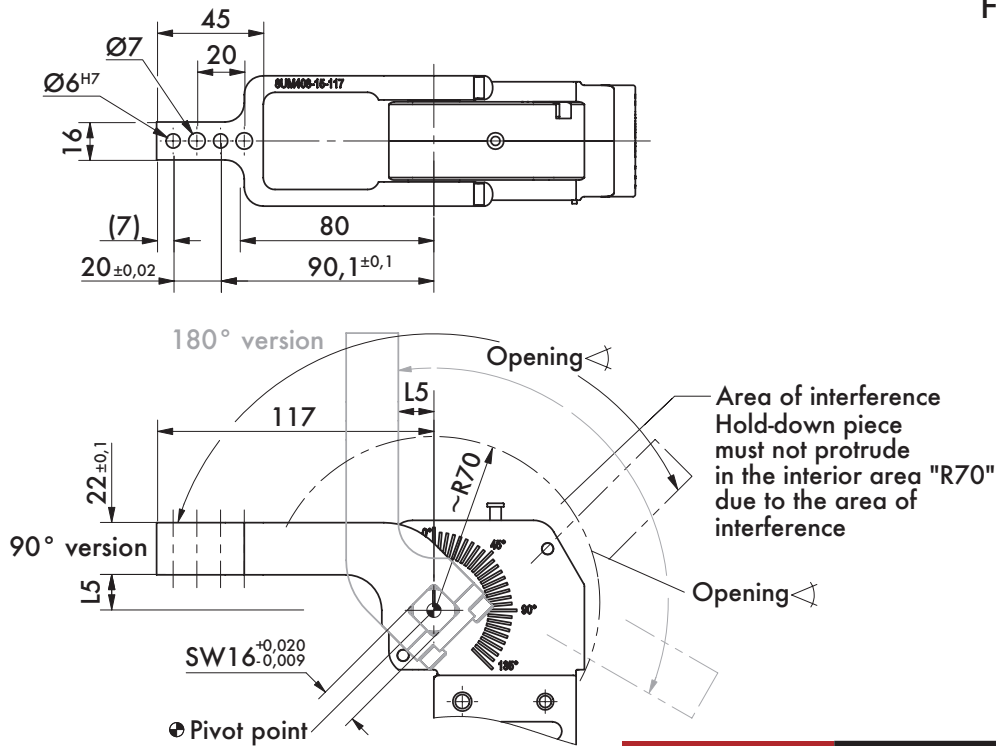
See page PC-PPC-40 for
cylinder options 40 and 4A.

Power by compressed air, max. 6 bar operation with oil-free air is permissible.
The connector socket and the cable are not supplied with the unit.

82M-3N13, 40MM ACCESSORIES

Enclosed Pneumatic Power Clamps | Heavy-Duty Modular | Dimensions and Technical Specifications

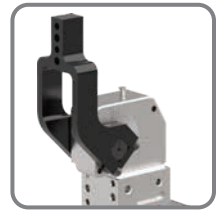
For Size 40mm NAAMS*
U-Arm (Steel)



90° Right



180° Right



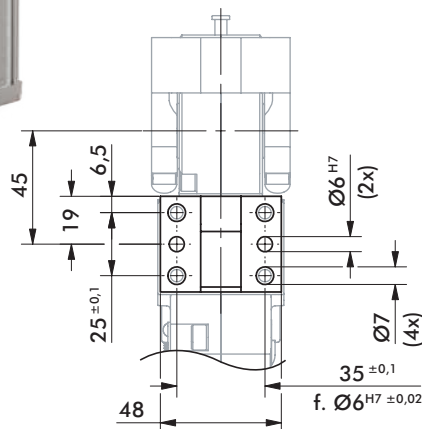
8UM408-00-117
8UM408-15-117
8UM408-25-117
8UM408-45-117

| Arm Model No. | Max. Opening 90° Version | Max. Opening 180° Version | Weight (kg) | L5 |
|---------------|--------------------------|---------------------------|-------------|----|
| 8UM408-00-117 | | 105° | 0,46 | 0 |
| 8UM408-15-117 | 135° | 120° | 0,51 | 15 |
| 8UM408-25-117 | | 135° | 0,52 | 25 |
| 8UM408-45-117 | 130° | | 0,58 | 45 |

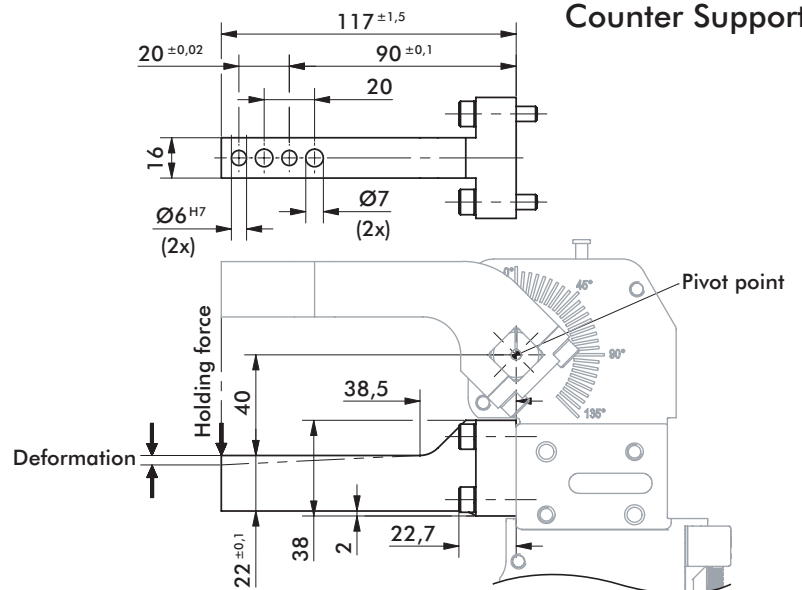
*Compatible with NAAMS Clamp Arm Shaft option 13 only.



View:
Counter support
without screws and pins



Counter Support



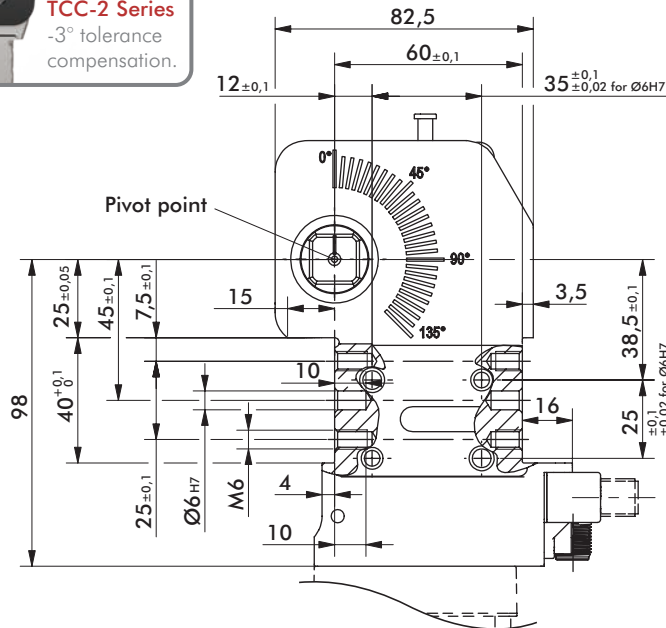
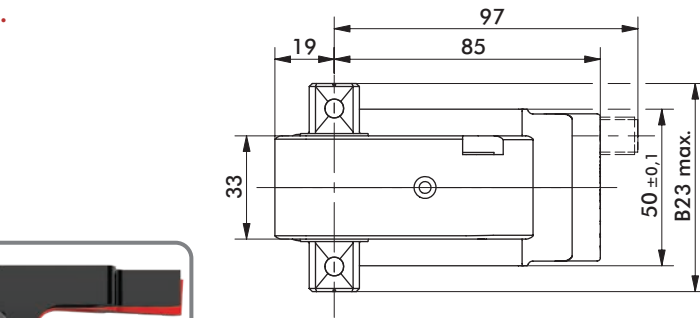
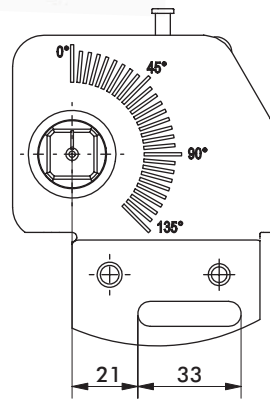
| Arm Model No. | Holding Force (N) | Deformation (mm) | Weight (kg) |
|---------------|-------------------|------------------|-------------|
| 82ZB-190-1 | 2000 | 0,4 | 0,22 |

For Handle and Anti-Ramming device Accessories see pages PC-PPC-47 & 48.

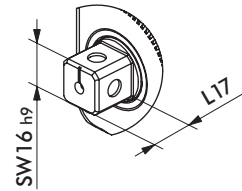
82M-3./TCC-2, 40MM

Enclosed Pneumatic Power Clamps | Heavy-Duty Modular | Dimensions

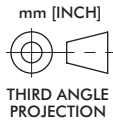
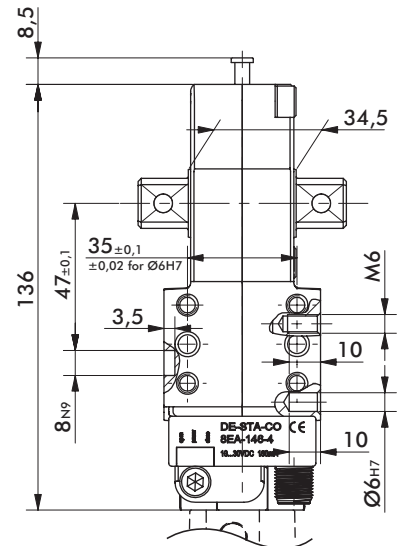
82M-3E/TCC-2E...4.



Dimensions of the driven shaft



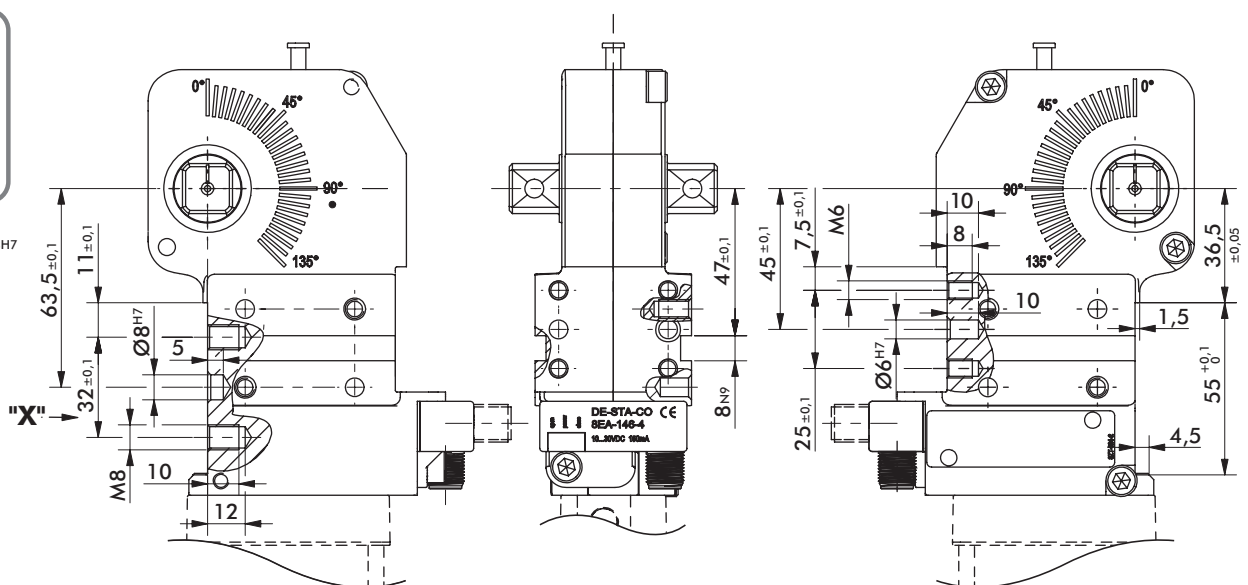
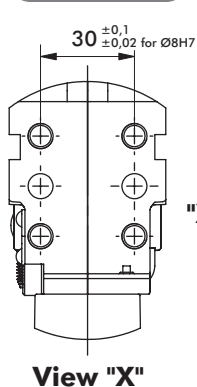
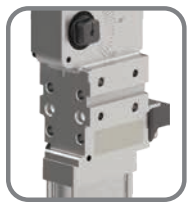
| Model | B23 Max. | L17 |
|-------------------------|----------|-----|
| 82M-3.03/TCC-2.03..4... | 54,5 | 9 |
| 82M-3.23/TCC-2.23..4... | 66,5 | 16 |



Power by compressed air, max. 6 bar operation with oil-free air is permissible. The connector socket and the cable are not supplied with the unit. Safe "holding/clamping" only under pressurization (for TCC models only).

82M-3B/TCC-2B...4.

Dimensions below for "B" mounting surfaces. See above for additional base unit dimensions.

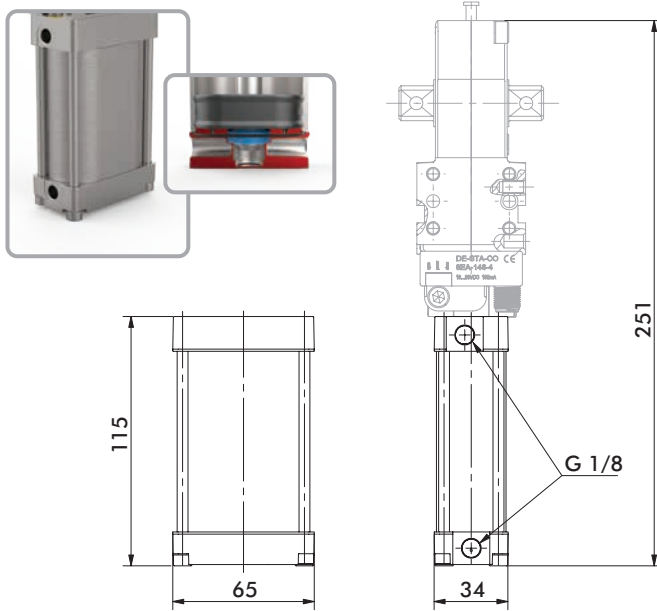


82M-3./TCC-2, 40MM

Enclosed Pneumatic Power Clamps | Heavy-Duty Modular | Cylinder Options Dimensions

82M-3/TCC-2.....40

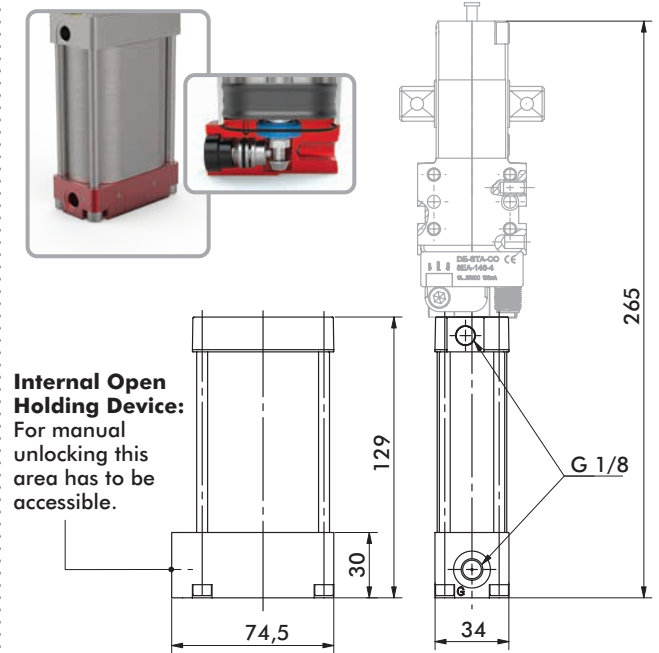
Standard Cylinder



82M-3/TCC-2.....4A

Cylinder with Internal Hold Open Device

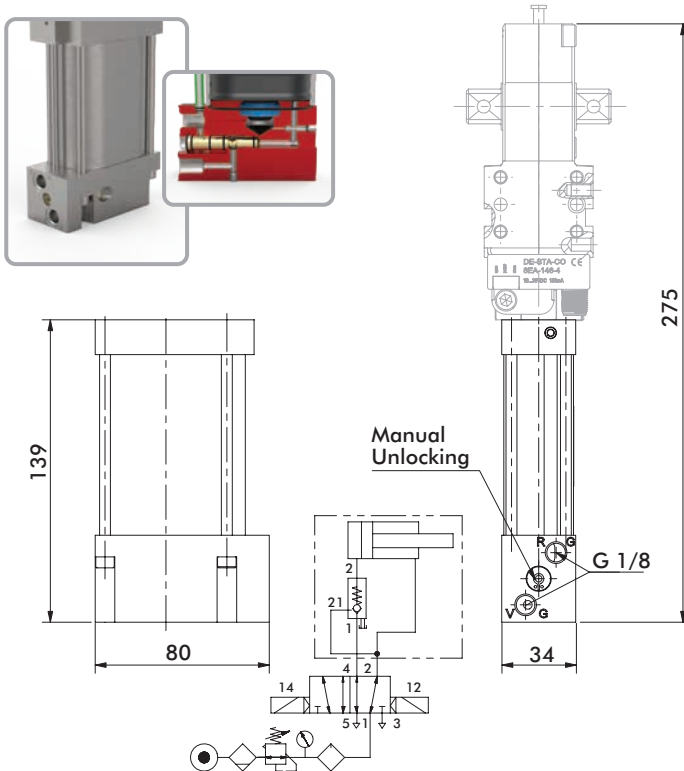
Securely holds clamp in the open position.



TCC-2.....4C

Cylinder with Unlock-able Return Valve

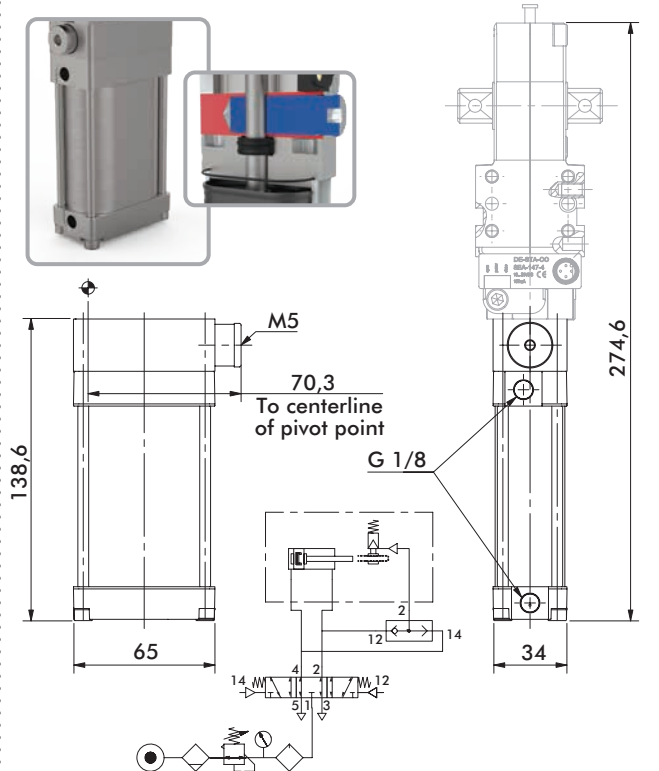
Pneumatically holds clamp arm in the closed position when air is released.



TCC-2.....4V

Cylinder with Rod Locking Device

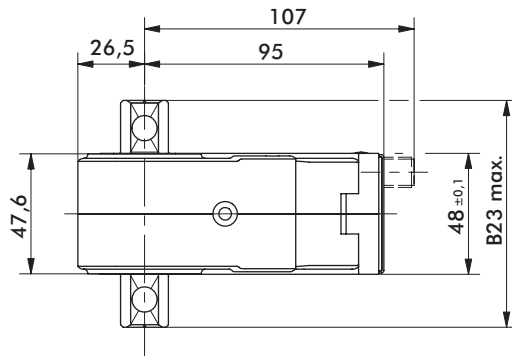
Uses friction to clamp rod at any point between open and closed positions.



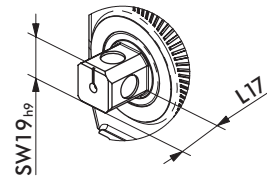
82M-3/TCC-2, 50MM

Enclosed Pneumatic Power Clamps | Heavy-Duty Modular | Dimensions

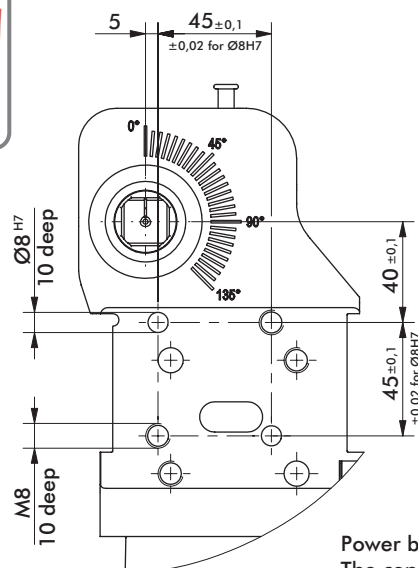
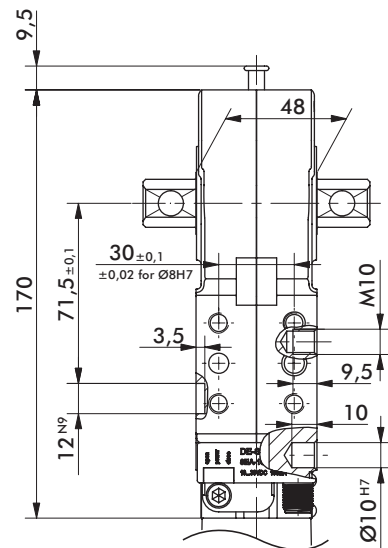
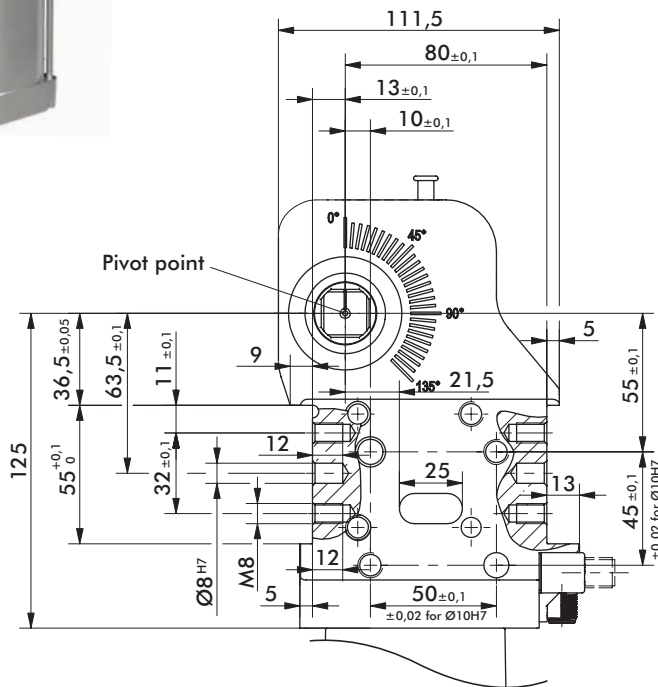
82M-3E/TCC-2E...5.



Dimensions of the driven shaft



| Model | B23 Max. | L17 |
|-------------------------|-------------|-----|
| 82M-3E03/TCC-2E03..5... | 72 | 12 |
| 82M-3E23/TCC-2E23..5... | 90 | 21 |



mm [INCH]



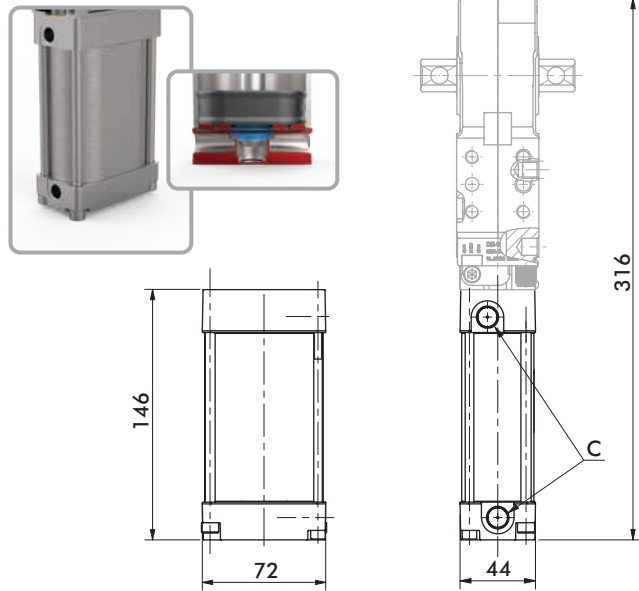
Power by compressed air, max. 6 bar operation with oil-free air is permissible. The connector socket and the cable are not supplied with the unit. Safe "holding/clamping" only under pressurization (for TCC models only).

82M-3/TCC-2, 50MM

Enclosed Pneumatic Power Clamps | Heavy-Duty Modular | Cylinder Options Dimension

82M-3E/TCC-2E...50/5N

Standard Cylinder



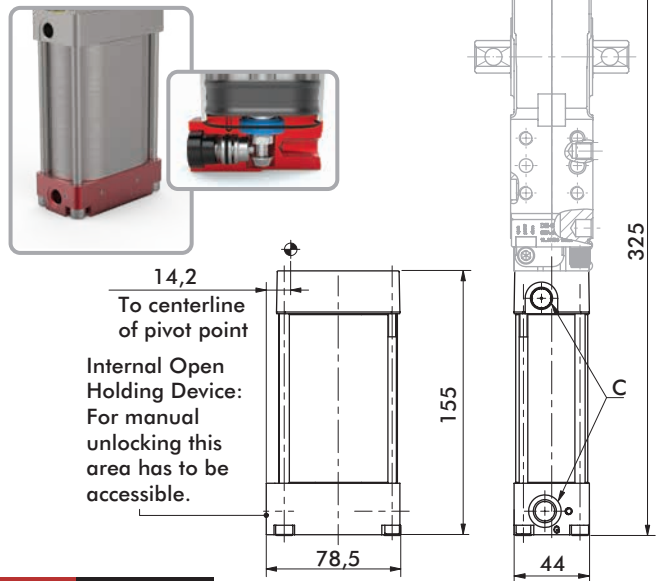
| Ports | C |
|-------|------------|
| 50 | G1/4 |
| 5N | 1/4-18 NPT |

Important! For optimal cushioning, external pneumatic one-way flow control valves should be used.

82M-3E/TCC-2E...5A/5B

Cylinder with Internal Hold Open Device

Securely holds clamp in the open position.



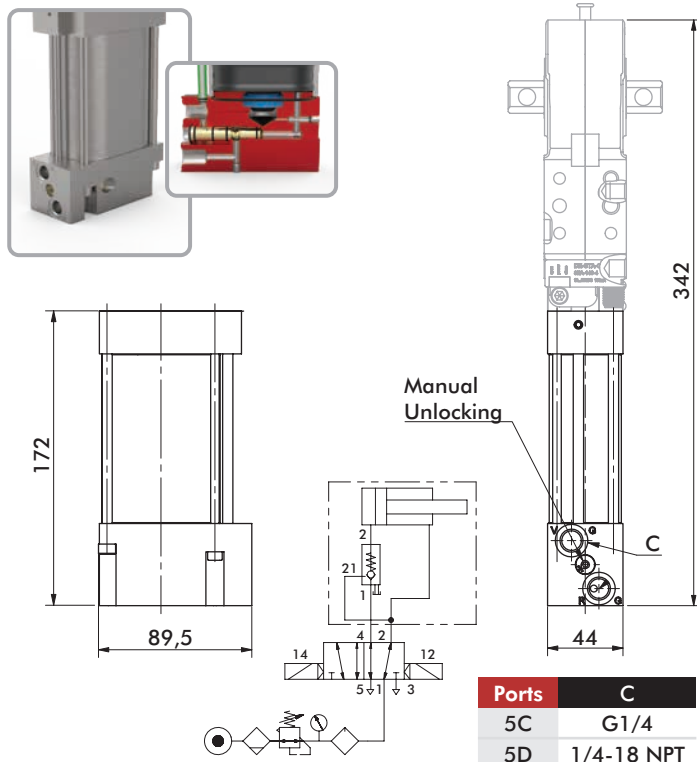
| Ports | C |
|-------|------------|
| 5A | G1/4 |
| 5B | 1/4-18 NPT |

Important! For optimal cushioning, external pneumatic one-way flow control valves should be used.

TCC-2E...5C/5D

Cylinder with Unlock-able Return Valve

Pneumatically holds clamp arm in the closed position when air is released.

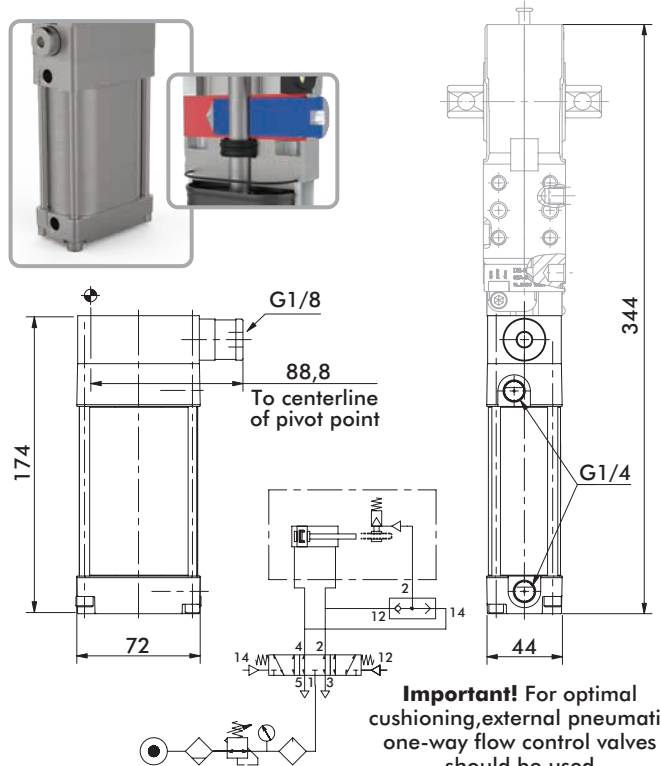


| Ports | C |
|-------|------------|
| 5C | G1/4 |
| 5D | 1/4-18 NPT |

TCC-2E...5V

Cylinder with Rod Locking Device

Uses friction to clamp rod at any point between open and closed positions.

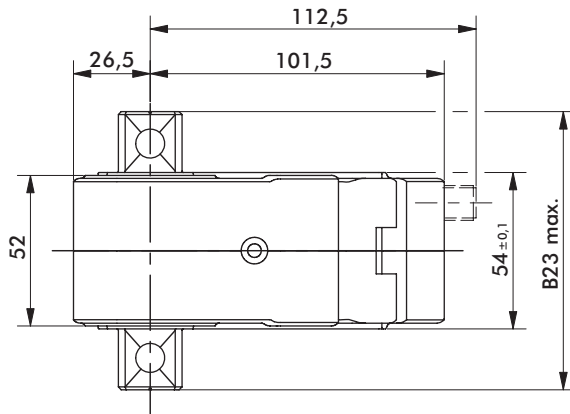


Important! For optimal cushioning, external pneumatic one-way flow control valves should be used.

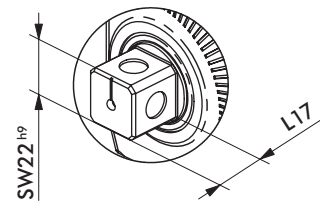
82M-3./TCC-2, 63MM

Enclosed Pneumatic Power Clamps | Heavy-Duty Modular | Dimensions

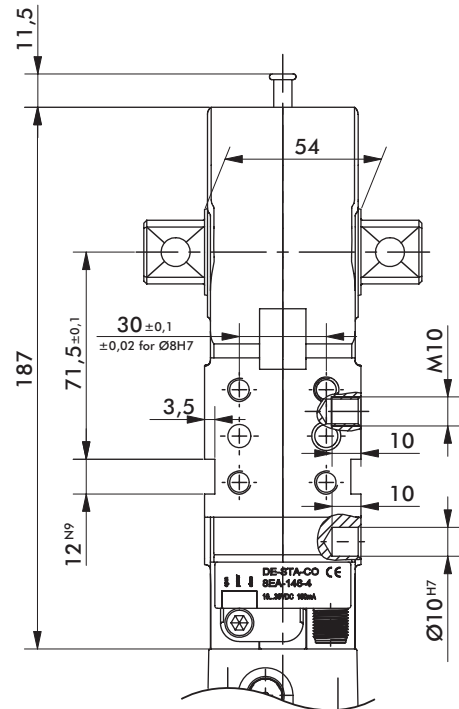
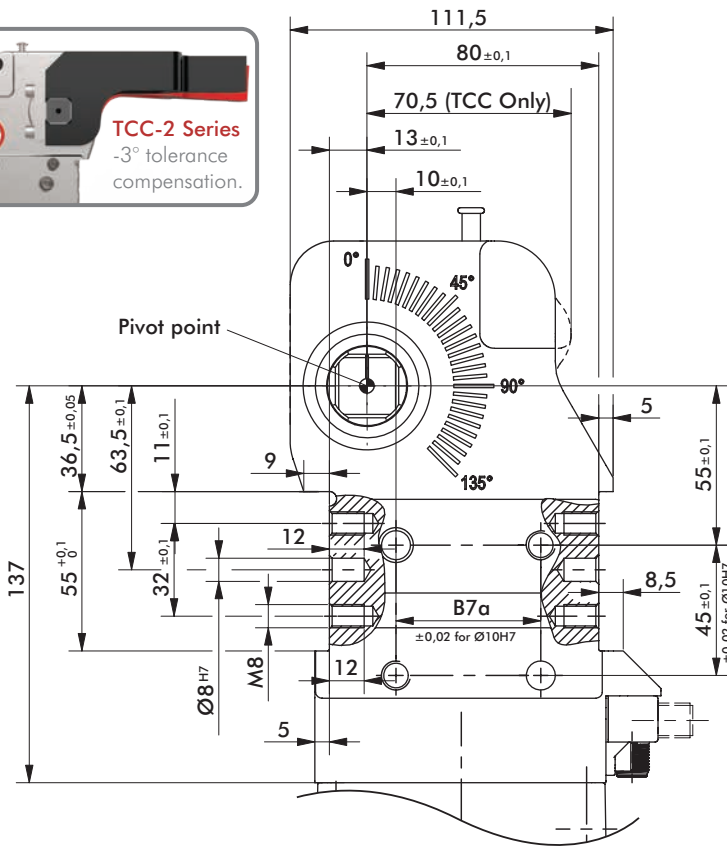
82M-3/TCC-2.....6.



Dimensions of the driven shaft



| Model | B7a ±0,1 | B23 Max. | L17 |
|-------------------------|-------------|-------------|-----|
| 82M-3E03/TCC-2E03..6... | 50 | 78 | 12 |
| 82M-3N03/TCC-2N03..6... | 55 | 78 | 12 |
| 82M-3E23/TCC-2E23..6... | 50 | 96 | 21 |
| 82M-3N23/TCC-2N23..6... | 55 | 96 | 21 |
| 82M-3ND0..6... | 55 | 106 | 26 |



mm [INCH]
THIRD ANGLE PROJECTION

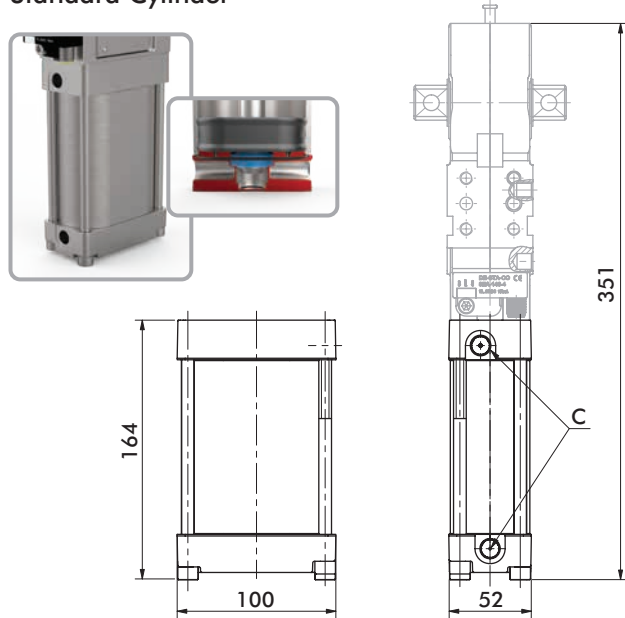
Power by compressed air, max. 6 bar operation with oil-free air is permissible. The connector socket and the cable are not supplied with the unit. Safe "holding/clamping" only under pressurization (for TCC models only).

82M-3./TCC-2, 63MM

Enclosed Pneumatic Power Clamps | Heavy-Duty Modular | Cylinder Options Dimension

82M-3/TCC-2.....63/6N

Standard Cylinder



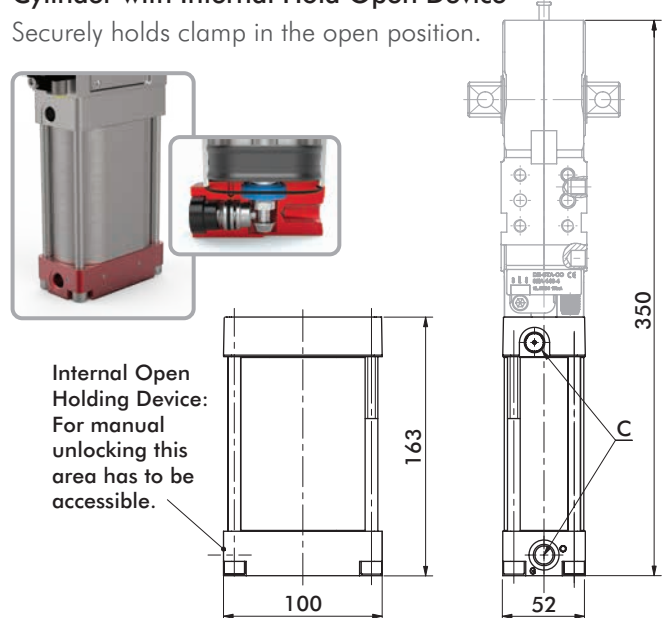
| Ports | C |
|-------|------------|
| 63 | G1/4 |
| 6N | 1/4-18 NPT |

Important! For optimal cushioning, external pneumatic one-way flow control valves should be used.

82M-3/TCC-2.....6A/6B

Cylinder with Internal Hold Open Device

Securely holds clamp in the open position.



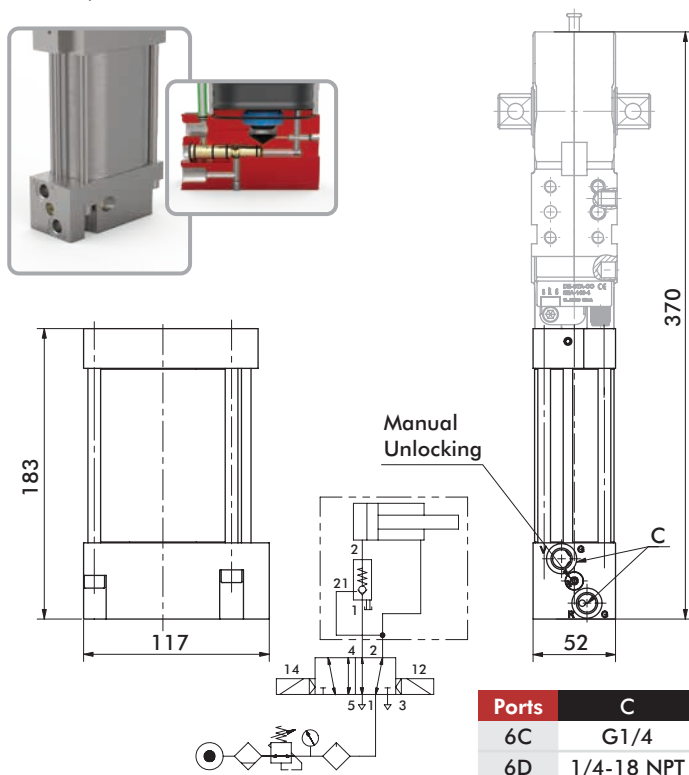
| Ports | C |
|-------|------------|
| 6A | G1/4 |
| 6B | 1/4-18 NPT |

Important! For optimal cushioning, external pneumatic one-way flow control valves should be used.

TCC-2.....6C/6D

Cylinder with Unlock-able Return Valve

Pneumatically holds clamp arm in the closed position when air is released.

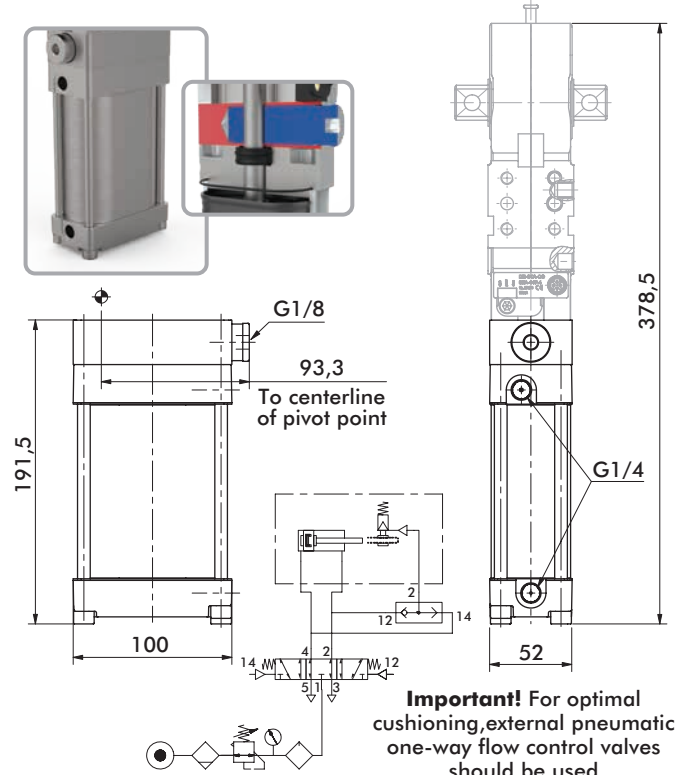


| Ports | C |
|-------|------------|
| 6C | G1/4 |
| 6D | 1/4-18 NPT |

TCC-2.....6V

Cylinder with Rod Locking Device

Uses friction to clamp rod at any point between open and closed positions.

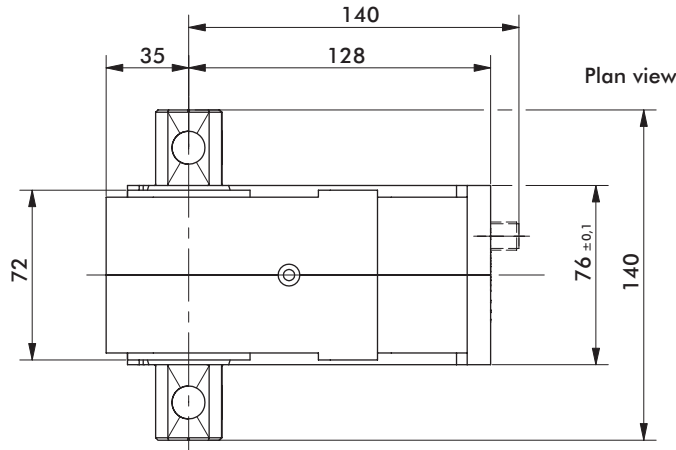


Important! For optimal cushioning, external pneumatic one-way flow control valves should be used.

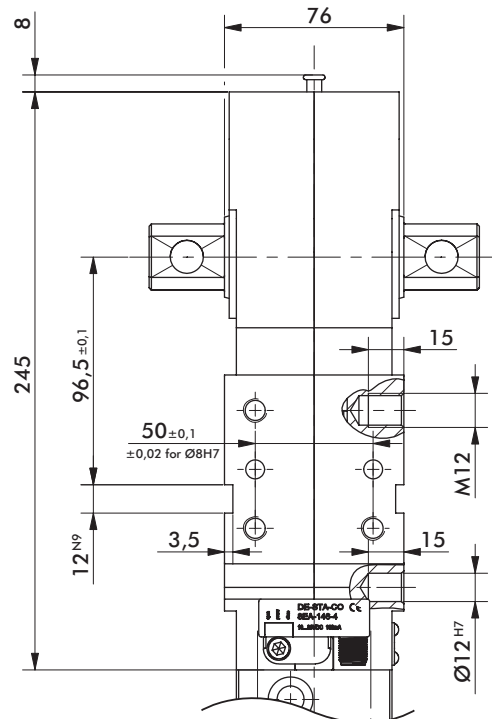
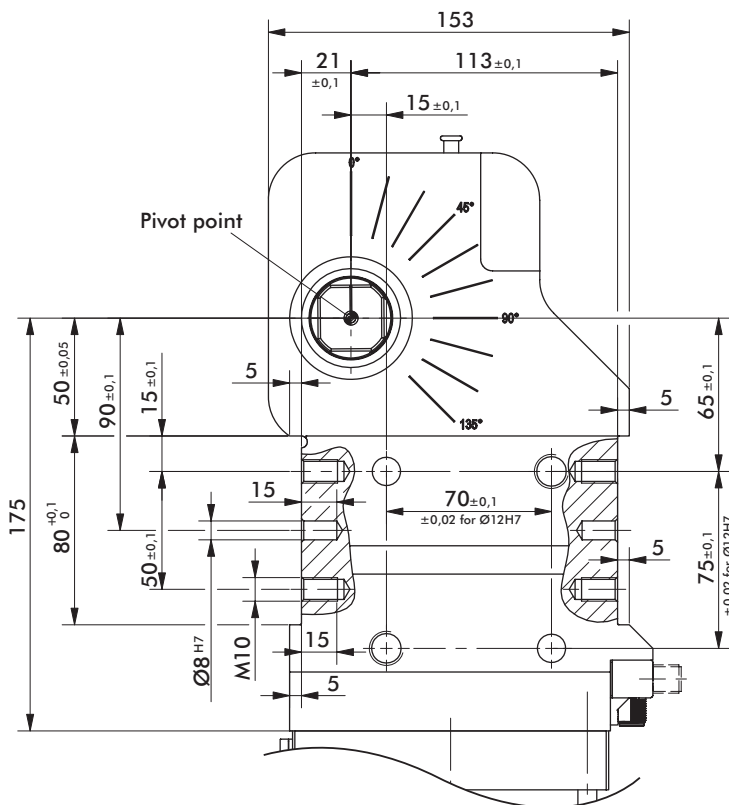
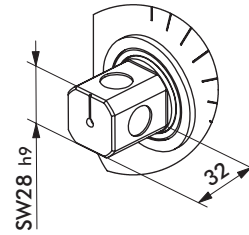
82M-3., 80MM

Enclosed Pneumatic Power Clamps | Heavy-Duty Modular | Dimensions

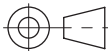
82M-3E....8.



Dimensions of the driven shaft



mm [INCH]



THIRD ANGLE PROJECTION

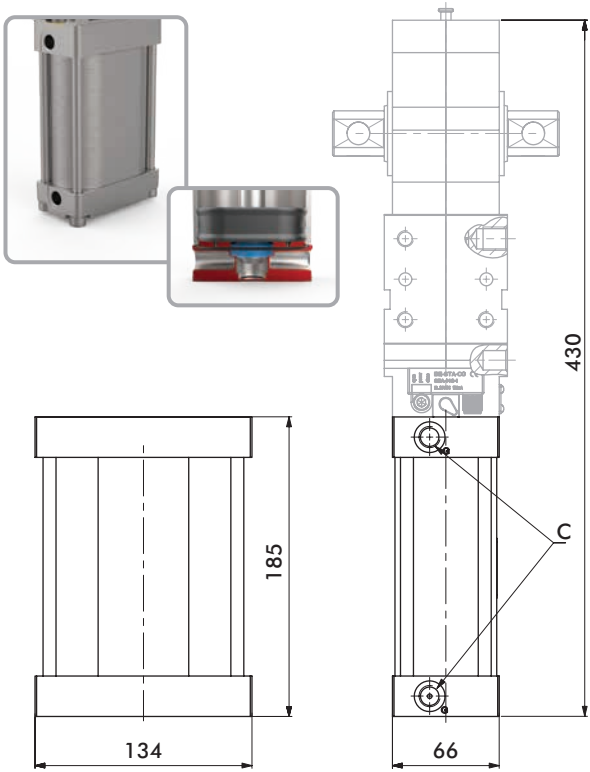
Power by compressed air, max. 6 bar operation with oil-free air is permissible. The connector socket and the cable are not supplied with the unit.

82M-3., 80MM

Enclosed Pneumatic Power Clamps | Heavy-Duty Modular | Cylinder Options Dimension

82M-3E...80/8N

Standard Cylinder



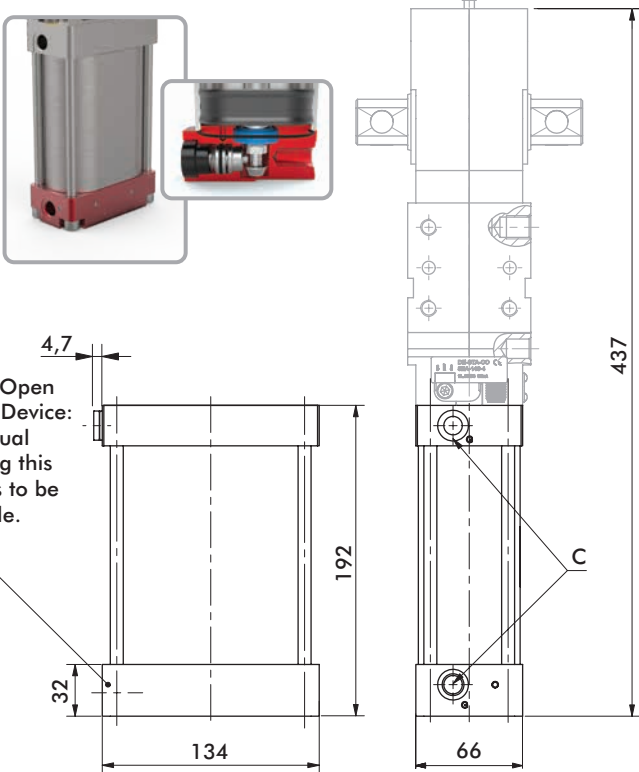
| Ports | C |
|-------|------------|
| 80 | G1/4 |
| 8N | 1/4-18 NPT |

Important! For optimal cushioning, external pneumatic one-way flow control valves should be used.

82M-3E...8A/8B

Cylinder with Internal Hold Open Device

Securely holds clamp in the open position.



| Ports | C |
|-------|------------|
| 8A | G1/4 |
| 8B | 1/4-18 NPT |

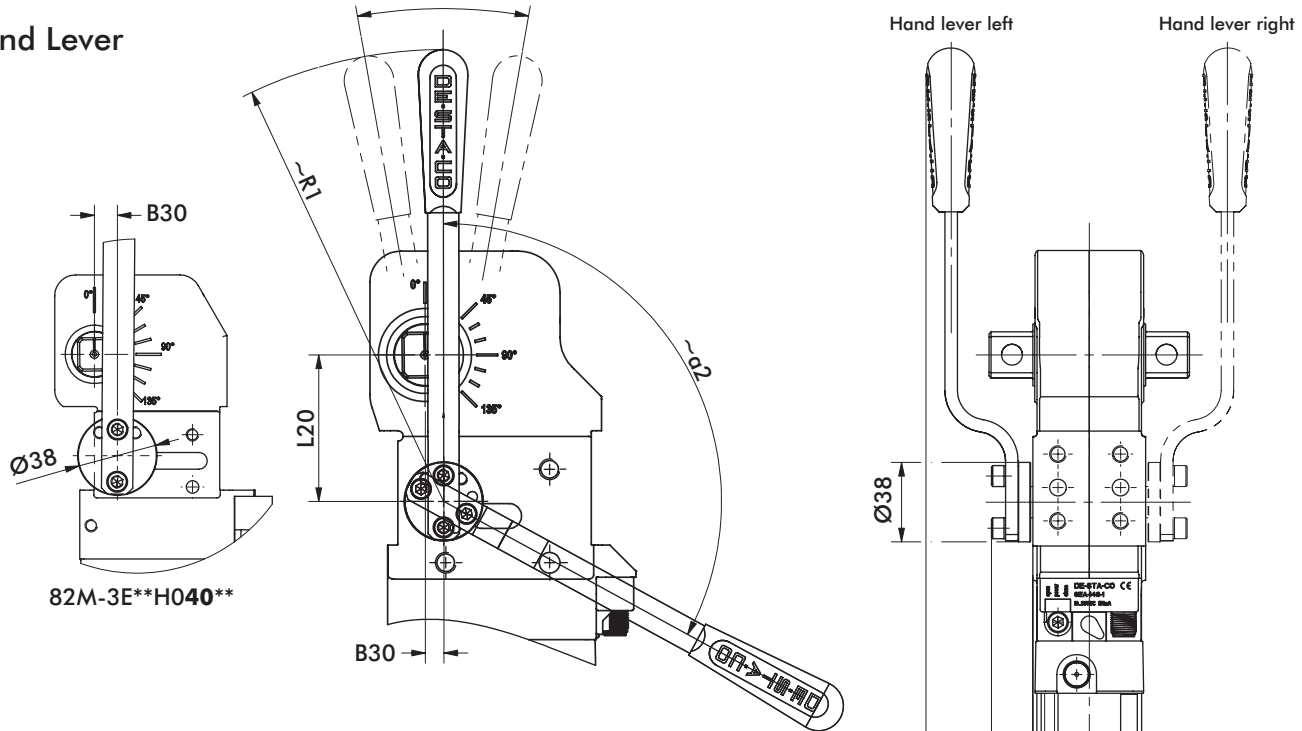
Important! For optimal cushioning, external pneumatic one-way flow control valves should be used.

Internal Open Holding Device:
For manual unlocking this area has to be accessible.

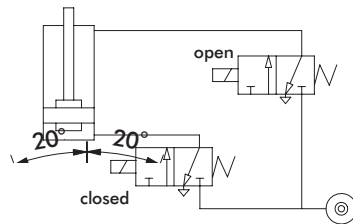
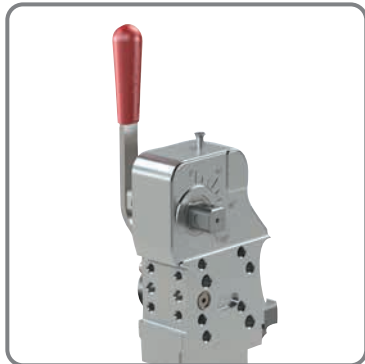
82M-3. ACCESSORIES

Enclosed Pneumatic Power Clamps | Heavy-Duty Modular | Dimensions and Technical Specifications

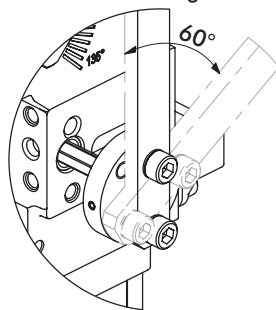
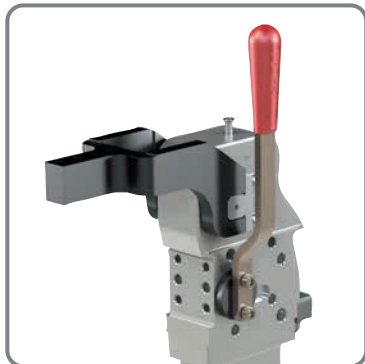
Hand Lever



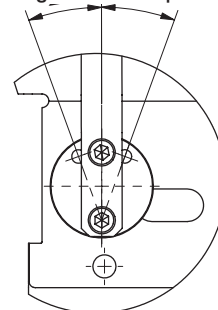
82M-3E**H040**



Note: Hand lever is supplied unassembled. Allows for easy, custom left hand or right hand mounting for desired position.



Mounting of the hand lever: rotatable in 60° increments.



Hand lever can be mounted in 3 positions.

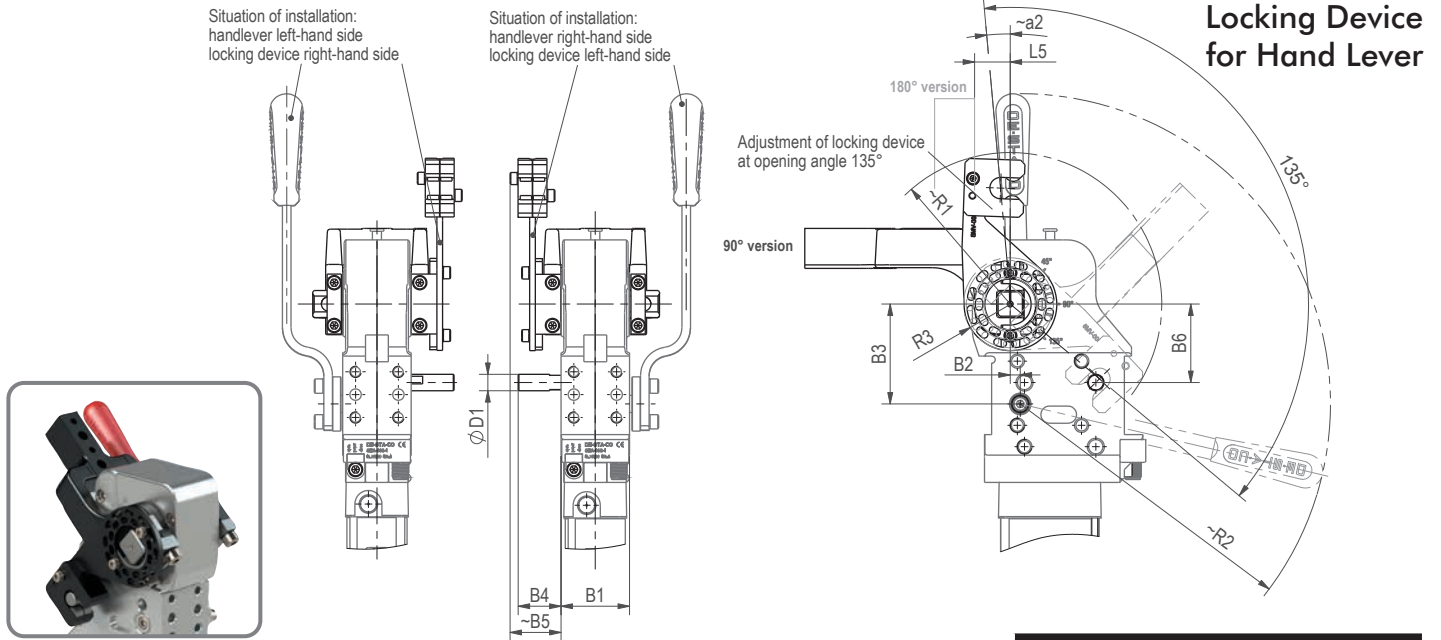


Hand lever position is adjustable to ± 20 degrees for improved ergonomics.

| Model No. | B21 | B28 | L20 | ~R1 | Swivel Angle $\alpha 2$ (with reference to opening angle of clamp arm) | | | | | | | | | |
|----------------|-----|-----|------|-----|---|-----|-----|-----|-----|-----|-----|------|------|------|
| | | | | | 0° | 15° | 30° | 45° | 60° | 75° | 90° | 105° | 120° | 135° |
| 82M-3...H040.. | 27 | 24 | 48,5 | 160 | 0° | 31° | 41° | 49° | 58° | 69° | 88° | 113° | 134° | 144° |
| 82M-3...H05... | 52 | 20 | 70 | 218 | -1° | 30° | 39° | 46° | 53° | 61° | 70° | 81° | 92° | 103° |
| 82M-3...H06.. | 52 | 20 | 70,5 | 218 | 0° | 30° | 39° | 47° | 56° | 66° | 79° | 94° | 108° | 119° |
| 82M-3...H08.. | 56 | 24 | 82 | 268 | -1° | 28° | 37° | 45° | 53° | 63° | 75° | 92° | 107° | 117° |

82M-3. ACCESSORIES

Enclosed Pneumatic Power Clamps | Heavy-Duty Modular | Dimensions and Technical Specifications

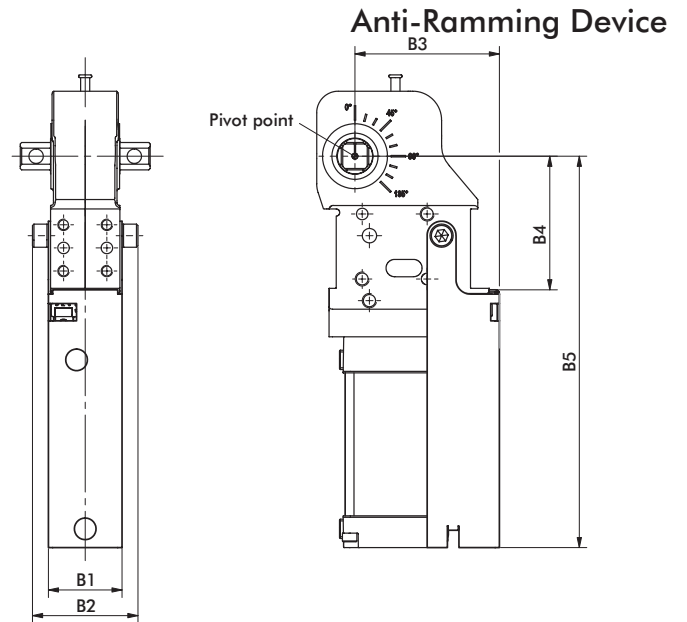


| Order No. | For Model | B1 | B2 | B3 | B4 | B5 | B6 | ØD1 | R1 | R2 | R3 | α2 | Limited Setting Options | | | | | |
|------------|-----------------|----|----|------|----|----|------|------|-----|-----|------|----|-------------------------------------|------|------|--------------|------|------|
| | | | | | | | | | | | | | Height of the clamping arm: L5 max. | | | | | |
| | | | | | | | | | | | | | 90° version | | | 180° version | | |
| 82ZB-162-1 | 82M-3...H040..* | 50 | 11 | 48,5 | 25 | 31 | 38,5 | 10,5 | 81 | 160 | 27 | 6 | 120° | - | 105° | 120° | 120° | 120° |
| 82ZB-084-1 | 82M-3...H05... | 48 | 7 | 70 | 30 | 36 | 55 | 11,5 | 107 | 218 | 32,5 | 6 | 120° | - | - | 105° | 120° | - |
| 82ZB-039-1 | 82M-3...H06... | 54 | 9 | 70,5 | 30 | 36 | 55 | 11,5 | 107 | 210 | 32,5 | 6 | 110° | 105° | - | 105° | 120° | - |

*Not compatible with Size 40 Option N NAAMS Side Mounting.

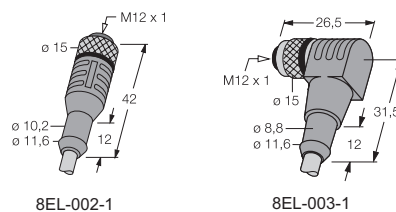


Anti-ramming device is only available for standard cylinder with 82M-3...00..00 and 82M-3...00..L8



| Order No. | For Model | B1 | B2 | B3 | B4 | B5 |
|-----------|----------------|----|-------|------|-------|-------|
| 8AB-151-1 | 82M-3.....40.. | 53 | 66,5 | 89,5 | 65,5 | 210,5 |
| 8AB-152-1 | 82M-3.....5... | 51 | 73 | 100 | 92,5 | 271 |
| 8AB-153-1 | 82M-3.....6... | 57 | 79 | 120 | 104,5 | 296 |
| 8AB-154-1 | 82M-3.....8... | 79 | 105,5 | 148 | 142,5 | 360 |

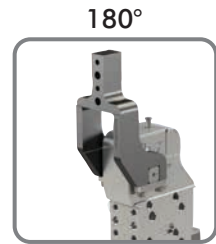
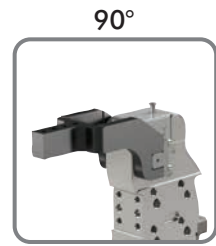
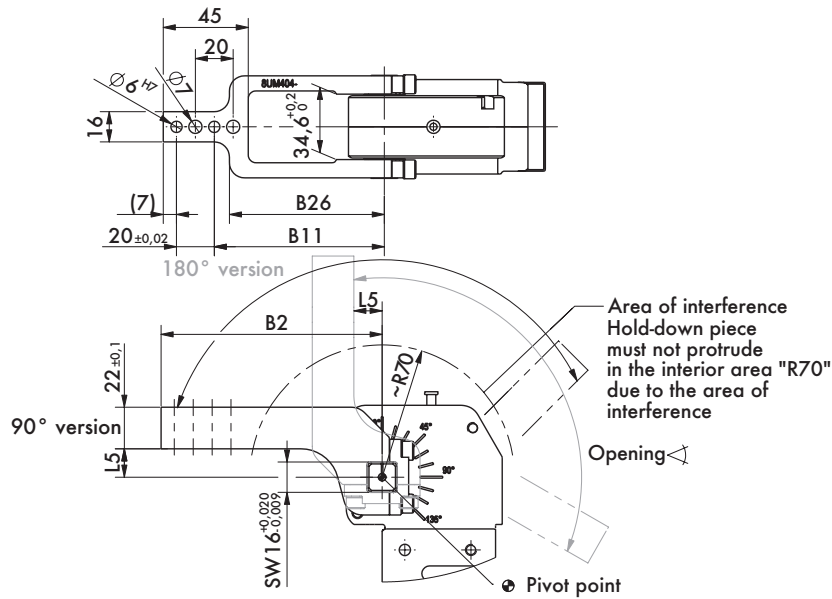
| Order No. | Description |
|-----------|--|
| 8EL-002-1 | M12x1, Straight, 5-pin Connector with 5m Cable |
| 8EL-003-1 | M12x1, Angular, 4-pin Connector with 5m Cable |



U-ARMS CENTER (ALUMINUM)

Enclosed Pneumatic Power Clamps | Heavy-Duty Modular | Dimensions and Technical Specifications

For Size 40mm*

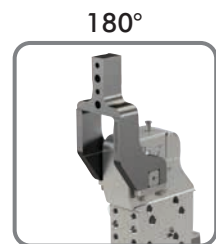
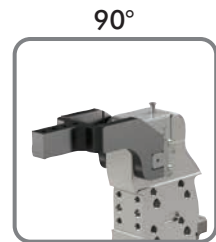
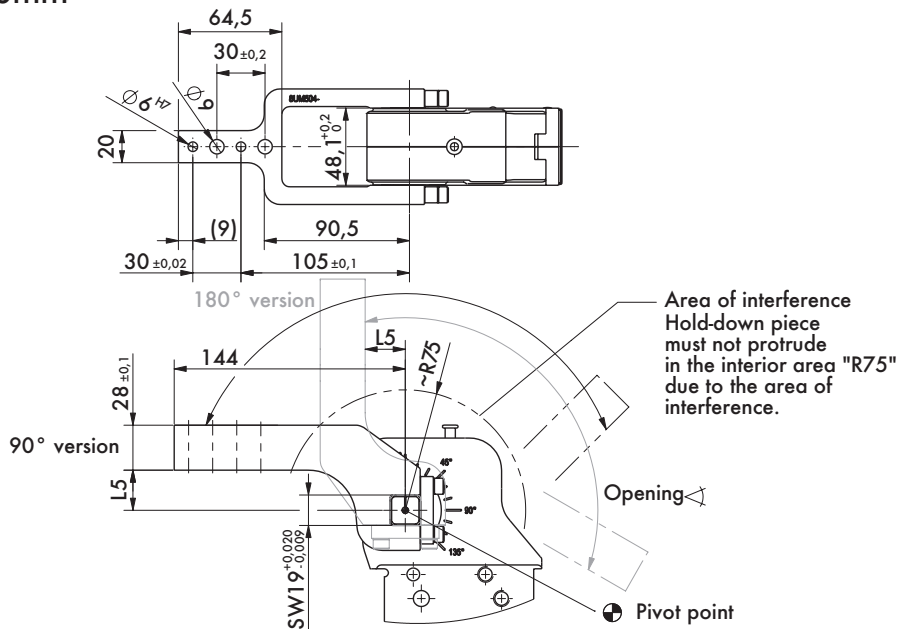


8UM404-00-117
8UM404-15-117
8UM404-25-117
8UM404-45-107

| Arm Model No. | Max. Opening 90° Version | Max. Opening 180° Version | Weight (kg) | B2 | B11 ±0,1 | B26 | L5 |
|---------------|--------------------------|---------------------------|-------------|-----|----------|-----|----|
| 8UM404-00-117 | 135° | 105° | 0,23 | 117 | 90 | 82 | 0 |
| 8UM404-15-117 | | 120° | 0,24 | | | | 15 |
| 8UM404-25-117 | 130° | 135° | 0,25 | 107 | 80 | 72 | 25 |
| 8UM404-45-107 | | | 0,24 | | | | 45 |

*Not compatible with NAAMS Clamp Arm Shaft option 13. See page PC-PPC-38.

For Size 50mm



8UM504-15-144
8UM504-25-144
8UM504-45-144

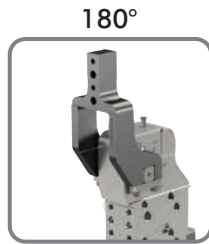
| Arm Model No. | Max. Opening 90° Version | Max. Opening 180° Version | Weight (kg) | L5 |
|---------------|--------------------------|---------------------------|-------------|----|
| 8UM504-15-144 | 135° | 105° | 0,44 | 15 |
| 8UM504-25-144 | | 120° | 0,45 | 25 |
| 8UM504-45-144 | 135° | 135° | 0,48 | 45 |

U-ARMS CENTER (ALUMINUM)

Enclosed Pneumatic Power Clamps | Heavy-Duty Modular | Dimensions and Technical Specifications

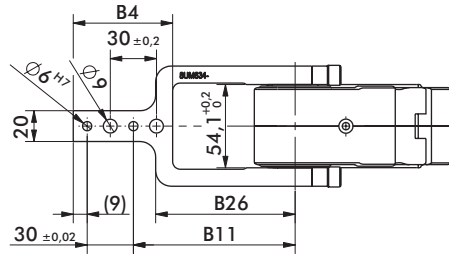


90°

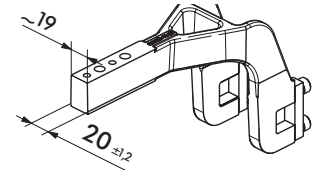


180°

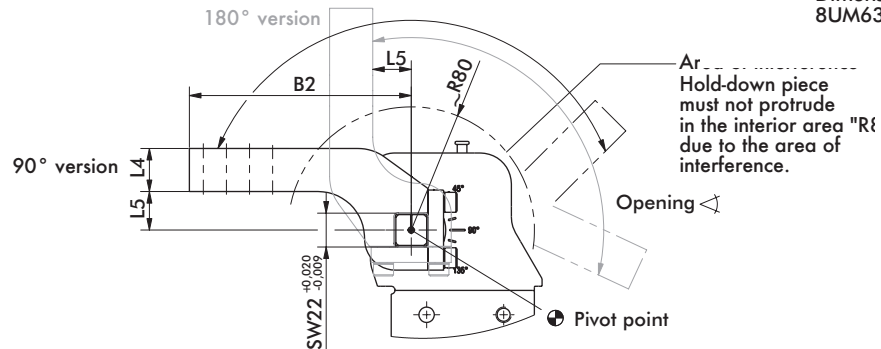
8UM634-15-144
8UM634-25-144
8UM634-45-144
8UM631-75-204*



For Size 63mm

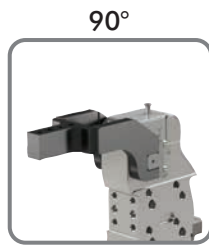


Dimensions are only for 8UM631-75-204

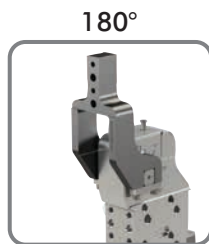


| Arm Model No. | Max. Opening 90° Version | Max. Opening 180° Version | Weight (kg) | B2 | B4 | B11 ±0,1 | B26 | L4 ±0,1 | L5 |
|----------------|--------------------------|---------------------------|-------------|-----|------|----------|------|---------|----|
| 8UM634-15-144 | 135° | 105° | 0,50 | | | | | | 15 |
| 8UM634-25-144 | | 120° | 0,53 | 144 | 64,5 | 105 | 90,5 | 28 | 25 |
| 8UM634-45-144 | | 135° | 0,56 | | | | | | 45 |
| 8UM631-75-204* | | 1,7 | 204 | 82 | 165 | 107 | 30 | 75 | |

*only steel version available.

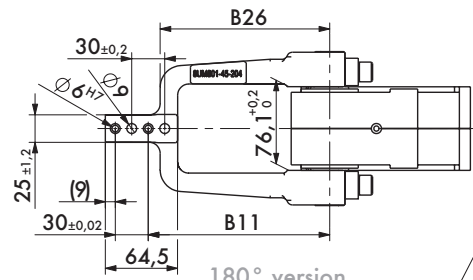


90°

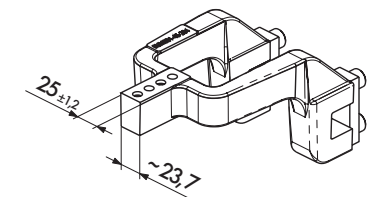
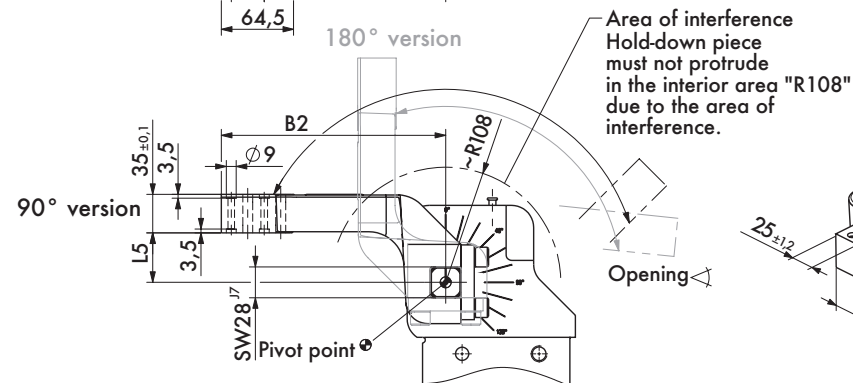


180°

8JG-169-2-01*
8UM801-45-204*



For Size 80mm



| Arm Model No. | Max. Opening 90° Version | Max. Opening 180° Version | Weight (kg) | B2 | B11 ±0,1 | B26 | L5** ±0,2 |
|----------------|--------------------------|---------------------------|-------------|-----|----------|-----|-----------|
| 8JG-169-2-01* | 135° | 105° | 3,5 | 179 | 140 | 129 | 20 |
| 8UM801-45-204* | | 135° | 4,1 | 204 | 165 | 154 | 45 |

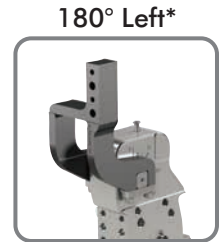
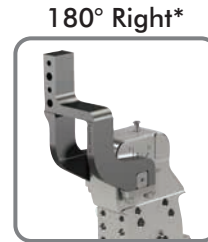
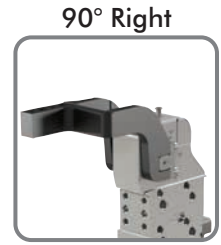
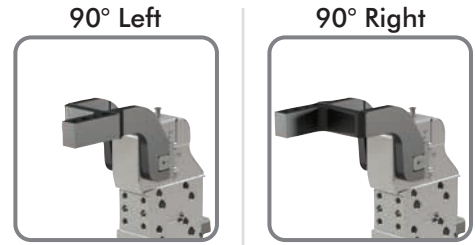
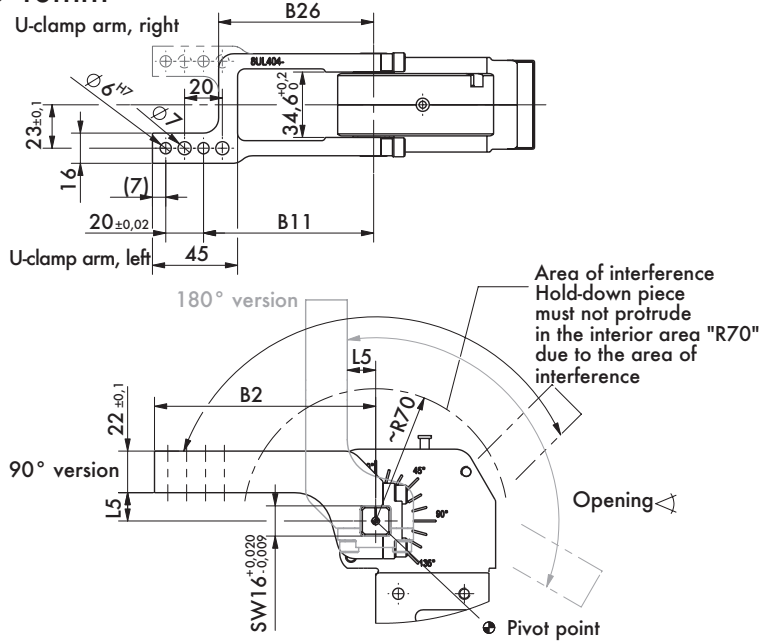
*only steel version available.

** Tolerance measured 80mm from pivot point.

U-ARMS OFFSET (ALUMINUM)

Enclosed Pneumatic Power Clamps | Heavy-Duty Modular | Dimensions and Technical Specifications

For Size 40mm*



8UL404-00-117
8UL404-15-117
8UL404-25-117
8UL404-45-107

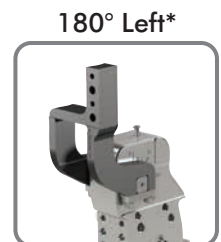
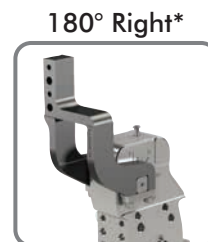
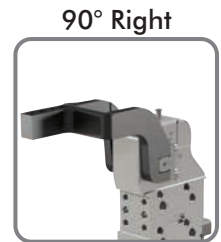
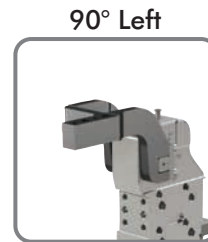
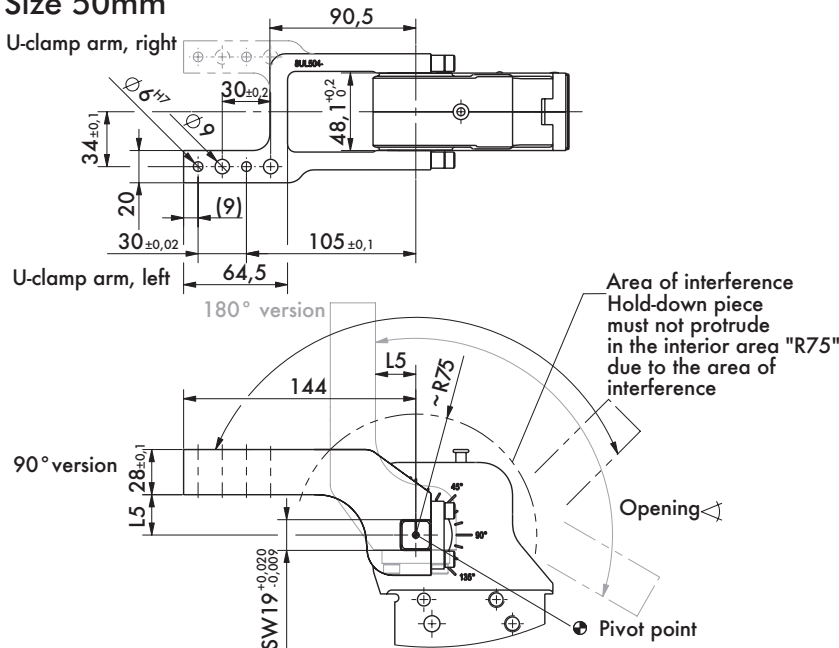
8UR404-00-117
8UR404-15-117
8UR404-25-117
8UR404-45-107

*90° left/180° right uses same clamp arm.
90° right/180° left uses same clamp arm.

| Arm Model No. | Max. Opening 90° Version | Max. Opening 180° Version | Weight (kg) | B2 | B11 ±0,1 | B26 | L5 |
|-----------------|--------------------------|---------------------------|-------------|-----|----------|-----|----|
| 8U(•)404-00-117 | | 105° | 0,23 | | | | 0 |
| 8U(•)404-15-117 | 135° | 120° | 0,24 | 117 | 90 | 82 | 15 |
| 8U(•)404-25-117 | | 135° | 0,25 | | | | 25 |
| 8U(•)404-45-107 | | | 0,25 | 107 | 80 | 72 | 45 |

*Not compatible with NAAMS Clamp Arm Shaft option 13.

For Size 50mm



8UL504-15-144
8UL504-25-144
8UL504-45-144

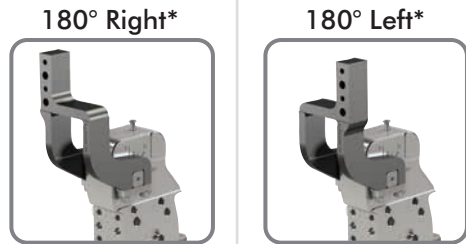
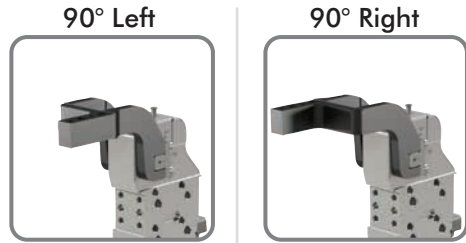
8UR504-15-144
8UR504-25-144
8UR504-45-144

*90° left/180° right uses same clamp arm.
90° right/180° left uses same clamp arm.

| Arm Model No. | Max. Opening 90° Version | Max. Opening 180° Version | Weight (kg) | L5 |
|-----------------|--------------------------|---------------------------|-------------|----|
| 8U(•)504-15-144 | | 105° | 0,45 | 15 |
| 8U(•)504-25-144 | 135° | 120° | 0,46 | 25 |
| 8U(•)504-45-144 | | 135° | 0,49 | 45 |

U-ARMS OFFSET (ALUMINUM)

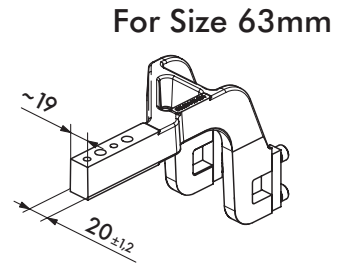
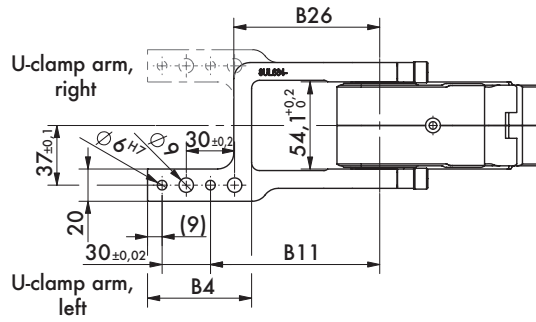
Enclosed Pneumatic Power Clamps | Heavy-Duty Modular | Dimensions and Technical Specifications



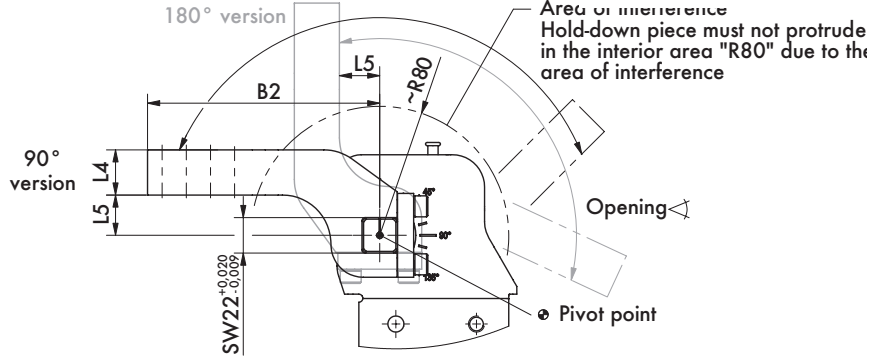
8UL634-15-144
8UL634-25-144
8UL634-45-144
8UL631-75-204**

8UR634-15-144
8UR634-25-144
8UR634-45-144
8UR631-75-204**

*90° left/180° right uses same clamp arm.
90° right/180° left uses same clamp arm.

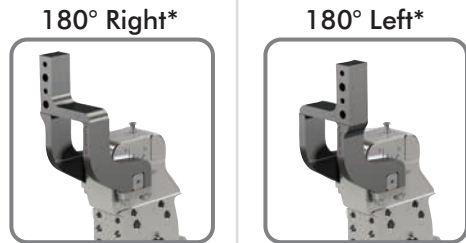
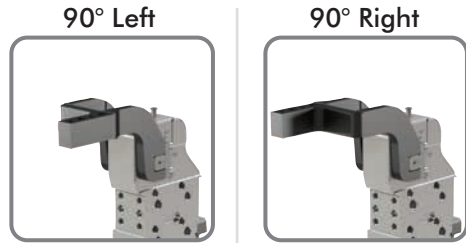


For Size 63mm
Dimensions are only for 8U(.)631-75-204



| Arm Model No. | Max. Opening 90° Version | Max. Opening 180° Version | Weight (kg) | B2 | B4 | B11 ±0,1 | B26 | L4 ±0,1 | L5 | |
|-------------------|--------------------------|---------------------------|-------------|------|------|----------|------|---------|----|----|
| 8U(.)634-15-144 | 135° | 105° | 0,52 | 144 | 64,5 | 105 | 90,5 | 28 | 15 | |
| 8U(.)634-25-144 | | 120° | 0,54 | | | | | | 25 | |
| 8U(.)634-45-144 | | 135° | 135° | 0,58 | 204 | 82 | 165 | 119 | 30 | 45 |
| 8U(.)631-75-204** | | | 1,9 | 75 | | | | | | |

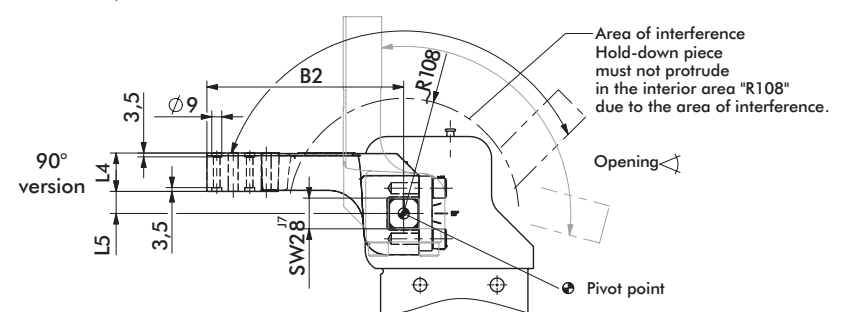
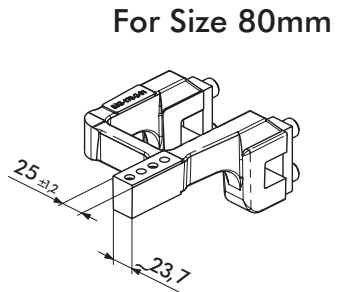
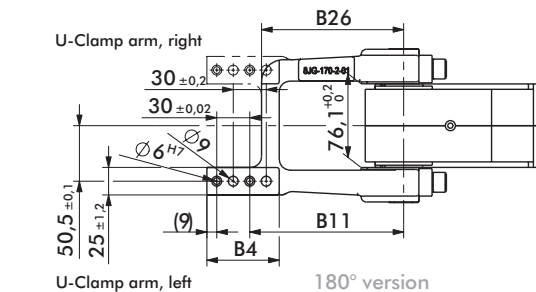
**only steel version available.



8JG-170-2-01**
8UL801-45-204**

8JG-171-2-01**
8UR801-45-204**

*90° left/180° right uses same clamp arm.
90° right/180° left uses same clamp arm.



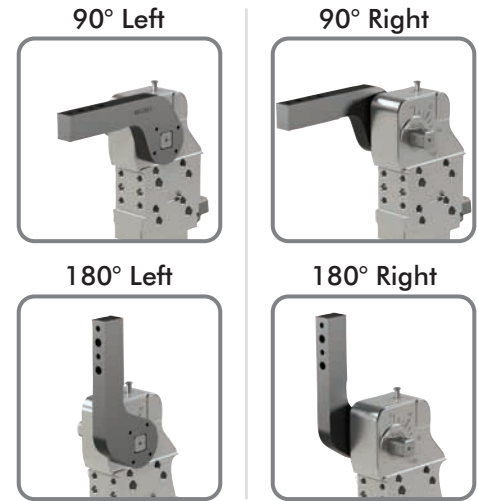
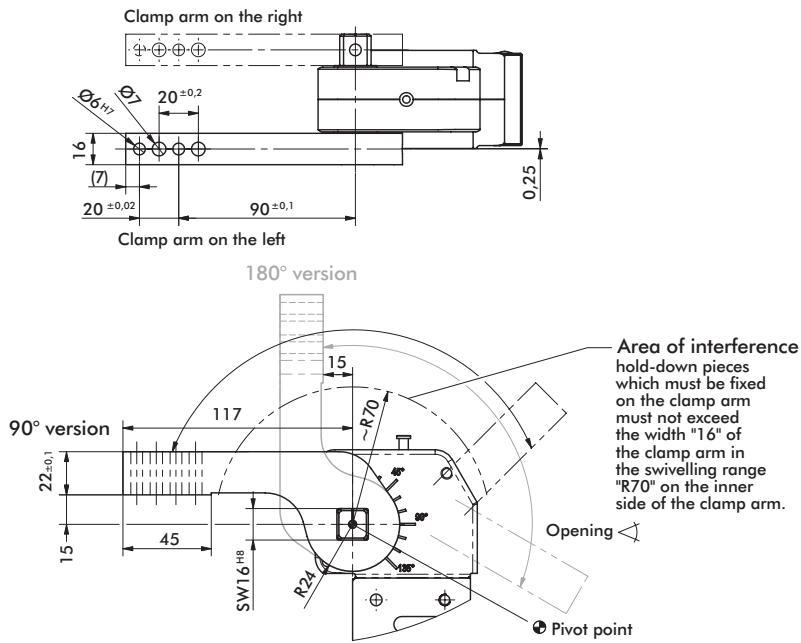
| Arm Model No. | Max. Opening 90° Version | Max. Opening 180° Version | Weight (kg) | B2 | B4 | B11 ±0,1 | B26 | L4 ±0,1 | L5 |
|-------------------|--------------------------|---------------------------|-------------|-----|-----|----------|-----|---------|----|
| 8JG-17(.)-2-01** | 135° | 135° | 3,5 | 179 | 65 | 140 | 129 | 35 | 20 |
| 8U(.)801-45-204** | | 4,3 | 204 | 66 | 165 | 154 | 45 | | |

**only steel version available.

LATERAL (SIDE) ARMS

Enclosed Pneumatic Power Clamps | Heavy-Duty Modular | Dimensions and Technical Specifications

For Size 40mm*

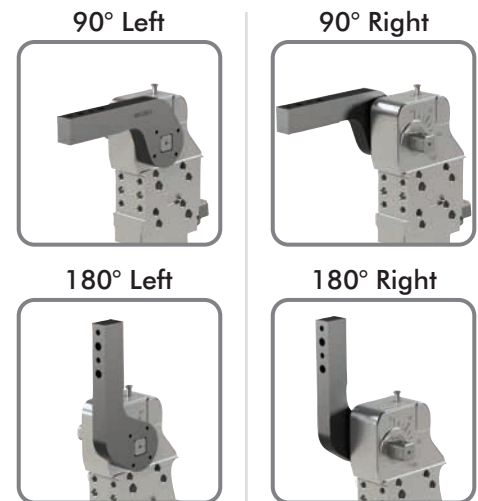
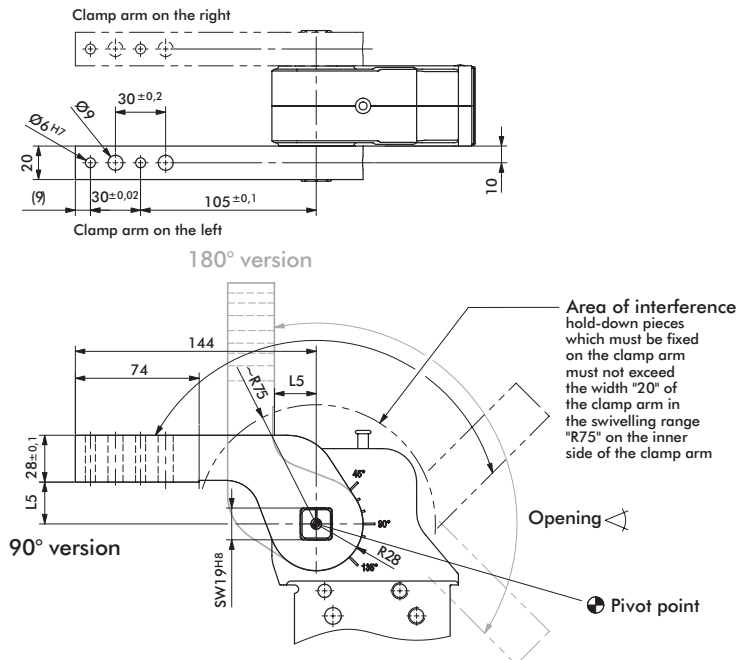


8S401-15-117

| Arm Model No. | Max. Opening 90° Version | Max. Opening 180° Version | Weight (kg) |
|---------------|--------------------------|---------------------------|-------------|
| 8S401-15-117 | 135° | 120° | 0,5 |

1 clamp arm per set. Models with 2 lateral clamp arms requires 2 clamp arm sets.
*Not compatible with NAAMS Clamp Arm Shaft option 13.

For Size 50mm



8JG-070-1-01
8S501-25-144

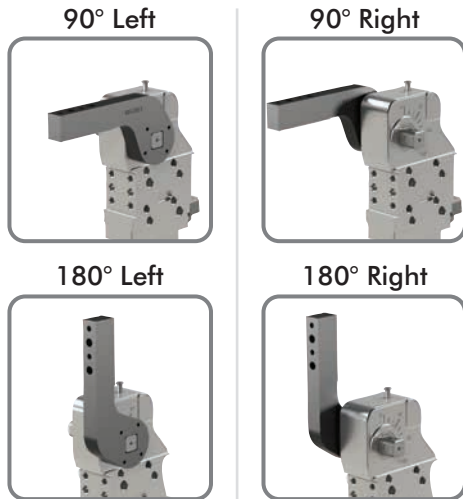
| Arm Model No. | Max. Opening 90° Version | Max. Opening 180° Version | Weight (kg) | L5 |
|---------------|--------------------------|---------------------------|-------------|----|
| 8JG-070-1-01 | 135° | 135° | 0,9 | 15 |
| 8S501-25-144 | | | 1,0 | 25 |

1 clamp arm per set. Models with 2 lateral clamp arms requires 2 clamp arm sets.

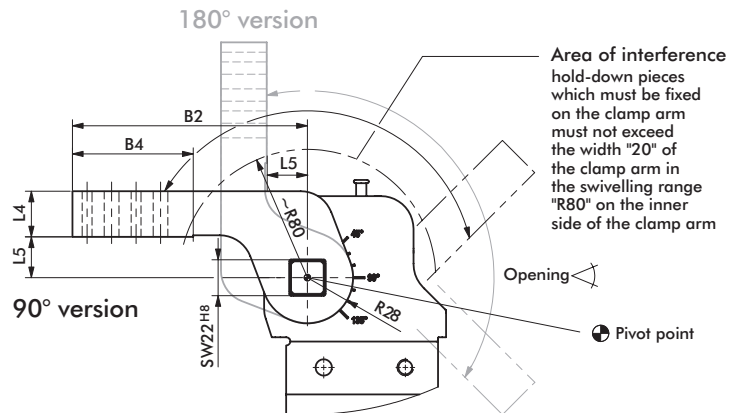
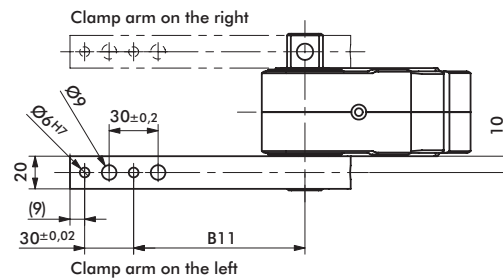
LATERAL (SIDE) ARMS

Enclosed Pneumatic Power Clamps | Heavy-Duty Modular | Dimensions and Technical Specifications

For Size 63mm



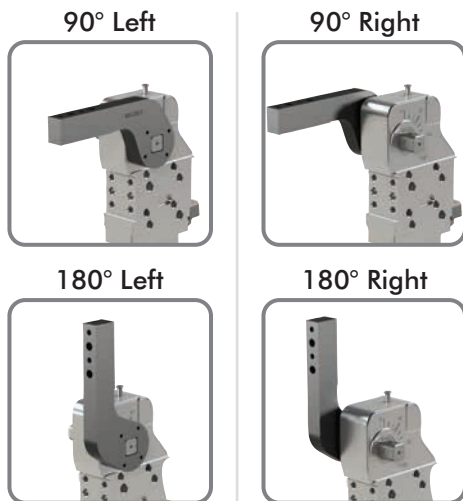
8JG-080-1-01
8S631-25-144
8S631-45-144
8S631-75-204



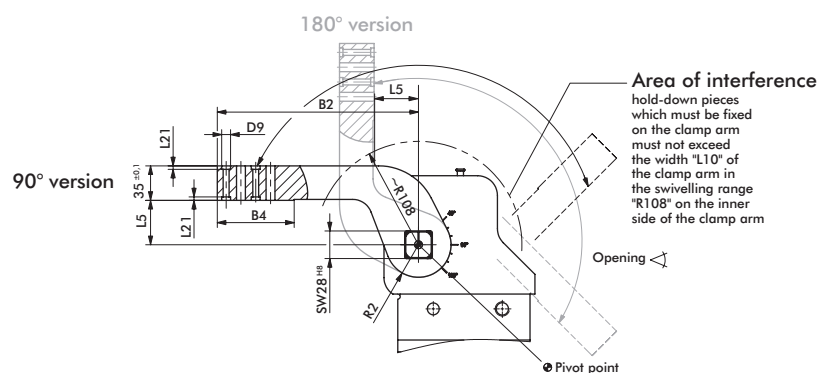
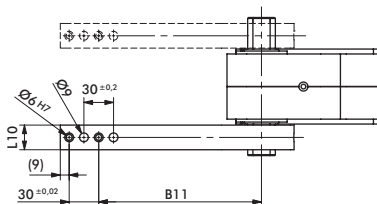
| Arm Model No. | Max. Opening 90° Version | Max. Opening 180° Version | Weight (kg) | B2 | B4 | B11 ±0,1 | L4 ±0,1 | L5 |
|---------------|--------------------------|---------------------------|-------------|-----|----|----------|---------|----|
| 8JG-080-1-01 | 135° | 135° | 0,9 | 144 | 74 | 105 | 28 | 15 |
| 8S631-25-144 | | | 1,0 | | | | | 25 |
| 8S631-45-144 | | | 1,1 | | | | | 45 |
| 8S631-75-204 | | | 1,5 | | | | | 75 |

1 clamp arm per set. Models with 2 lateral clamp arms requires 2 clamp arm sets.

For Size 80mm



8JG-1179-1-01
8S801-45-204



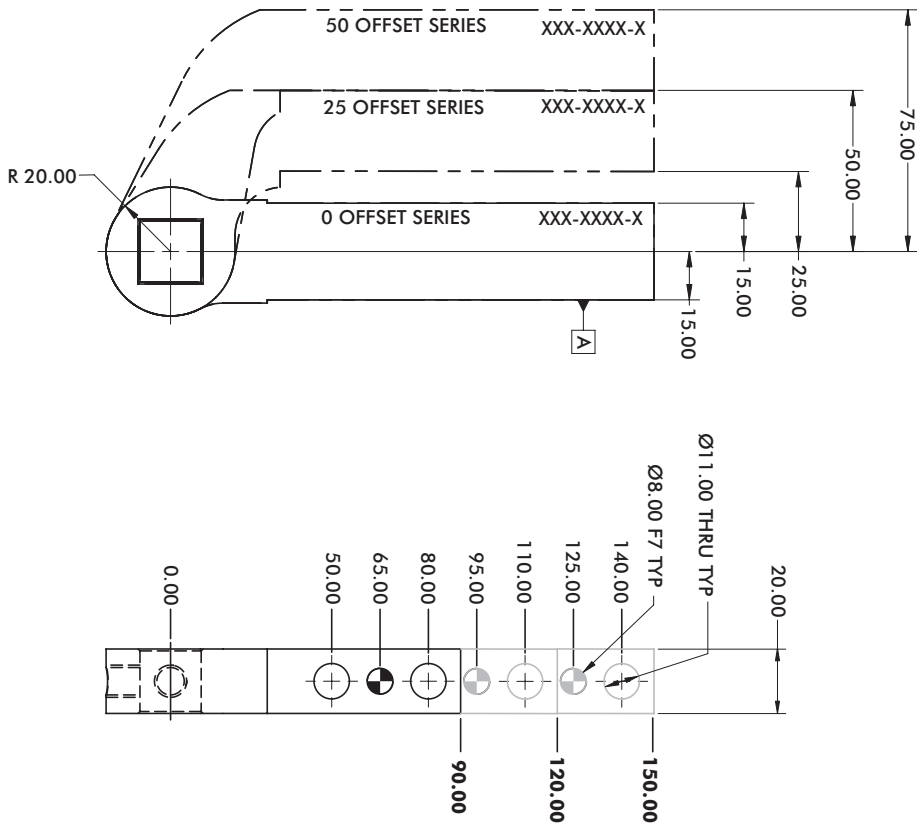
| Arm Model No. | Max. Opening 90° Version | Max. Opening 180° Version | Weight (kg) | B2 | B4 | D9 | B11 ±0,1 | L5 | L10 | L21 | R2 |
|---------------|--------------------------|---------------------------|-------------|-----|----|----|----------|----|-----|-----|----|
| 8JG-1179-1-01 | 135° | 135° | 2,1 | 179 | 74 | - | 140 | 20 | 30 | - | 35 |
| 8S801-45-204 | | | | 204 | 78 | 9 | 165 | 45 | 25 | 3,5 | 33 |

1 clamp arm per set. Models with 2 lateral clamp arms requires 2 clamp arm sets.

LATERAL (SIDE) ARMS, NAAMS-STYLE

Enclosed Pneumatic Power Clamps | Heavy-Duty Modular | Dimensions and Technical Specifications

For Size 50mm



9mm Thru Hole (6.00 H7 Dowel)

90mm [3.54"] Arm Length

| Series | Arm Style | Model |
|-----------|-----------|-------------|
| 50 Offset | ▲ • 3256 | B8JG-3256-1 |
| 25 Offset | ▲ • 3246 | B8JG-3246-1 |
| 0 Offset | ▲ • 3236 | B8JG-3236-1 |

120mm [4.72"] Arm Length

| Series | Arm Style | Model |
|-----------|-----------|-------------|
| 50 Offset | ▲ • 3257 | B8JG-3257-1 |
| 25 Offset | ▲ • 3247 | B8JG-3247-1 |
| 0 Offset | ▲ • 3237 | B8JG-3237-1 |

150mm [5.90"] Arm Length

| Series | Arm Style | Model |
|-----------|-----------|-------------|
| 50 Offset | ▲ • 3258 | B8JG-3258-1 |
| 25 Offset | ▲ • 3248 | B8JG-3248-1 |
| 0 Offset | ▲ • 3238 | B8JG-3238-1 |

11mm Thru Hole (8.00 F7 Dowel)

90mm [3.54"] Arm Length

| Series | Arm Style | Model |
|-----------|-----------|-------------|
| 50 Offset | ▲ • 1226 | B8JG-1226-1 |
| 25 Offset | ▲ • 1216 | B8JG-1216-1 |
| 0 Offset | ▲ • 1206 | B8JG-1206-1 |

120mm [4.72"] Arm Length

| Series | Arm Style | Model |
|-----------|-----------|-------------|
| 50 Offset | ▲ • 1227 | B8JG-1227-1 |
| 25 Offset | ▲ • 1217 | B8JG-1217-1 |
| 0 Offset | ▲ • 1207 | B8JG-1207-1 |

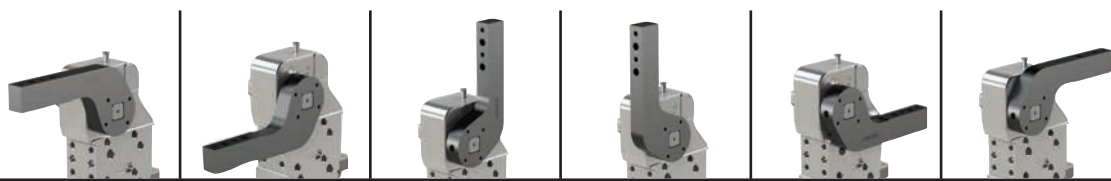
150mm [5.90"] Arm Length

| Series | Arm Style | Model |
|-----------|-----------|-------------|
| 50 Offset | ▲ • 1228 | B8JG-1228-1 |
| 25 Offset | ▲ • 1218 | B8JG-1218-1 |
| 0 Offset | ▲ • 1208 | B8JG-1208-1 |

▲ Common in North America

(•) STANDARD ARM OFFERING

Maximum Opening Angle (shown in locked position)

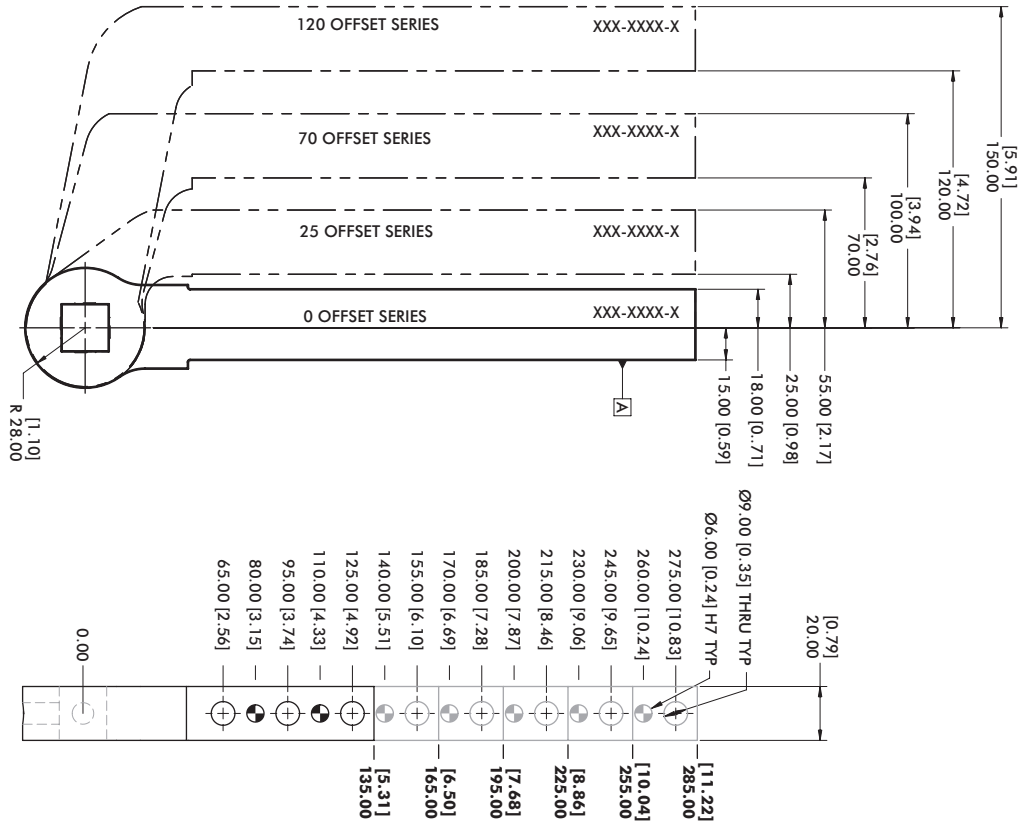


| Arm Styles | 1206-1208/3236-3238 | 1216-1218/3246-3248 | 1226-1228/3256-3258 | 1207-1209/3237-3239 | 1217-1219/3247-3249 | 1227-1229/3257-3259 | 1208-1210/3238-3240 | 1218-1220/3248-3250 | 1228-1230/3258-3260 |
|---------------------|---------------------|---------------------|---------------------|---------------------|---------------------|---------------------|---------------------|---------------------|---------------------|
| 1206-1208/3236-3238 | 135° | 135° | 125° | 100° | 100° | N/A | N/A | N/A | N/A |
| 1216-1218/3246-3248 | 135° | N/A | 125° | 50° | 125° | N/A | N/A | N/A | 30° |
| 1226-1228/3256-3258 | 125° | N/A | 125° | 35° | 135° | N/A | N/A | N/A | 50° |

LATERAL (SIDE) ARMS, NAAMS-STYLE

Enclosed Pneumatic Power Clamps | Heavy-Duty Modular | Dimensions and Technical Specifications

For Size 63mm with 23 Clamp Arm Shaft Option

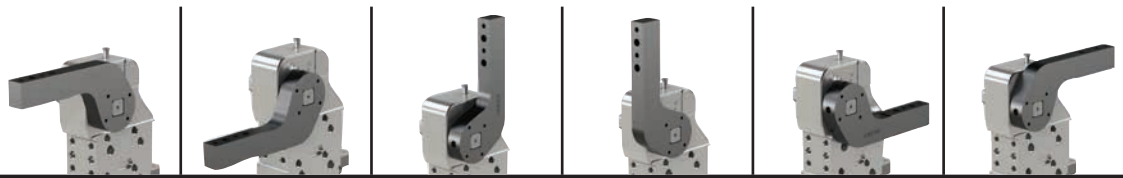


| 135mm [5.31"] Arm Length | | | 165mm [6.50"] Arm Length | | | 195mm [7.68"] Arm Length | | |
|--------------------------|-----------|-------------|--------------------------|-----------|-------------|--------------------------|-----------|-------------|
| Series | Arm Style | Model | Series | Arm Style | Model | Series | Arm Style | Model |
| 120 Offset | ▲ 1543 | B8JG-1543-1 | 120 Offset | ▲ 1544 | B8JG-1544-1 | 120 Offset | ▲ 1545 | B8JG-1545-1 |
| 70 Offset | ▲ 1531 | B8JG-1531-1 | 70 Offset | ▲ 1532 | B8JG-1532-1 | 70 Offset | ▲ 1533 | B8JG-1533-1 |
| 25 Offset | ▲ 1519 | B8JG-1519-1 | 25 Offset | ▲ 1520 | B8JG-1520-1 | 25 Offset | ▲ 1521 | B8JG-1521-1 |
| 0 Offset | ▲ 1507 | B8JG-1507-1 | 0 Offset | ▲ 1508 | B8JG-1508-1 | 0 Offset | ▲ 1509 | B8JG-1509-1 |

| 225mm [8.86"] Arm Length | | | 255mm [10.04"] Arm Length | | | 285mm [11.22"] Arm Length | | |
|--------------------------|-----------|-------------|---------------------------|-----------|-------------|---------------------------|-----------|-------------|
| Series | Arm Style | Model | Series | Arm Style | Model | Series | Arm Style | Model |
| 120 Offset | ▲ 1546 | B8JG-1546-1 | 120 Offset | ▲ 1547 | B8JG-1547-1 | 120 Offset | ▲ 1548 | B8JG-1548-1 |
| 70 Offset | ▲ 1534 | B8JG-1534-1 | 70 Offset | ▲ 1535 | B8JG-1535-1 | 70 Offset | ▲ 1536 | B8JG-1536-1 |
| 25 Offset | ▲ 1522 | B8JG-1522-1 | 25 Offset | ▲ 1523 | B8JG-1523-1 | 25 Offset | ▲ 1524 | B8JG-1524-1 |
| 0 Offset | ▲ 1510 | B8JG-1510-1 | 0 Offset | ▲ 1511 | B8JG-1511-1 | 0 Offset | ▲ 1512 | B8JG-1512-1 |

▲ Common in North America

Maximum Opening Angle (shown in locked position)

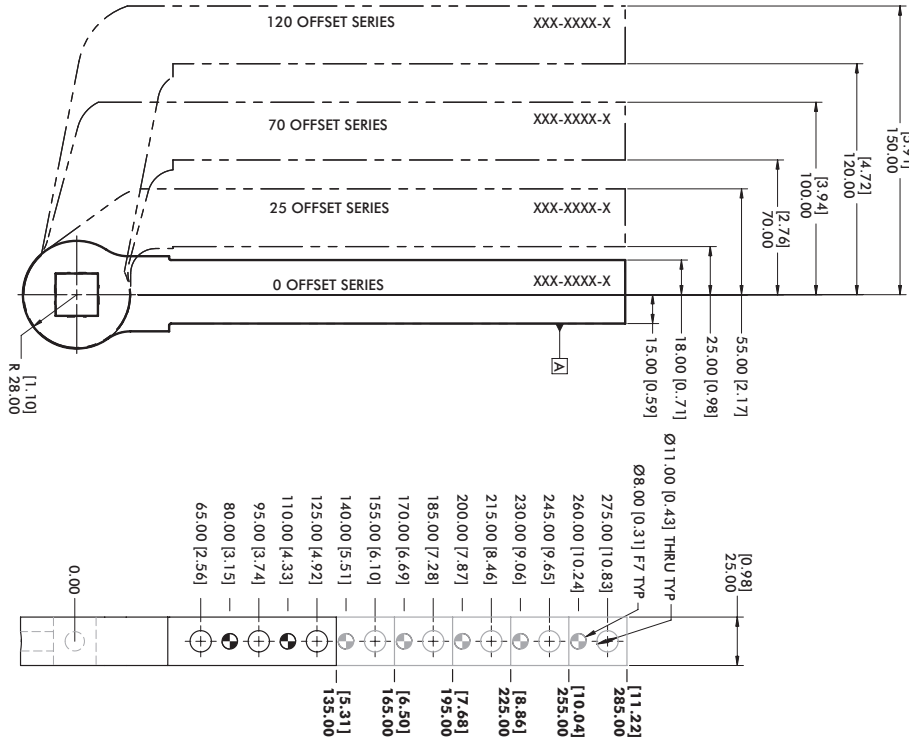


| Arm Styles | 135° | 135° | 100° | 100° | N/A | N/A |
|---------------------|------|------|------|------|-----|-----|
| 1510-1512/1507-1509 | 135° | 135° | 100° | 100° | N/A | N/A |
| 1522-1524/1519-1521 | 135° | N/A | 50° | 130° | N/A | 40° |
| 1534-1536/1531-1533 | 115° | N/A | 25° | 135° | N/A | 75° |
| 1546-1548/1543-1545 | 110° | N/A | 20° | 135° | N/A | 85° |

LATERAL (SIDE) ARMS, NAAMS-STYLE

Enclosed Pneumatic Power Clamps | Heavy-Duty Modular | Dimensions and Technical Specifications

For Size 63mm with D0 Clamp Arm Shaft Option

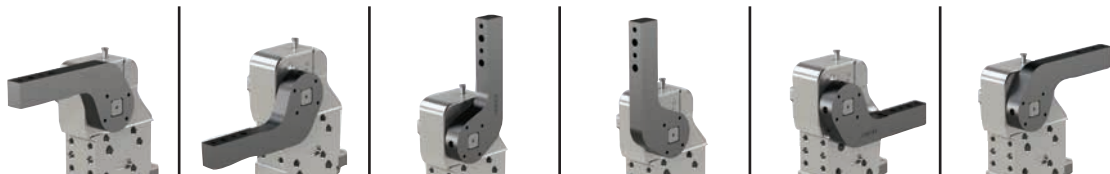


| 135mm [5.31"] Arm Length | | | 165mm [6.50"] Arm Length | | | 195mm [7.68"] Arm Length | | |
|--------------------------|-----------|-------------|--------------------------|-----------|-------------|--------------------------|-----------|-------------|
| Series | Arm Style | Model | Series | Arm Style | Model | Series | Arm Style | Model |
| 120 Offset | ▲ • 1043 | B8JG-1043-1 | 120 Offset | ▲ ⓘ 1044 | B8JG-1044-1 | 120 Offset | ▲ ⓘ 1045 | B8JG-1045-1 |
| 70 Offset | ▲ • 1031 | B8JG-1031-1 | 70 Offset | ▲ • 1032 | B8JG-1032-1 | 70 Offset | ▲ • 1033 | B8JG-1033-1 |
| 25 Offset | ▲ • 1019 | B8JG-1019-1 | 25 Offset | ▲ • 1020 | B8JG-1020-1 | 25 Offset | ▲ ⓘ 1021 | B8JG-1021-1 |
| 0 Offset | ▲ • 1007 | B8JG-1007-1 | 0 Offset | ▲ • 1008 | B8JG-1008-1 | 0 Offset | ▲ • 1009 | B8JG-1009-1 |

| 225mm [8.86"] Arm Length | | | 255mm [10.04"] Arm Length | | | 285mm [11.22"] Arm Length | | |
|--------------------------|-----------|-------------|---------------------------|-----------|-------------|---------------------------|-----------|-------------|
| Series | Arm Style | Model | Series | Arm Style | Model | Series | Arm Style | Model |
| 120 Offset | ▲ ⓘ 1046 | B8JG-1046-1 | 120 Offset | ▲ ⓘ 1047 | B8JG-1047-1 | 120 Offset | ▲ ⓘ 1048 | B8JG-1048-1 |
| 70 Offset | ▲ • 1034 | B8JG-1034-1 | 70 Offset | ▲ • 1035 | B8JG-1035-1 | 70 Offset | ▲ ⓘ 1036 | B8JG-1036-1 |
| 25 Offset | ▲ ⓘ 1022 | B8JG-1022-1 | 25 Offset | ▲ ⓘ 1023 | B8JG-1023-1 | 25 Offset | ▲ ⓘ 1024 | B8JG-1024-1 |
| 0 Offset | ▲ ⓘ 1010 | B8JG-1010-1 | 0 Offset | ▲ ⓘ 1011 | B8JG-1011-1 | 0 Offset | ▲ ⓘ 1012 | B8JG-1012-1 |

▲ Common in North America (•) STANDARD ARM OFFERING ⓘ NON-STANDARD ARM OFFERING (extended leadtimes apply)

Maximum Opening Angle (shown in locked position)

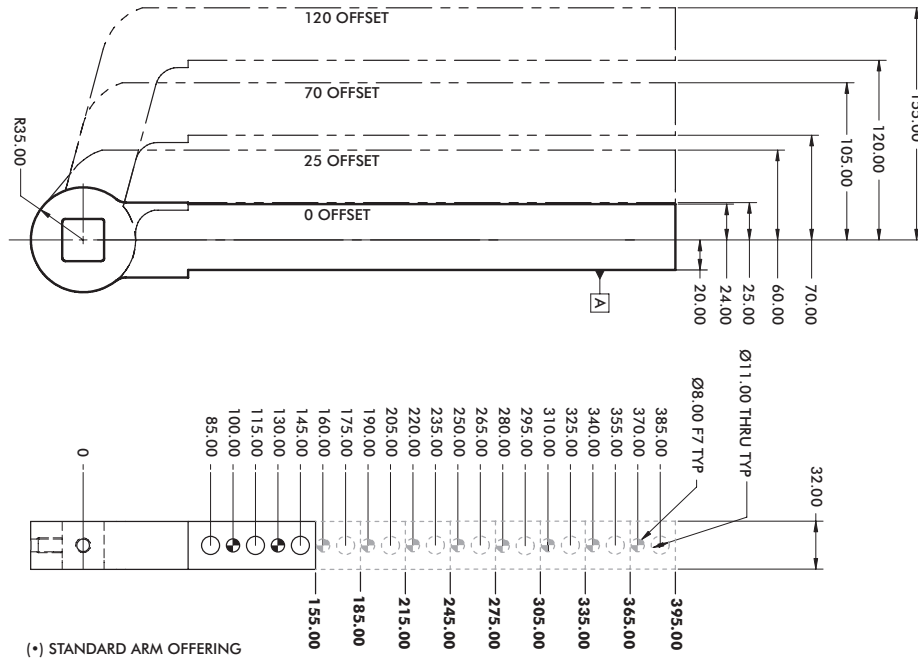


| Arm Styles | 135° | 135° | 100° | 100° | N/A | N/A |
|---------------------|------|------|------|------|-----|-----|
| 1010-1012/1007-1009 | 135° | 135° | 100° | 100° | N/A | N/A |
| 1022-1024/1019-1021 | 135° | N/A | 50° | 130° | N/A | 40° |
| 1034-1036/1031-1033 | 115° | N/A | 25° | 135° | N/A | 75° |
| 1046-1048/1043-1045 | 110° | N/A | 20° | 135° | N/A | 85° |

LATERAL (SIDE) ARMS, NAAMS-STYLE

Enclosed Pneumatic Power Clamps | Heavy-Duty Modular | Dimensions and Technical Specifications

For Size 80mm



155mm [4.53"] Arm Length

| Series | Arm Style | Model |
|------------|-----------|-------------|
| 120 Offset | ▲ ⓘ 1170 | B8JG-1170-1 |
| 70 Offset | ▲ • 1150 | B8JG-1150-1 |
| 25 Offset | ▲ ⓘ 1130 | B8JG-1130-1 |
| 0 Offset | ▲ ⓘ 1110 | B8JG-1110-1 |

185mm [7.28"] Arm Length

| Series | Arm Style | Model |
|------------|-----------|-------------|
| 120 Offset | ▲ ⓘ 1171 | B8JG-1171-1 |
| 70 Offset | ▲ ⓘ 1151 | B8JG-1151-1 |
| 25 Offset | ▲ ⓘ 1131 | B8JG-1131-1 |
| 0 Offset | ▲ ⓘ 1111 | B8JG-1111-1 |

215mm [8.46"] Arm Length

| Series | Arm Style | Model |
|------------|-----------|-------------|
| 120 Offset | ▲ ⓘ 1172 | B8JG-1172-1 |
| 70 Offset | ▲ ⓘ 1152 | B8JG-1152-1 |
| 25 Offset | ▲ ⓘ 1132 | B8JG-1132-1 |
| 0 Offset | ▲ • 1112 | B8JG-1112-1 |

245mm [9.65"] Arm Length

| Series | Arm Style | Model |
|------------|-----------|-------------|
| 120 Offset | ▲ ⓘ 1173 | B8JG-1173-1 |
| 70 Offset | ▲ ⓘ 1153 | B8JG-1153-1 |
| 25 Offset | ▲ ⓘ 1133 | B8JG-1133-1 |
| 0 Offset | ▲ ⓘ 1113 | B8JG-1113-1 |

275mm [10.83"] Arm Length

| Series | Arm Style | Model |
|------------|-----------|-------------|
| 120 Offset | ▲ ⓘ 1174 | B8JG-1174-1 |
| 70 Offset | ▲ ⓘ 1154 | B8JG-1154-1 |
| 25 Offset | ▲ • 1134 | B8JG-1134-1 |
| 0 Offset | ▲ ⓘ 1114 | B8JG-1114-1 |

305mm [12.00"] Arm Length

| Series | Arm Style | Model |
|------------|-----------|-------------|
| 120 Offset | ▲ ⓘ 1175 | B8JG-1175-1 |
| 70 Offset | ▲ • 1155 | B8JG-1155-1 |
| 25 Offset | ▲ ⓘ 1135 | B8JG-1135-1 |
| 0 Offset | ▲ ⓘ 1115 | B8JG-1115-1 |

335mm [13.19"] Arm Length

| Series | Arm Style | Model |
|------------|-----------|-------------|
| 120 Offset | ▲ ⓘ 1176 | B8JG-1176-1 |
| 70 Offset | ▲ ⓘ 1156 | B8JG-1156-1 |
| 25 Offset | ▲ ⓘ 1136 | B8JG-1136-1 |
| 0 Offset | ▲ ⓘ 1116 | B8JG-1116-1 |

365mm [14.37"] Arm Length

| Series | Arm Style | Model |
|------------|-----------|-------------|
| 120 Offset | ▲ ⓘ 1177 | B8JG-1177-1 |
| 70 Offset | ▲ ⓘ 1157 | B8JG-1157-1 |
| 25 Offset | ▲ ⓘ 1137 | B8JG-1137-1 |
| 0 Offset | ▲ ⓘ 1117 | B8JG-1117-1 |

395mm [15.55"] Arm Length

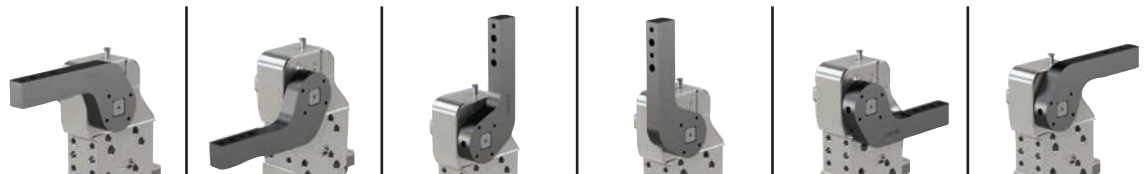
| Series | Arm Style | Model |
|------------|-----------|-------------|
| 120 Offset | ▲ ⓘ 1178 | B8JG-1178-1 |
| 70 Offset | ▲ • 1158 | B8JG-1158-1 |
| 25 Offset | ▲ ⓘ 1138 | B8JG-1138-1 |
| 0 Offset | ▲ • 1118 | B8JG-1118-1 |

▲ Common in North America

(*) STANDARD ARM OFFERING

ⓘ NON-STANDARD ARM OFFERING (extended leadtimes apply)

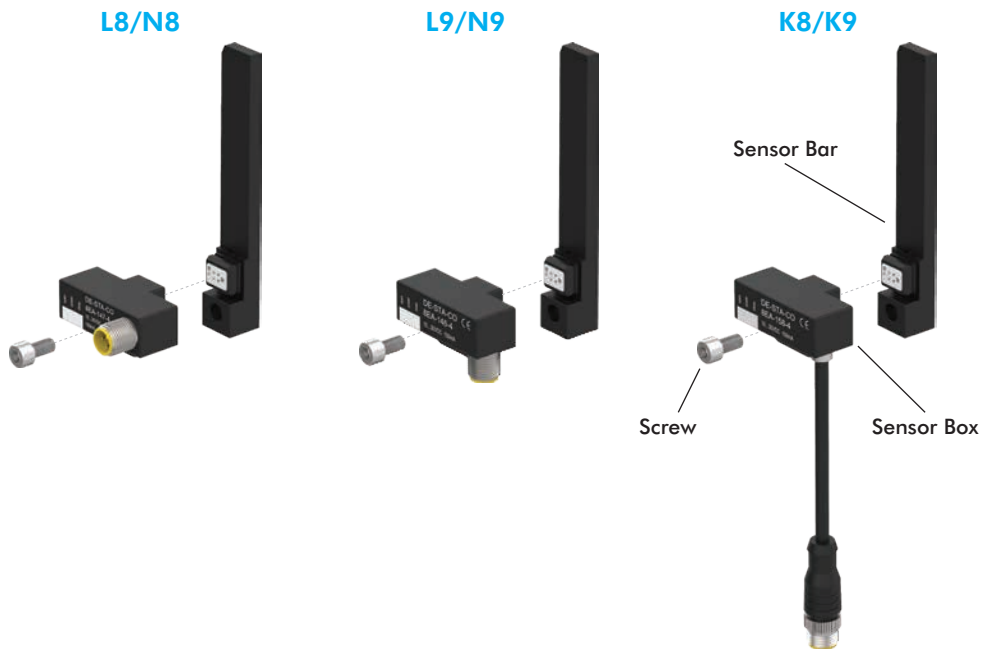
Maximum Opening Angle (shown in locked position)



| Arm Styles | 1110 - 1118 | 1130 - 1138 | 1150 - 1158 | 1170 - 1178 | 1190 - 1198 | 1210 - 1218 |
|-------------|-------------|-------------|-------------|-------------|-------------|-------------|
| 1110 - 1118 | 135° | 135° | 100° | 100° | N/A | N/A |
| 1130 - 1138 | 135° | N/A | 60° | 120° | N/A | 30° |
| 1150 - 1158 | 125° | N/A | 35° | 135° | N/A | 55° |
| 1170 - 1178 | 115° | N/A | 25° | 135° | N/A | 80° |

TCC-2, 82M-3, 52H-3 SENSORS

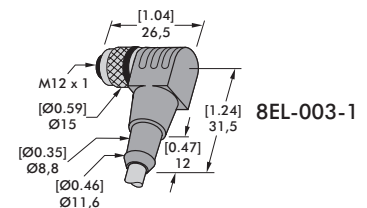
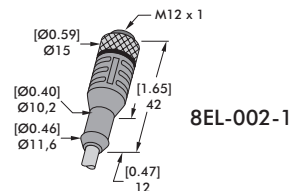
Replacement Sensor Kits and Components

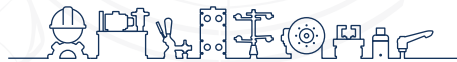


| Fits Base Models | Complete Sensor Kits (Includes Sensor Box, Sensor Bar, Screw) | | Component Part No. | | | |
|--|--|-------------------------------|--------------------|-------------|-------------|--------------|
| | Order No. | Description | Sensor Kit | Sensor Box | Sensor Bar | Screw |
| TCC-2.....4. | L8 | PNP w/In-line M12x1 Connector | 8EA-146-4-B-03 | 8EA-146-4-B | 8EA-168-4-G | M6X12-912-ZN |
| | N8 | NPN w/In-line M12x1 Connector | 8EA-154-4-B-03 | 8EA-154-4-B | | |
| | L9 | PNP w/90° M12x1 Connector | 8EA-147-4-B-03 | 8EA-147-4-B | | |
| | N9 | NPN w/90° M12x1 Connector | 8EA-155-4-B-03 | 8EA-155-4-B | | |
| | K8 | PNP w/M12x1 Cable Connector | 8EA-158-4-B-03 | 8EA-158-4-B | | |
| | K9 | NPN w/M12x1 Cable Connector | 8EA-167-4-B-03 | 8EA-167-4-B | | |
| TCC-2.....5., 6. 82M-3.....4., 5., 6. 52H-3.....50, 63 | L8 | PNP w/In-line M12x1 Connector | 8EA-146-4-B-01 | 8EA-146-4-B | 8EA-148-4-G | M6X12-912-ZN |
| | N8 | NPN w/In-line M12x1 Connector | 8EA-154-4-B-01 | 8EA-154-4-B | | |
| | L9 | PNP w/90° M12x1 Connector | 8EA-147-4-B-01 | 8EA-147-4-B | | |
| | N9 | NPN w/90° M12x1 Connector | 8EA-155-4-B-01 | 8EA-155-4-B | | |
| | K8 | PNP w/M12x1 Cable Connector | 8EA-158-4-B-01 | 8EA-158-4-B | | |
| | K9 | NPN w/M12x1 Cable Connector | 8EA-167-4-B-01 | 8EA-167-4-B | | |
| 82M-3.....8. | L8 | PNP w/In-line M12x1 Connector | 8EA-146-4-B-02 | 8EA-146-4-B | 8EA-149-4-G | M6X12-912-ZN |
| | N8 | NPN w/In-line M12x1 Connector | 8EA-154-4-B-02 | 8EA-154-4-B | | |
| | L9 | PNP w/90° M12x1 Connector | 8EA-147-4-B-02 | 8EA-147-4-B | | |
| | N9 | NPN w/90° M12x1 Connector | 8EA-155-4-B-02 | 8EA-155-4-B | | |
| | K8 | PNP w/M12x1 Cable Connector | 8EA-158-4-B-02 | 8EA-158-4-B | | |
| | K9 | NPN w/M12x1 Cable Connector | 8EA-167-4-B-02 | 8EA-167-4-B | | |

Sensor Cables Order separately

| Order No. | Description |
|-----------|---|
| 8EL-002-1 | M12x1, Straight, 5-pin Connector with 5 m [16 ft] Cable |
| 8EL-003-1 | M12x1, Angular, 4-pin Connector with 5 m [16 ft] Cable |





inf @ /CESEHSA.com.mx

