

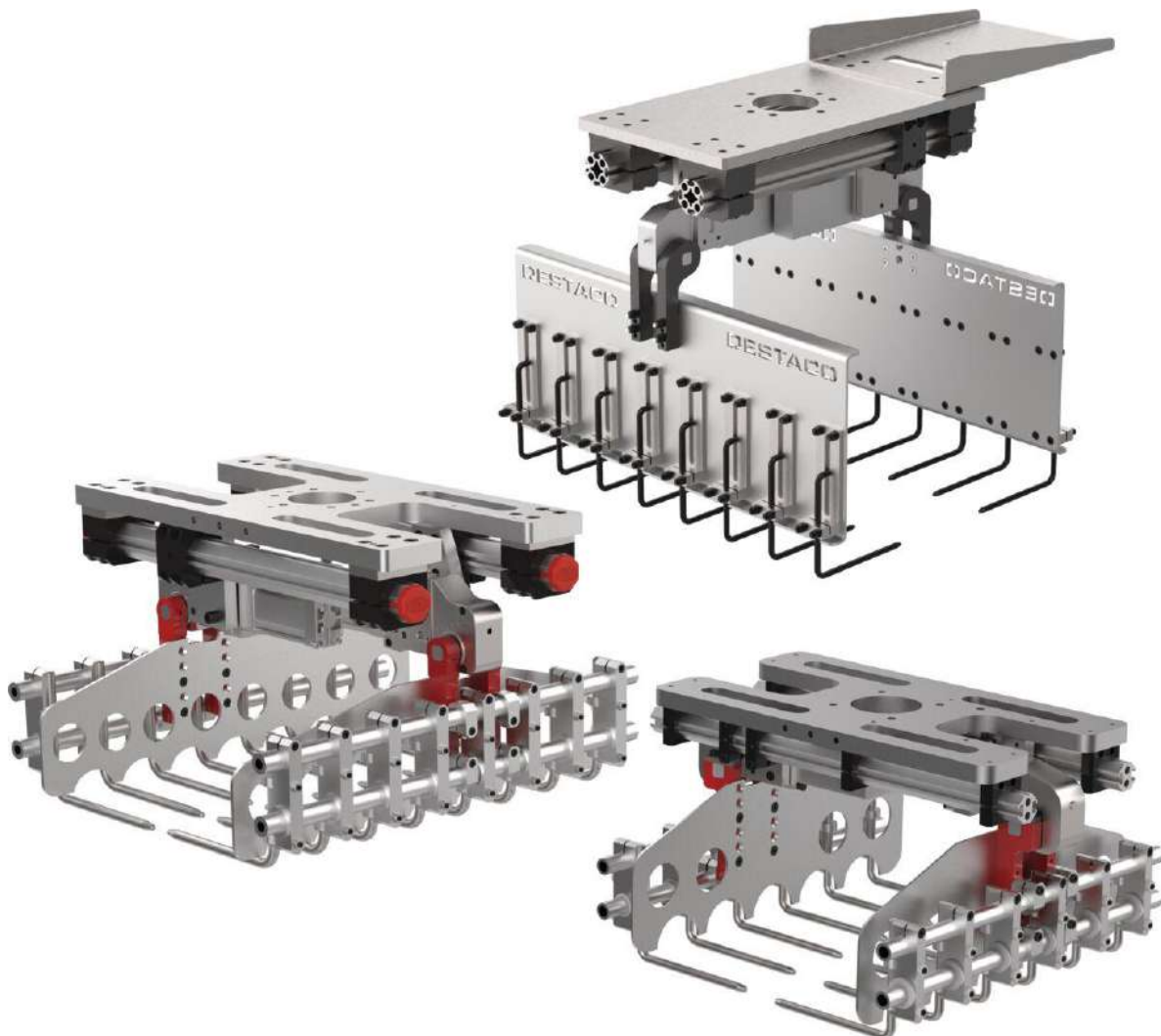
DBG Series Bag Grippers

01/29/2025



info@cesehsa.com.mx

cesehsa.com.mx



DBG Series Bag Grippers

01/29/2025

This catalog is a custom document and the products included is based on your unique selection from portions of complete catalogs that already exist. Please refer to our full catalogs for more information on products not included in this customized document.

Table of Contents

DBG Series Bag Grippers

EE-DBG-1

DBG Series Bag Grippers

01/29/2025

Table of Contents (continued)

BAG GRIPPING AND PALLETIZING SOLUTIONS

DBG Series

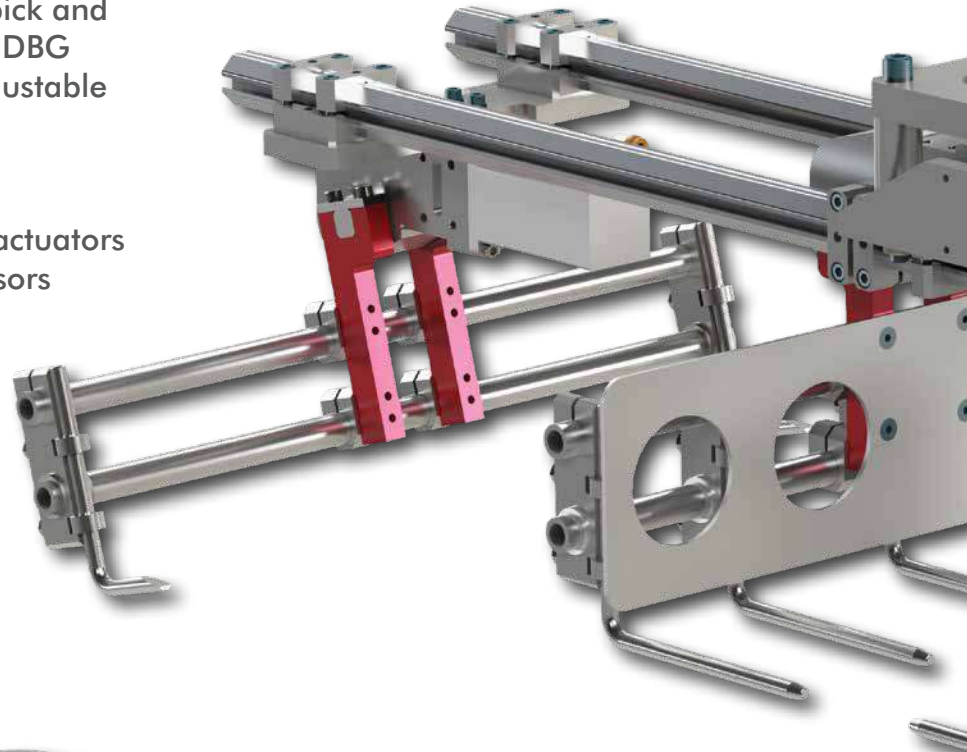
DESTACO DBG Series bag gripping end effector solutions offers end of line pick and place and palletizing solutions. The DBG has a simplified design with field adjustable finger position and opening angle.

Features also include:

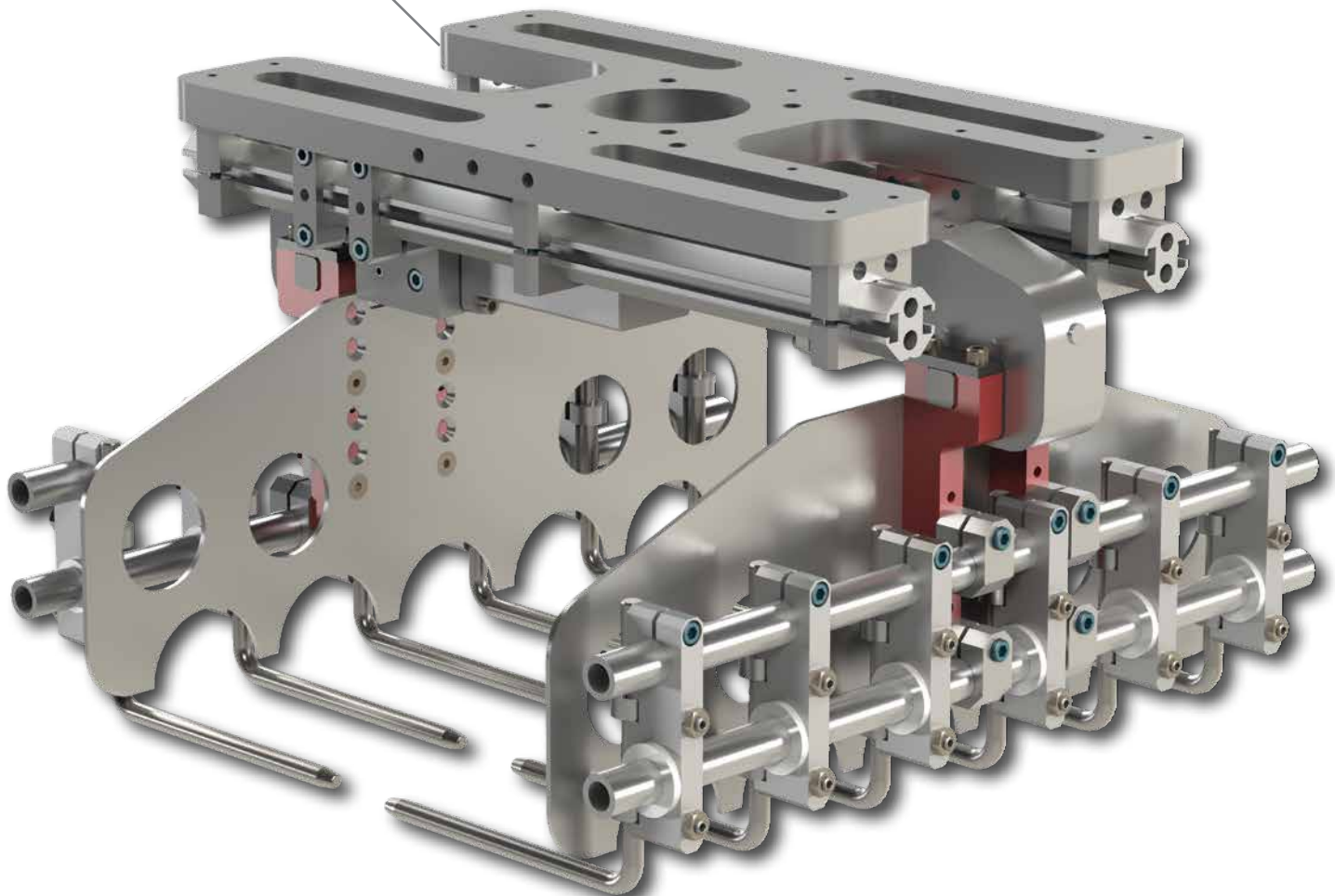
- Pneumatic or electric fully enclosed actuators
- Integrated open/closed position sensors
- Standard off-the-shelf components

Two sizes available:

- DBG50** (50lb Max Load)
- DBG100** (100lb Max Load)

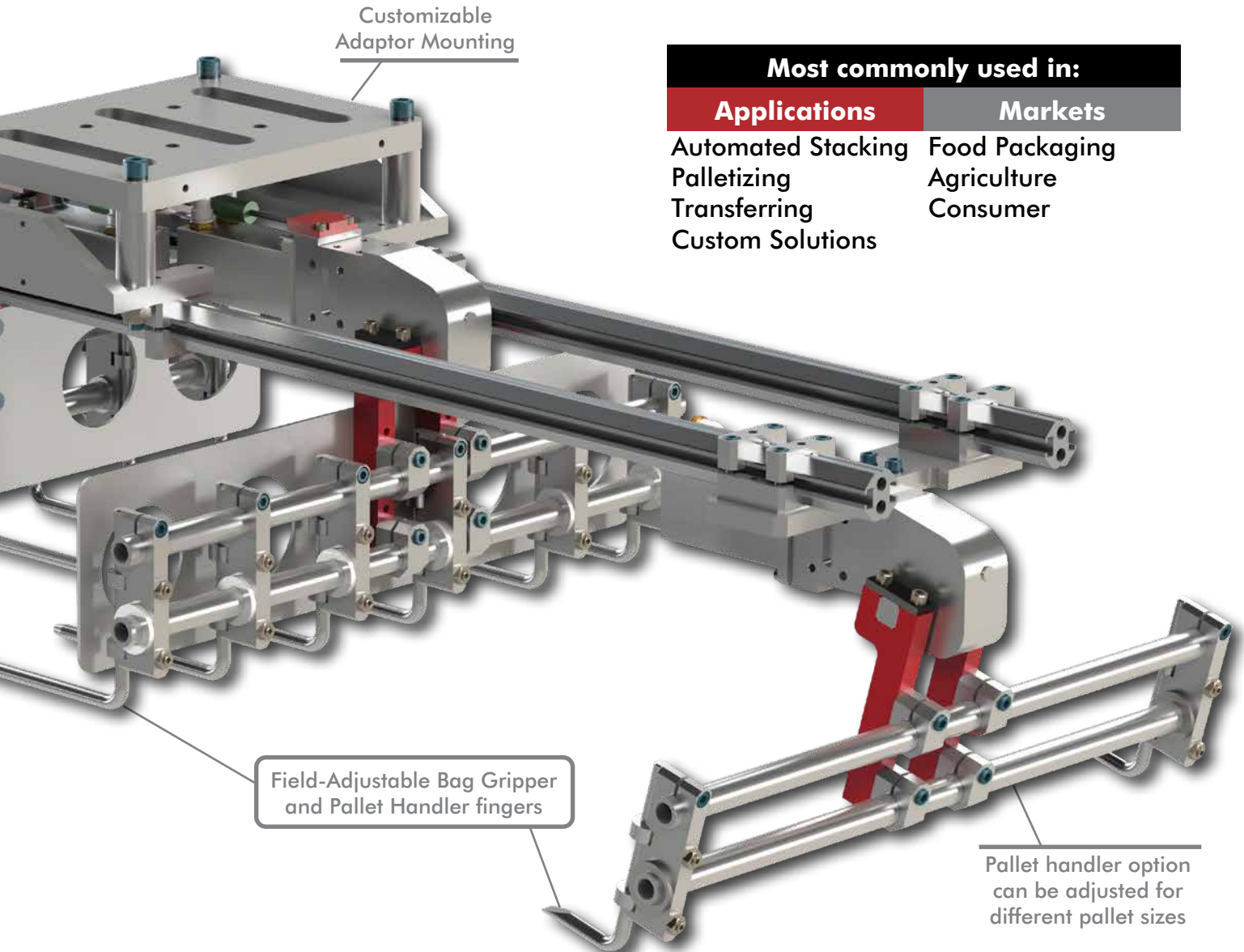


Customer Specified
Robot Mounting Pattern



BAG GRIPPING AND PALLETIZING SOLUTIONS

DBG Series



Most commonly used in:

Applications

Automated Stacking
Palletizing
Transferring
Custom Solutions

Markets

Food Packaging
Agriculture
Consumer

DESTACO DBG Series bag gripper also features optional integrated slip sheet and pallet handling. Products are held secure even if air pressure is lost.

With rapid actuation, the DBG can palletize up to 30 bags per minute when working in concert with robotic automation.

DESTACO also provides custom design and build solutions for handling any packaging transfer and palletizing needs.



DBG SERIES BAG GRIPPER

Product Overview

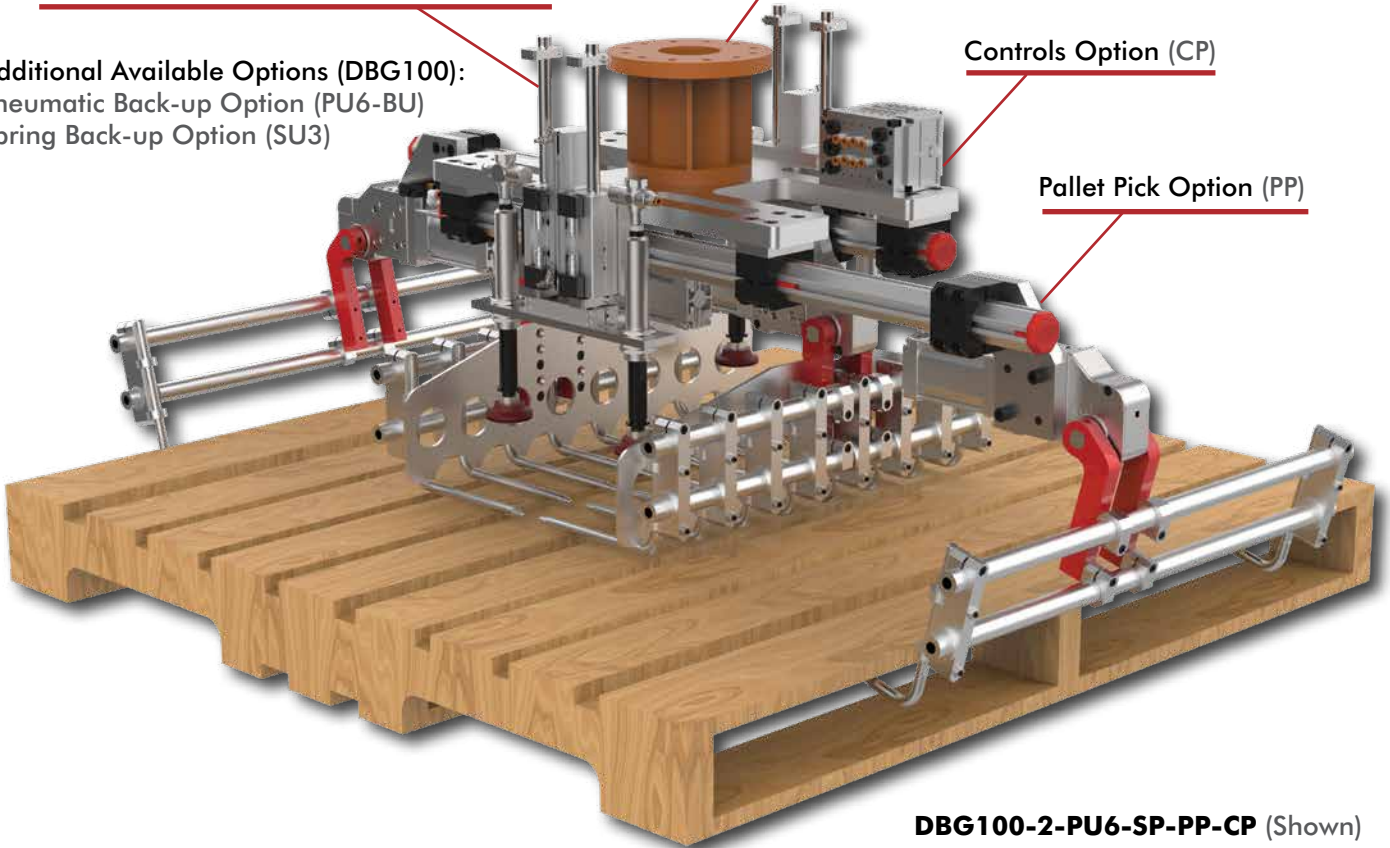
Robot Mount Stand-Off
(Sold Separately)

Pneumatic Slip Sheet Pick Option (PU6-SP)

Additional Available Options (DBG100):
Pneumatic Back-up Option (PU6-BU)
Spring Back-up Option (SU3)

Controls Option (CP)

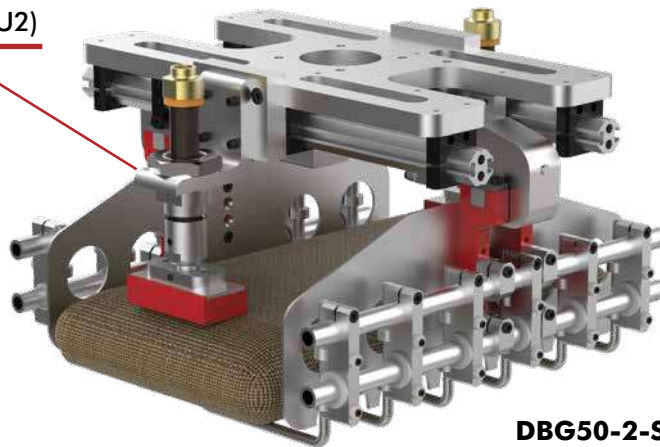
Pallet Pick Option (PP)



DBG100-2-PU6-SP-PP-CP (Shown)

Spring Back-up Option (SU2)

Additional Available Options (DBG50):
Pneumatic Back-up Option (PU4-BU)
Pneumatic Slip Sheet Pick Option (PU4-SP)
Controls Option (CP)
Pallet Pick Option (PP)



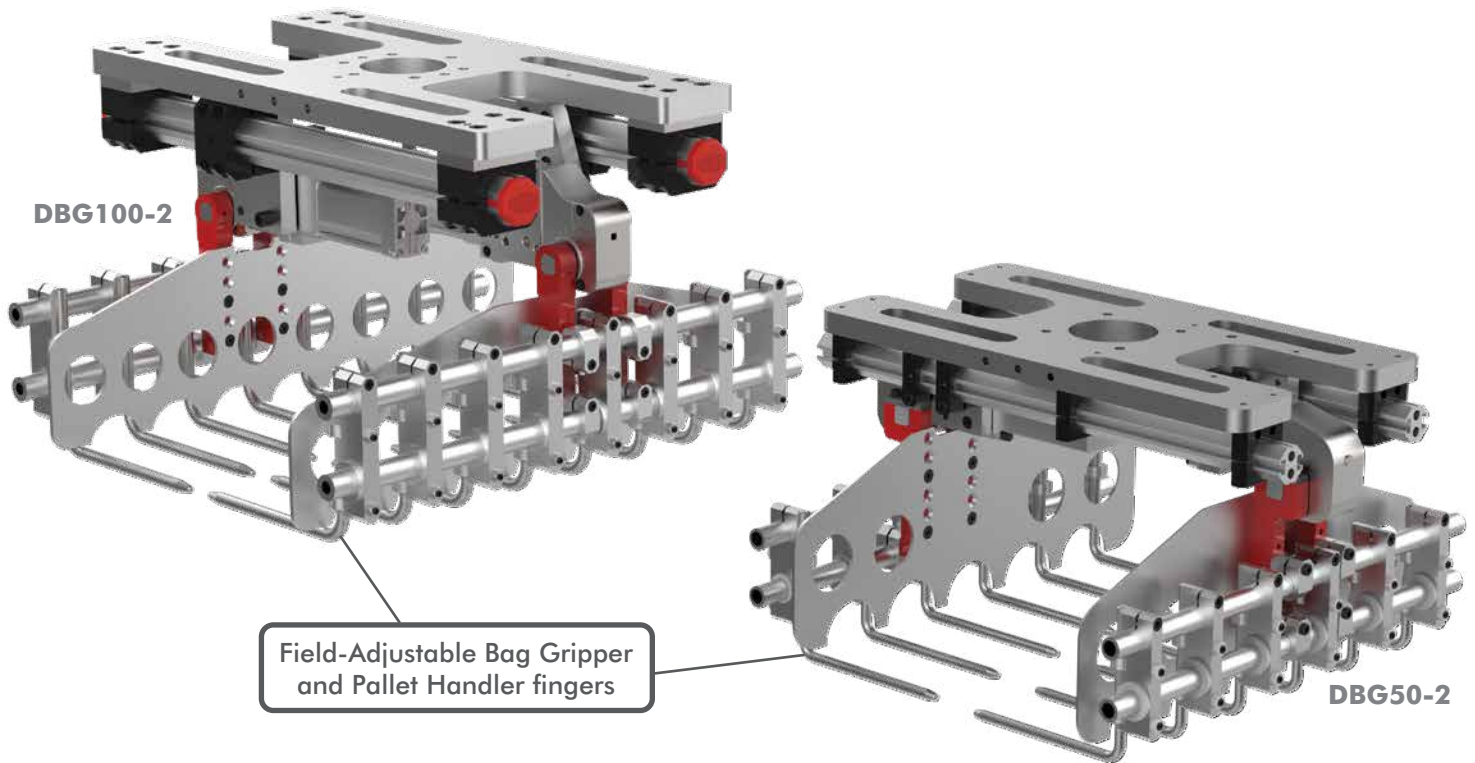
DBG50-2-SU2 (Shown)



Scan the QR Codes to see the bag gripper application videos.

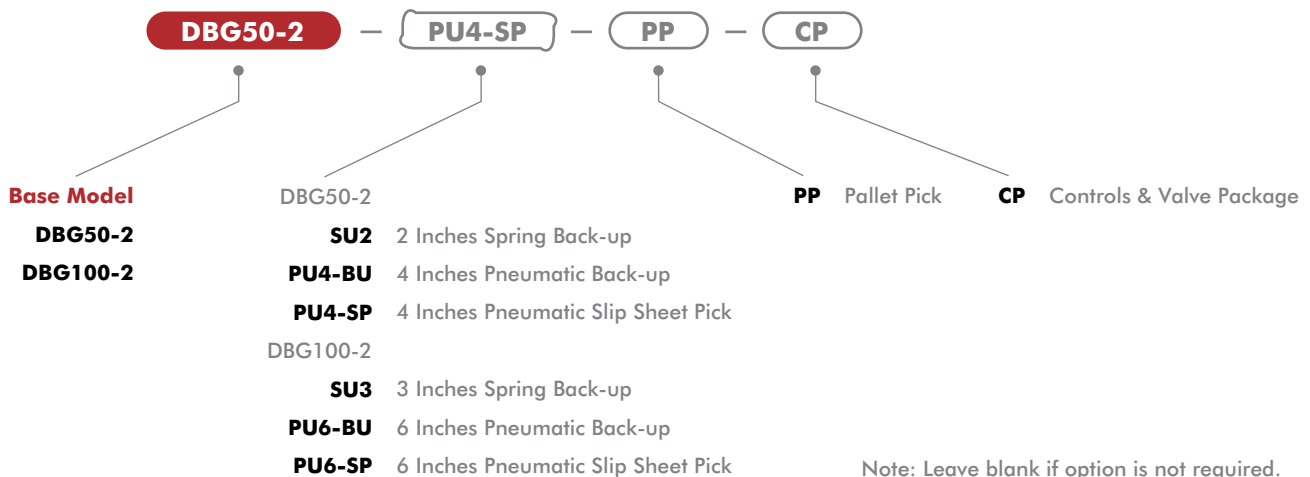
DBG SERIES BAG GRIPPER

Base Models



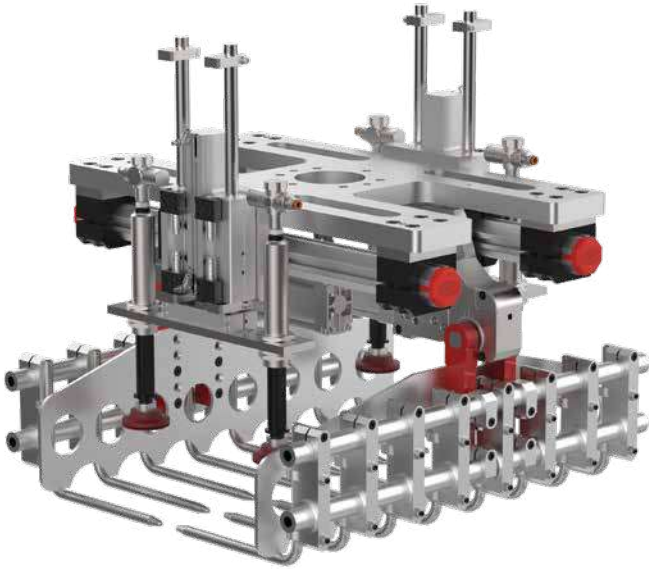
DBG Series Bag Grippers		
Specifications	DBG50-2	DBG100-2
Unit Weight:	17kg [38 lbs]	43kg [95 lbs]
Maximum Payload:	23Kg [50 lbs]	45Kg [100 lbs]
Maximum Bag Size:	432 x 711 x 122mm [17 x 28 x 5 in]	610 x 1016 x 170mm [24 x 40 x 6.7 in]

DBG Bag Gripper Order Information



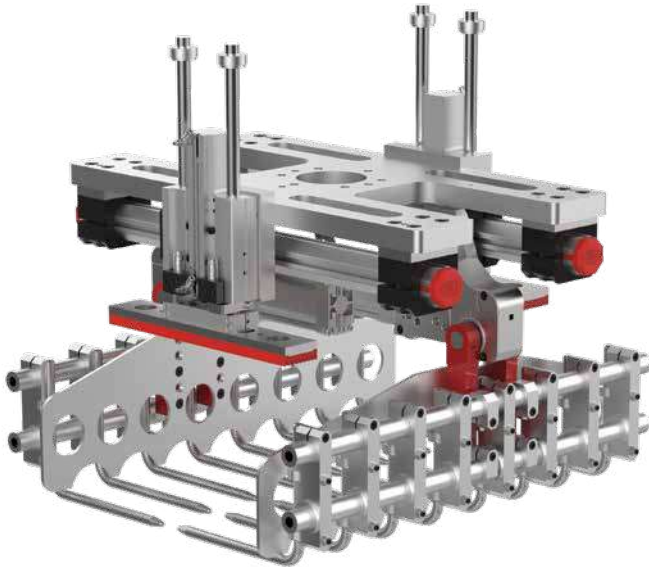
DBG SERIES BAG GRIPPER

Options



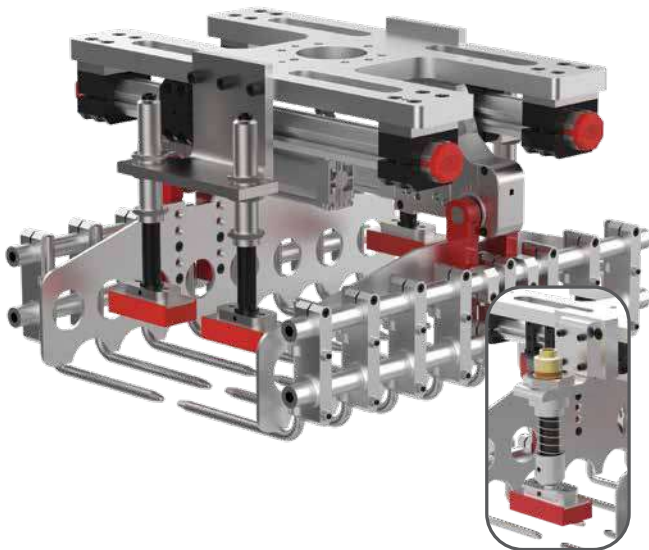
PU(x)-SP Pneumatic Slip Sheet Pick Option

- In addition to the spring compensator option, a vacuum system can be added to the package which will handle the slip sheet.
- Eliminate the need for a second end effector or secondary operation.
- 4" Stroke for DBG50-2 (PU4-SP)
(Add option weight of 5kg [11 lbs] to base model)
- 6" Stroke for DBG100-2 (PU6-SP)
(Add option weight of 10kg [23 lbs] to base model)



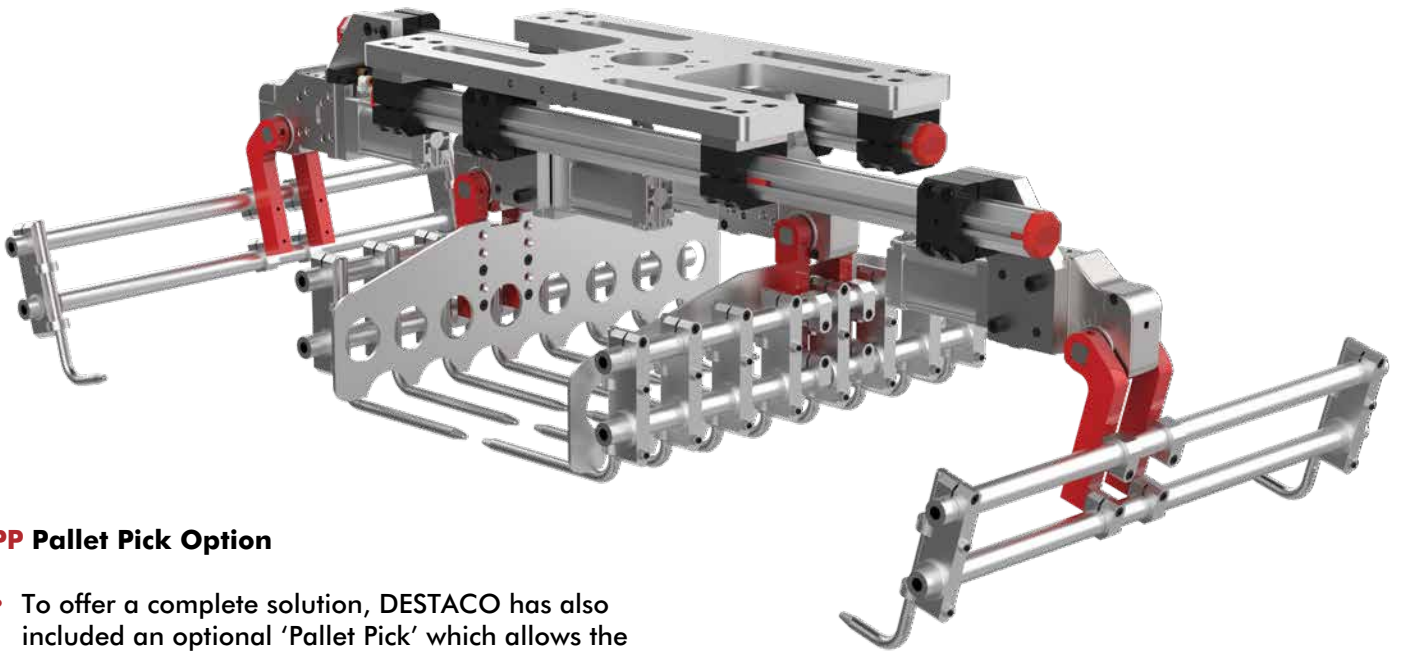
PU(x)-BU Pneumatic Back-Up Option

- The pneumatic compensator is extended to contact the product for additional stability and control while in motion.
- 4" Stroke for DBG50-2 (PU4-BU)
(Add option weight of 3.6kg [8 lbs] to base model)
- 6" Stroke for DBG100-2 (PU6-BU)
(Add option weight of 9kg [20 lbs] to base model)



SU(x) Spring Back-Up Option

- Simple, cost-effective solution.
- Compression springs keep a constant pressure on the product.
- Low cost solution maintains control of the product while in transport.
- Spring Back-Up Option for DBG50-2 (SU2)
(Add option weight of 2.9kg (6.4 lbs) to base model)
- Spring Back-Up Option for DBG100-2 (SU3)
(Add option weight of 5.6kg (12.4 lbs) to base model)

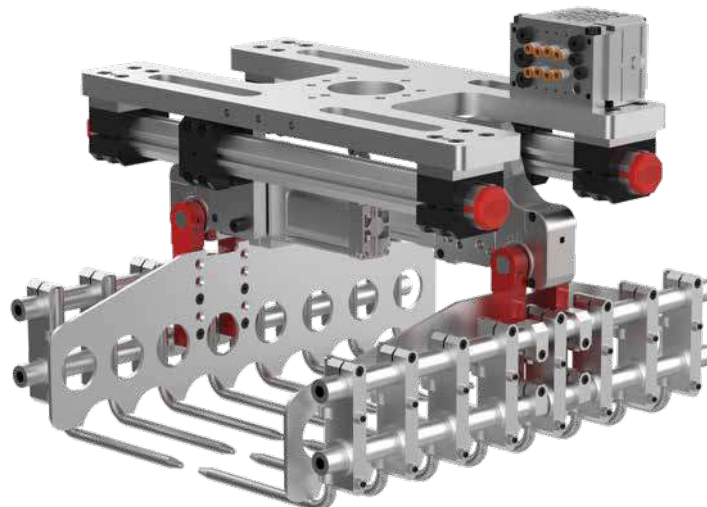


PP Pallet Pick Option

- To offer a complete solution, DESTACO has also included an optional 'Pallet Pick' which allows the customer to pick-up and move the empty pallet.
- Pallet Pick Option for DBG50-2
(Add option weight of 13kg [29 lbs] to base model)
- Pallet Pick Option for DBG100-2
(Add option weight of 22kg [48 lbs] to base model)

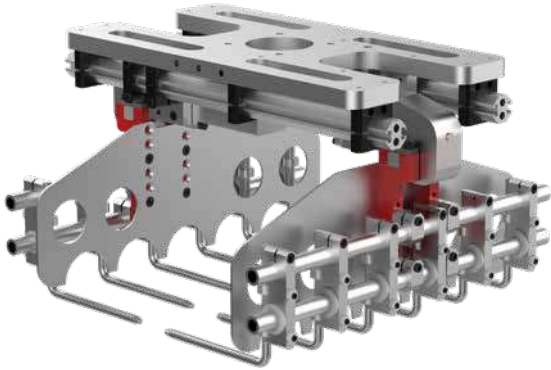
CP Controls Option

- Controls Options are configured based on the different bag gripper options ordered.
(Add option weight of 2.3kg [5 lbs] to base model)

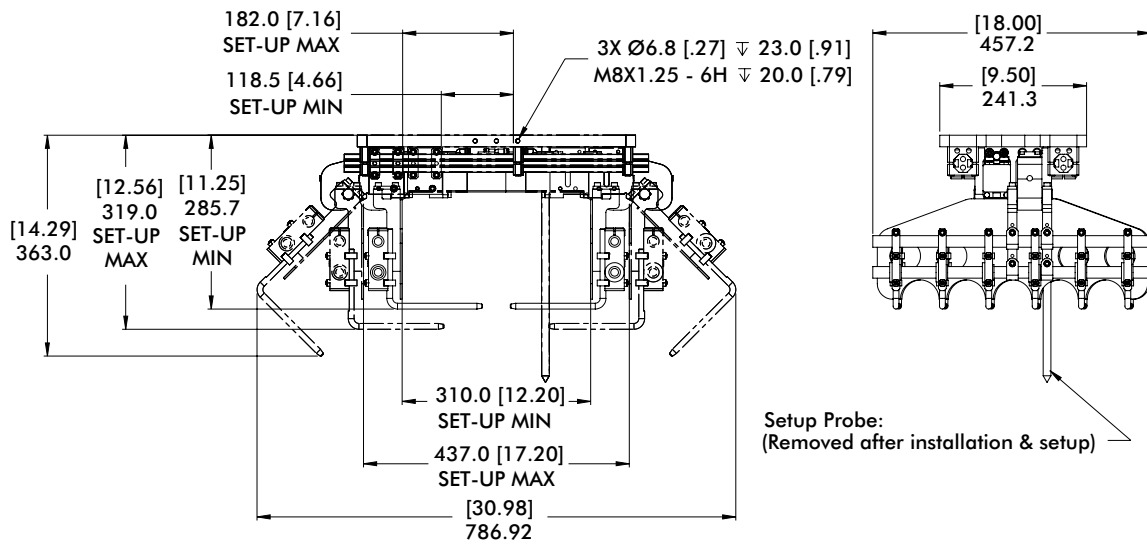
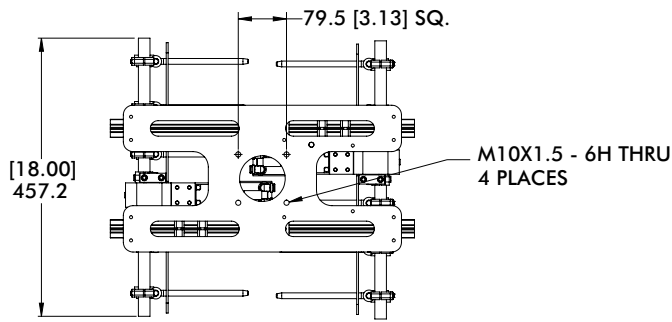


DBG50 SERIES

Bag Gripping and Palletizing Solutions | Dimensions



Model Number	Weight
DBG50-2	[38 lb] 17 kg

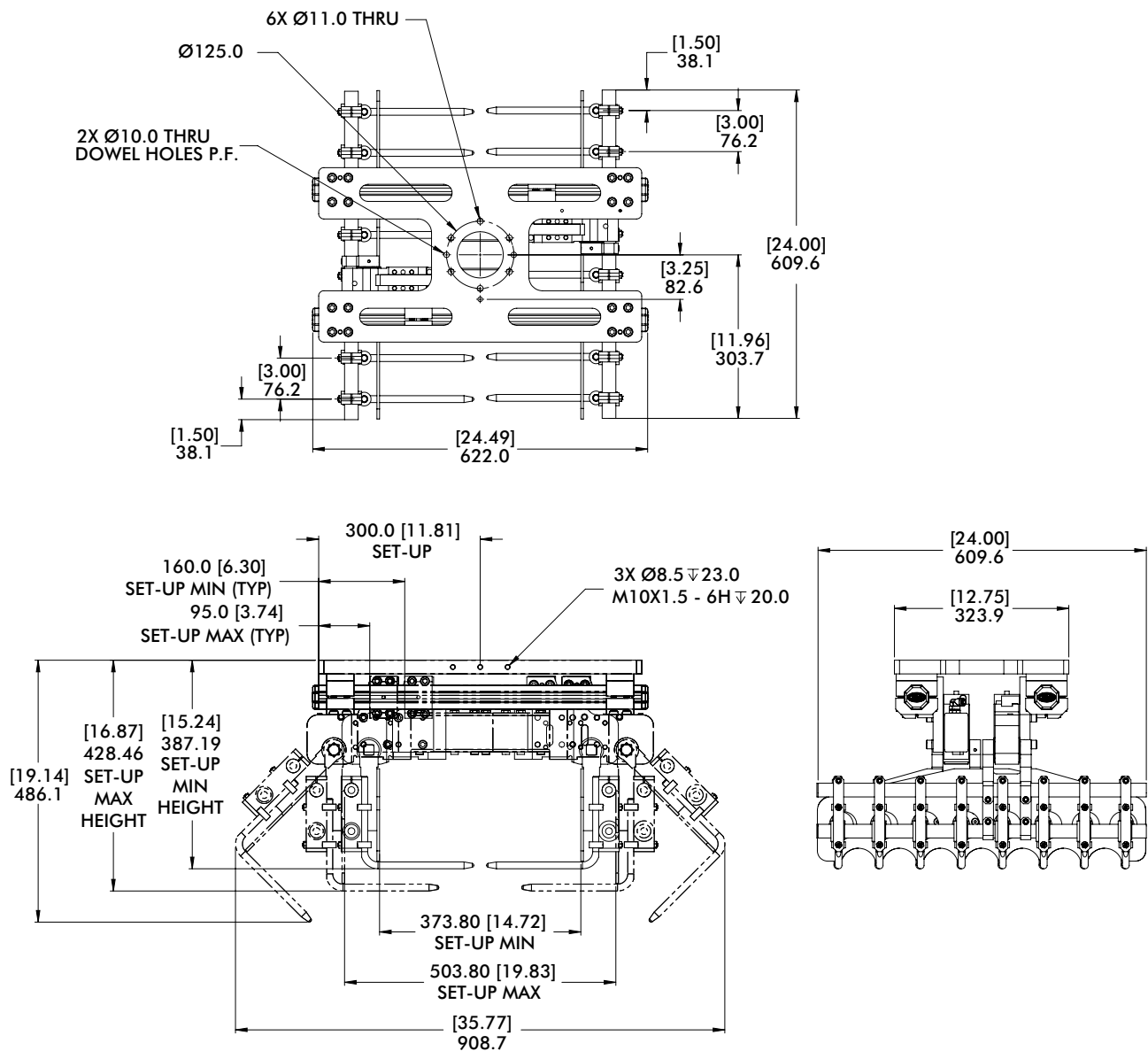
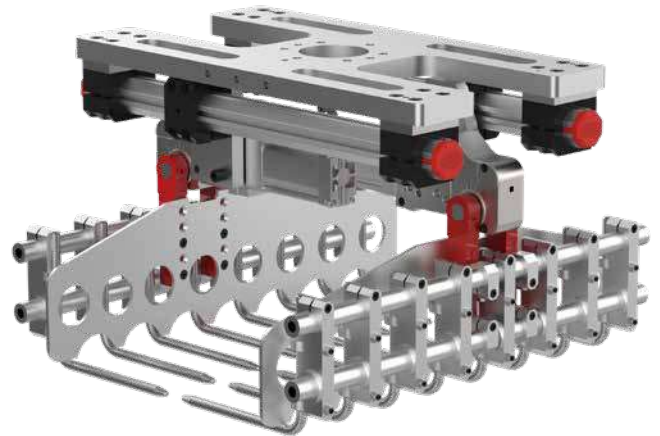


Note: mm/[Inches]

DBG100 SERIES

Bag Gripping and Palletizing Solutions | Dimensions

Model Number	Weight
DBG100-2	[95 lb] 43 kg

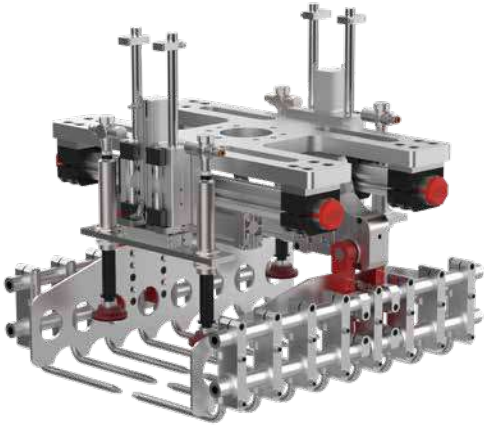


Note: mm/[Inches]

SLIP SHEET PICK AND PLACE OPTION

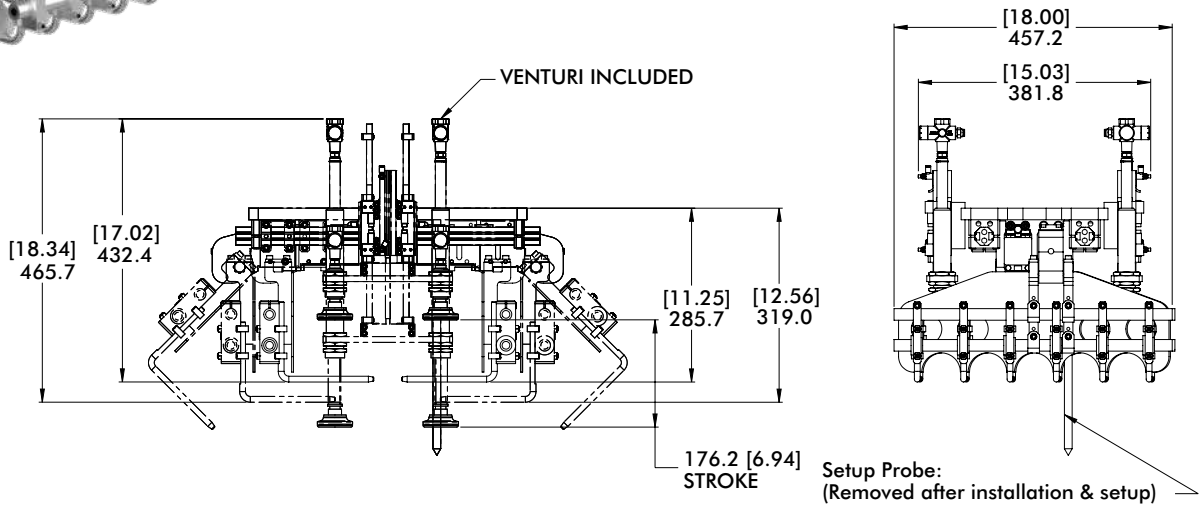
Bag Gripping and Palletizing Solutions | Dimensions

4.00" [101.6mm]



Model Number	Weight
DBG50-2-PU4-SP	[11 lb] 5 kg

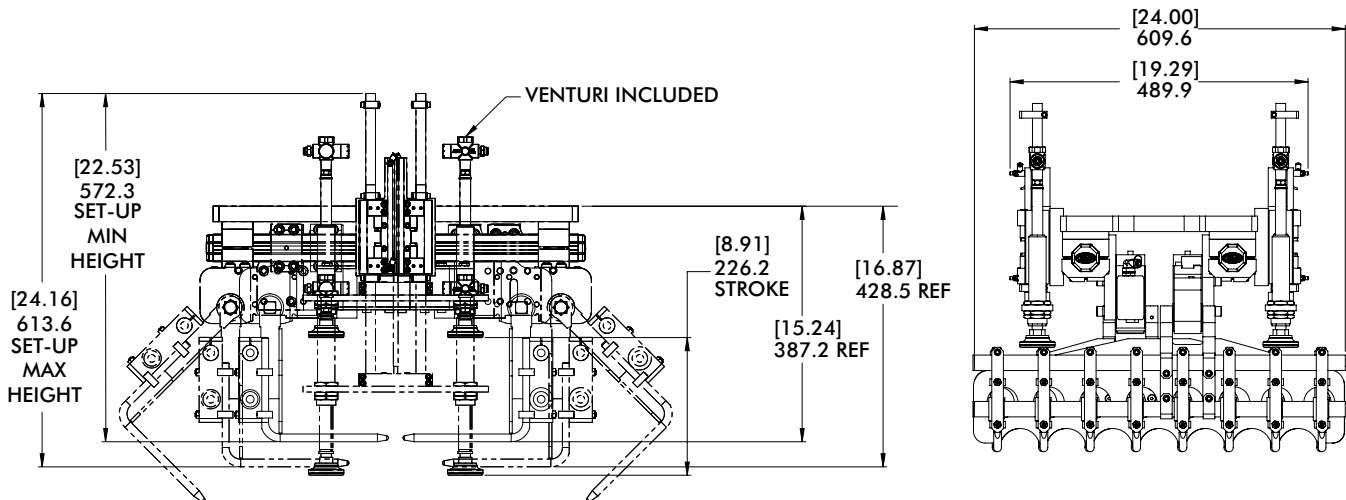
Add to base model weight



6.00" [152.4mm]

Model Number	Weight
DBG100-2-PU6-SP	[23 lb] 10 kg

Add to base model weight



Note: mm/[Inches]

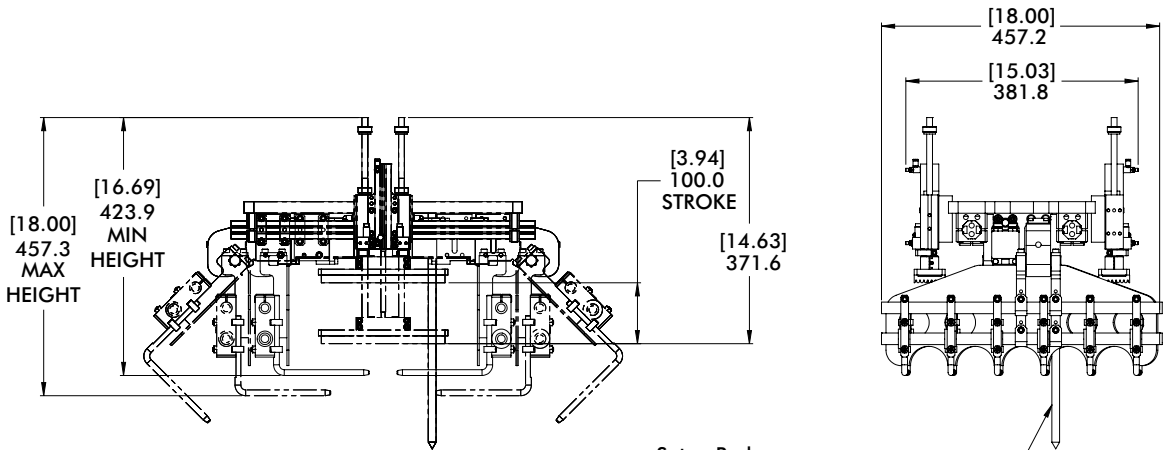
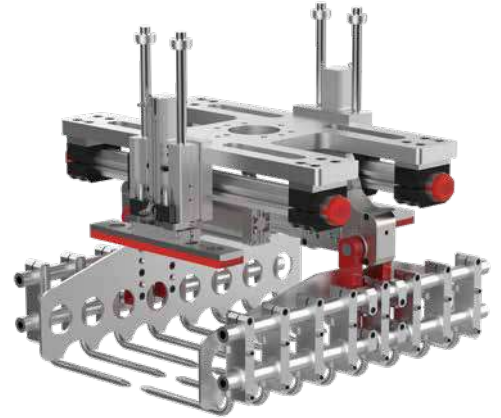
PNEUMATIC BACK-UP OPTION

Bag Gripping and Palletizing Solutions | Dimensions

4.00" [101.6mm]

Model Number	Weight
DBG50-2-PU4-BU	[8 lb] 3.6 kg

Add to base model weight

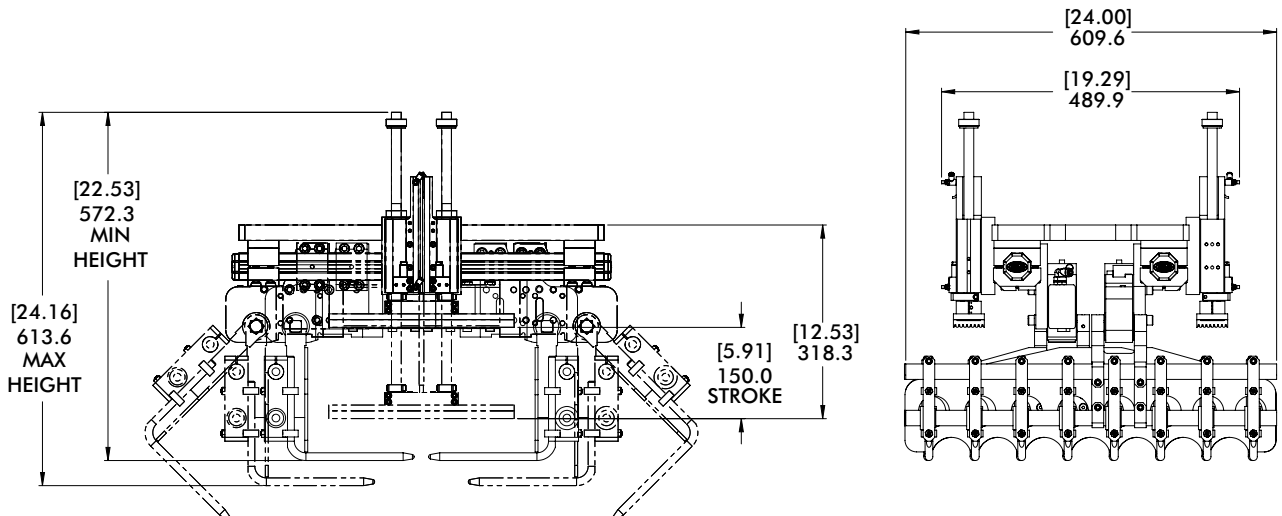


Setup Probe:
(Removed after installation & setup)

6.00" [152.4mm]

Model Number	Weight
DBG100-2-PU6-BU	[20 lb] 9 kg

Add to base model weight

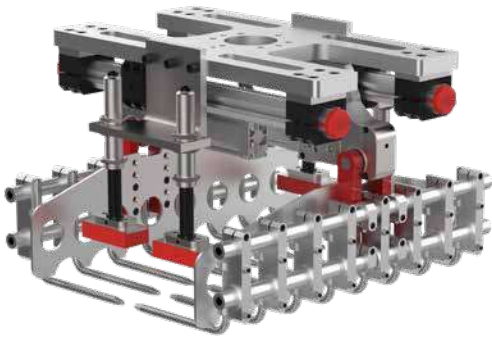


Note: mm/[Inches]

TRAVEL SPRING BACK-UP OPTION

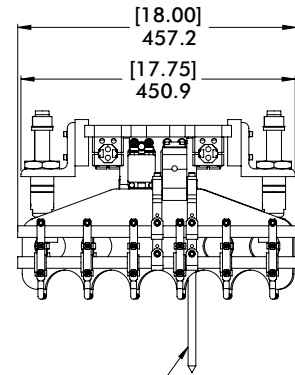
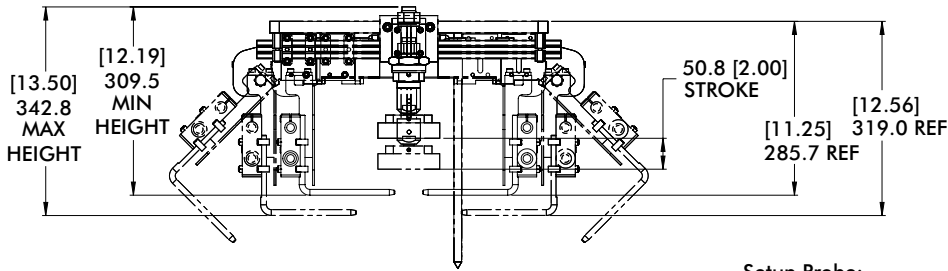
Bag Gripping and Palletizing Solutions | Dimensions

2.00" [50.8mm]



Model Number	Weight
DBG50-2-SU2	[6.4 lb] 2.9 kg

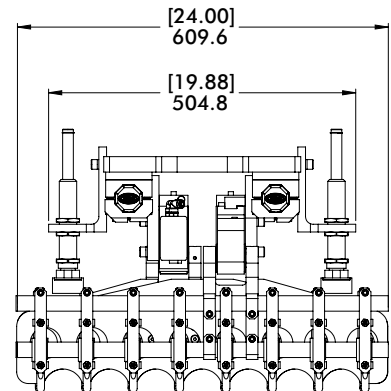
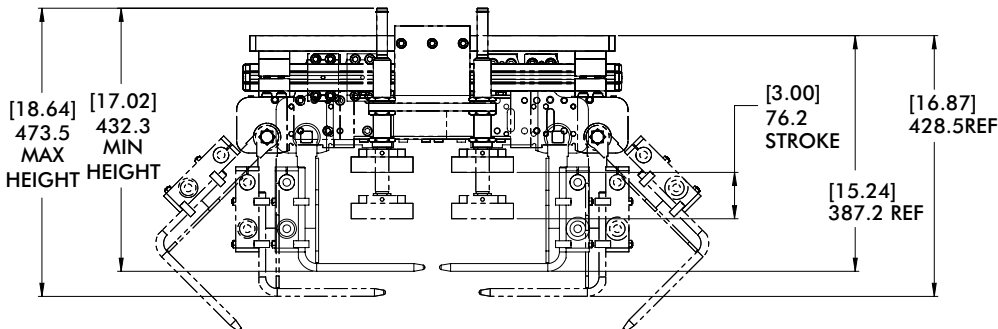
Add to base model weight



3.00" [76.2mm]

Model Number	Weight
DBG100-2-SU3	[12.4 lb] 5.6 kg

Add to base model weight



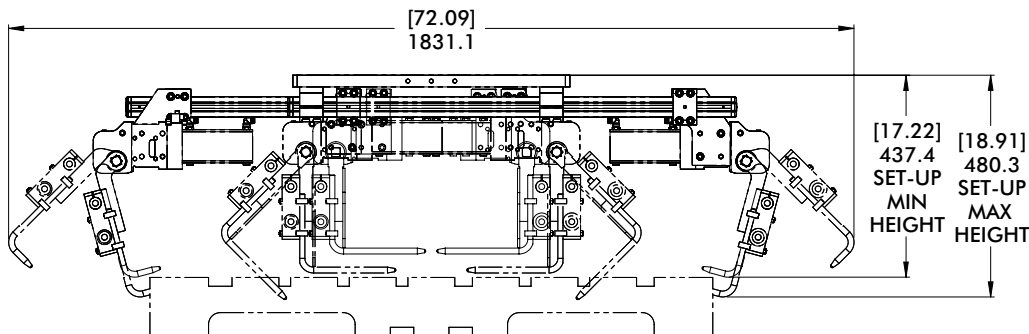
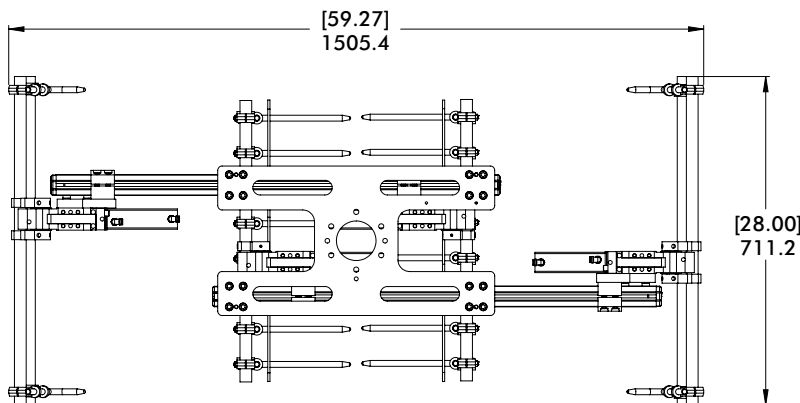
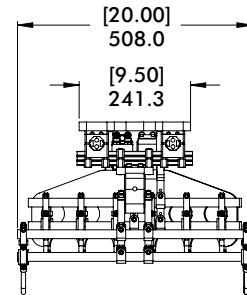
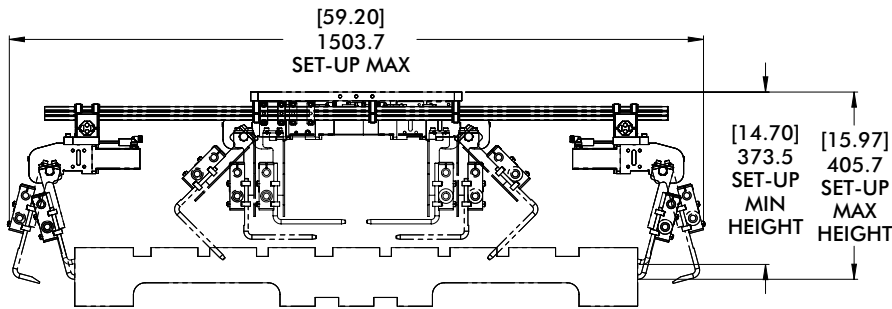
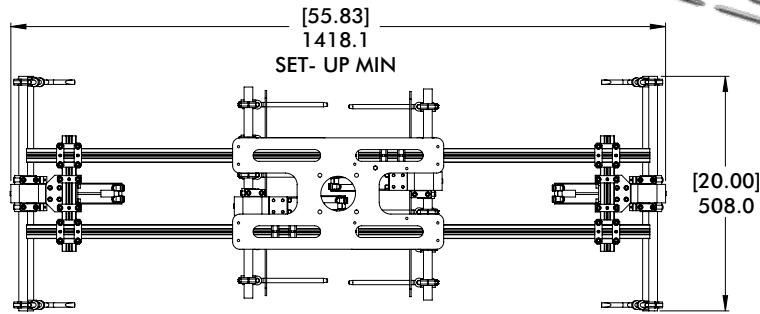
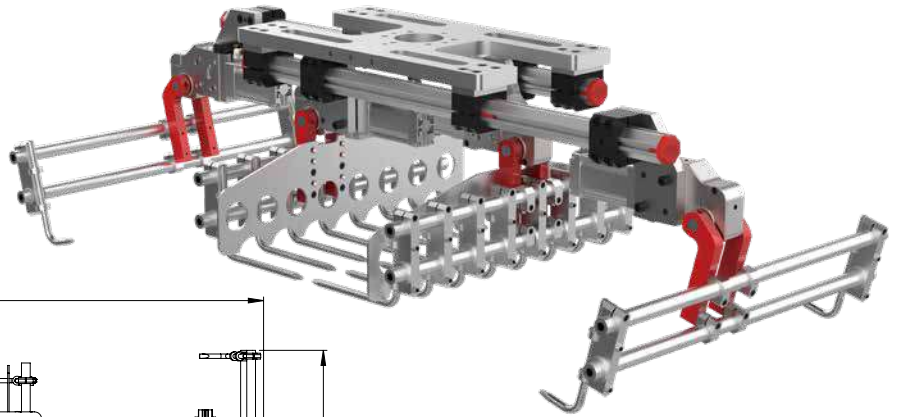
Note: mm/[Inches]

PALLET PICK AND PLACE OPTION

Bag Gripping and Palletizing Solutions | Dimensions

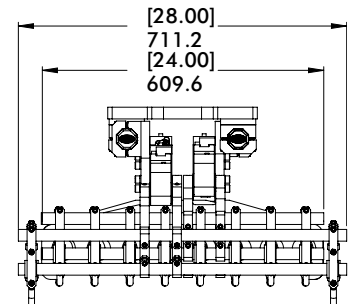
Model Number	Weight
DBG50-2-PP	[29 lb] 13 kg

Add to base model weight



Model Number	Weight
DBG100-2-PP	[48 lb] 22 kg

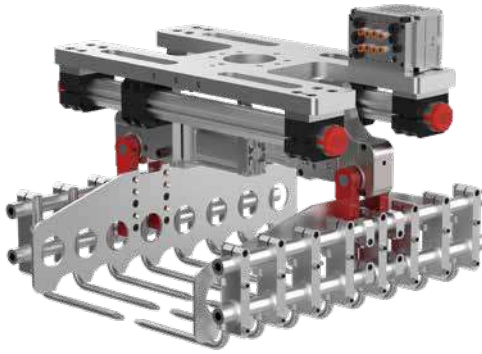
Add to base model weight



Note: mm/[Inches]

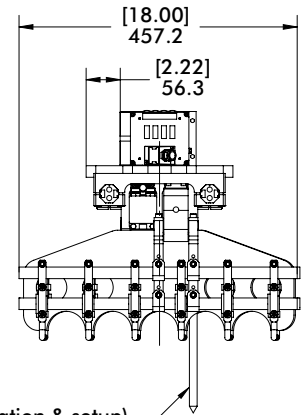
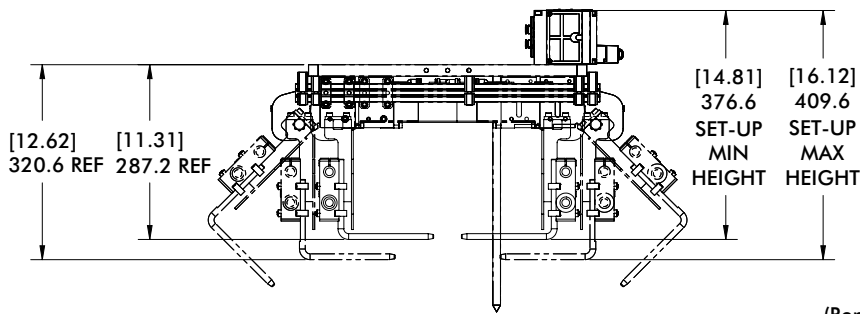
CONTROLS AND VALVE PACKAGE OPTION

Bag Gripping and Palletizing Solutions | Dimensions



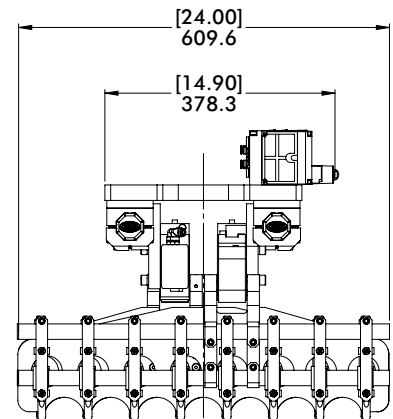
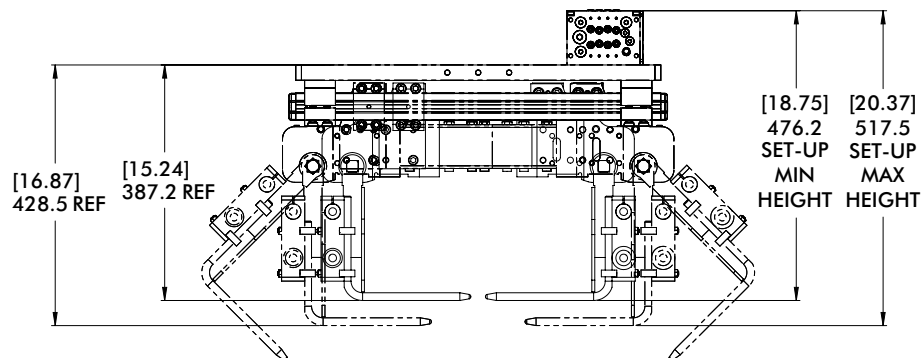
Model Number	Weight
DBG50-2-CP	[5 lb] 2.3 kg

Add to base model weight



Model Number	Weight
DBG100-2-CP	[5 lb] 2.3 kg

Add to base model weight

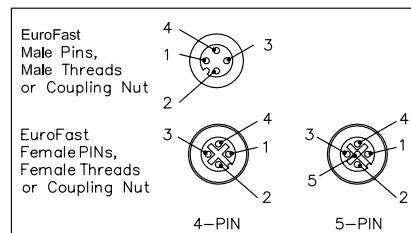
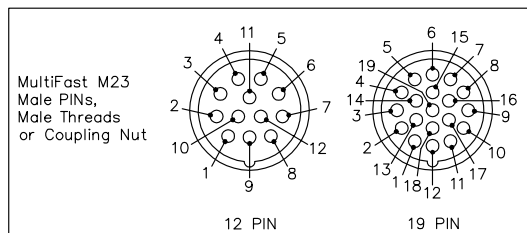
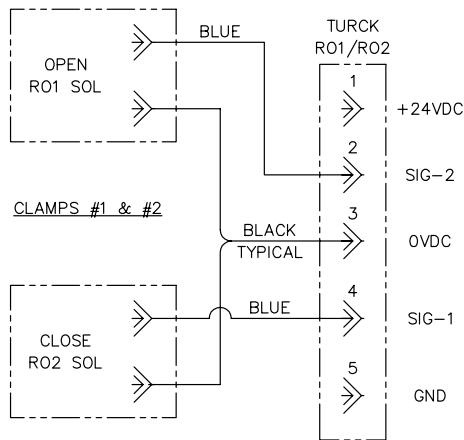
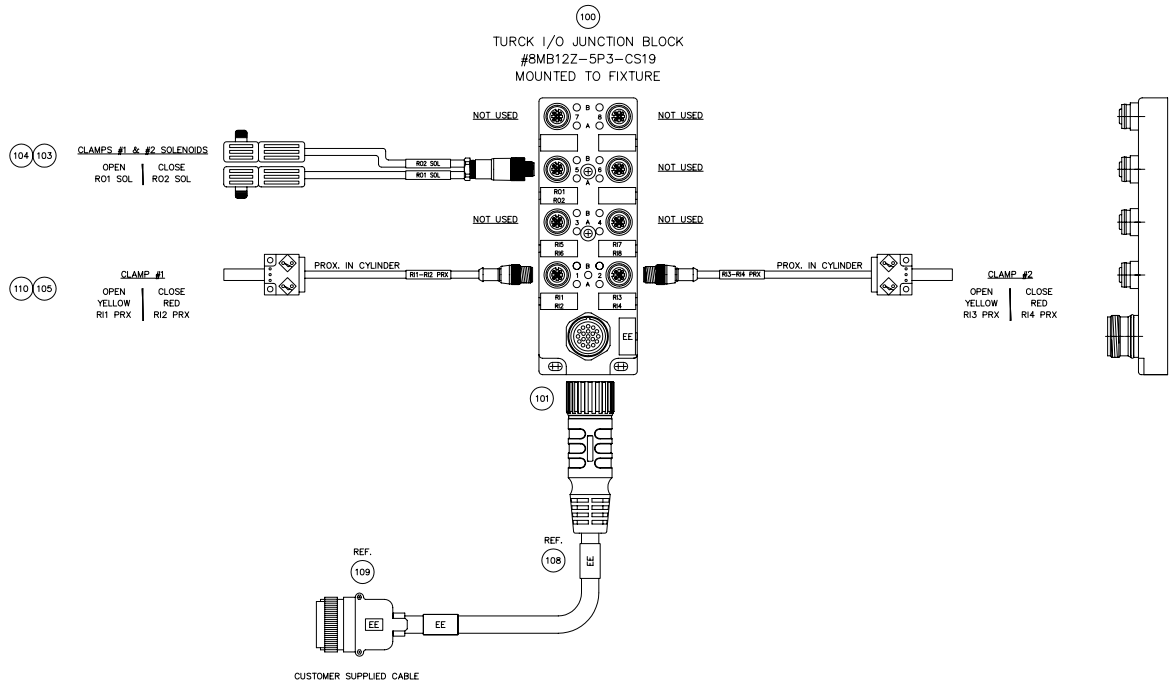


Note: mm/[Inches]

DBG-2-CP-KIT CONTROLS PACKAGE

Bag Gripping and Palletizing Solutions | Dimensions | Technical Specifications

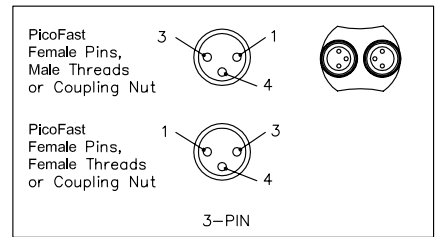
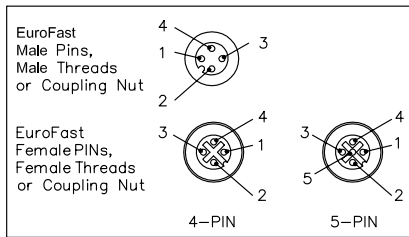
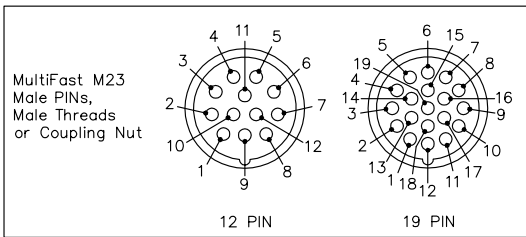
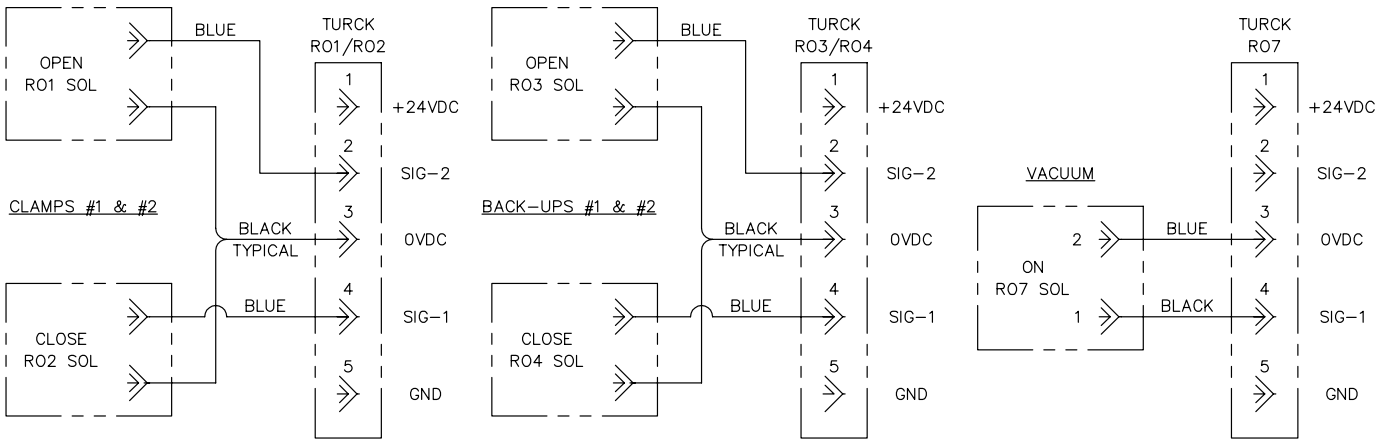
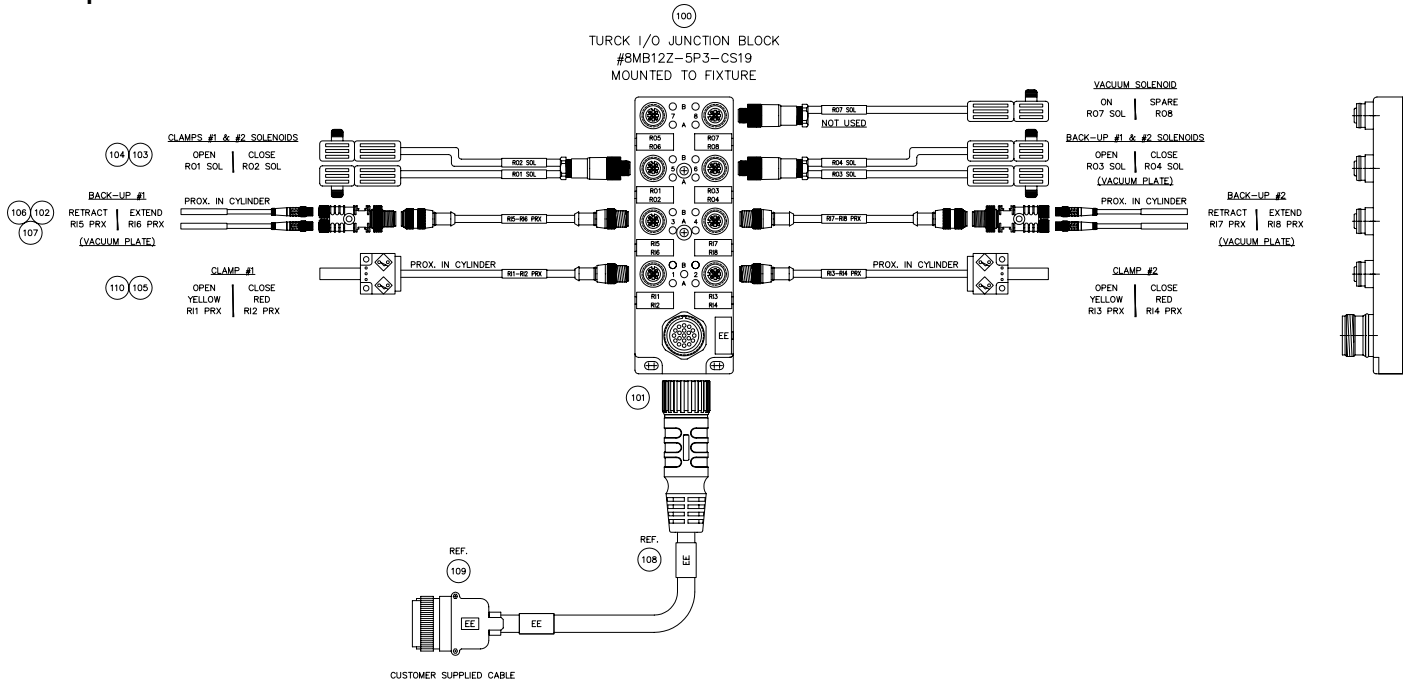
For Base Model



DBG-2-CP-PU-SP-KIT CONTROL PACKAGE

Bag Gripping and Palletizing Solutions | Dimensions | Technical Specifications

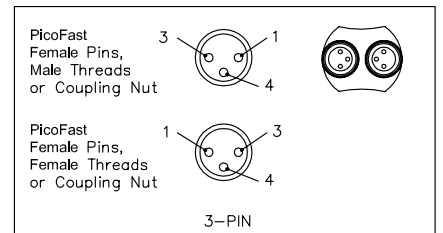
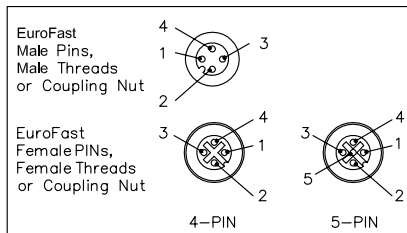
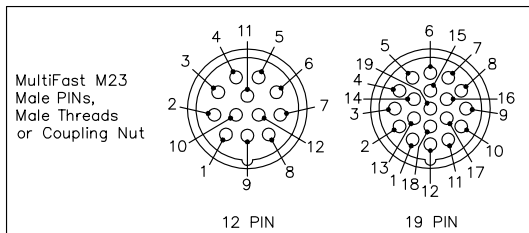
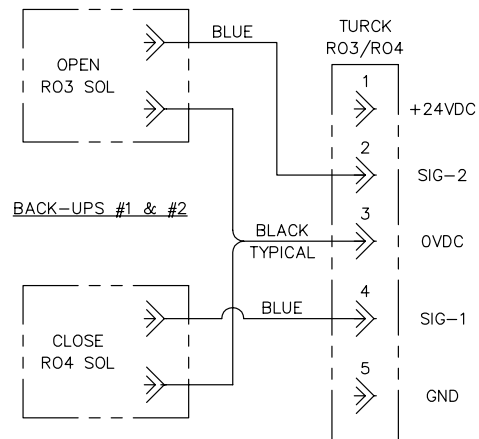
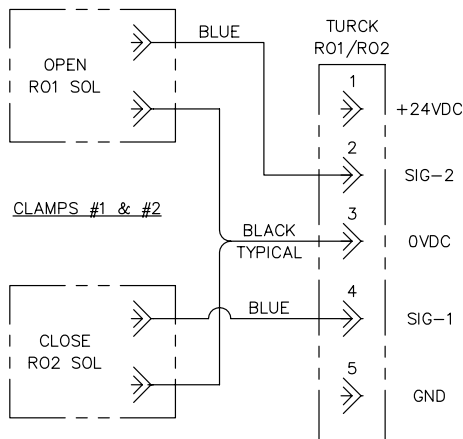
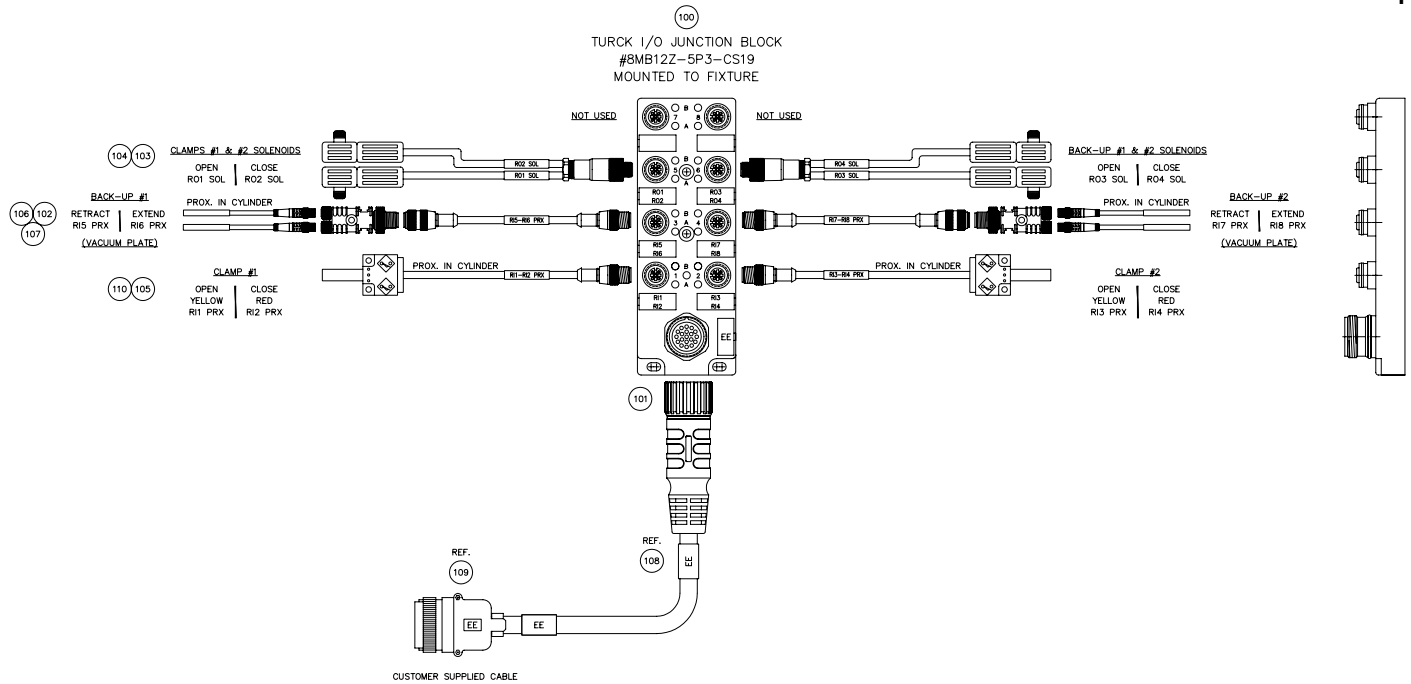
For Slip Sheet Pick and Place



DBG-2-CP-PU-BU-KIT CONTROLS PACKAGE

Bag Gripping and Palletizing Solutions | Dimensions | Technical Specifications

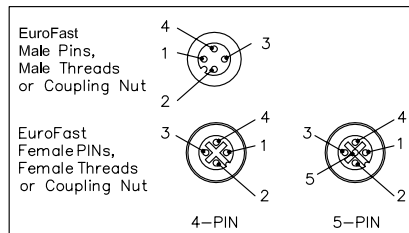
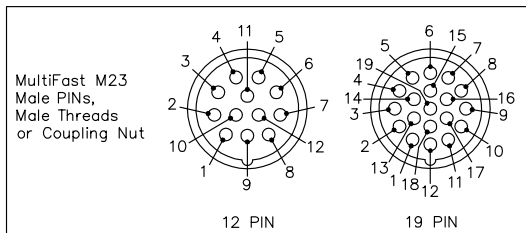
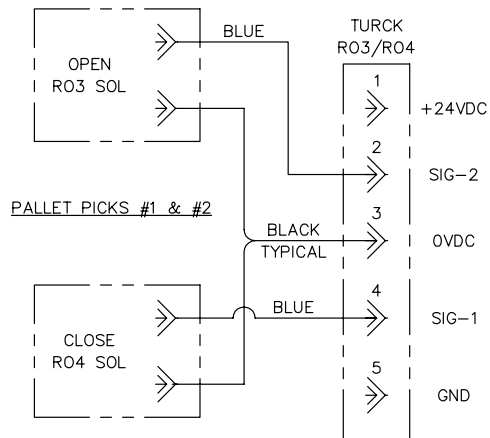
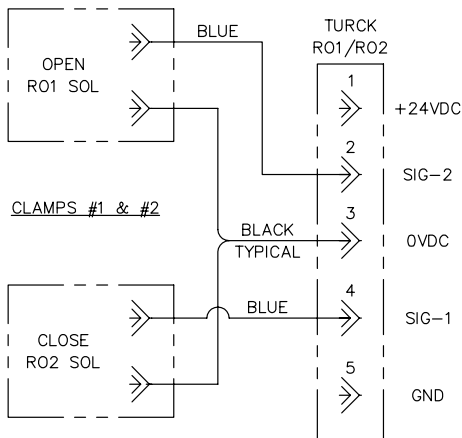
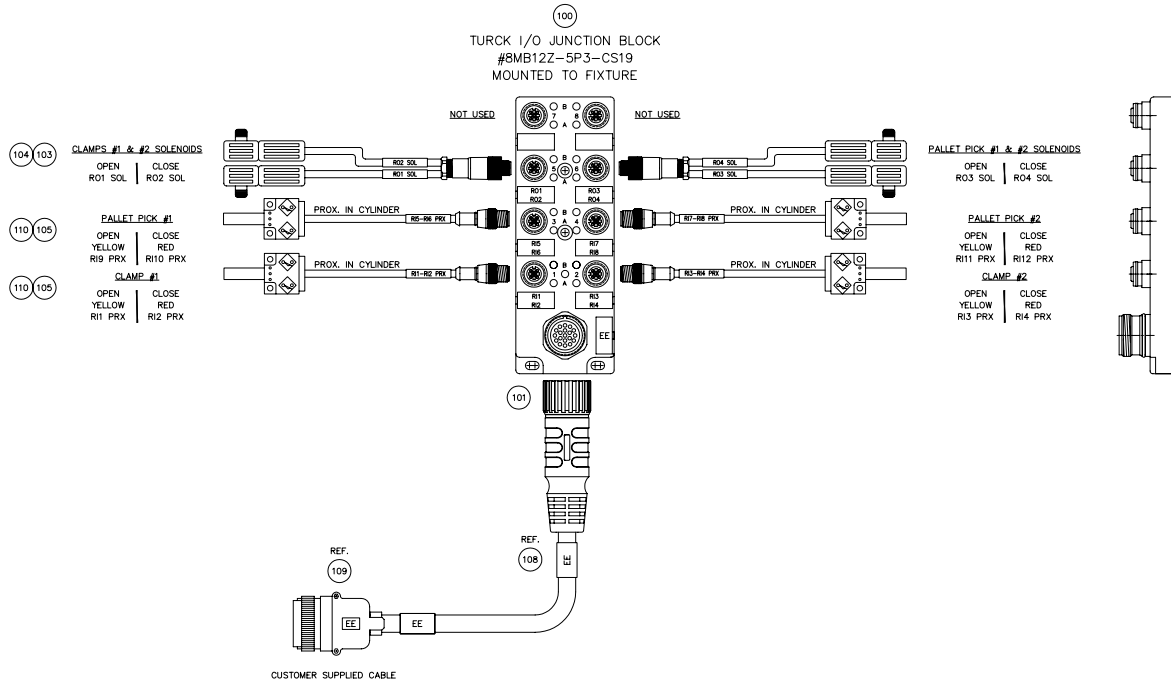
For Pneumatic Back-up



DBG-2-CP-PP-KIT CONTROLS PACKAGE

Bag Gripping and Palletizing Solutions | Dimensions | Technical Specifications

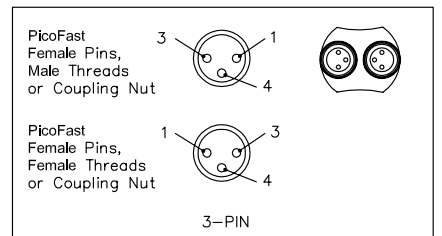
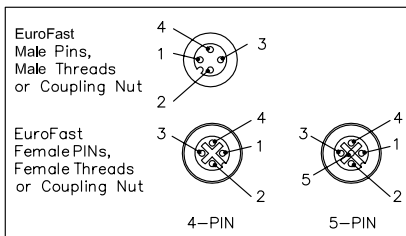
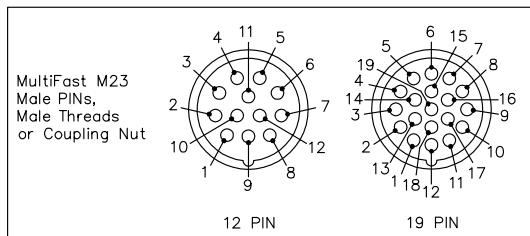
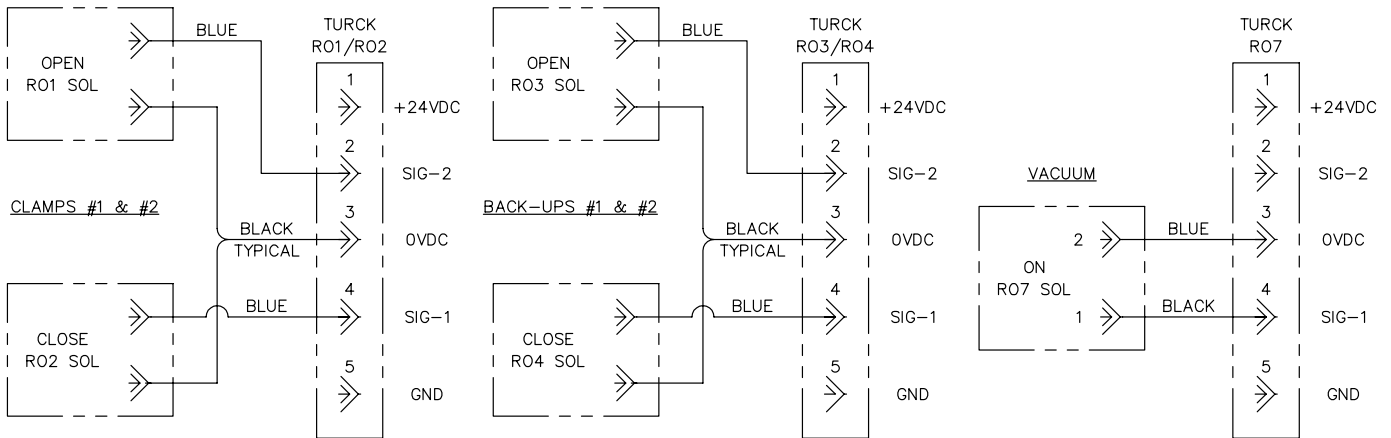
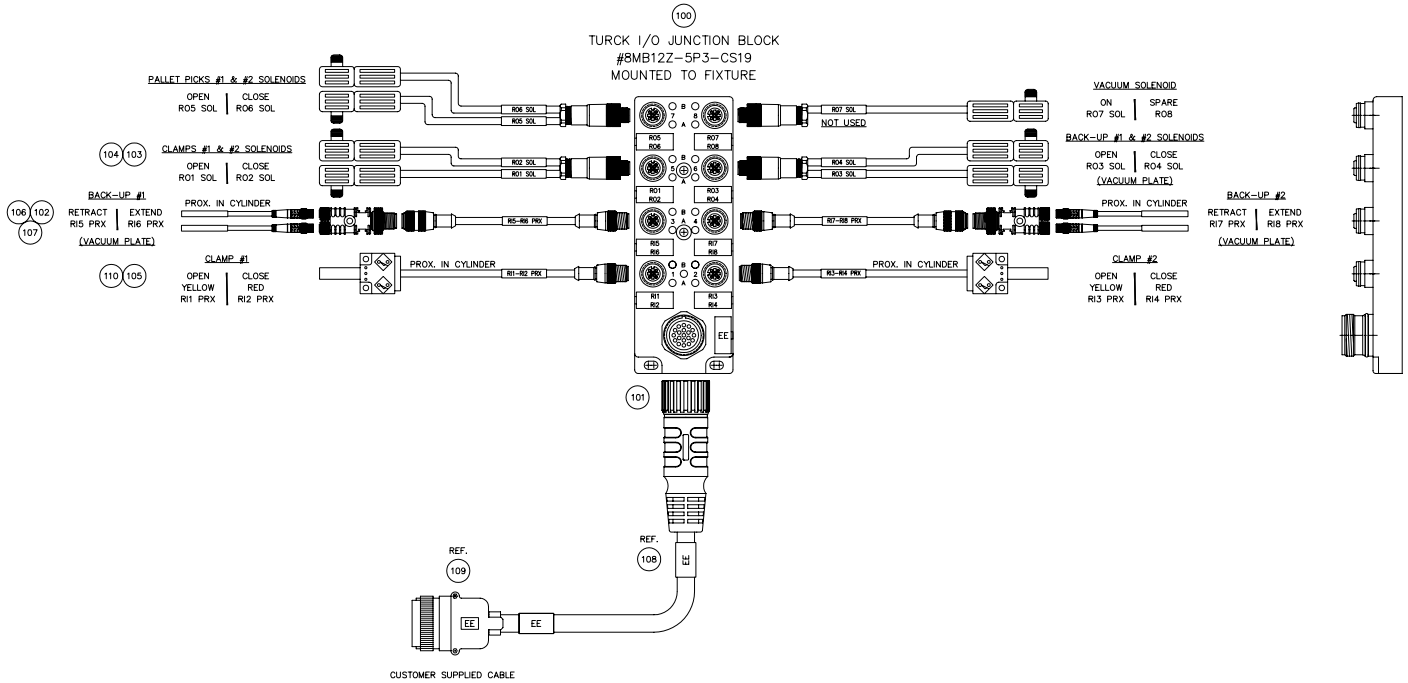
For Pallet Pick and Place



DBG-CP-PU-SP-PP-KIT CONTROLS PACKAGE

Bag Gripping and Palletizing Solutions | Dimensions | Technical Specifications

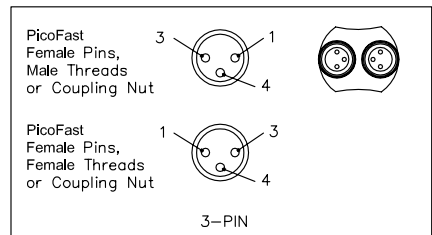
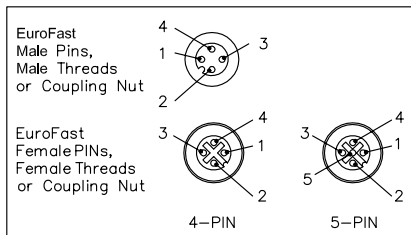
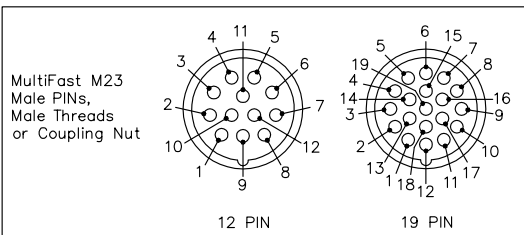
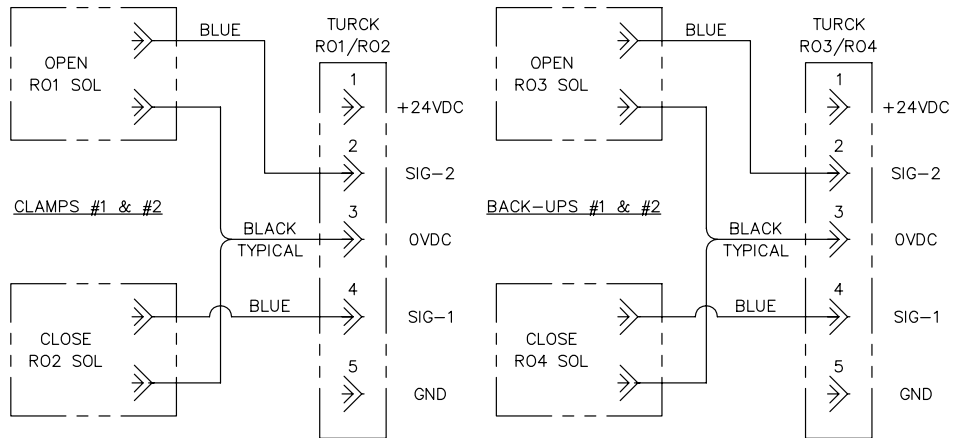
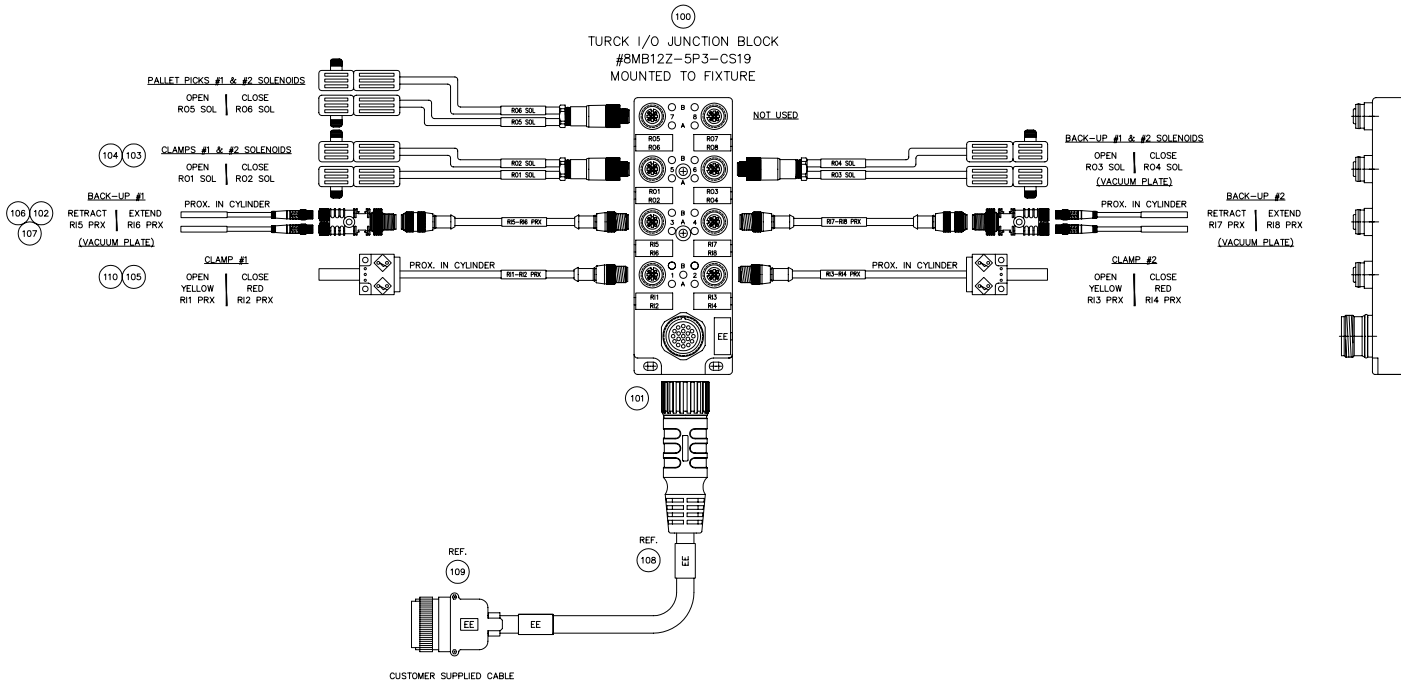
For Pallet Pick and Place/Slip Sheet Pick and Place



DBG-CP-PU-BU-PP-KIT CONTROLS PACKAGE

Bag Gripping and Palletizing Solutions | Dimensions | Technical Specifications

For Pallet Pick and Place/Pneumatic Back-up



ROBOT STAND-OFF ADAPTOR

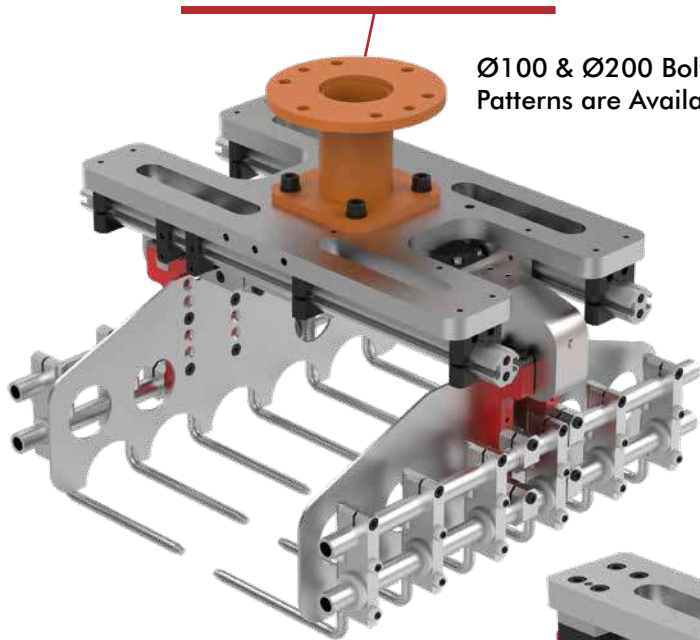
Bag Gripping and Palletizing Solutions | Product Overview

(Sold Separately)

- Aluminum welded construction
- Painted safety orange
- Available in 100, 125, 160 & 200mm bolt circles
(Custom stand-offs available upon request)
- Bolts for mounting to bag gripper are included

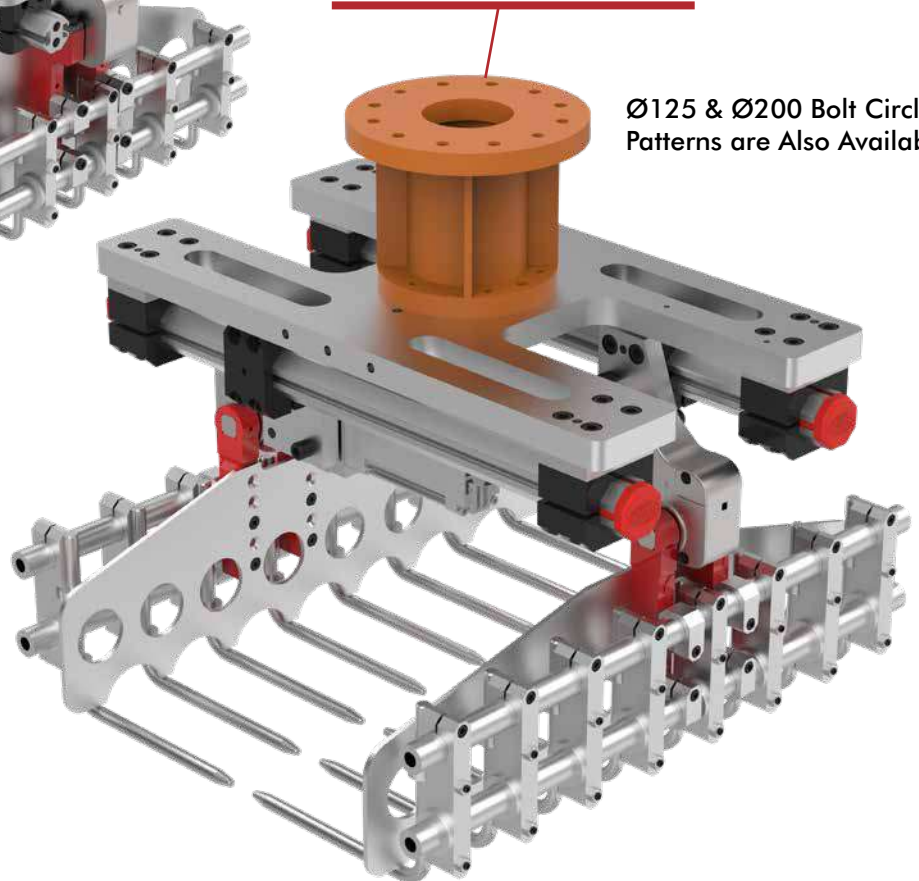
Robot Mount Stand-Off
with $\text{\O}125$ Bolt Circle Pattern
DBG50-2-S04-125BC-KIT

$\text{\O}100$ & $\text{\O}200$ Bolt Circle
Patterns are Available



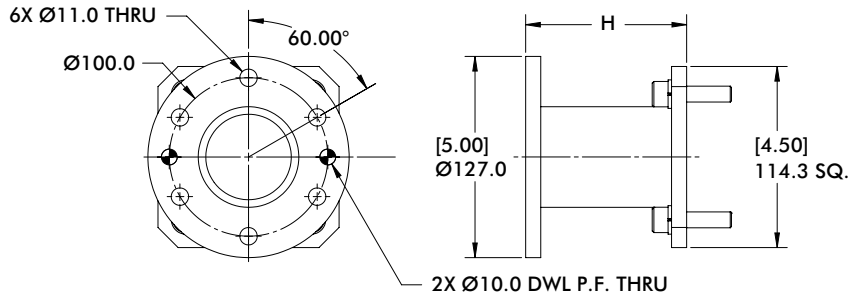
Robot Mount Stand-Off
with $\text{\O}160$ Bolt Circle Pattern
DBG100-2-S04-160BC-KIT

$\text{\O}125$ & $\text{\O}200$ Bolt Circle
Patterns are Also Available



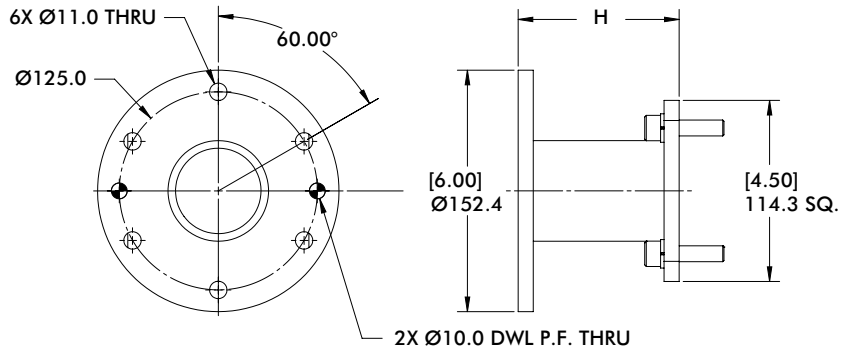
ROBOT STAND-OFF ADAPTOR

Bag Gripping and Palletizing Solutions | Dimensions | Technical Specifications



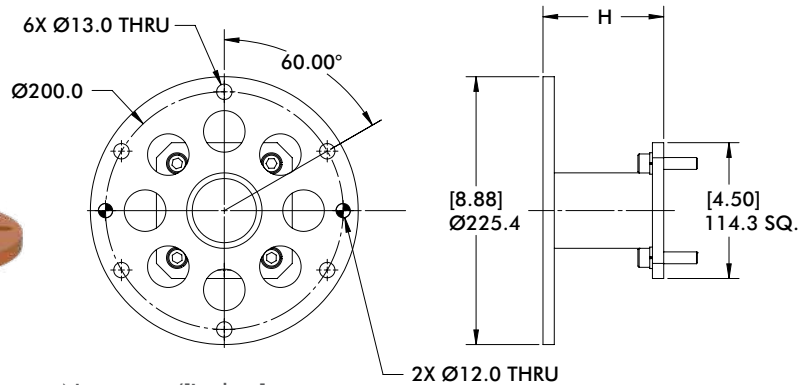
Model Number	H [inch]/mm	Weight
DBG50-2-S04-100BC-KIT	[4.00] 101.6	[4.8 lb] 2.2 kg
DBG50-2-S06-100BC-KIT	[6.00] 152.4	[5.5 lb] 2.5 kg

Material: Aluminum painted safety orange
(4) M10 SHCS & Lock washers included



Model Number	H [inch]/mm	Weight
DBG50-2-S04-125BC-KIT	[4.00] 101.6	[5.7 lb] 2.6 kg
DBG50-2-S06-125BC-KIT	[6.00] 152.4	[6.5 lb] 2.9 kg

Material: Aluminum painted safety orange
(4) M10 SHCS & Lock washers included



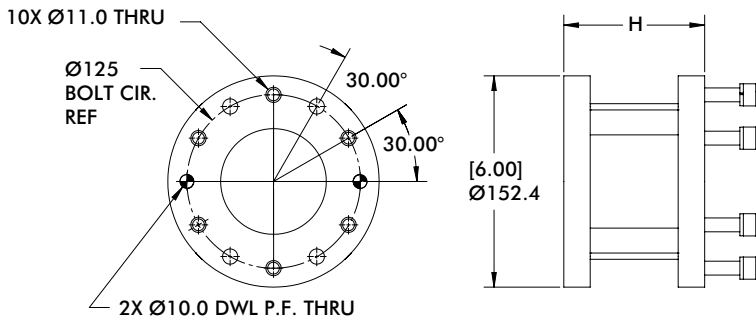
Note: mm/[Inches]

Model Number	H [inch]/mm	Weight
DBG50-2-S04-200BC-KIT	[4.00] 101.6	[7.9 lb] 3.6 kg
DBG50-2-S06-200BC-KIT	[6.00] 152.4	[8.7 lb] 3.9 kg

Material: Aluminum painted safety orange
(4) M10 SHCS & Lock washers included

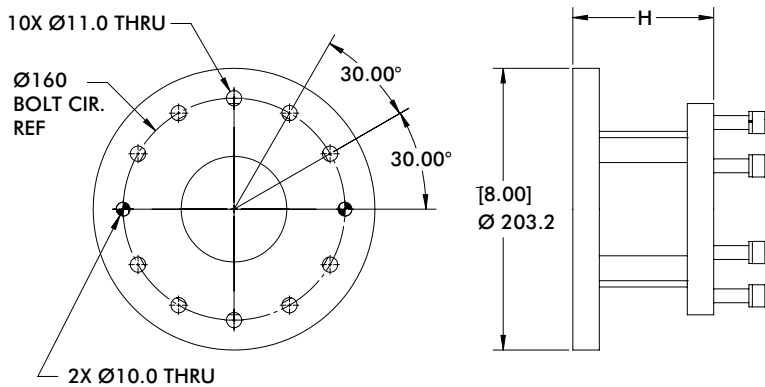
ROBOT STAND-OFF ADAPTOR

Bag Gripping and Palletizing Solutions | Dimensions | Technical Specifications



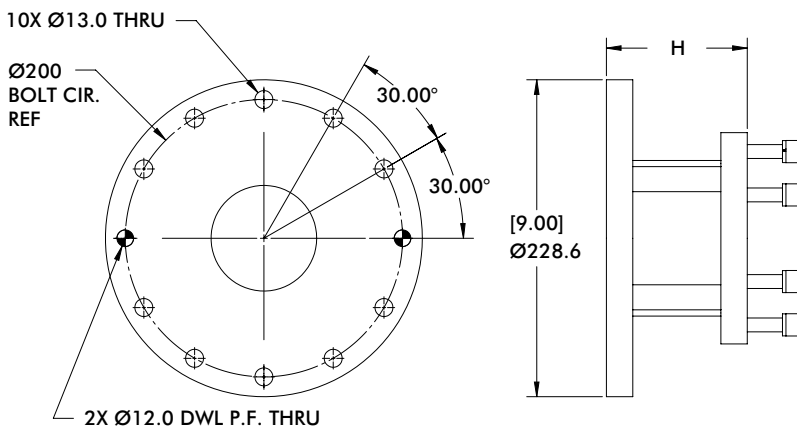
Model Number	H [inch]/mm	Weight
DBG100-2-S04-125BC-KIT	[4.00] 101.6	[4.4 lb] 2.0 kg
DBG100-2-S06-125BC-KIT	[6.00] 152.4	[5.2 lb] 2.4 kg

Material: Aluminum painted safety orange
(6) M10 SHCS & Lock washers included



Model Number	H [inch]/mm	Weight
DBG100-2-S04-160BC-KIT	[4.00] 101.6	[6.0 lb] 2.7 kg
DBG100-2-S06-160BC-KIT	[6.00] 152.4	[6.8 lb] 3.1 kg

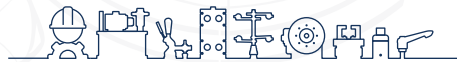
Material: Aluminum painted safety orange
(6) M10 SHCS & Lock washers included



Note: mm/[Inches]

Model Number	H [inch]/mm	Weight
DBG100-2-S04-200BC-KIT	[4.00] 101.6	[6.9 lb] 3.1 kg
DBG100-2-S06-200BC-KIT	[6.00] 152.4	[7.7 lb] 3.5 kg

Material: Aluminum painted safety orange
(6) M10 SHCS & Lock washers included



inf @ /CESEHSA.com.mx

