

2013 SERIES

Horizontal Hold Down Clamps | Product Overview

Features:

- Increased handle clearance reduces pinch points
- Common mounting hole pattern to Model 213
- Fixed handle pivot provides smooth action
- Nearly 2 times the holding capacity Model 213
- BLK models feature a black, non-reflective finish
- 5 handle colors - see page MC-PRO-7 for details

Applications:

- Checking fixtures
- Assembly & test
- Light machining
- Woodworking
- Closures

Also Available:

See page MC-ACC-1 for accessories
Accommodates M5 or #10 spindle accessory

Covered under one or more U.S./International Patents

2013-U
Flanged Base
U-Bar



2013-U-LS-BLK ⓘ
Blackout Series
Flanged Base
U-Bar



2013-UR
Flanged Base
U-Bar
DESTACO®
Toggle Lock
Plus™



Color Handles
Available on models in this series that use standard red handles.* Add **-Y, -G, -B, -K** to end of model number.

*Excludes Blackout Series, Toggle Lock Plus levers.



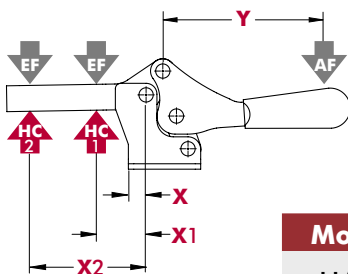
ⓘ This item is available upon request

Technical Information

Model	Max. Holding Capacity	Clamp Bar Opening (+10°)	Handle Opening (+10°)	Weight	Accessories (Supplied)	
					Spindle Assembly	Flanged Washers
2013-U	1310 N [295 lbf]	71°	58°	0,17 kg [0.37 lb]	2013208-M	102111
2013-U-LS-BLK ⓘ					--	102111-BLK
2013-UR					2013208-M	102111

ⓘ This item is available upon request

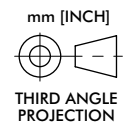
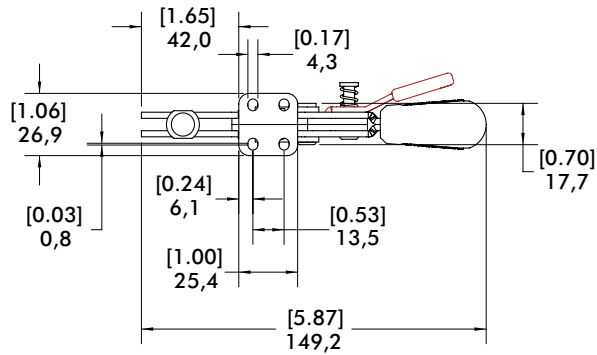
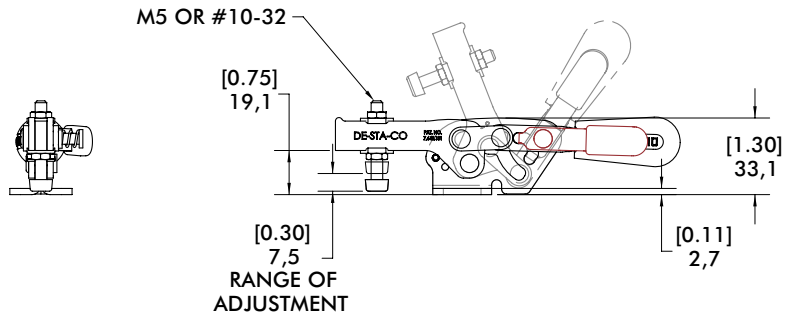
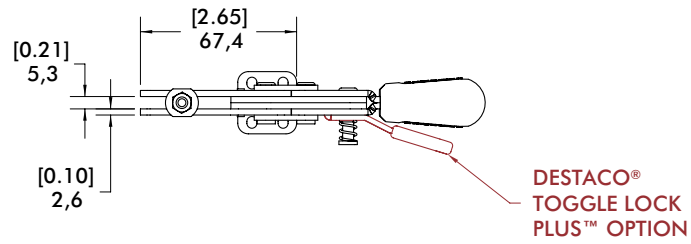
Holding Capacities

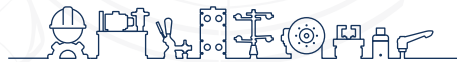


Model	X	X1	X2	Y	‡HC1	‡HC2	‡EF(X1):AF	‡EF(X2):AF
U/UR	[0.63] 16	[0.95] 24	[1.95] 49,5	[2.34] 59,5	[295 lbf] 1310 N	[175 lbf] 780 N	6:1	4:1

Dimensions shown "mm [inch]" ‡ HC = Holding Capacity, EF = Exerting Force, AF = Applied Force
See page MC-TEC-4 for additional information.

2013-U
Flanged Base
U-Bar





inf @ /CESEHSA.com.mx

