

84N1, 84N2 MOUNTS

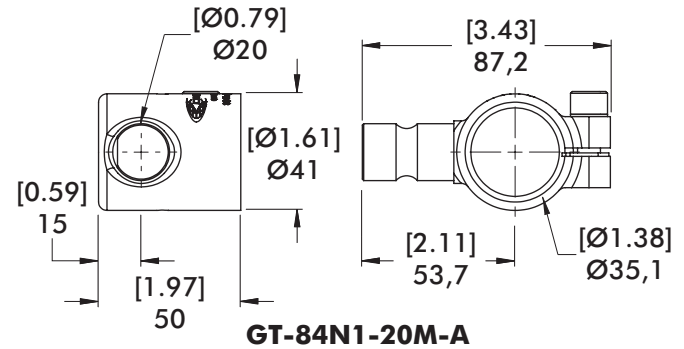
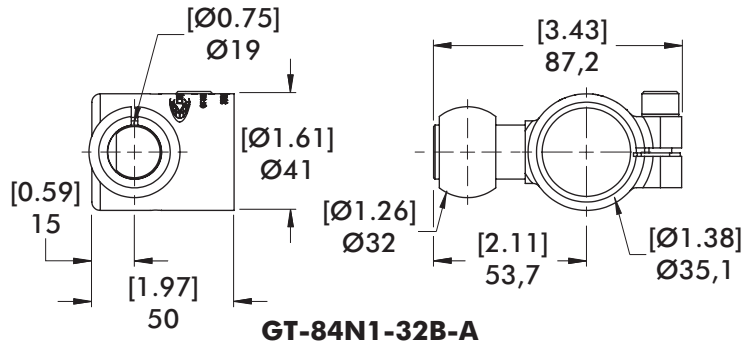
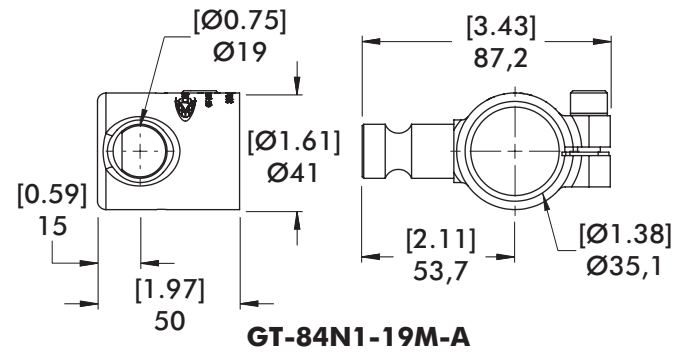
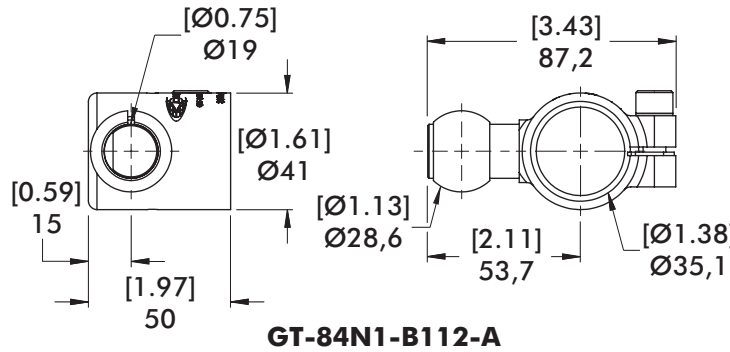
Accelerate® Press Shop Sheet Metal Grippers | Dimensions and Ordering Information

Side Ball and Apple Core Mounts

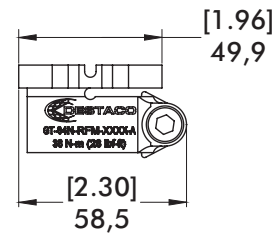
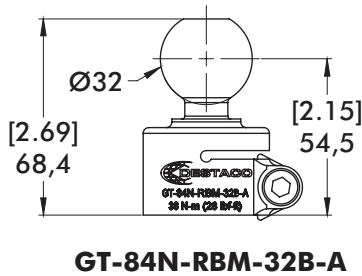
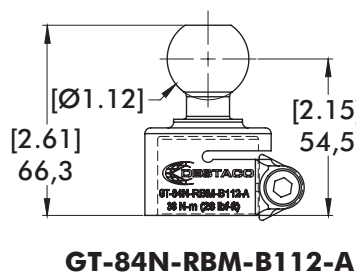
Side Ball



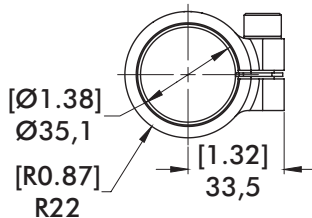
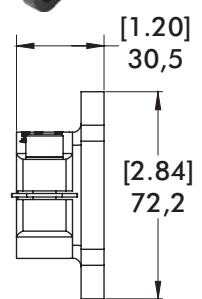
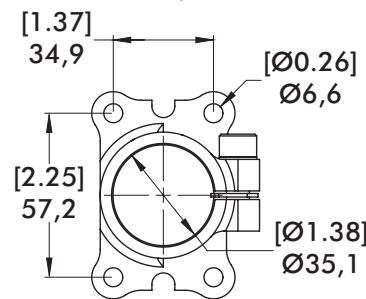
Apple Core



Rear Ball and Flange Mounts



Rear Flange



Rear Ball



Side Ball and Apple Core

Part

- 1.125 in. (28.5mm) Side Ball
- 32mm Side Ball
- 19mm Applecore
- 20mm Applecore

- GT-84N1-B112-A**
- GT-84N1-32B-A**
- GT-84N1-19M-A**
- GT-84N1-20M-A**

Rear Ball and Flange

Part

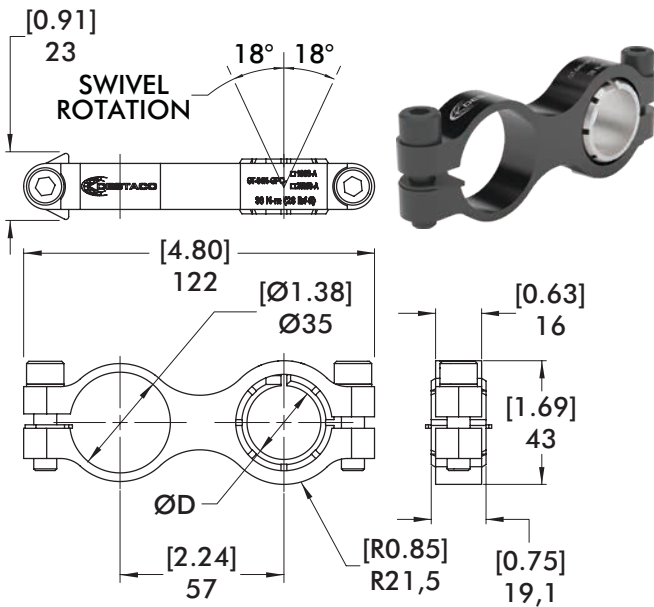
- 1.125 in. (28.5mm) Rear Ball
- 32mm Rear Ball
- Rear Flange

- GT-84N-RBM-B112-A**
- GT-84N-RBM-32B-A**
- GT-84N-RFM-2213-A**

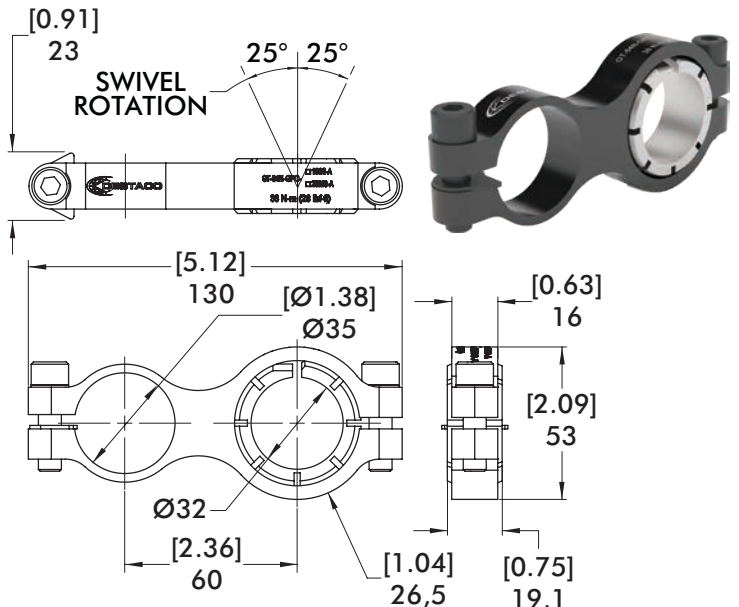
84N1, 84N2 MOUNTS

Accelerate® Press Shop Sheet Metal Grippers | Dimensions and Ordering Information

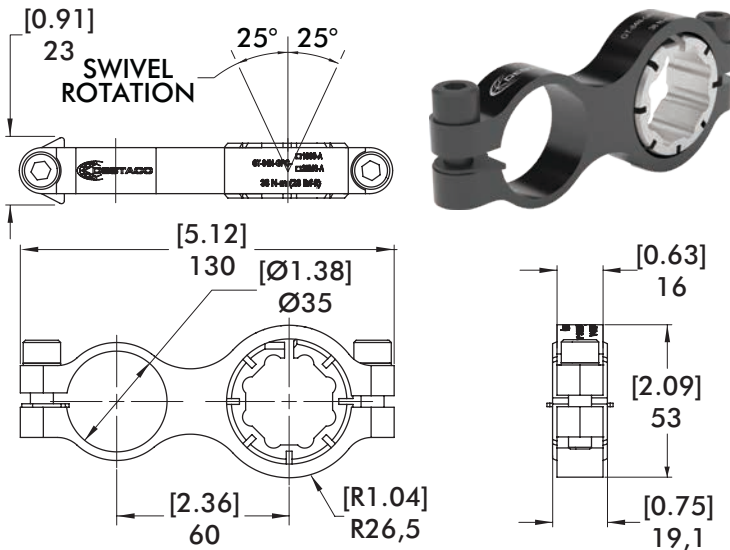
Parallel Swivel Mounts



ØD=1.00 in. **GT-84N-GPC-100S-A**
 ØD=25mm **GT-84N-GPC-25MS-A**



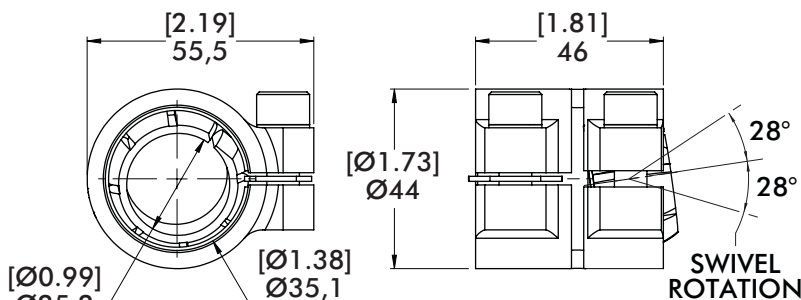
GT-84N-GPC-125S-A



GT-84N-GPC-30BBS-A

Parallel Swivel Mount	Part #
1 in. Swivel Mount	GT-84N-GPC-100S-A
1-1/4 in. Swivel Mount	GT-84N-GPC-125S-A
25mm Swivel Mount	GT-84N-GPC-25MS-A
30mm Body Builder Swivel Mount	GT-84N-GPC-30BBS-A

Rear Swivel Mount



GT-84N-RSM-25MS-A



Rear Swivel Mount	Part #
25mm Swivel Mount	GT-84N-RSM-25MS-A

84N5 MOUNTS

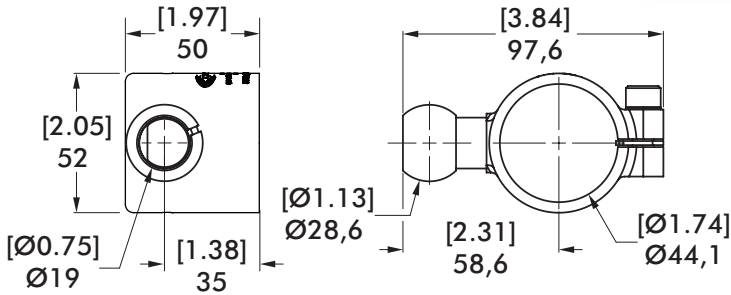
Accelerate® Press Shop Sheet Metal Grippers | Dimensions and Ordering Information

Side Ball and Apple Core Gripper Mounts

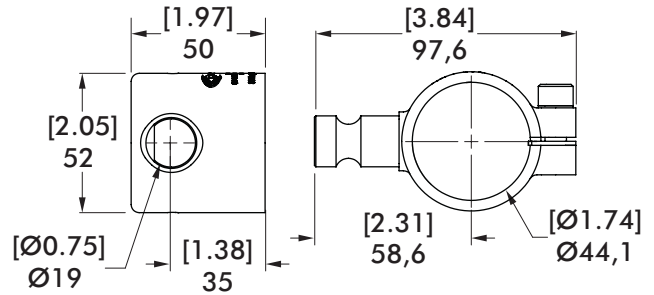
Side Ball



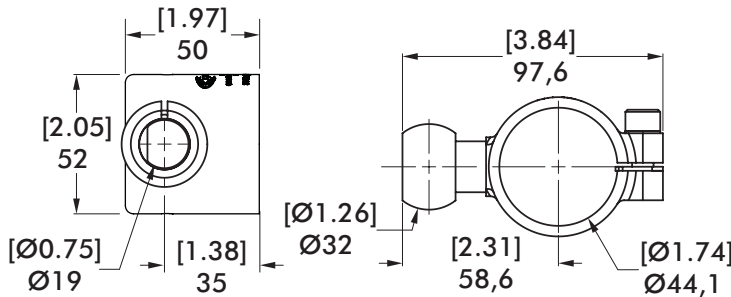
Apple Core



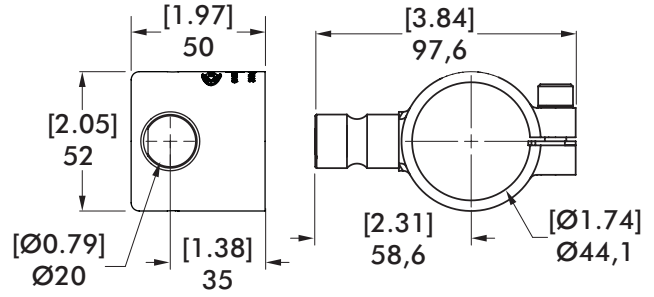
GT-84N5-B112-A



GT-84N5-19M-A

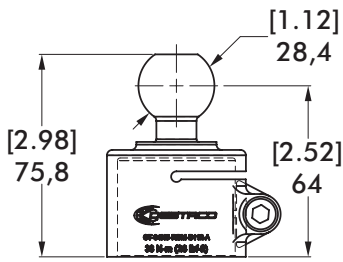


GT-84N5-32B-A

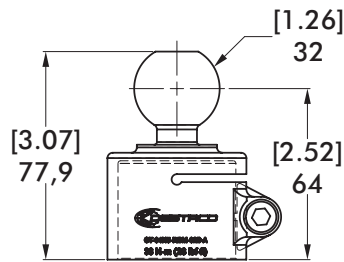


GT-84N5-20M-A

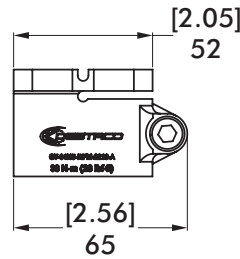
Rear Ball and Flange Gripper Mounts



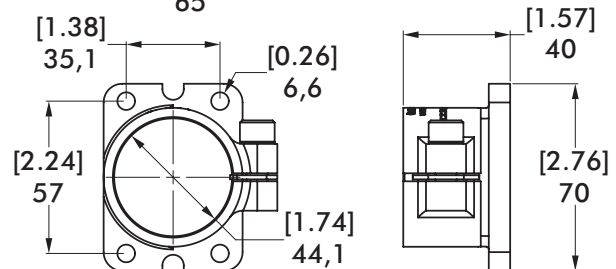
GT-84N5-RBM-B112-A



GT-84N5-RBM-32B-A

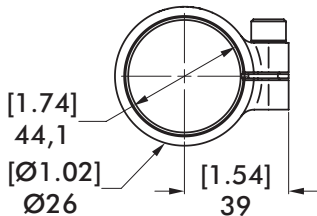


Rear Flange



GT-84N5-RFM-2213-A

Rear Ball



Side Ball and Apple Core

Part

- 1.125 in. (28.5mm) Side Ball
- 32mm Side Ball
- 19mm Applecore
- 20mm Applecore

- GT-84N5-B112-A
- GT-84N5-32B-A
- GT-84N5-19M-A
- GT-84N5-20M-A

Rear Ball and Flange

Part

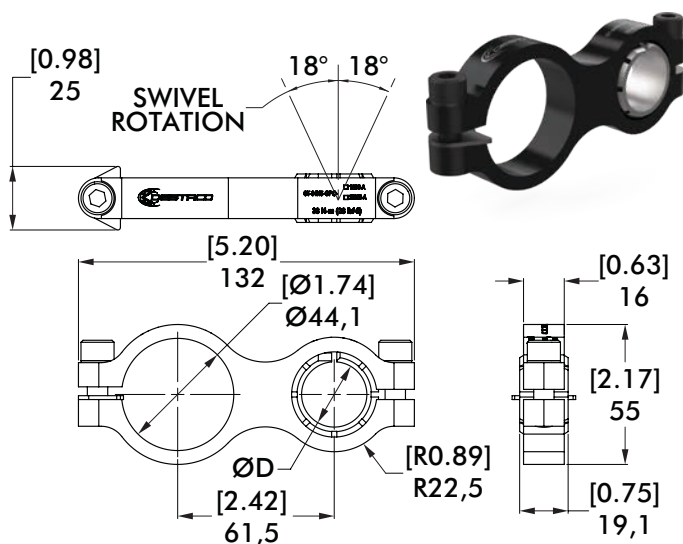
- 1.125 in. (28.5mm) Rear Ball
- 32mm Rear Ball
- Rear Flange

- GT-84N5-RBM-B112-A
- GT-84N5-RBM-32B-A
- GT-84N5-RFM-2213-A

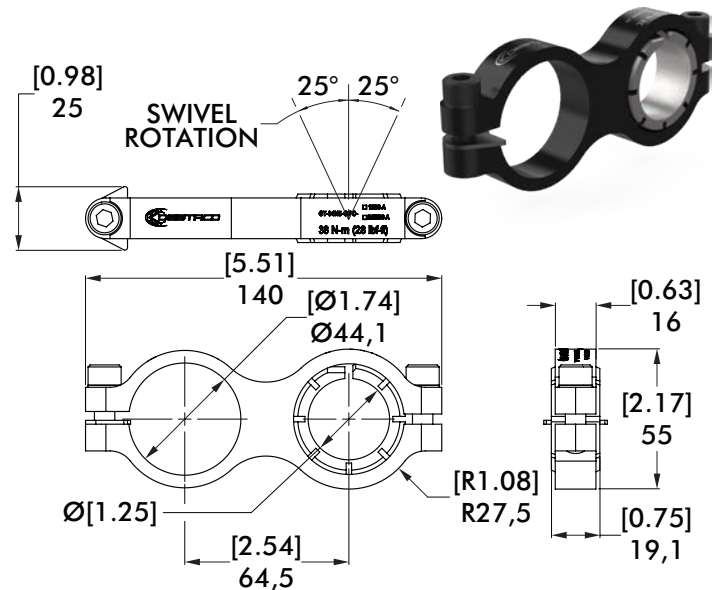
84N5 MOUNTS

Accelerate® Press Shop Sheet Metal Grippers | Dimensions and Ordering Information

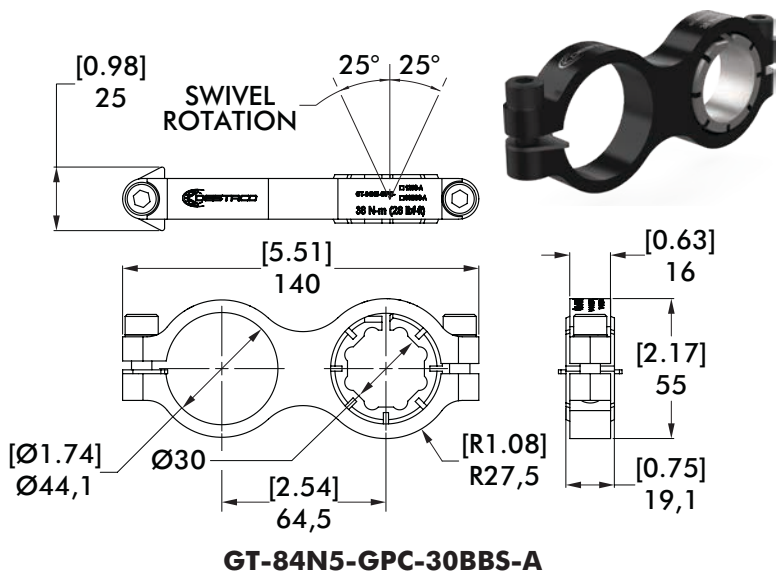
Parallel Swivel Gripper Mount



ØD= 1.00 in. **GT-84N5-GPC-100S-A**
 ØD= 25mm. **GT-84N5-GPC-25MS-A**



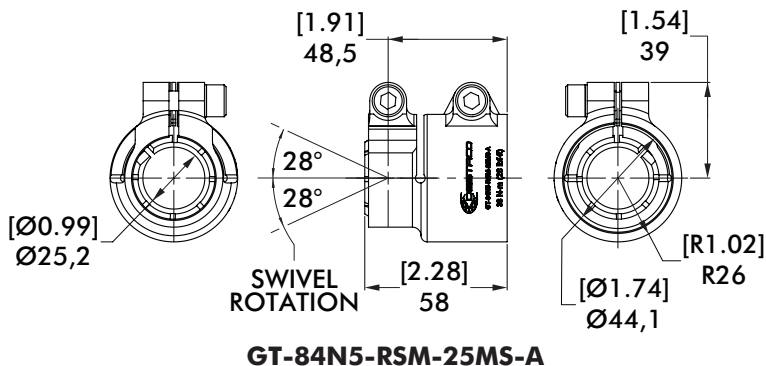
GT-84N5-GPC-125S-A



GT-84N5-GPC-30BBS-A

Parallel Swivel Mounts	Part #
1" Swivel Mount	GT-84N5-GPC-100S-A
1-1/4" Swivel Mount	GT-84N5-GPC-125S-A
25mm Swivel Mount	GT-84N5-GPC-25MS-A
30mm Body Builder Swivel Mount	GT-84N5-GPC-30BBS-A

Rear Clamp Swivel Mount



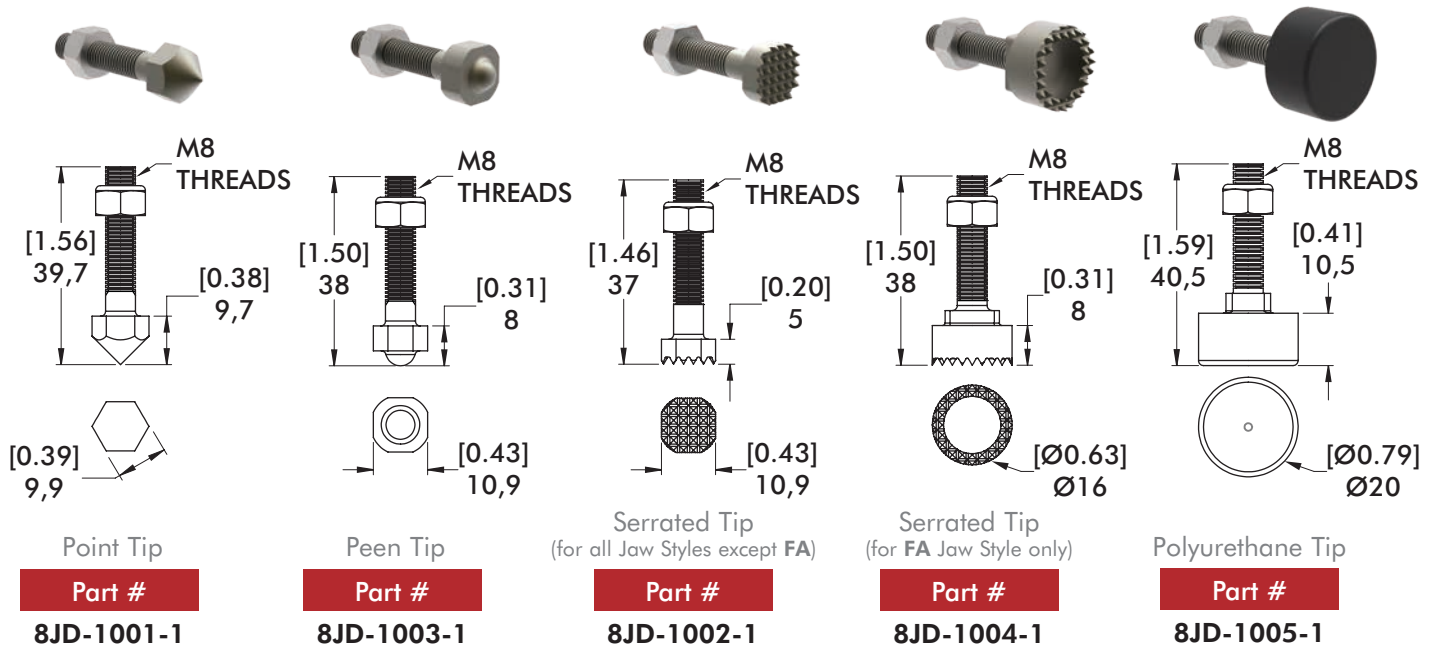
GT-84N5-RSM-25MS-A

Rear Swivel Mount	Part #
25mm Swivel Mount	GT-84N5-RSM-25MS-A



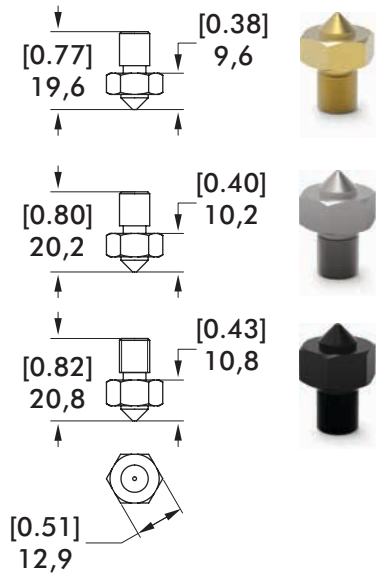
84N1 SINGLE TIPS

Accelerate® Press Shop Sheet Metal Grippers | Dimensions and Ordering Information

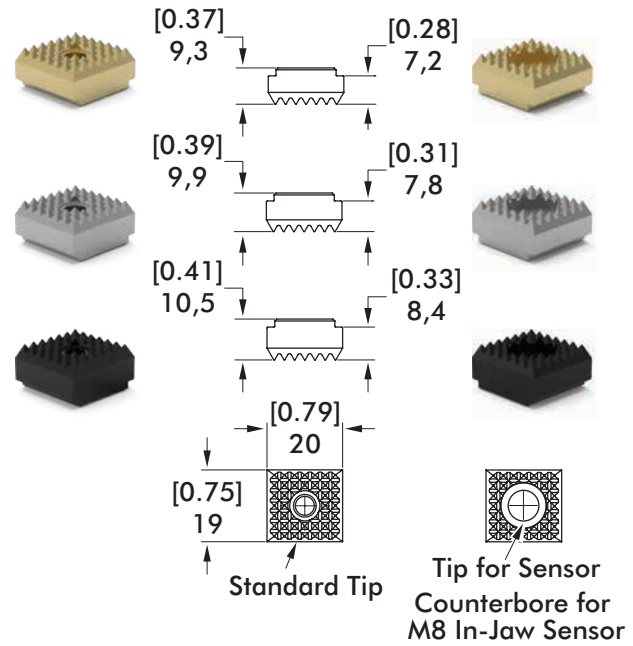


84N2, 84N5 SINGLE TIPS

Accelerate® Press Shop Sheet Metal Grippers | Dimensions and Ordering Information

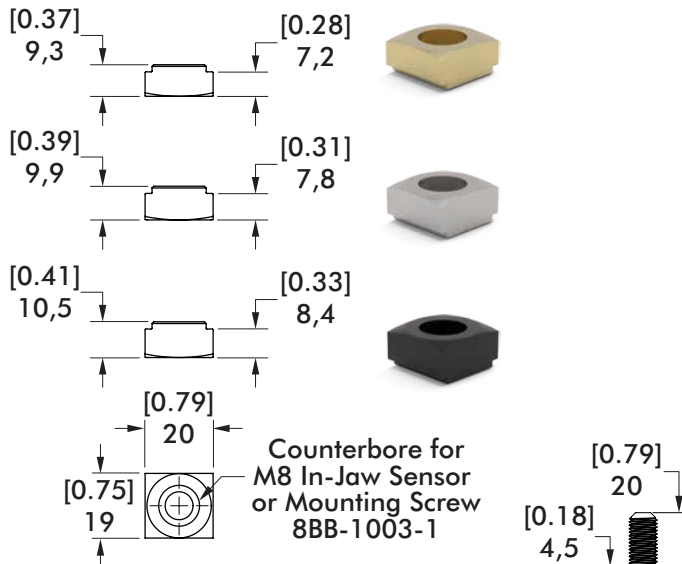


Single Cone	Part #
Gold	8JD-1013-1
Silver	8JD-1012-1
Black	8JD-1011-1

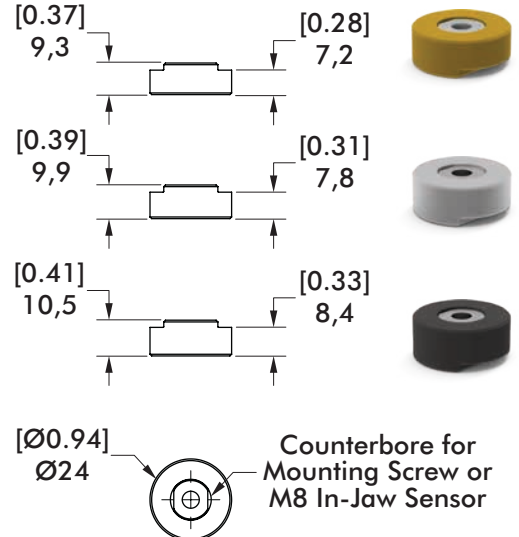


Single Serrated	Standard Tip	Tip for Sensor
Gold	8JD-1019-1	8JD-1028-1
Silver*	8JD-1018-1	8JD-1027-1
Black*	8JD-1017-1	8JD-1026-1

*Includes optional shims for use with SC and DC chisel jaw options.



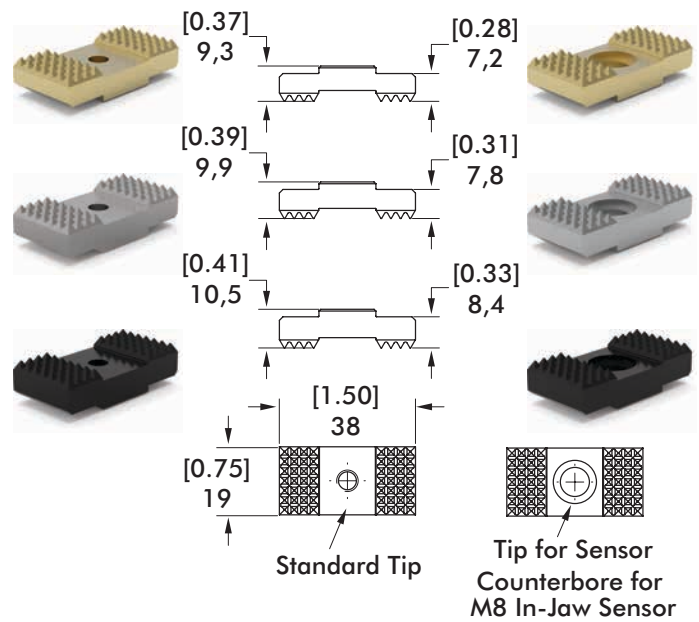
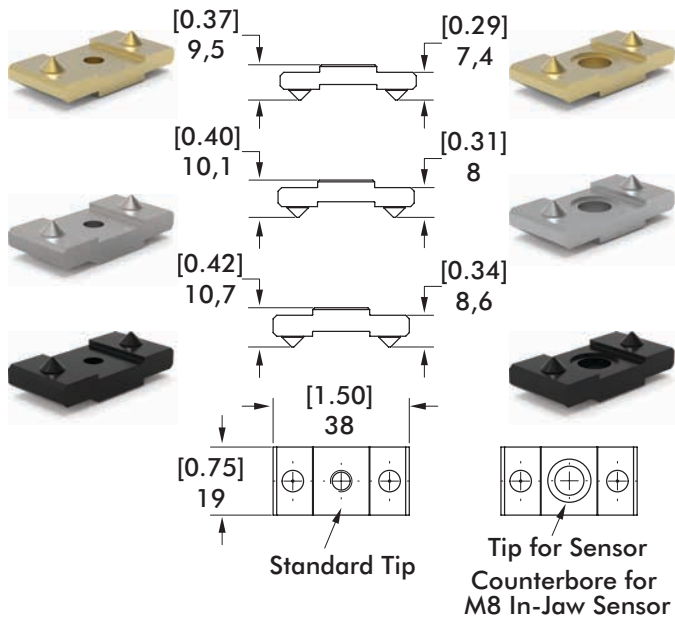
Single Flat	Part #
Gold	8JD-1039-1
Silver	8JD-1038-1
Black	8JD-1037-1
Mounting Screw	8BB-1003-1



Single Polyurethane	Part #
Gold	8JD-1042-1
Silver	8JD-1041-1
Black	8JD-1040-1

84N2, 84N5 DOUBLE TIPS

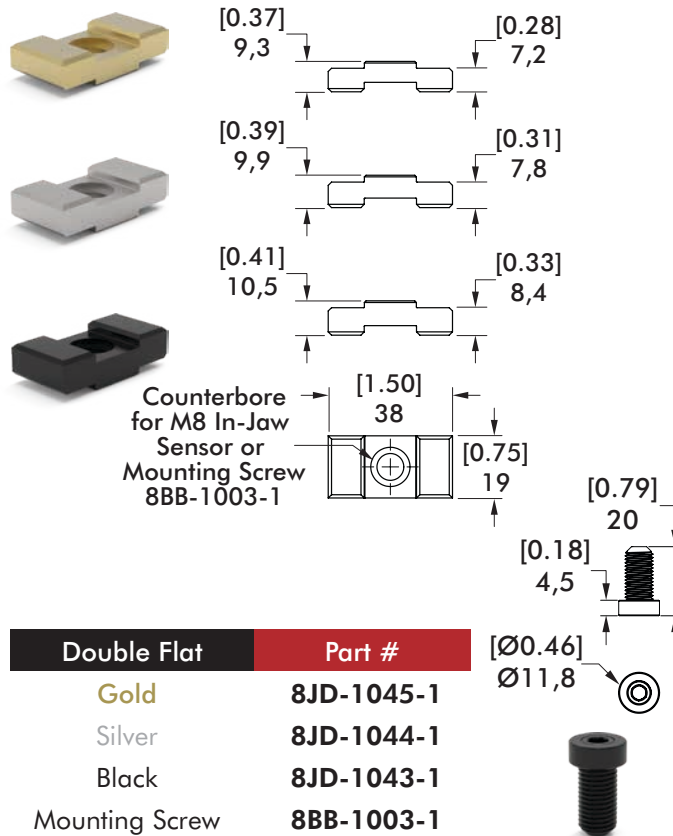
Accelerate® Press Shop Sheet Metal Grippers | Dimensions and Ordering Information



Double Cone	Standard Tip	Tip for Sensor
Gold	8JD-1016-1	8JD-1025-1
Silver	8JD-1015-1	8JD-1024-1
Black	8JD-1014-1	8JD-1023-1

Double Serrated	Standard Tip	Tip for Sensor
Gold	8JD-1022-1	8JD-1036-1
Silver*	8JD-1021-1	8JD-1035-1
Black*	8JD-1020-1	8JD-1034-1

*Includes optional shims for use with SC and DC chisel jaw options.

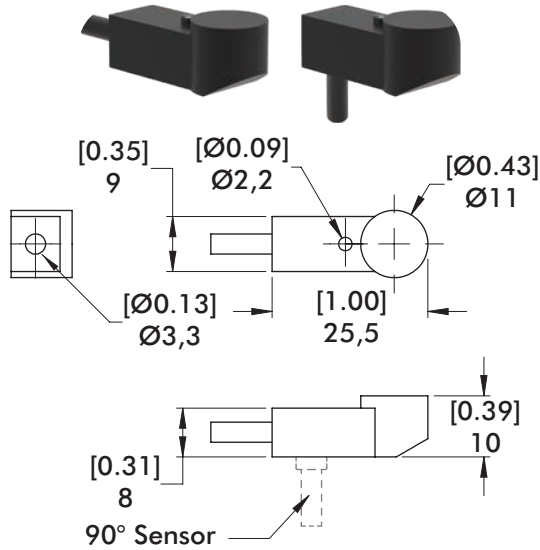


Double Flat	Part #
Gold	8JD-1045-1
Silver	8JD-1044-1
Black	8JD-1043-1
Mounting Screw	8BB-1003-1

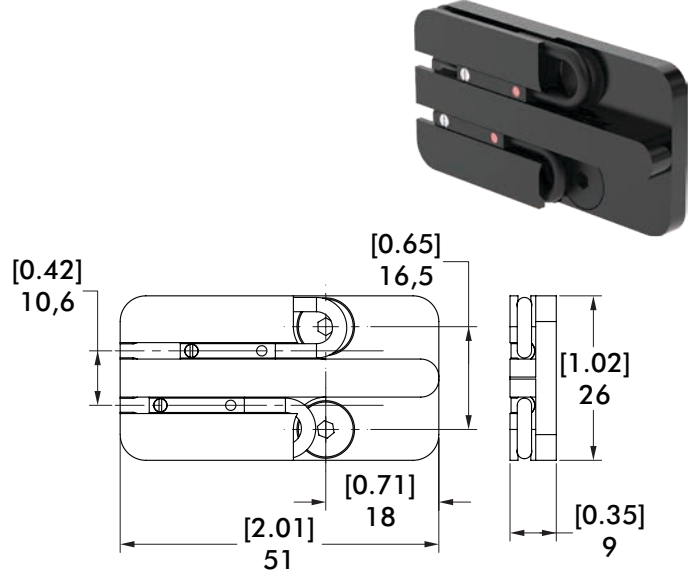
84N1, 84N2 SENSING OPTIONS

Accelerate® Press Shop Sheet Metal Grippers | Dimensions and Ordering Information

Jaw Part Present Sensor (84N1 only)



2-Point Side Mount Sensing (84N1, 84N2 only)



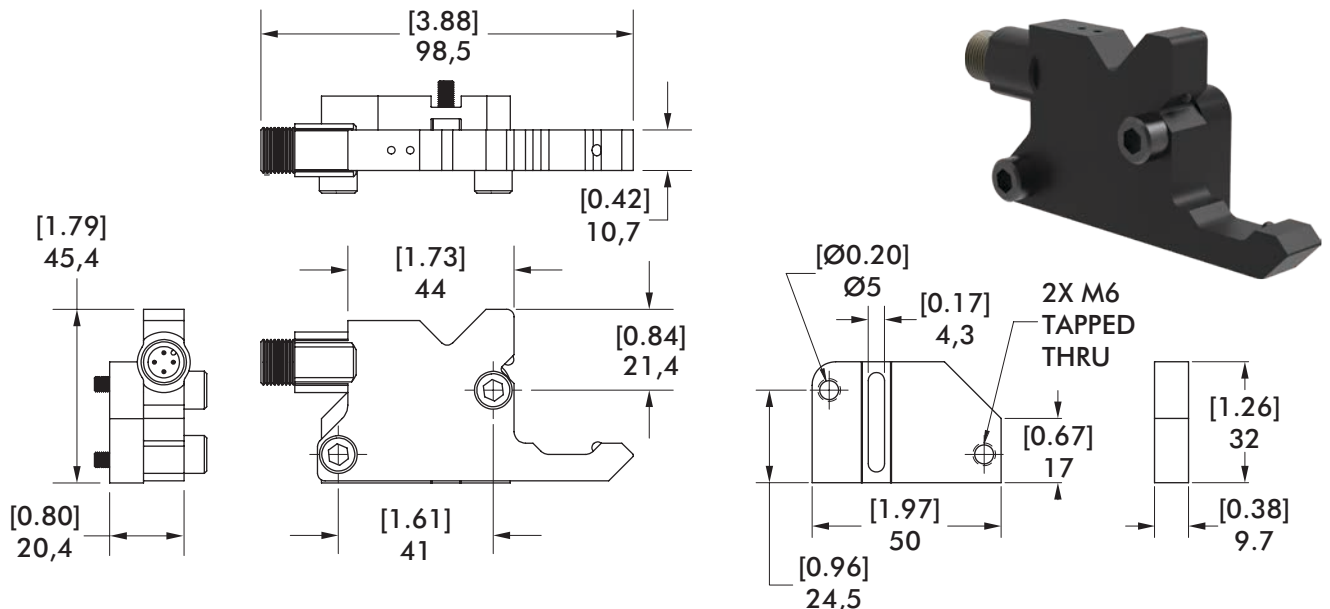
Description	Part #
PNP Inductive Part Present Sensor Kit	8EA-1024-1
NPN Inductive Part Present Sensor Kit	8EA-1025-1
90° PNP Inductive Part Present Sensor Kit**	8EA-1027-1
90° NPN Inductive Part Present Sensor Kit**	8EA-1028-1
Quick Disconnect 2 Meter Cable Length*	CABL-010
Quick Disconnect 5 Meter Cable Length*	CABL-013

*Sensor and cable sold separately. **for 84N1 PC Jaw Style only.

Description	Part #
PNP Magneto-Resistive Sensor Kit (Inc. 2 Sensors)	8EA-1035-1
NPN Magneto-Resistive Sensor Kit (Inc. 2 Sensors)	8EA-1036-1
4mm PNP Magneto-Resistive Sensor Only (Qty. 1)	OHSP-017
4mm NPN Magneto-Resistive Sensor Only (Qty. 1)	OHSN-017
Quick Disconnect 2 Meter Cable Length*	CABL-010
Quick Disconnect 5 Meter Cable Length*	CABL-013

*Sensor and cable sold separately.

Infrared Part Present Sensor and Mounting Adapter (84N1, 84N2 only)

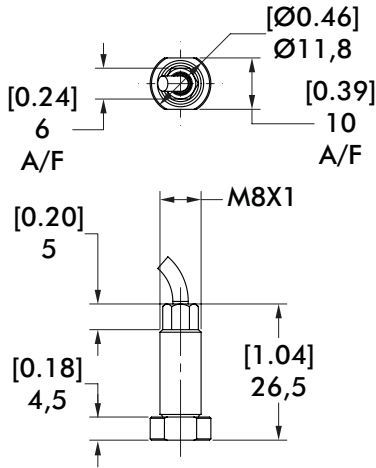


Description	Part #
84N1/84N2 Infrared Part Present Sensor Kit	8EA-1023-1

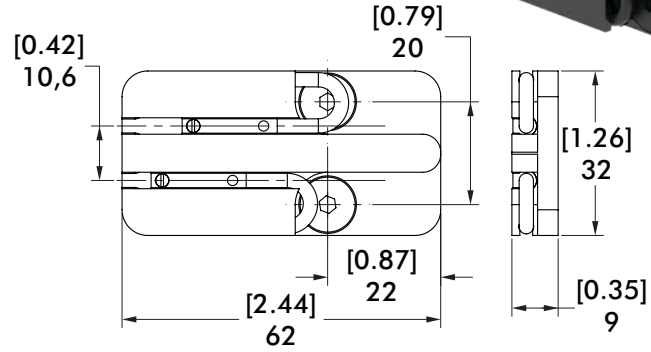
84N2, 84N5 SENSING OPTIONS

Accelerate® Press Shop Sheet Metal Grippers | Dimensions and Ordering Information

In-Jaw Part Sensor (84N2, 84N5 only)



2-Point Side Mount Sensing (84N5 only)



Description	Part #
PNP Inductive In-Jaw Sensor	8EA-1033-1
NPN Inductive In-Jaw Sensor	8EA-1034-1
Quick Disconnect 2M Cable Length*	CABL-010
Quick Disconnect 5M Cable Length*	CABL-013

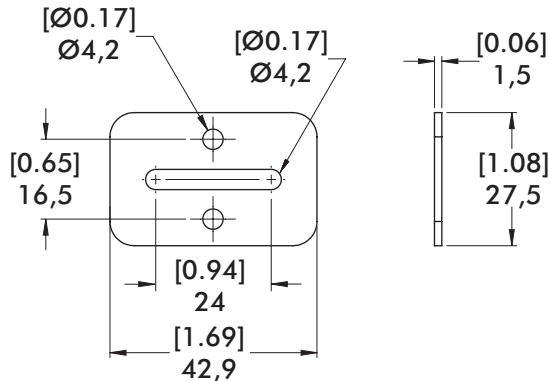
*Sensor and cable sold separately.

Description	Part #
PNP Magneto-Resistive Sensor Kit (Inc. 2 Sensors)	8EA-1052-1
NPN Magneto-Resistive Sensor Kit (Inc. 2 Sensors)	8EA-1053-1
4mm PNP Magneto-Resistive Sensor Only (Qty. 1)	OHSP-017
4mm NPN Magneto-Resistive Sensor Only (Qty. 1)	OHSN-017
Quick Disconnect 2M Cable Length*	CABL-010
Quick Disconnect 5M Cable Length*	CABL-013

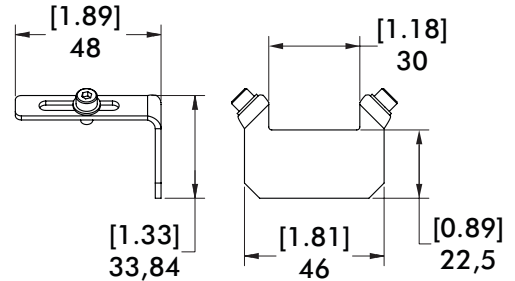
*Sensor and cable sold separately.

84N ACCESSORIES

Accelerate® Press Shop Sheet Metal Grippers | Dimensions and Ordering Information



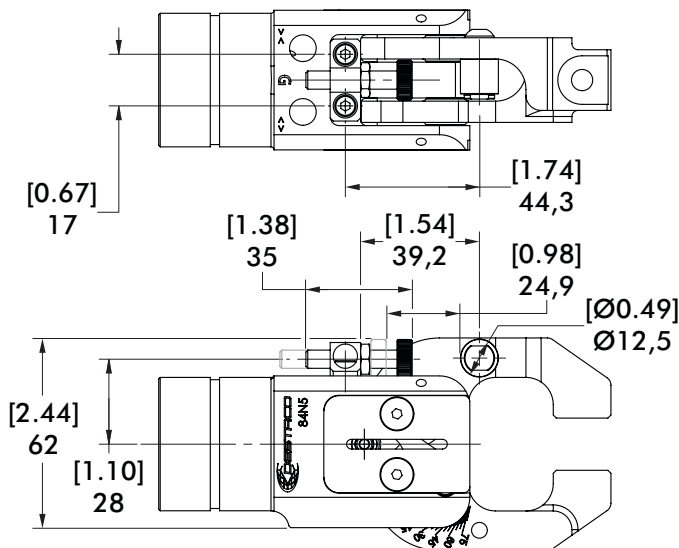
Sheet Stop Options



Description	Part #
84N1/84N2 Sheet Stop Kit Includes socket head cap mounting screws.	8MH-1003-1

Description	Part #
84N5 Sheet Stop Kit Includes socket head cap mounting screws.	8MH-1053-1

Opening Angle Adjustment Kit (84N5 only*)



Description	Part #
84N5 Opening Angle Adjustment Kit Includes mounting screws. *For FA, PA and DA models -075 and -ADJ only.	8MH-1052-1

Seal Kits



Description	Part #
84N1/84N2 Seal Kit	SLKT-478
84N5 Seal Kit	SLKT-479
Includes shock pad, rod u-cup seal, o-ring cap, piston seal and retainer ring.	