

602, 604, 624 SERIES

Straight Line Action Clamps | Product Overview

Features:

- Versatile and compact straight line action clamps
- Threaded body for through hole mounting
- Stainless Steel **-SS** models available
- Toggle Lock Plus™ **-R** versions available (604, 624 only)
- 5 handle colors - see page MC-PRO-7 for details

Applications:

- Assembly
- Checking fixtures
- Welding fixtures
- Tensioning devices

Also Available:

See page MC-ACC-1 for accessories

602
602-SS
602-MM
602-MMSS



604
604-SS
604-MM
604-MMSS ⓘ



624
624-SS
624-MM
624-MMSS ⓘ



Color Handles
Available on models in this series. Add **-Y, -G, -B, -K** to end of model number.

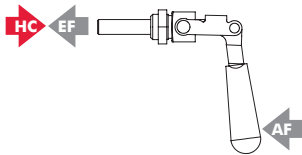
604-R
604-RSS
604-MMR
604-MMRSS
with DESTACO®
Toggle Lock Plus™



624-R
624-RSS
624-MMR
624-MMRSS
with DESTACO®
Toggle Lock Plus™



Technical Information | Holding Capacities | Dimensions



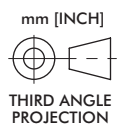
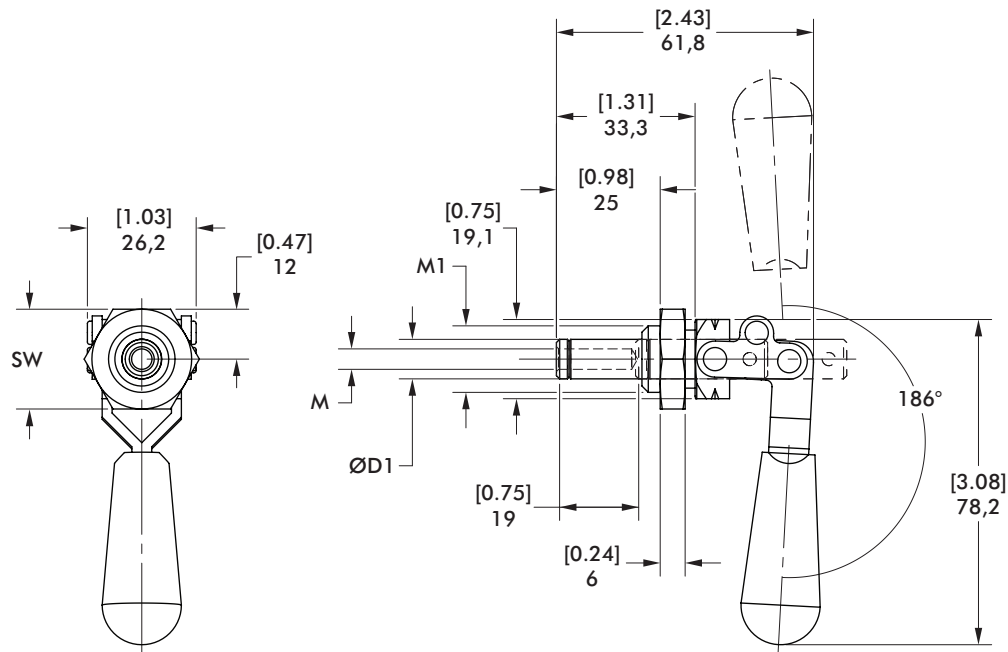
Model	Max. Holding Capacity	Weight	EF:AF (pushing/pulling)	Plunger Travel	Plunger Thread	Spindle (Recommended)	Mounting Nut (Supplied)
602					1/4-20	205203	602105
602-SS	[200 lbf] 900 N	[0.12 lb] 0,05 kg	31:1/28:1	[0.75] 19	M6	202943	602905
602-MM						205203-M	602105-M
602-MMSS						202943-M	602905-M
604	[300 lbf] 1330 N				5/16-18	207203	606104
604-R						--	606904
604-SS	[400 lbf] 1780 N	[0.44 lb] 0,20 kg	45:1/26:1	[1.50] 38	M8		
604-RSS							
604-MM	[300 lbf] 1330 N					207943	606104-M
604-MMR						207943-M (included)	606904-M
604-MMSS ⓘ	[400 lbf] 1780 N						
604-MMRSS							
624					3/8-16	210203	624105
624-R							237943 (included)
624-SS	[700 lbf] 3110 N	[1.63 lb] 0,74 kg	49:1/21:1	[2.63] 66	M10		
624-RSS							
624-MM						237943-M	624905-M
624-MMR							
624-MMSS							
624-MMRSS							

ⓘ This item is available upon request HC = Holding Capacity, EF = Exerting Force, AF = Applied Force

602 SERIES

Straight Line Action Clamps | Dimensions | -SS/-MM/-MMSS

602
602-SS
602-MM
602-MMSS



Modell	ØD1	M	M1	SW
602	10 [0.39]			[0.88]
602-SS	9,5 [0.37]	1/4-20	5/8-18	22,2
602-MM	10 [0.39]	M6	M16x1.5	[0.94]
602-MMSS	10 [0.39]			24

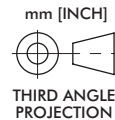
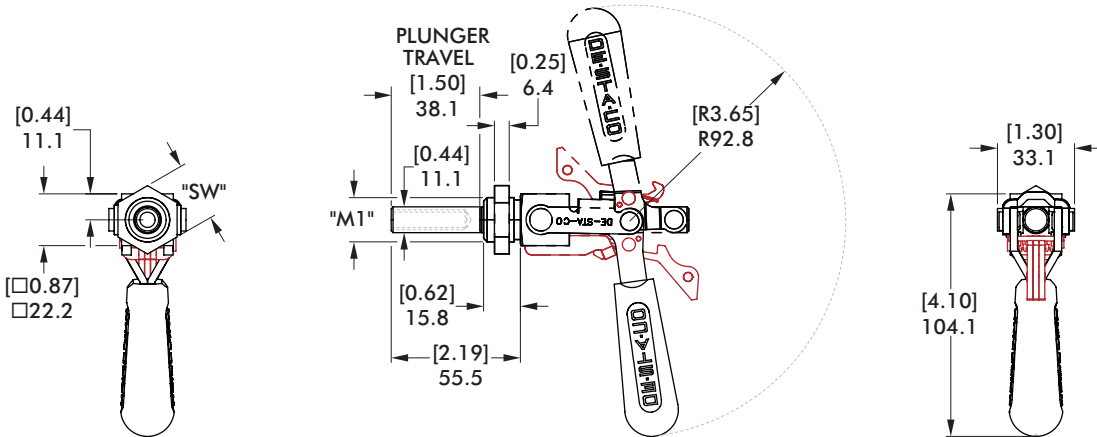
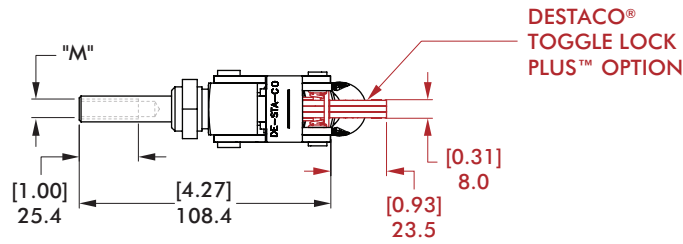
604 SERIES

Straight Line Action Clamps | Dimensions | -SS/-MM/-MMSS/-R/-RSS/-MMR/-MMRSS

604
604-SS
604-MM
604-MMSS^①



604-R
604-RSS
604-MMR
604-MMRSS
with DESTACO[®]
Toggle Lock Plus[™]



Model no.	M	M1	SW
604			
604-SS			[1.00] 25,4
604-R	5/16-18	3/4-16	
604-RSS			
604-MM			
604-MMSS			[1.18] 30
604-MMR	M8	M20x1.5	
604-MMRSS			

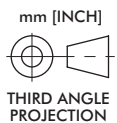
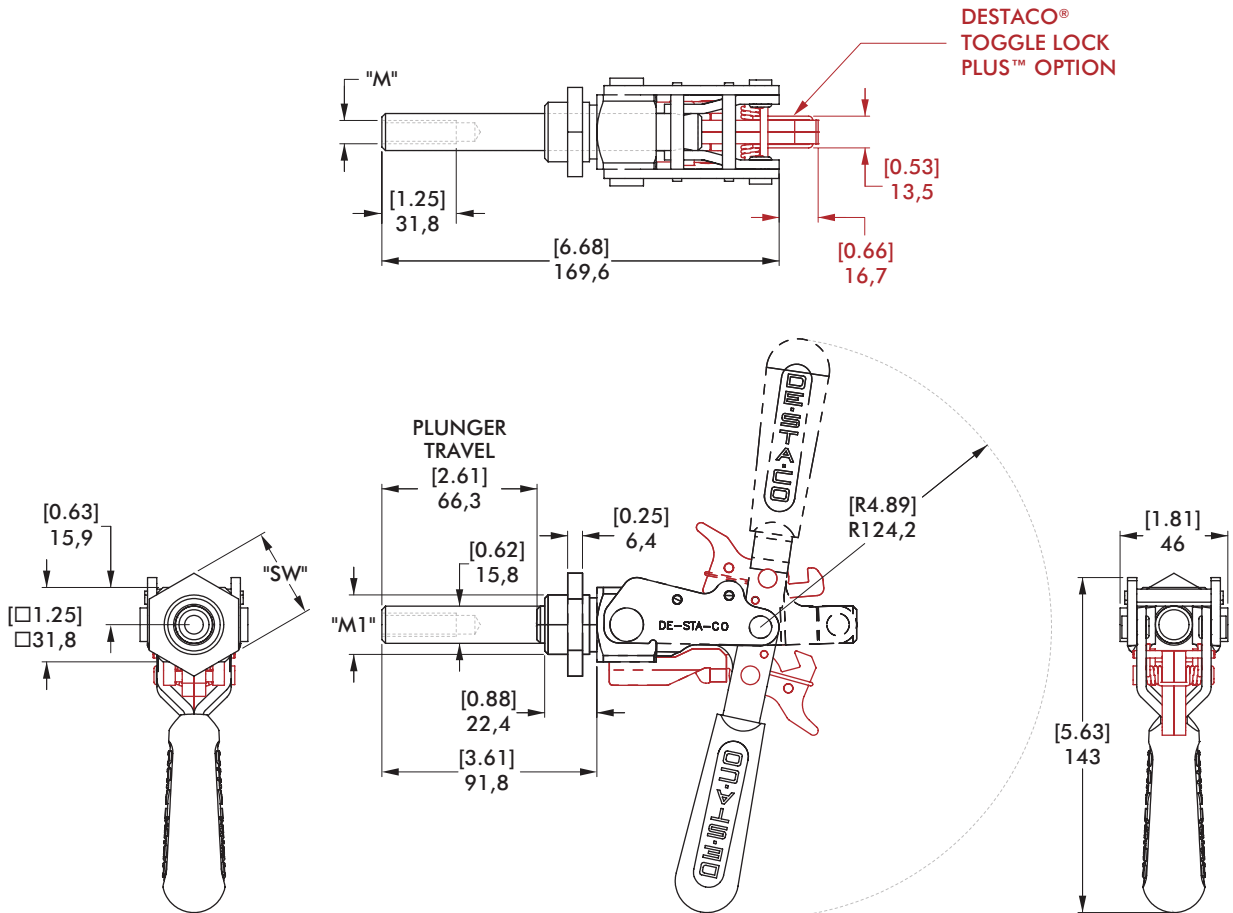
624 SERIES

Straight Line Action Clamps | Dimensions | -SS/-MM/-R/-RSS/-MMR/-MMRSS

624
624-SS
624-MM
604-MMSS^①



624-R
624-RSS
624-MMR
624-MMRSS
with DESTACO[®]
Toggle Lock Plus[™]



Model no.	M	M1	SW
624			
624-SS			[1.50] 38,1
624-R	3/8-16	1-14	
624-RSS			
624-MM			
624-MMSS			
624-MMR	M10	M27x2	[1.61] 41
624-MMRSS			