

# 225 SERIES

## Horizontal Hold Down Clamps | Product Overview

### Features:

- Low profile
- Stainless steel model furnished without plastic grip
- Available DESTACO® Toggle Lock Plus™

### Applications:

- Assembly
- Checking fixtures
- Closures
- Woodworking

### Also Available:

See page MC-ACC-1 for accessories  
Accommodates M8 or 5/16" spindle accessory

Covered under one or more U.S./International Patents

**225-U/USS**  
Flanged Base  
U-Bar



**225-UR/URSS**  
Flanged Base  
U-Bar  
DESTACO®  
Toggle Lock  
Plus



**225-UB/UBSS ⓘ**  
Straight Base  
U Bar



**225-UF**  
Front Mount Base  
U-Bar



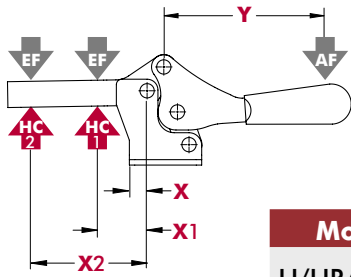
## Technical Information

Model	Max. Holding Capacity	Clamp Bar Opening (+10°)	Handle Opening (+10°)	Weight	Accessories (Supplied)	
					Spindle Assembly	Flanged Washers
225-U	2220 N [500 lbf]	92°	70°	0,25 kg [0.55 lb]	225208-M	507107
225-USS	2670 N [600 lbf]				207943-M	507907
225-UR	2220 N [500 lbf]			0,31 kg [0.69 lb]	225208-M	507107
225-URSS	2670 N [600 lbf]				207943-M	507907
225-UB ⓘ	2220 N [500 lbf]			0,25 kg [0.55 lb]	225208-M	507107
225-UBSS ⓘ	2670 N [600 lbf]				207943-M	507907
225-UF	2220 N [500 lbf]			0,32 kg [0.70 lb]	215208-M	507107

ⓘ This item is available upon request

# 225 SERIES

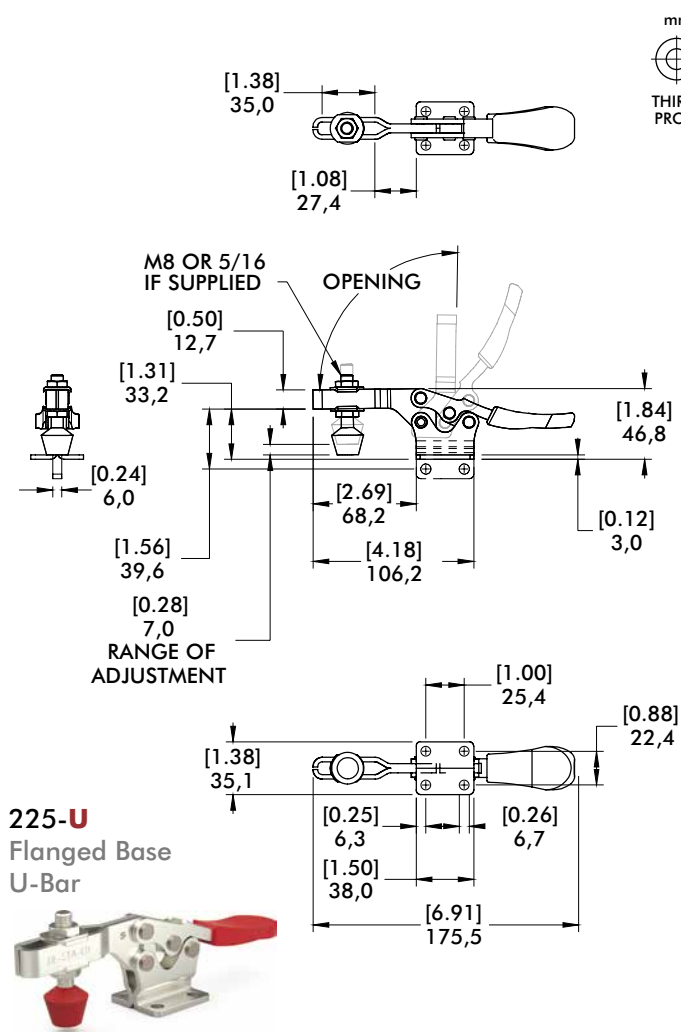
## Horizontal Hold Down Clamps | Holding Capacities



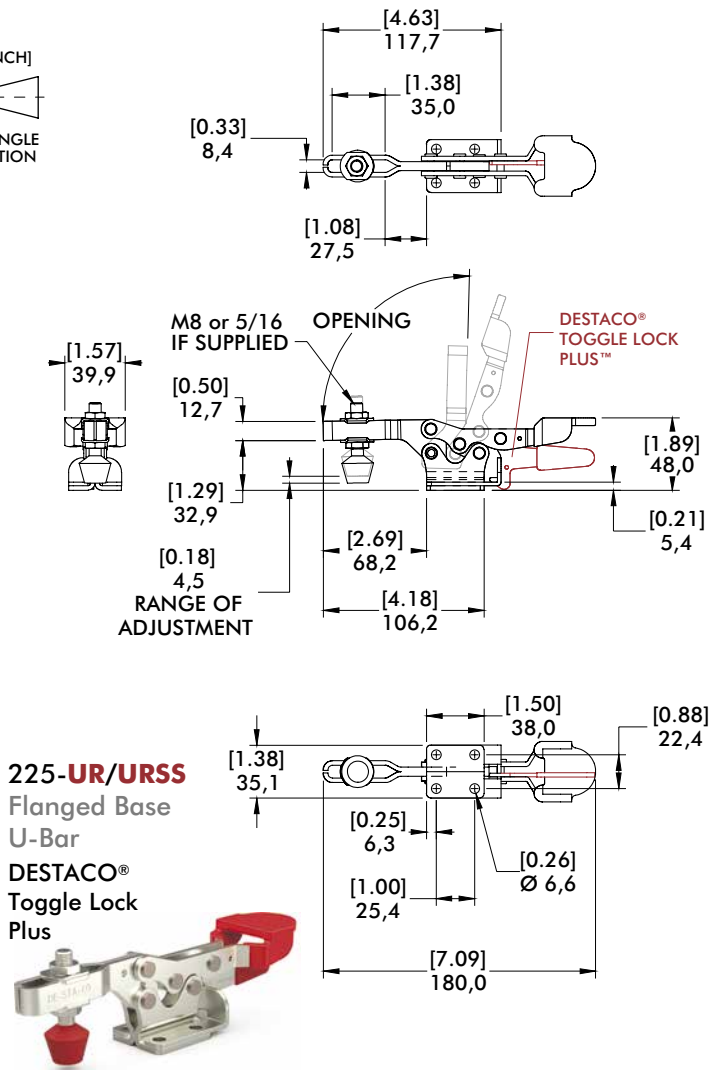
Model	X	X1	X2	Y	±HC1	±HC2	±EF(X1):AF	±EF(X2):AF
U/UR/UB/UF	[0.12] 3,0	[1.25] 31,8	[2.50] 63,5	[3.56] 90,4	[500 lbf] 2220 N	[250 lbf] 1110 N	12:1	5:1
USS/URSS/ UBSS					[600 lbf] 2670 N	[300 lbf] 1340 N		

Dimensions shown "mm [inch]" ± HC = Holding Capacity, EF = Exerting Force, AF = Applied Force  
See page MC-TEC-4 for additional information.

### Dimensions | -U/-USS-/UB-/UBSS



### Dimensions | -UR/-URSS

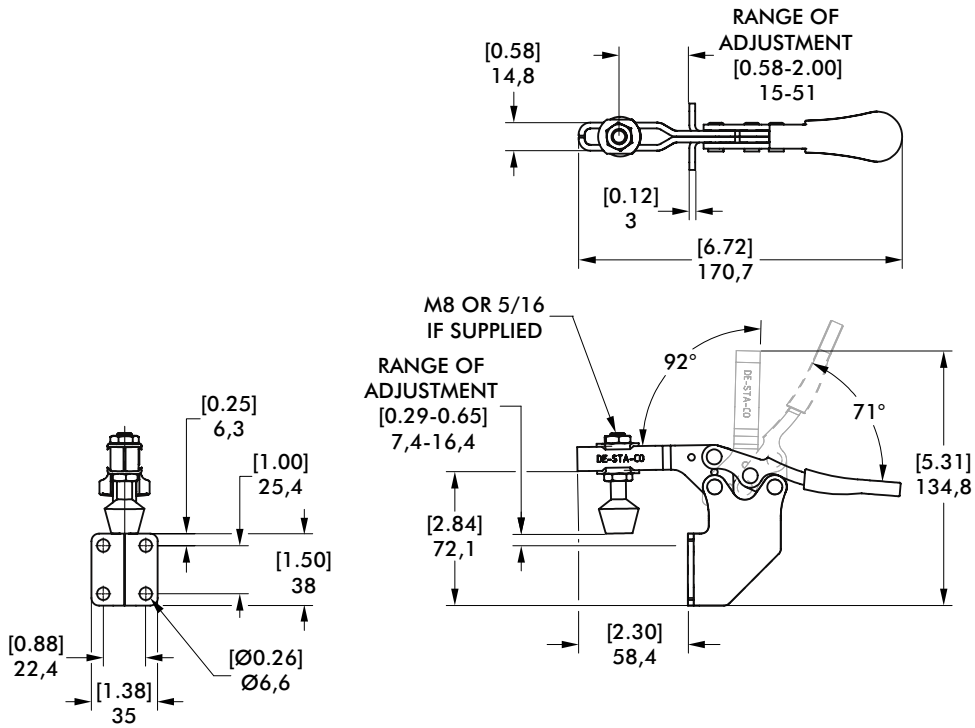
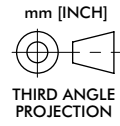


# 225 SERIES

## Horizontal Hold Down Clamps | Dimensions | -UF

### 225-UF

Front Mount Base  
U-Bar



- 5 handle colors - see page MC-PRO-7 for details