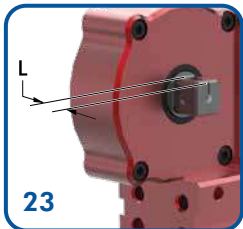
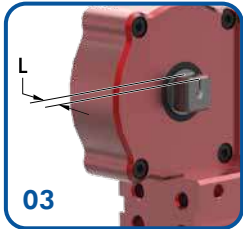


92W-1

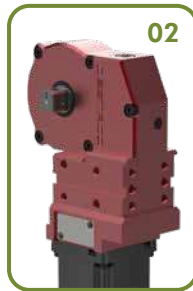
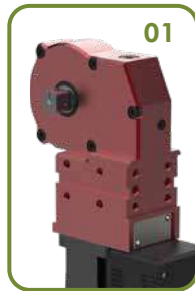
Enclosed Electric Power Clamps | Smart Clamp | How to Order

92W-1 23 00 02 02

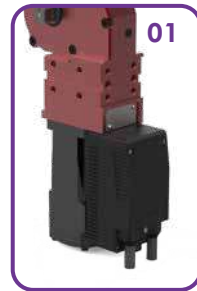
Clamp Arm Shaft	Shaft Length (L)
03	10 mm [0.39 in]
23	16 mm [0.63 in]



Body Style
 for 400 V Motor Option 01 only
 01 Compact Clamp Design
 for 48 V Motor Option 02 only
 02 Compact Clamp Design

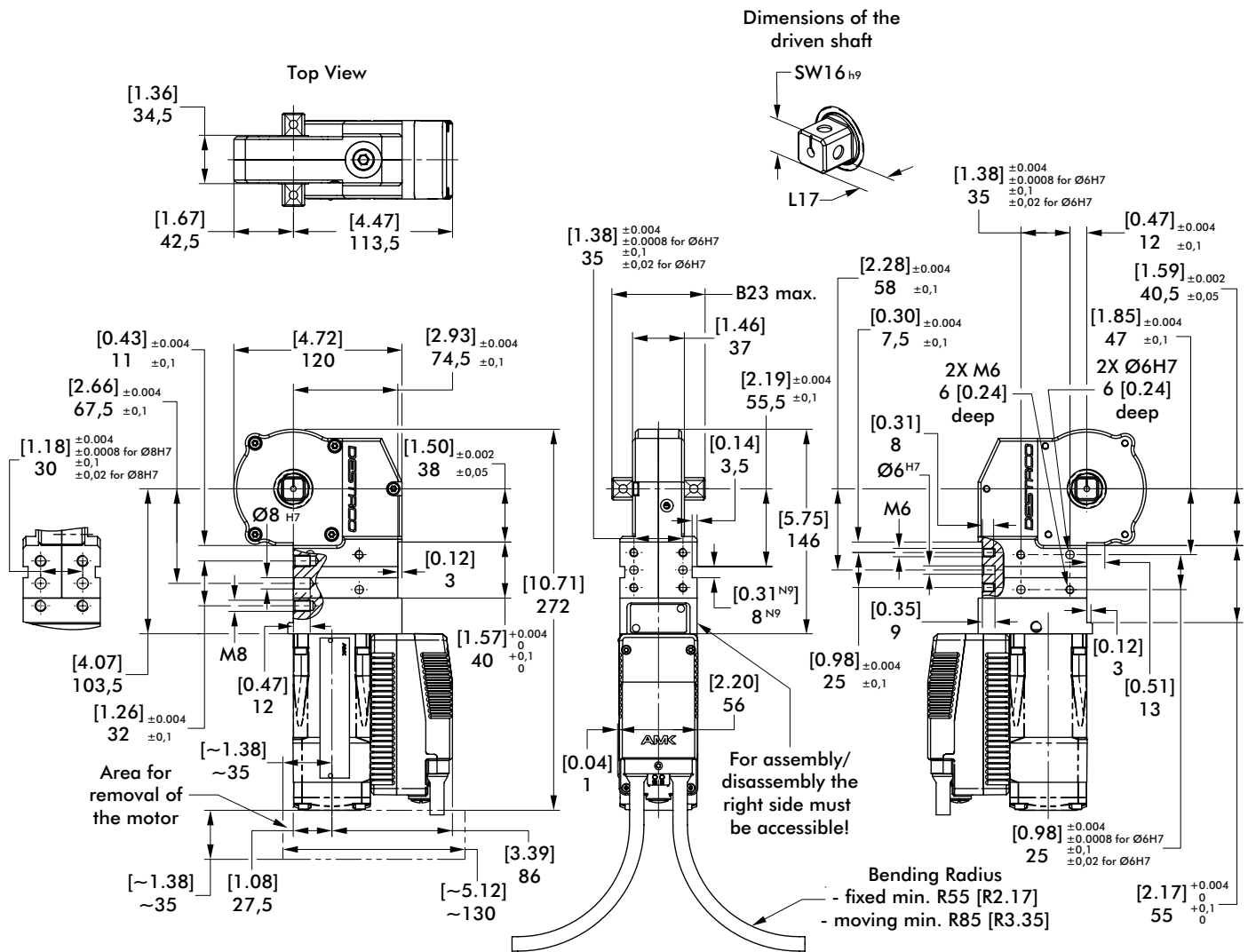


Motor
 for Body Style Option 01 only
 01 Servo Drive, Decentral 400 V
 for Body Style Option 02 only
 02 Servo Drive, Decentral 48 V

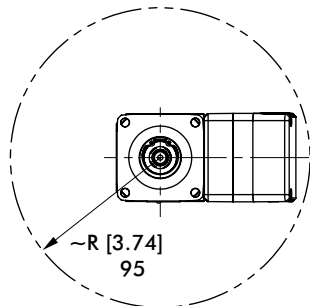


92W-123000101
 Shown with U-Arm
 8UM404-41-131
 (order separately)

92W-103000202
 Shown with U-Arm
 8UM404-41-131
 (order separately)



Area of Interference:
Keep this area free for assembly/disassembly work!

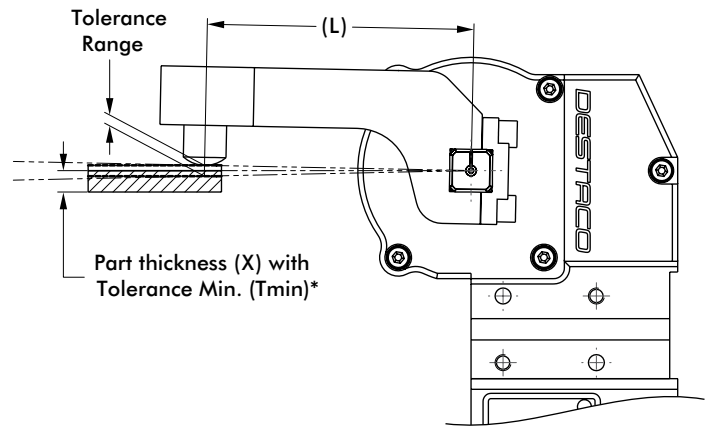


Model	Max. Holding Torque Nm [ft-lb]	Max. Clamping Torque Nm [ft-lb]	Weight kg [lbs]	B23 Max.	L17
92W-103000101	[332]	[7.4-74]	[7.72]	54,5 [2.15]	10 [0.39]
92W-123000101	450	10-100	3,5	66,5 [2.62]	16 [0.63]

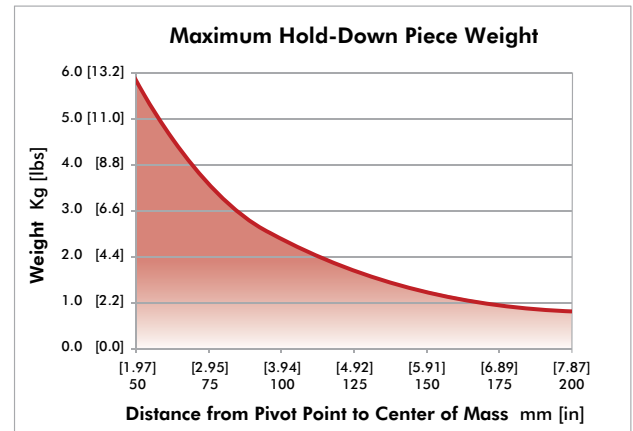
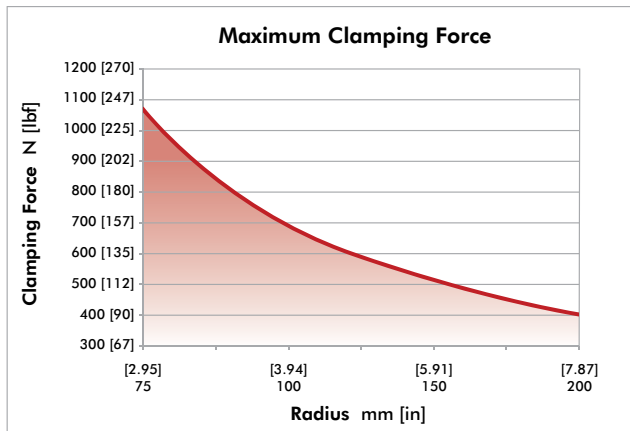
Part Present Control and Tolerance Compensation

Distance (L) [in] mm	Part Thickness (X) Min. Tolerance (Tmin)* [in] mm	Tolerance Range [in] mm
[3.94 ±0.004] 100 ±0,1	[±0.0098] ±0,25	[0.019] 0,5
[5.91 ±0.004] 150 ±0,1	[±0.0138] ±0,35	[0.027] 0,7
[7.87 ±0.004] Max. 200 ±0,1 Max.	[±0.0177] ±0,45	[0.031] 0,9

*Specification only as a guideline



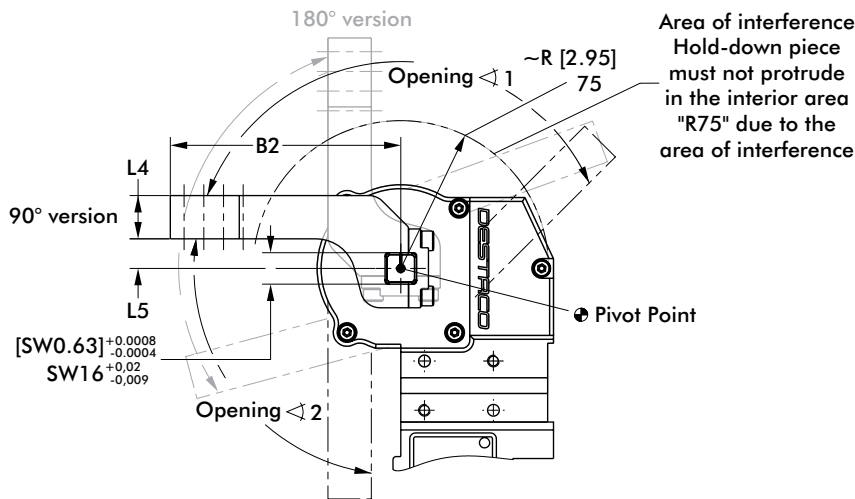
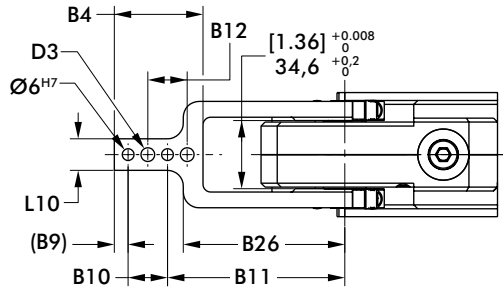
Technical Specifications



92W-1 U-ARMS CENTER (ALUMINUM)

Enclosed Electric Power Clamps | Dimensions | Technical Specifications

U-Clamp Arm, Center



- 8UM404-00-117
- 8UM404E-15-117
- 8UM404E-15-144
- 8UM404E-25-117
- 8UM404E-45-107
- 8UM404-41-131

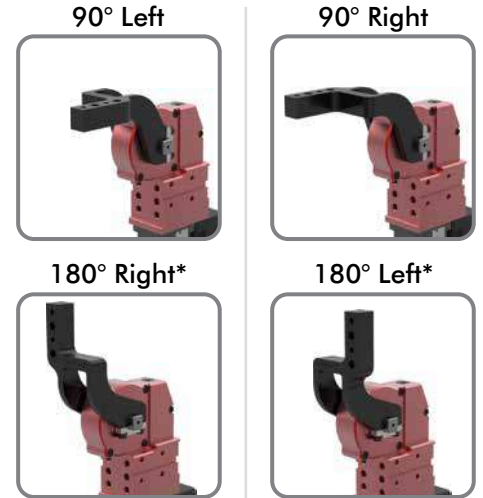
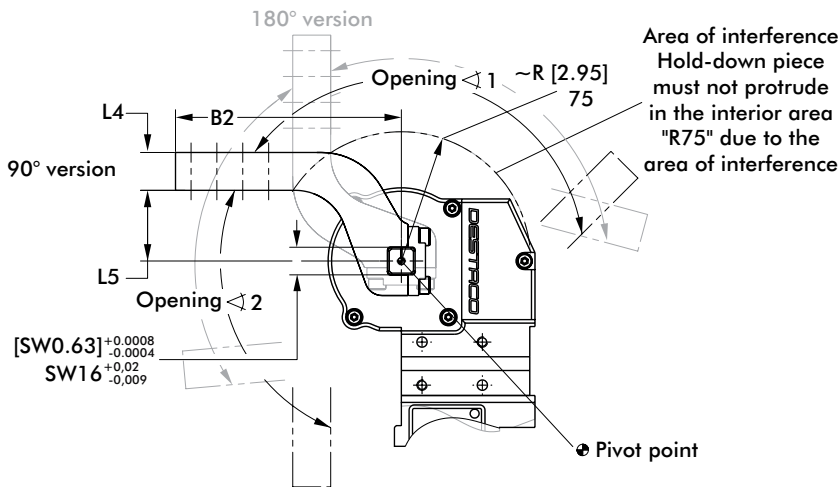
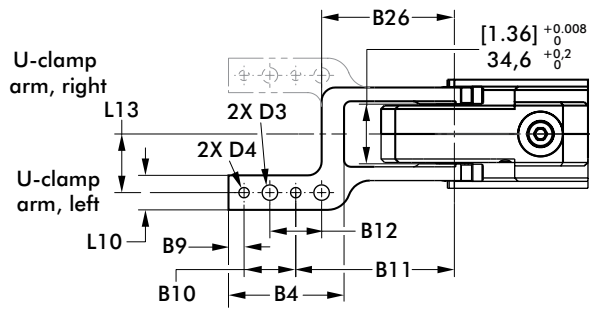
Arm Model No.	Max. Opening Angle for 90° Version		Max. Opening Angle for 180° Version		Weight kg [lbs]	B2	B4	B9	B10	B11	B12	B26	D3	L4	L5	L10
	$\sphericalangle 1$	$\sphericalangle 2$	$\sphericalangle 1$	$\sphericalangle 2$		[±0.0008] ±0,02	[±0.004] ±0,1	[±0.008] ±0,2	[±0.0008] -0.0004	[±0.004] ±0,1	[±0.008] ±0,2	[±0.008] ±0,2	[±0.008] ±0,2	[±0.004] ±0,1	[±0.004] ±0,1	[±0.004] ±0,1
8UM404-00-117	135°	85°	55°	140°	[0.49] 0,22	[4.61] 117	[1.77] 45	[0.28] 7	[0.79] 20	[3.54] 90	[0.79] 20		[0.28] 7	[0.87] 22	0	[0.63] 16
8UM404E-15-117		70°	105°	[0.51] 0,23	[5.67] 144	[2.83] 72	[0.35] 9	[1.18] 30	[4.13] 105	[1.18] 30	[3.23] 82	[0.35] 9	[1.10] 28	[0.59] 15	[0.79] 20	
8UM404E-15-144		90°	90°	100°	[0.73] 0,33	[4.61] 117	[1.77] 45	[0.28] 7	[0.79] 20	[3.54] 90	[0.79] 20		[0.28] 7	[0.87] 22	[0.98] 25	[0.63] 16
8UM404E-25-117		130°	110°	95°	[0.53] 0,24	[4.21] 107	[1.77] 45	[0.28] 7	[0.79] 20	[3.15] 80	[0.79] 20	[2.83] 72	[0.28] 7	[0.87] 22	[1.77] 45	[0.63] 16
8UM404E-45-107		90°	90°	100°	[0.64] 0,29	[5.16] 131	[2.64] 67	[0.35] 9	[1.18] 30	[3.62] 92	[1.18] 30	[3.03] 77	[0.35] 9		[1.61] 41	[0.79] 20
8UM404-41-131		135°	105°	95°												

Dimensions = [in] mm

92W-1 U-ARMS OFFSET (ALUMINUM)

Enclosed Electric Power Clamps | Dimensions | Technical Specifications

U-Clamp Arm, Offset



- 8UL404-00-117
- 8UR404-00-117
- 8UL404E-15-117
- 8UR404E-15-117
- 8UL404E-25-117
- 8UR404E-25-117
- 8UL404E-45-107
- 8UR404E-45-107
- 8UL404E-15-144
- 8UR404E-15-144
- 8UL404-41-131
- 8UR404-41-131

*90° left/180° right uses same clamp arm.
90° right/180° left uses same clamp arm.

Arm Model No. Left 90° / Right 180°	Arm Model No. Right 90° / Left 180°	Max. Opening Angle for 90° Version		Max. Opening Angle for 180° Version		Weight kg [lbs]
		$\sphericalangle 1$	$\sphericalangle 2$	$\sphericalangle 1$	$\sphericalangle 2$	
8UL404-00-117	8UR404-00-117	135°	85°	55°	140°	0,22 [0.49]
8UL404E-15-117	8UR404E-15-117		70°	105°	0,23 [0.51]	
8UL404E-25-117	8UR404E-25-117		90°	100°	0,24 [0.53]	
8UL404E-45-107	8UR404E-45-107		70°	105°	0,35 [0.77]	
8UL404E-15-144	8UR404E-15-144		105°	95°	0,30 [0.66]	
8UL404-41-131	8UR404-41-131					

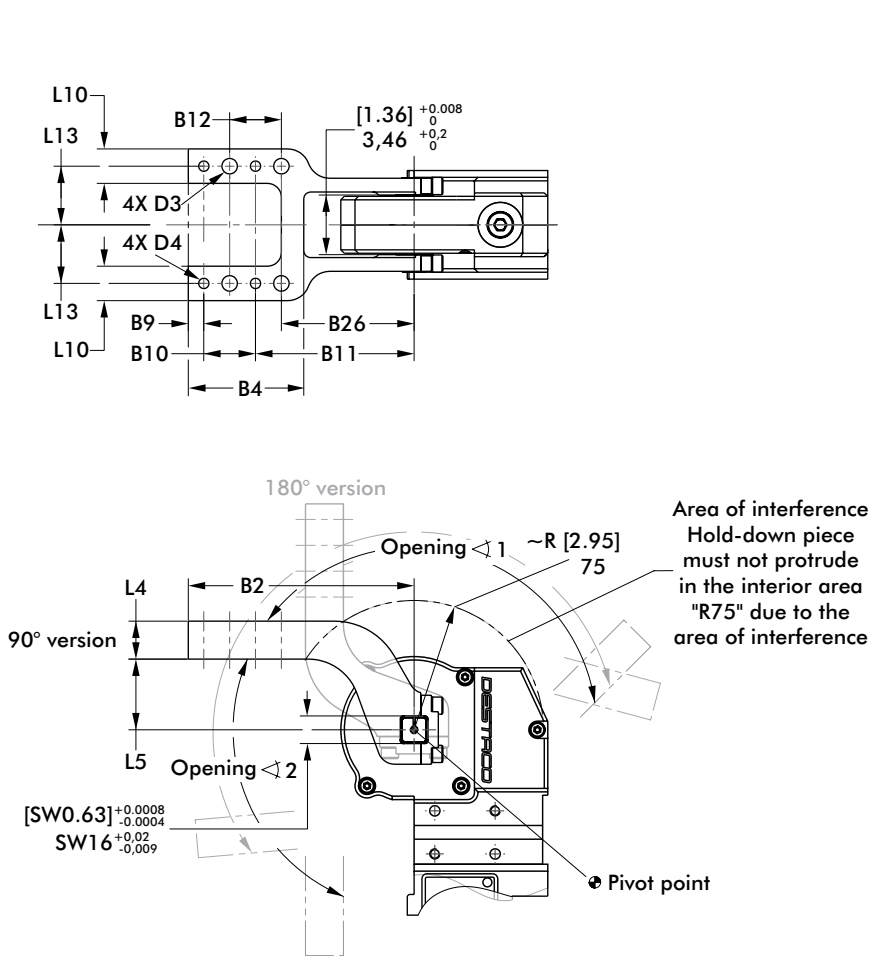
Arm Model No. Left 90° / Right 180°	Arm Model No. Right 90° / Left 180°	B2	B4	B9	B10	B11	B12	B26	L4	L5	\varnothing D3	\varnothing D4	L10	L13
					± 0.0008 ± 0.02	± 0.004 ± 0.1	± 0.008 ± 0.2		± 0.004 ± 0.1			H7		± 0.004 ± 0.1
8UL404-00-117	8UR404-00-117									0				
8UL404E-15-117	8UR404E-15-117	[4.61] 117	[1.77] 45	[0.28] 7	[0.79] 20	[3.54] 90	[0.79] 20	[3.23] 82	[0.87] 22	[0.59] 15	[0.28] 7		[0.63] 16	[0.91] 23
8UL404E-25-117	8UR404E-25-117									[0.98] 25				
8UL404E-45-107	8UR404E-45-107	[4.21] 107				[3.15] 80		[2.83] 72		[1.77] 45	[0.24] 6			
8UL404E-15-144	8UR404E-15-144	[5.67] 144	[2.83] 72			[4.13] 105		[3.23] 82	[1.10] 28	[0.59] 15				[1.46] 37
8UL404-41-131	8UR404-41-131	[5.16] 131	[2.64] 67	[0.35] 9	[1.18] 30	[3.62] 92	[1.18] 30	[3.03] 77	[0.87] 22	[1.61] 41	[0.35] 9		[0.79] 20	[1.34] 34

Dimensions = [in] mm

92W-1 H-ARMS (ALUMINUM)

Enclosed Electric Power Clamps | Dimensions | Technical Specifications

H-Clamp Arms



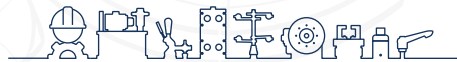
8UH404E-15-117
8UH404E-15-144
8UH404-41-131

Arm Model No.	Max. Opening Angle for 90° Version		Max. Opening Angle for 180° Version		Weight kg [lbs]
	$\sphericalangle 1$	$\sphericalangle 2$	$\sphericalangle 1$	$\sphericalangle 2$	
8UH404E-15-117			70°	105°	[0.57] 0,26
8UH404E-15-144	135°	90°			[1.01] 0,46
8UH404-41-131			105°	95°	[0.82] 0,37

Arm Model No.	B2	B4	B9	B10	B11	B12	B26	L4	L5	D3	D4	L10	L13
				± 0.0008	± 0.004	± 0.008		± 0.004			H7		± 0.004
				± 0.02	$\pm 0,1$	$\pm 0,2$		$\pm 0,1$					$\pm 0,1$
8UH404E-15-117	[4.61] 117	[1.77] 45	[0.28] 7	[0.79] 20	[3.54] 90	[0.79] 20	[3.23] 82	[0.87] 22	[0.59] 15	[0.28] 7		[0.63] 16	[0.91] 23
8UH404E-15-144	[5.67] 144	[2.83] 72	[0.35] 9	[1.18] 30	[4.13] 105	[1.18] 30	[3.03] 77	[1.10] 28		[0.35] 9	[0.24] 6	[0.79] 20	[1.46] 37
8UH404-41-131	[5.16] 131	[2.64] 67			[3.62] 92			[0.87] 22	[1.61] 41				[1.34] 34

Dimensions = [in] mm





inf @ /CESEHSA.com.mx

