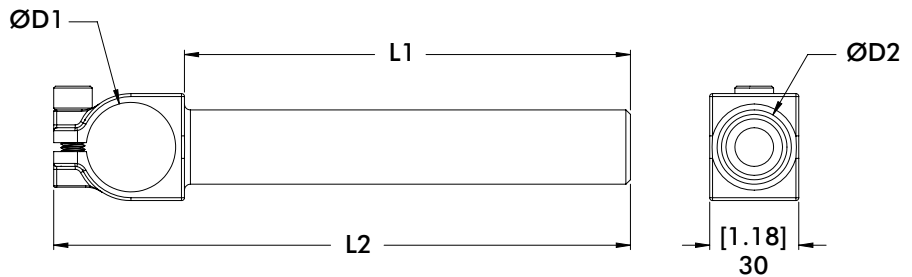
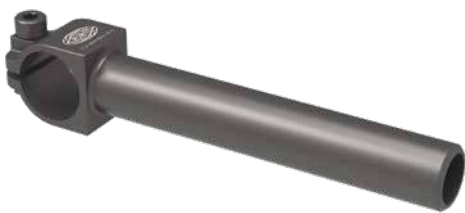


TCA SERIES

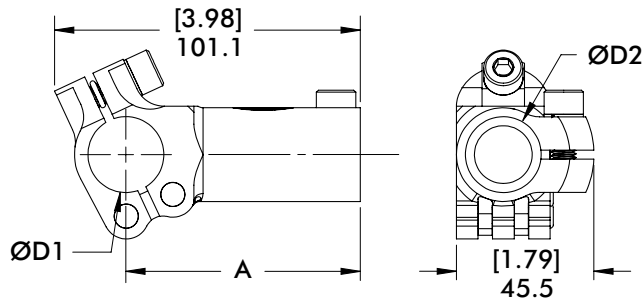
Accelerate® Tooling Collection | Dimensions

TCA T-Clamp Transition Brackets



Model Number	ØD1	ØD2	L1	L2	Material	Weight
TCA-25M-25M-150-A	.98 [25]	.98 [25]	150 [5.91]	194 [7.64]	Aluminum	160g [0.35 lb]
TCA-30M-25M-150-A	1.19 [30]	.98 [25]	150 [5.91]	194 [7.64]	Aluminum	162g [0.36 lb]
TCA-20M-20M-400-A	.79 [20]	.79 [20]	400 [15.74]	438 [17.24]	Aluminum	239g [0.53 lb]
TCA-30M-30M-400-A	1.18 [30]	1.18 [30]	400 [15.74]	447 [17.60]	Aluminum	394g [0.87 lb]
TCA-20M-20M-400-S	.79 [20]	.79 [20]	400 [15.74]	438 [17.24]	Steel	384g [0.85 lb]
TCA-30M-30M-400-S	1.18 [30]	1.18 [30]	400 [15.74]	447 [17.60]	Steel	622g [1.37 lb]

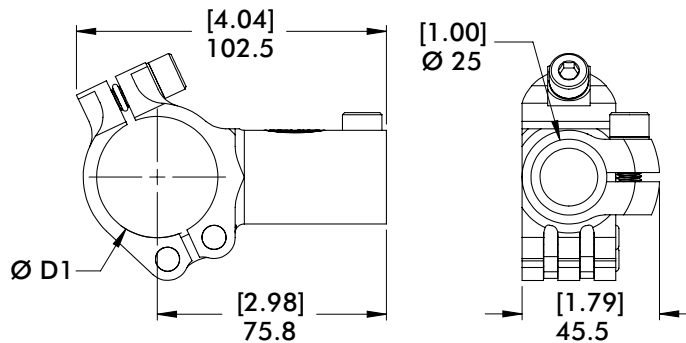
TCLD T-Clamp



Material: High Strength Aluminum

Model Number	ØD1	ØD2	A	B	Weight
TCLD-10E-10E-A	Ø1.00 in	Ø1.00 in	77.5 [3.05]	101.1 [3.98]	194g [0.43 lb]
TCLD-10E-25M-A	Ø1.00 in	Ø25mm	77.5 [3.05]	101.1 [3.98]	194g [0.43 lb]
TCLD-25M-25M-A	Ø25mm	Ø25mm	77.5 [3.05]	101.1 [3.98]	194g [0.43 lb]
TCLD-12E-10E-A	Ø1.25 in	Ø1.00 in	74.5 [2.93]	99.1 [3.90]	186g [0.41 lb]
TCLD-30M-25M-A	Ø30mm	Ø25mm	74.5 [2.93]	99.1 [3.90]	192g [0.42 lb]

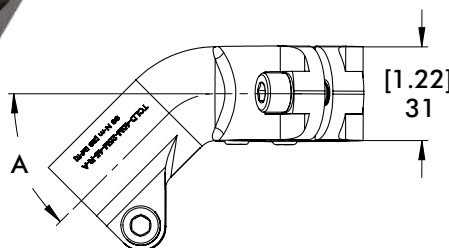
TCLD T-Clamp



Material: High Strength Aluminum

Model Number	ØD1	ØD2	Weight
TCLD-15E-10E-A	Ø1.50 in	Ø1.00 in	193g [0.43 lb]
TCLD-40M-25M-A	Ø40mm	Ø25mm	191g [0.42 lb]

TCLD Angled T- Clamps



Material: High Strength Aluminum

Model Number	A	Weight
TCLD-40M-20M-30-L-A	30°	225g [0.50 lb]
TCLD-40M-20M-30-R-A	30°	225g [0.50 lb]
TCLD-40M-20M-45-L-A	45°	230g [0.51 lb]
TCLD-40M-20M-45-R-A	45°	230g [0.51 lb]
TCLD-40M-25M-30-L-A	30°	201g [0.44 lb]
TCLD-40M-25M-30-R-A	30°	201g [0.44 lb]
TCLD-40M-25M-45-L-A	45°	206g [0.45 lb]
TCLD-40M-25M-45-R-A	45°	206g [0.45 lb]