

Straight Line Action Clamps | Product Overview

Features:

- Handle and linkage swivel 125° for mounting flexibility
- Narrow base for tight spaces
- Plunger locks in extended position only

Applications:

- Assembly & test
- Woodworking
- Tensioning devices

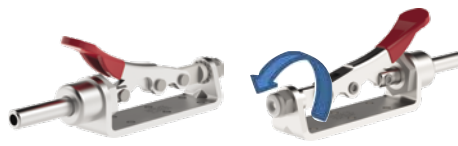
Also Available:

See page MC-ACC-1 for accessories

606
606-M



Mounting configuration:

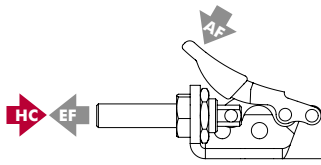


Bottom Mount



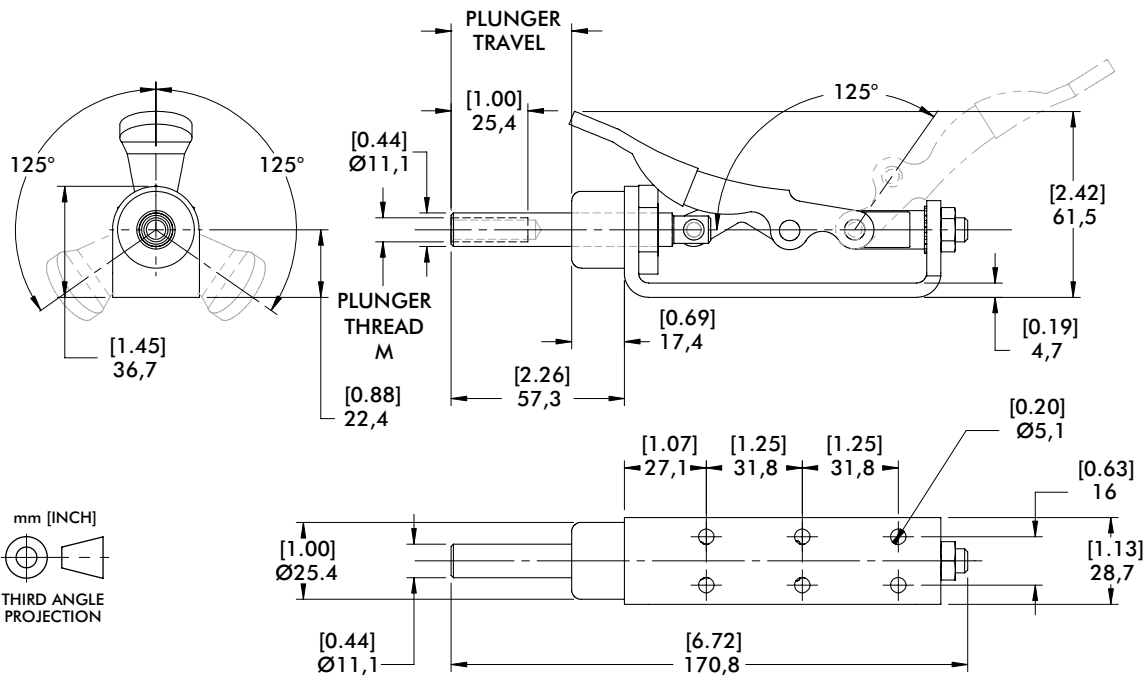
Side Mount

Technical Information | Holding Capacities | Dimensions



Model	Max. Holding Capacity	Weight	EF:AF (pushing)	Plunger Travel	(M) Plunger Thread	Recommended Spindle (Not Supplied)
606	[450 lbf] 2000 N	[0.81 lb] 0,37 kg	33:1	[1.57] 40	5/16-18	207203
606-M					M8	207203-M

HC = Holding Capacity, EF = Exerting Force, AF = Applied Force



Dimensions and technical information are subject to change without notice