

500 SERIES

Weldable Vertical Hold Down Clamps | Product Overview

Features:

- Hardened pivot pins and bushings
- Weldable clamping bar
- LSC version with locking spring clip for securing the handle in the open position
- DESTACO® Toggle Lock Plus™ (503-MLBR)
- Modular design allows you to set up the clamp to meet application requirements
- 5 handle colors (503-MLBR only) - see page MC-PRO-7 for details

Applications:

- Welding
- Assembly
- Heavy duty, production clamping applications

Also Available:

See page MC-VHD-47 for accessories

503-MB
Swivel Base



503-MLB
Long Base



503-MLBR
Long Base,
DESTACO®
Toggle Lock
Plus™



503-MBLSC ⓘ
Swivel Base
with Locking
Spring Clip



503-MLBLS ⓘ
Long Base
with Locking
Spring Clip



505-MB
Swivel Base



505-MLB
Long Base



505-MBLSC ⓘ
Swivel Base
with Locking
Spring Clip



505-MLBLS ⓘ
Long Base
with Locking
Spring Clip



506-MB
Swivel Base



506-MLB ⓘ
Long Base



506-MBLSC ⓘ
Swivel Base
with Locking
Spring Clip

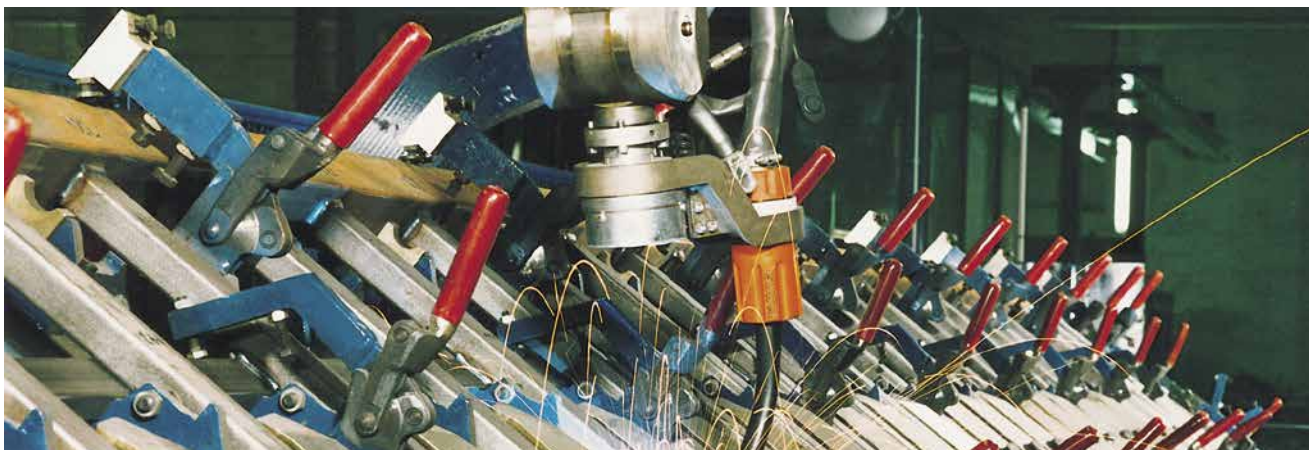


506-MLBLS ⓘ
Long Base
with Locking
Spring Clip



Model 505-MLB in a robotic welding fixture

ⓘ This item is available upon request



Weldable Vertical Hold Down Clamps | Technical Information

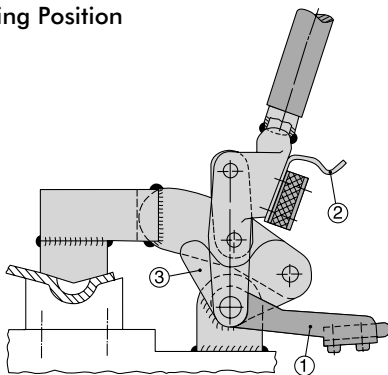
Model	Max. Holding Capacity	Clamp Bar Opening (+10°)	Weight
503-MB	[1575 lbf] 7000 N	200°	0,70 kg [1.54 lbs]
503-MLB			0,80 kg [1.76 lbs]
503-MLBR		90°	1,26 kg [2.78 lbs]
503-MBLSC ⓘ			0,80 kg [1.76 lbs]
503-MLBLSC ⓘ			0,90 kg [1.98 lbs]
505-MB	[2475 lbf] 11000 N	200°	1,40 kg [3.09 lbs]
505-MLB			1,50 kg [3.31 lbs]
505-MBLSC ⓘ			1,60 kg [3.53 lbs]
505-MLBLSC ⓘ			2,60 kg [5.73 lbs]
506-MB	[5060 lbf] 22500 N		2,80 kg [6.17 lbs]
506-MLB ⓘ			3,00 kg [6.61 lbs]
506-MBLSC ⓘ			
506-MLBLSC ⓘ			

Note:

The clamping bars are made from forged alloy steel and must be heated to 200°C (400°F) prior to welding. We recommend welding the handles, clamp arms, and mounting bases when disassembled. Welding of non pre-heated parts may only be done with the addition of welding fillers.

ⓘ This item is available upon request

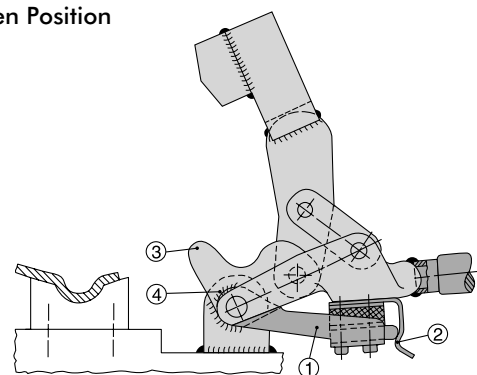
Clamping Position



Patented spring latch hold-open device

1. Mount the clamp and place it in the closed position
2. Position the bracket in the leaf spring

Open Position

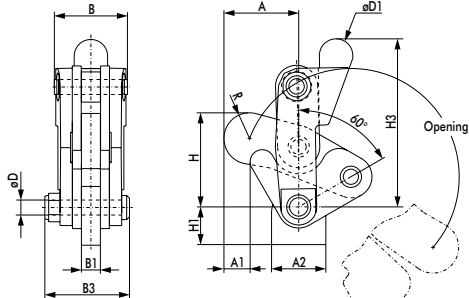


3. Swivel the clamp into the open position
4. In this position, weld the bracket with the bar guide feature at point

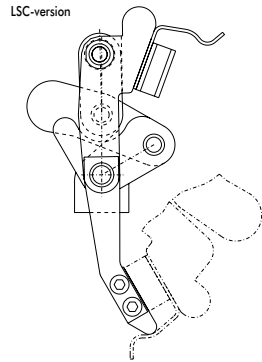
500 SERIES

Weldable Vertical Hold Down Clamps | Dimensions | -MB/-MLB/-MBLSC/-MLBLSC

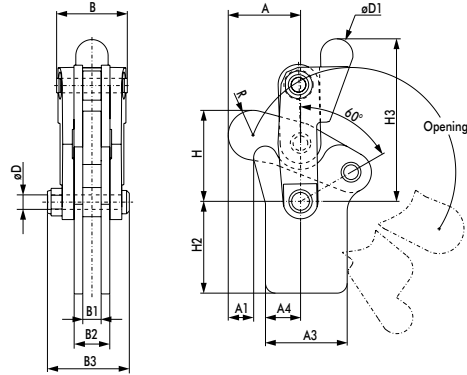
Swivel Base



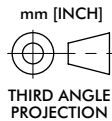
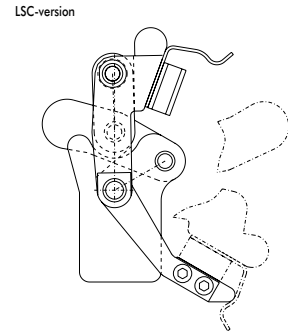
503-MB
Swivel Base



Long Base



503-MLB
Long Base



Swivel Base Dimensions

Model	A	A1	A2	B	B1	B3	ØD	ØD1	H	H1	H3	R
503-MB	[1.54]	[0.50]	[1.12]	[1.52]	[0.39]	[1.82]	[0.31]	[0.69]	[1.96]	[0.79]	[3.51]	[0.53]
503-MBLSC ⓘ	39,2	12,8	28,5	38,5	10	46,2	8	17,5	49,8	20	89,1	13,5
505-MB	[2.22]	[1.02]	[1.38]	[1.89]	[0.48]	[2.31]	[0.37]	[0.87]	[2.79]	[1.10]	[4.33]	[0.72]
505-MBLSC ⓘ	56,5	25,9	35	48	12,3	58,6	9,5	22,2	70,8	28	110,1	18,3
506-MB	[2.82]	[1.27]	[1.97]	[1.91]	[0.63]	[2.72]	[0.47]	[0.94]	[3.45]	[1.29]	[5.30]	[0.84]
506-MBLSC ⓘ	71,7	32,3	50	48,4	16	69	12	24	87,7	32,8	134,6	21,4

Long Base Dimensions

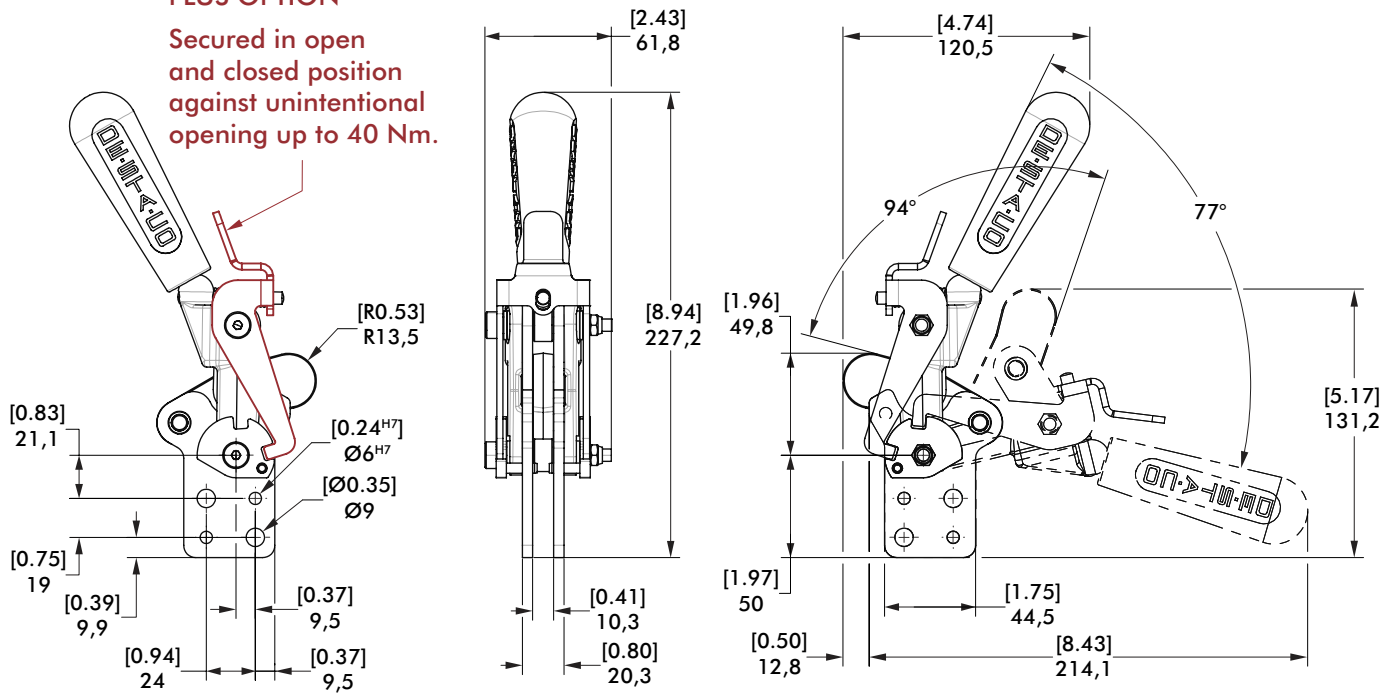
Model	A	A1	A3	A4	B	B1	B2	B3	ØD	ØD1	H	H2	H3	R
503-MLB	[1.54]		[1.75]	[0.75]	[1.52]	[0.39]	[0.79]	[1.82]	[0.31]	[0.69]	[1.96]	[1.97]	[3.51]	[0.53]
503-MLBLSC ⓘ	39,2		44,5	19	38,5	10	20	46,2	8	17,5	49,8	50	89,1	13,5
505-MLB	[2.22]	[1.02]	[2.09]	[1.08]	[1.89]	[0.48]	[0.88]	[2.31]	[0.37]	[0.87]	[2.79]	[2.50]	[4.33]	[0.72]
505-MLBLSC ⓘ	56,5	25,9	53	27,5	48	12,3	22,3	58,6	9,5	22,2	70,8	63,5	110,1	18,3
506-MLB	[2.82]	[1.27]	[2.58]	[1.45]	[1.91]	[0.63]	[1.10]	[2.72]	[0.47]	[0.94]	[3.45]	[3.00]	[5.30]	[0.84]
506-MLBLSC ⓘ	71,7	32,3	65,5	36,9	48,4	16	28	69	12	24	87,7	76,2	134,6	21,4

Dimensions and technical information are subject to change without notice

Long Base with DESTACO® Toggle Lock Plus

DESTACO® TOGGLE LOCK PLUS OPTION

Secured in open and closed position against unintentional opening up to 40 Nm.



503-MLBR Long Base, DESTACO® Toggle Lock Plus™



Color Handles
Available on this model.
Add -Y, -G, -B, -K
to end of model number.



500 SERIES

Weldable Vertical Hold Down Clamps | Accessories

Features:

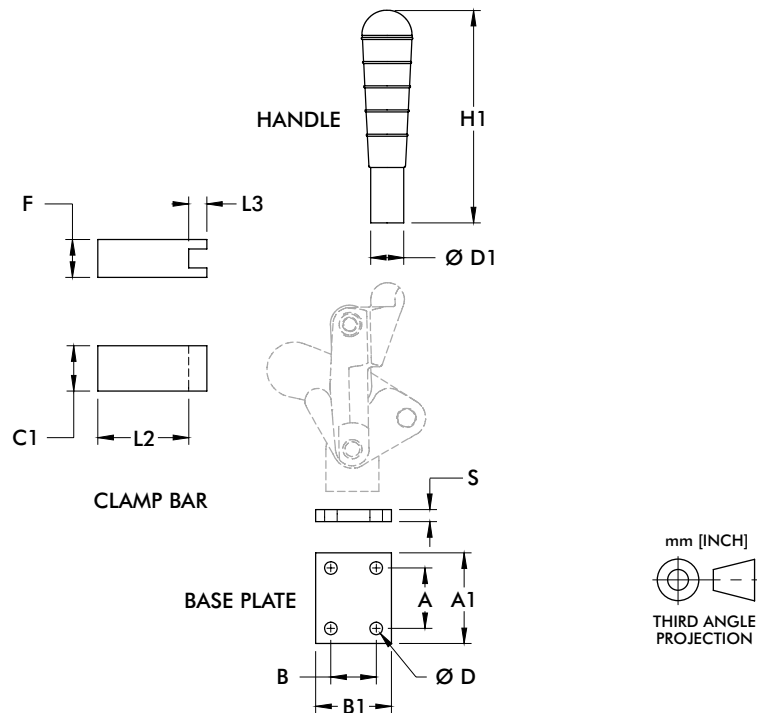
- Used with 500 Series Vertical Clamps
- Allows you to customize the clamp to suit application requirements

Applications:

- Welding
- Assembly
- Heavy duty, production clamping applications

Also Available:

See page MC-VHD-43 for clamp linkage



Use with	Part No.	Handle*		Clamping Bar				Base Plate					
		ØD1	H1	C1	F	L2	L3	A	A1	B	B1	ØD	S
503	503503-L	Ø18	129.5	-	-	-	-	-	-	-	-	-	-
	503501	-	-	25	20	50	8	-	-	-	-	-	-
	503502	-	-	-	-	-	-	25	40	35	50	6.3	8
505	505503-L	Ø22	159	-	-	-	-	-	-	-	-	-	-
	505501	-	-	30	25	60	12	-	-	-	-	-	-
	505502	-	-	-	-	-	-	40	60	30	50	8.1	8
506	506503-L	Ø28	188	-	-	-	-	-	-	-	-	-	-
	506501	-	-	35	30	75	15	-	-	-	-	-	-
	506502	-	-	-	-	-	-	50	70	45	65	8.1	8

*Handle comes standard on 503-MLBR. Note: Dimensions shown in millimeters.