

### Features:

- Designed for welding or bolting at any point along the mounting bar
- Includes M10 swivel foot spindle
- Model 345-G includes sliding jaw with spindle

### Applications:

- Welding fixtures
- Assembly fixtures
- Closures for doors, lids, covers

### Also Available:

See page MC-ACC-1 for accessories

345,  
345-G ⓘ



### Color Handles

Available on this model.\*  
Add **-Y, -G, -B, -K** to end of model number.

\*Excludes locking lever.

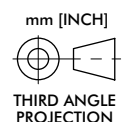
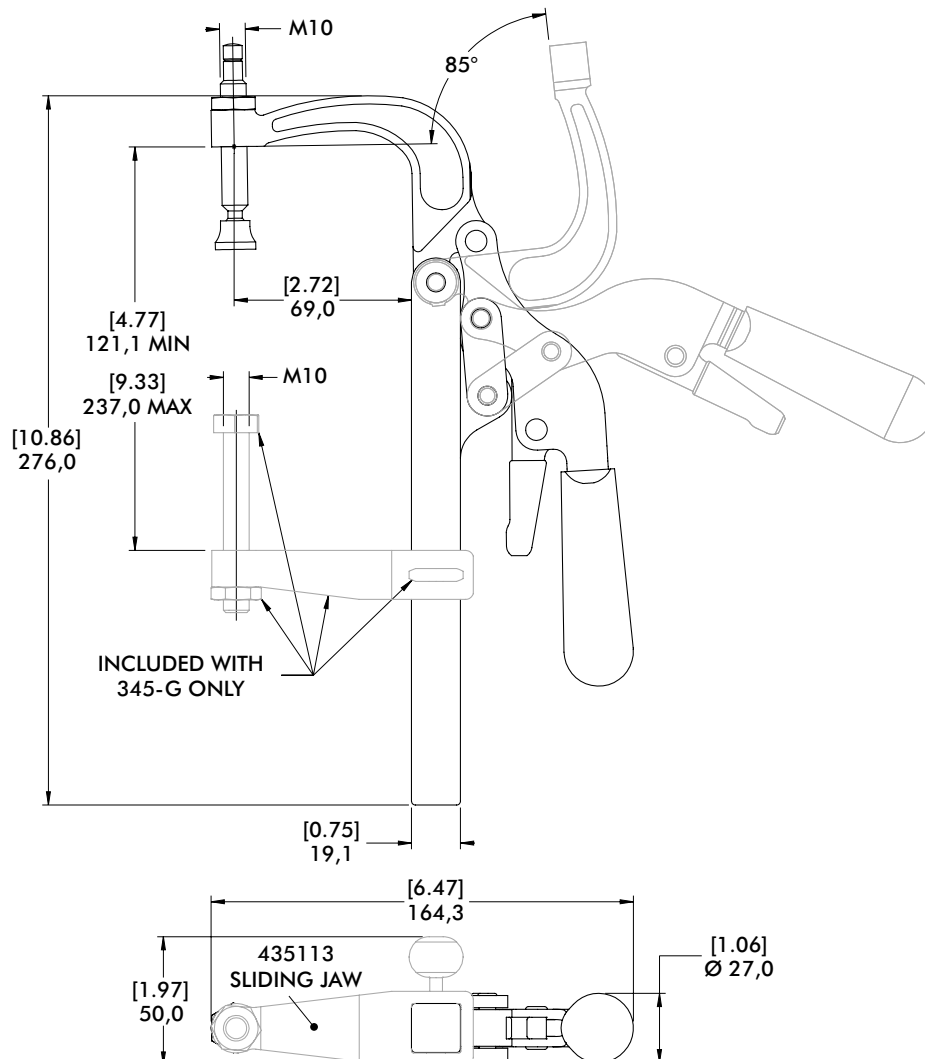


### Technical Information | Holding Capacities

Model	Max. Holding Capacity	Weight	Jaw Opening	Spindle (Supplied)
345	[800 lbf] 3560 N	[2.69 lbs] 1,22 kg	85°	468206-M
345-G ⓘ		[3.09 lbs] 1,40 kg		468206-M 210203-M

ⓘ This item is available upon request.

### Dimensions



Dimensions and technical information are subject to change without notice