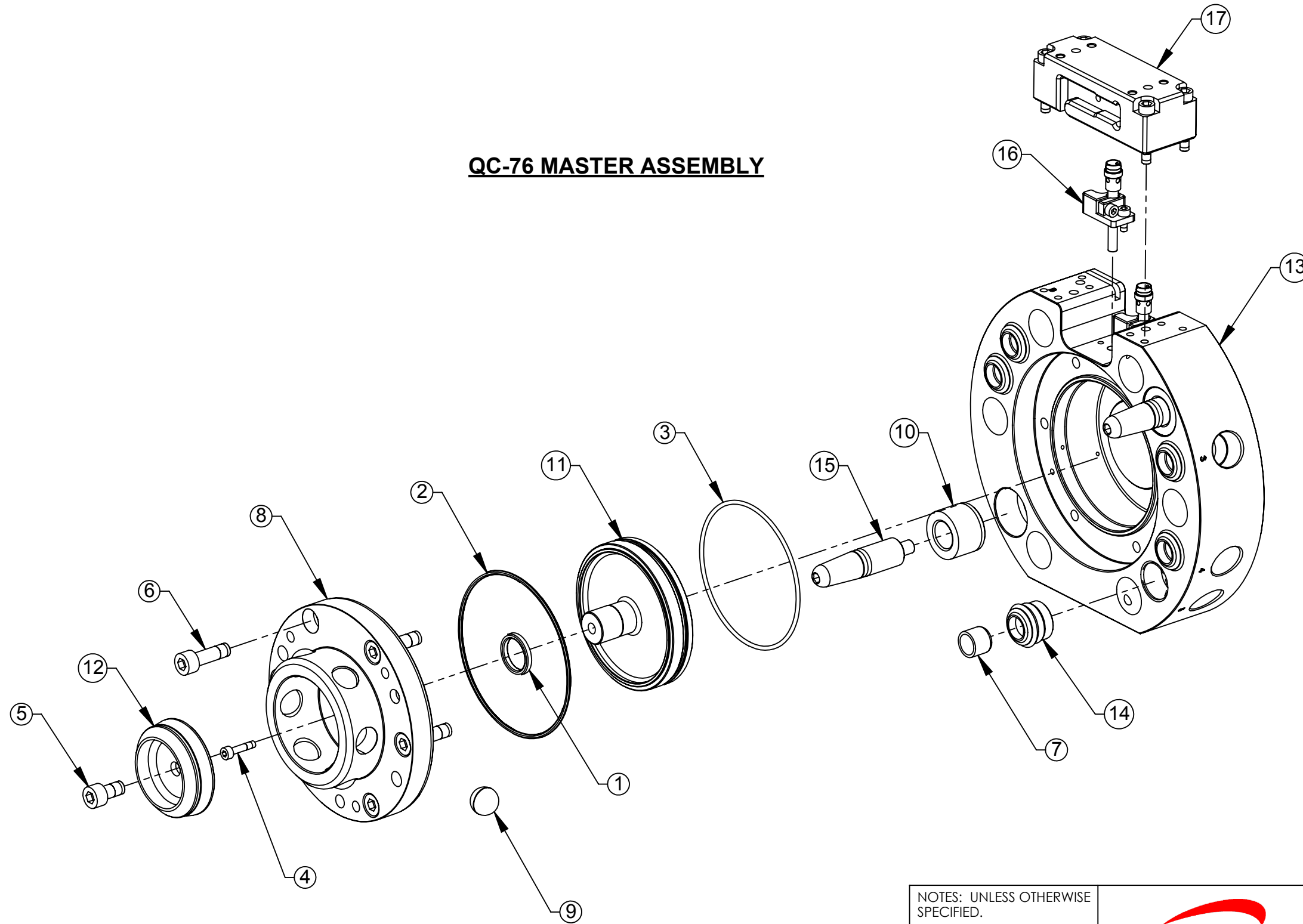




**QC-76 MASTER ASSEMBLY**



NOTES: UNLESS OTHERWISE SPECIFIED.

DO NOT SCALE DRAWING. ALL DIMENSIONS ARE IN MILLIMETERS.



3rd ANGLE PROJECTION

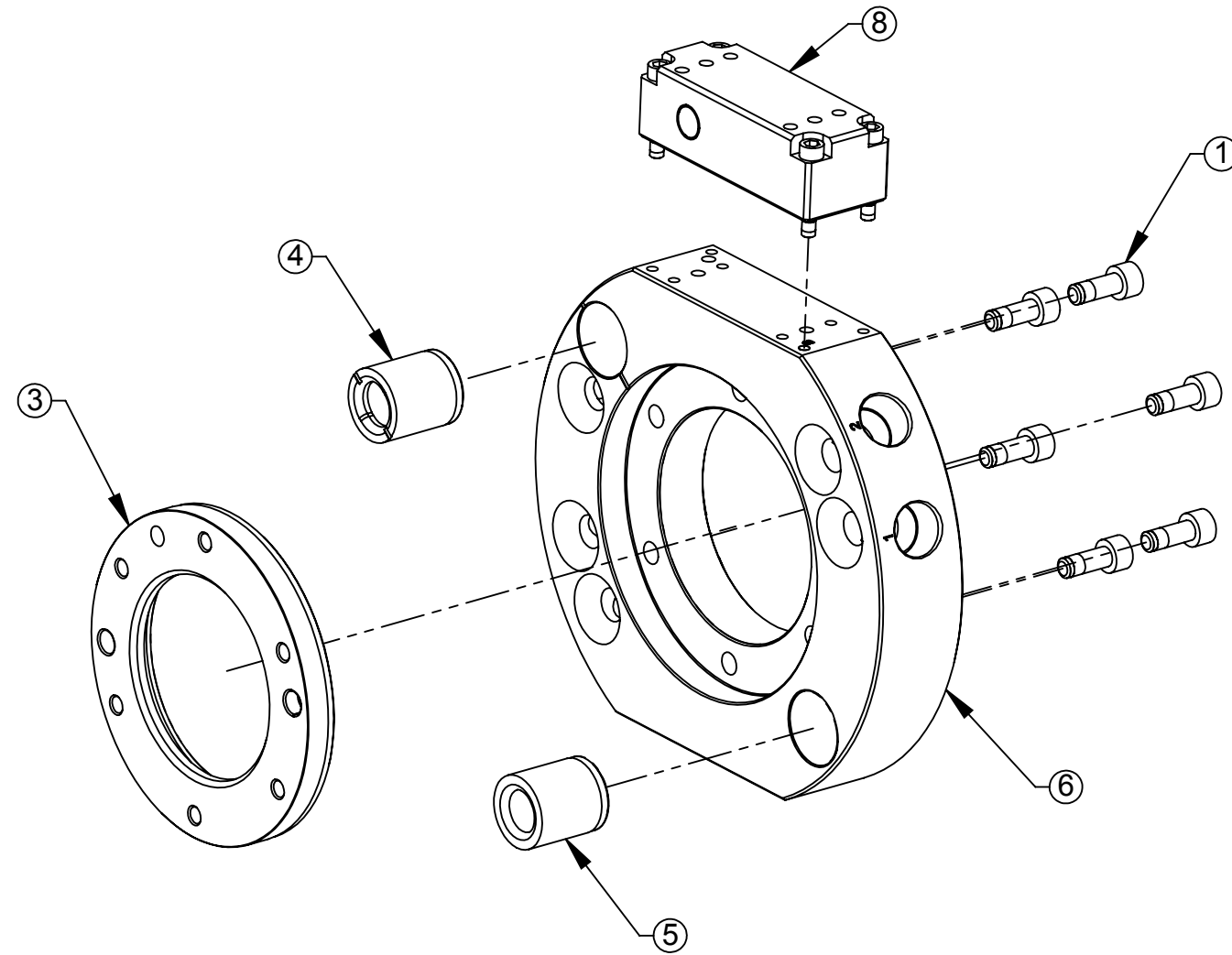


1031 Goodworth Drive, Apex, NC 27539, USA  
 Tel: +1.919.772.0115 Email: info@ati-ia.com  
 Fax: +1.919.772.8259 www.ati-ia.com  
 ISO 9001 Registered Company

PROPERTY OF ATI INDUSTRIAL AUTOMATION, INC. NOT TO BE REPRODUCED IN ANY MANNER EXCEPT ON ORDER OR WITH PRIOR WRITTEN AUTHORIZATION OF ATI.

DRAWN BY: B. Digeso, 8/29/08		TITLE		
CHECKED BY: D.Wagner 9/12/11		QC-76 Base Tool Changer		
PROJECT #	080730-3	SHEET	2	OF 3
SCALE	1:2	SIZE	B	DRAWING NUMBER
				9630-20-076
				REVISION
				07

**QC-76 TOOL ASSEMBLY**



NOTES: UNLESS OTHERWISE SPECIFIED.

DO NOT SCALE DRAWING. ALL DIMENSIONS ARE IN MILLIMETERS.



3rd ANGLE PROJECTION



PROPERTY OF ATI INDUSTRIAL AUTOMATION, INC. NOT TO BE REPRODUCED IN ANY MANNER EXCEPT ON ORDER OR WITH PRIOR WRITTEN AUTHORIZATION OF ATI.

DRAWN BY: B. Digeso, 8/29/08		TITLE		
CHECKED BY: D.Wagner 9/12/11		QC-76 Base Tool Changer		
PROJECT #	080730-3	SHEET	3	OF 3
SCALE	1:2	SIZE	B	DRAWING NUMBER
				9630-20-076
				REVISION
				07