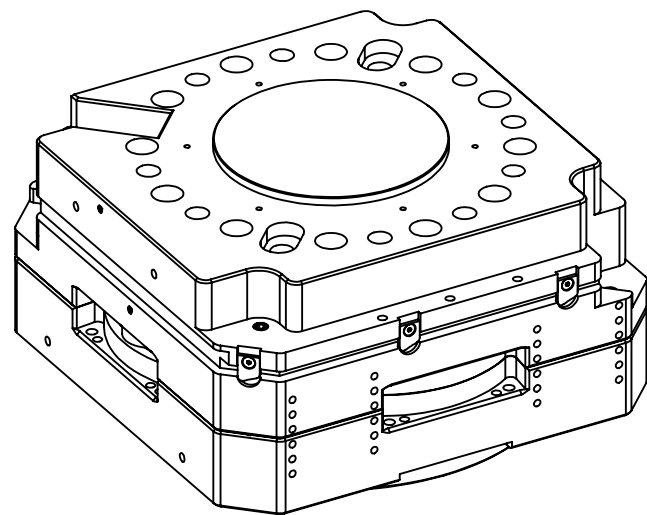
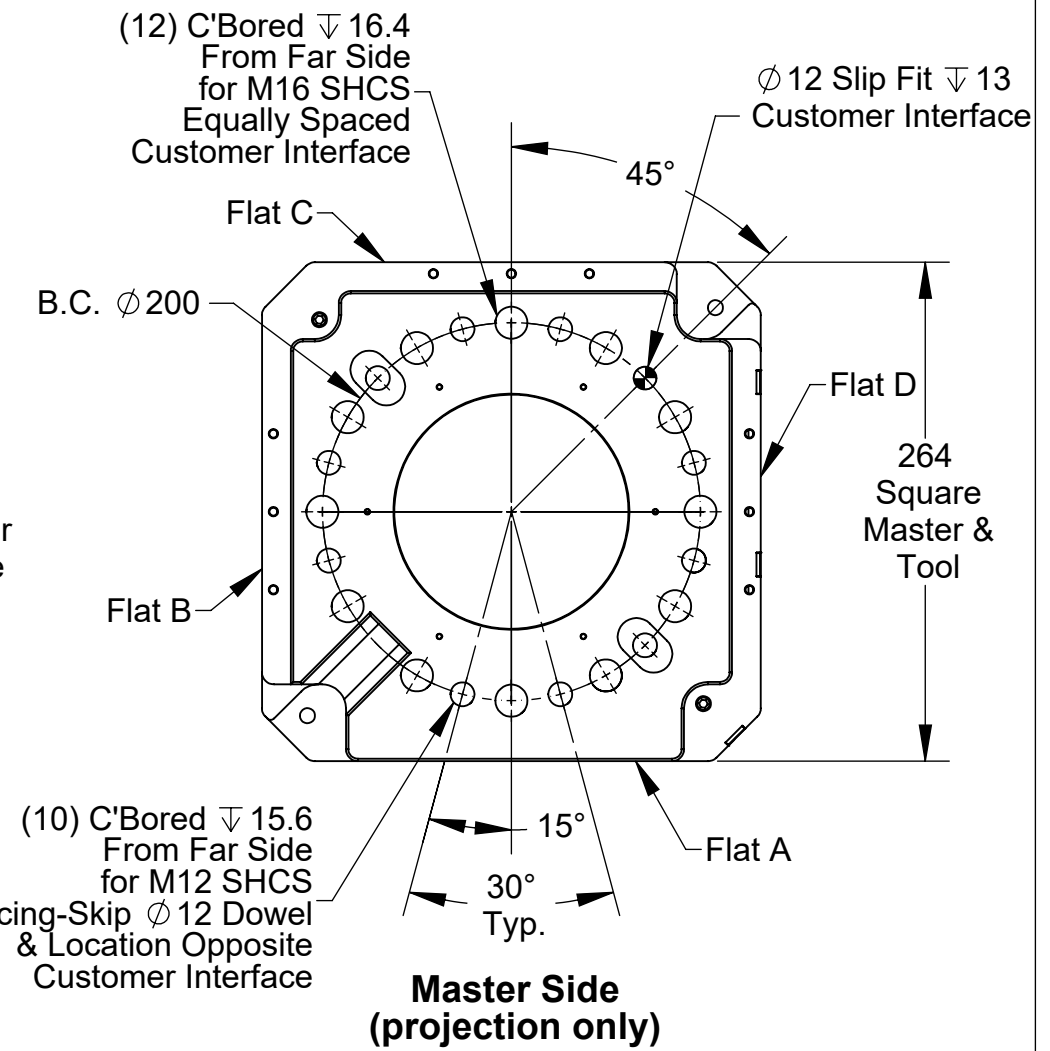
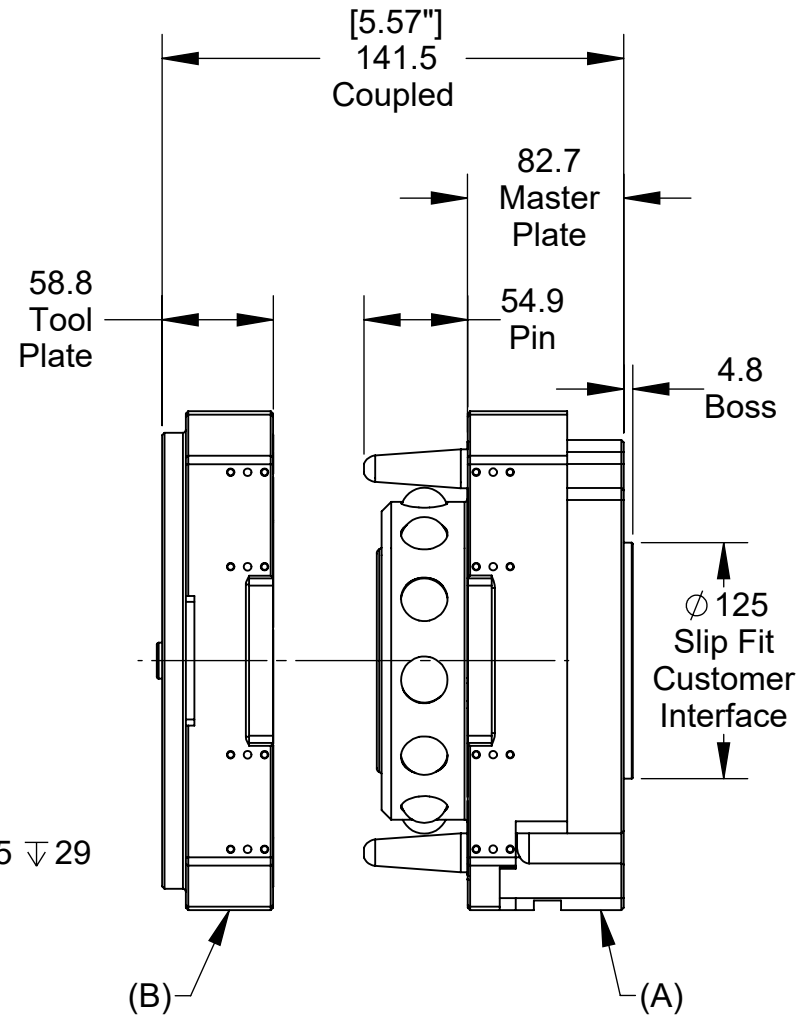
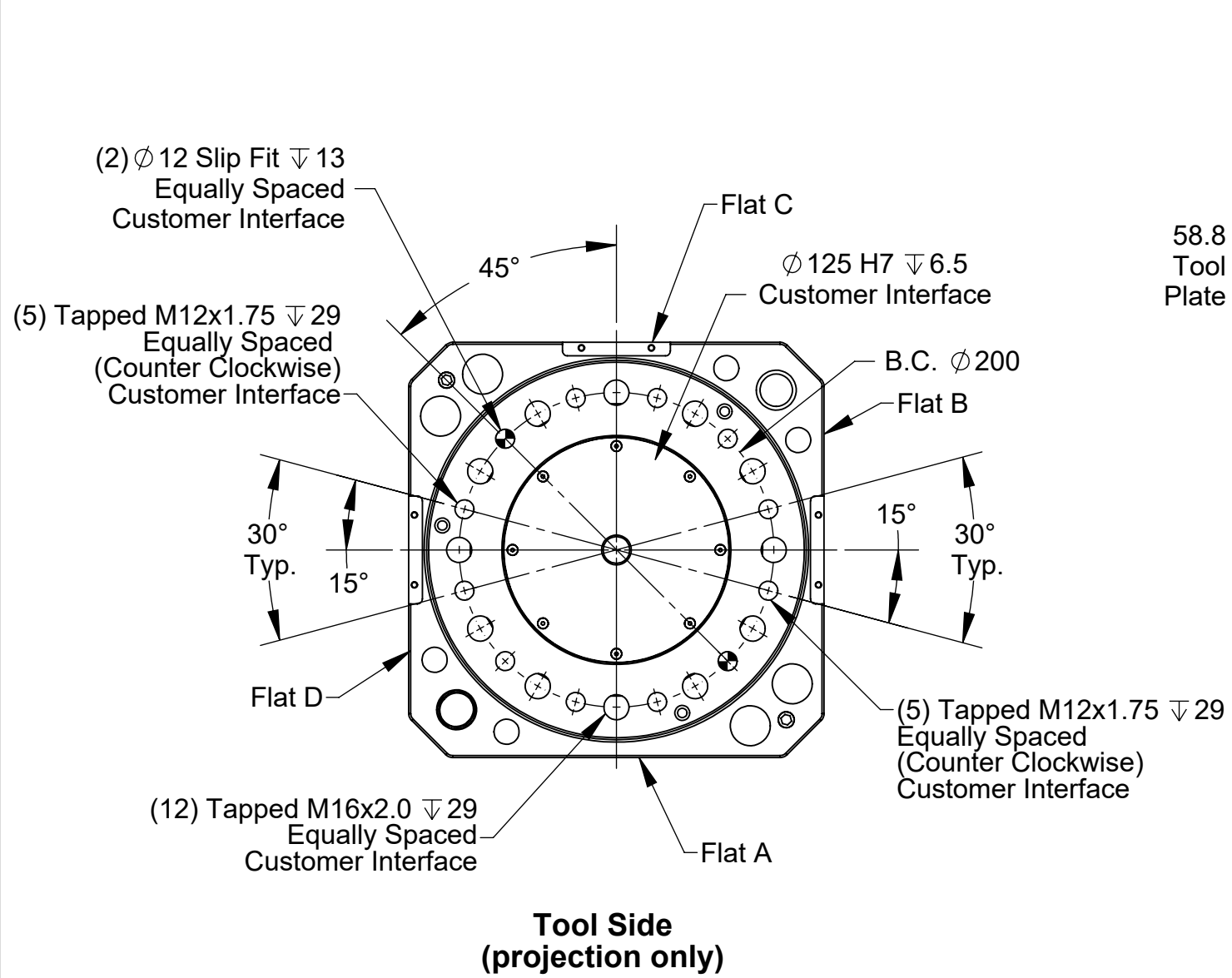


Rev.	Description	Initiator	Date
06	ECO 21234; Updated to reflect adding the 9005-20-1334 tool / race cover	DS	2/6/2023



Scale 1:4

Part Numbers:  
 (A) Master: 9121-510DMX-0-0-0-0  
 (B) Tool: 9121-510DT-0-0-0-0

NOTES: UNLESS OTHERWISE SPECIFIED.

DO NOT SCALE DRAWING.  
 ALL DIMENSIONS ARE IN MILLIMETERS.



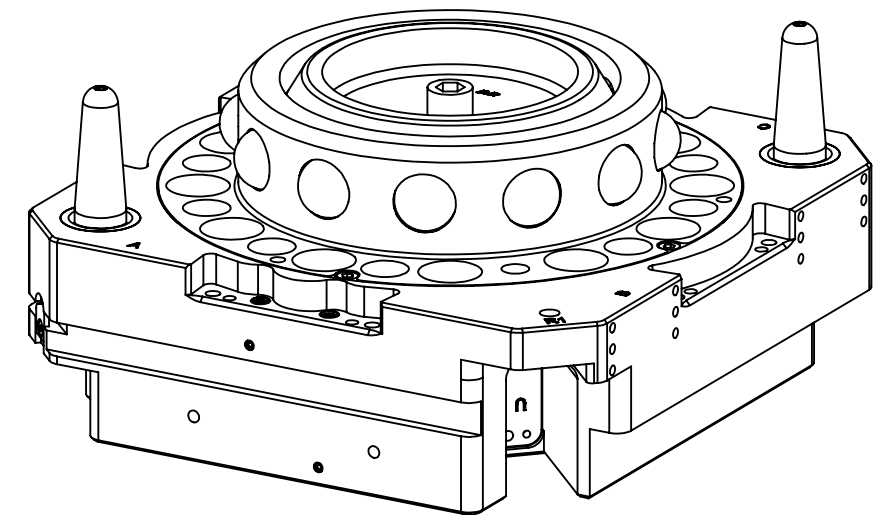
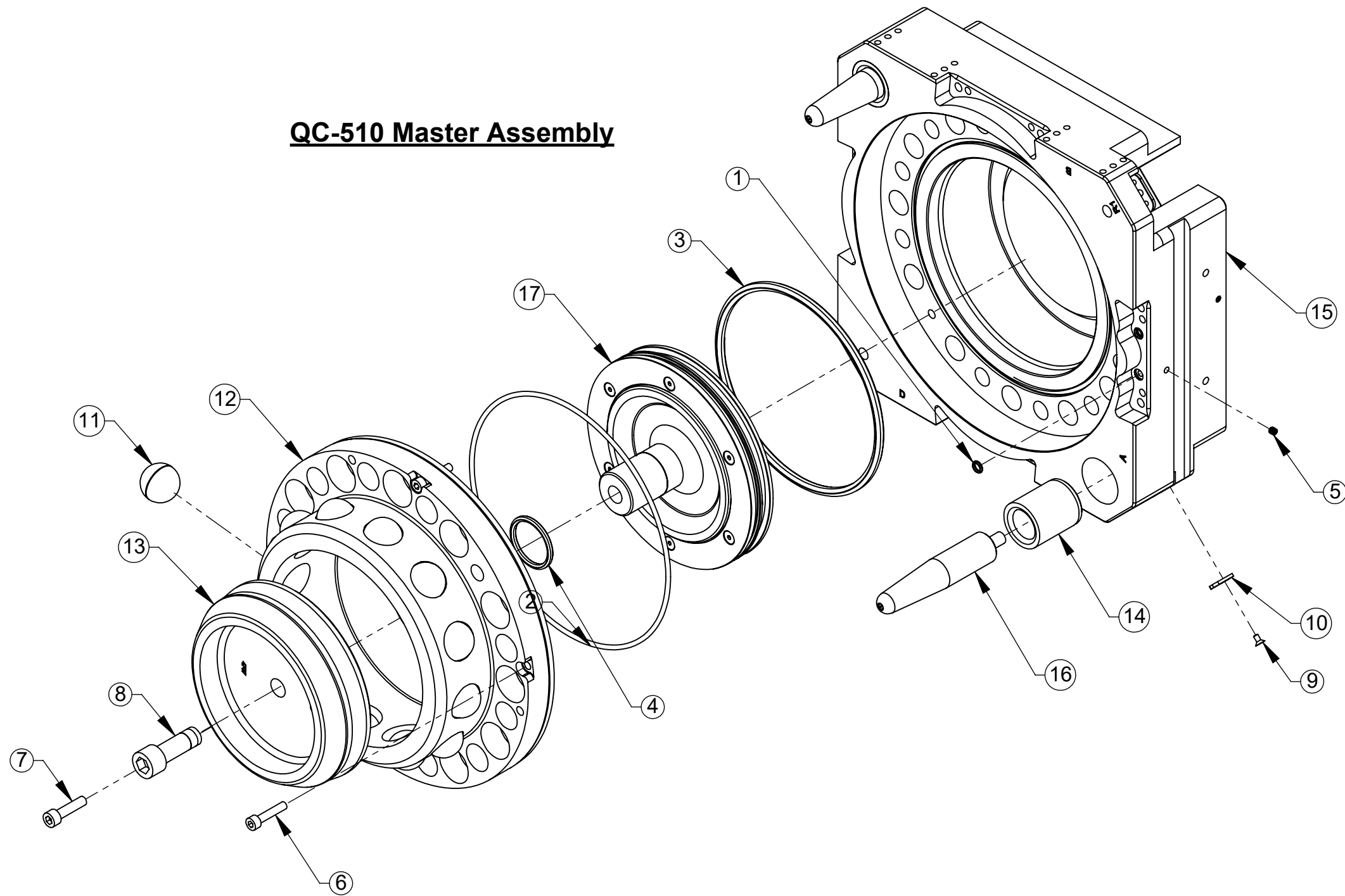
3rd ANGLE PROJECTION



PROPERTY OF ATI INDUSTRIAL AUTOMATION, INC. NOT TO BE REPRODUCED IN ANY MANNER EXCEPT ON ORDER OR WITH PRIOR WRITTEN AUTHORIZATION OF ATI.

DRAWN BY: D. Swanson 5/21/09		TITLE	
CHECKED BY: D.Norton 6/4/09		QC-510 Base Tool Changer	
PROJECT #	SHEET 1 OF 3	SCALE	REVISION
		1:4	06
		SIZE	
		B	
		DRAWING NUMBER	
		9630-20-510	

**QC-510 Master Assembly**



NOTES: UNLESS OTHERWISE SPECIFIED.

DO NOT SCALE DRAWING. ALL DIMENSIONS ARE IN MILLIMETERS.



3rd ANGLE PROJECTION

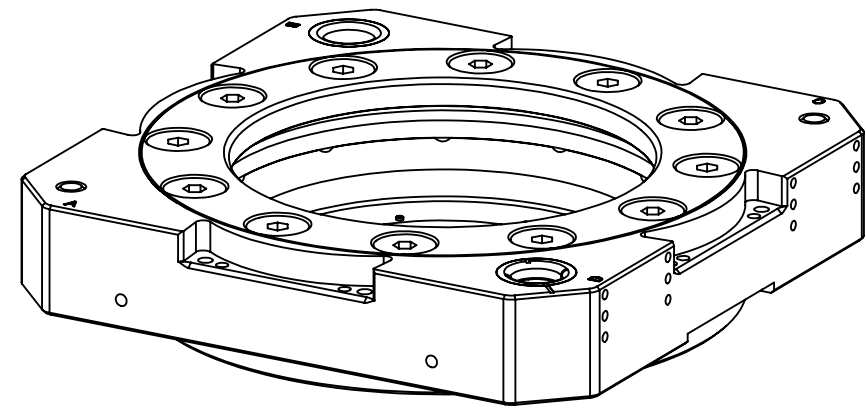
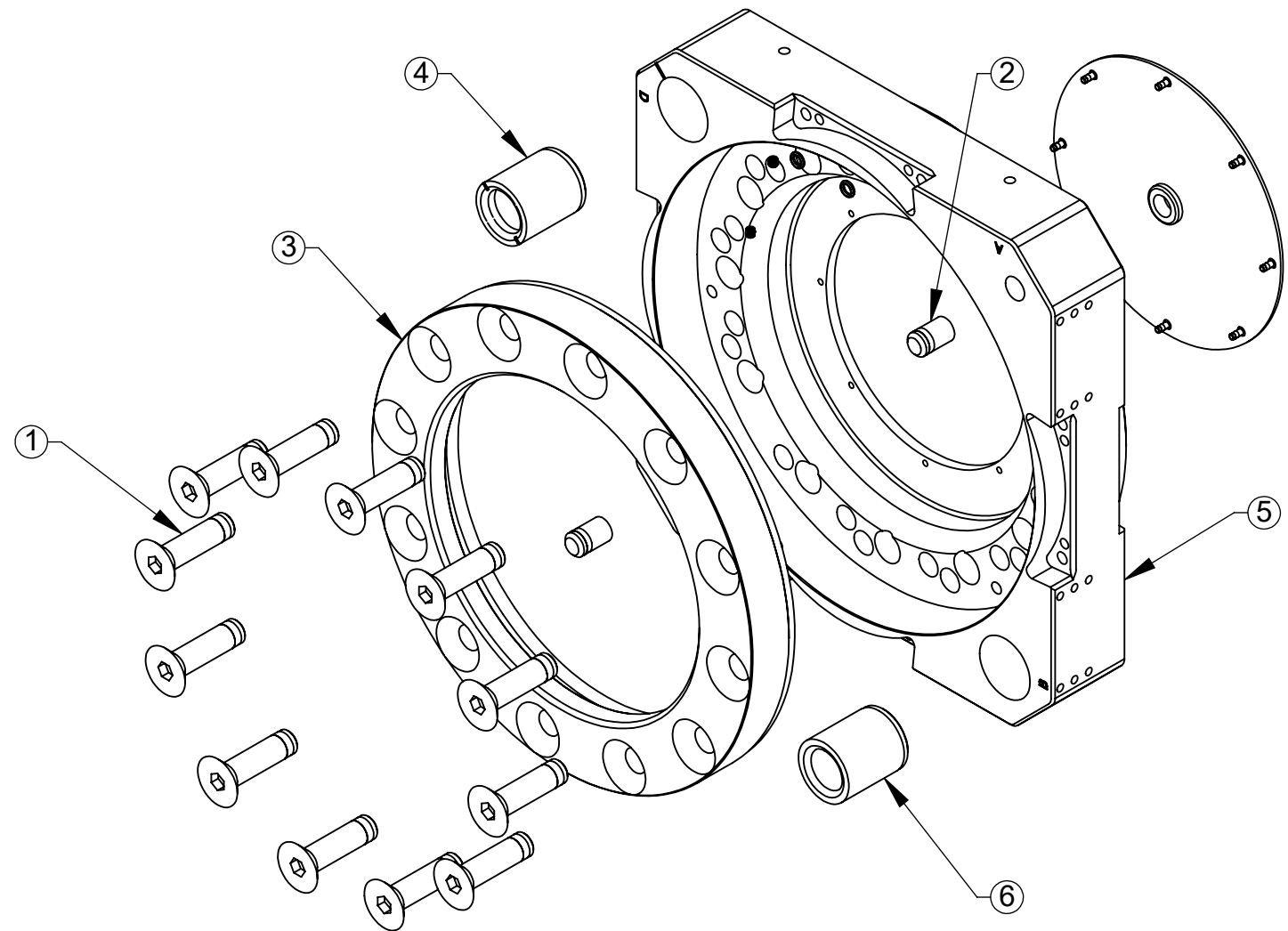


1031 Goodworth Drive, Apex, NC 27539, USA  
 Tel: +1.919.772.0115 Email: info@ati-ia.com  
 Fax: +1.919.772.8259 www.ati-ia.com  
 ISO 9001 Registered Company

PROPERTY OF ATI INDUSTRIAL AUTOMATION, INC. NOT TO BE REPRODUCED IN ANY MANNER EXCEPT ON ORDER OR WITH PRIOR WRITTEN AUTHORIZATION OF ATI.

DRAWN BY: D. Swanson 5/21/09		TITLE		
CHECKED BY: D.Norton 6/4/09		QC-510 Base Tool Changer		
PROJECT #	SHEET 2 OF 3	SCALE	SIZE	DRAWING NUMBER
		1:3	B	9630-20-510
				REVISION
				06

# QC-510 Tool Assembly



NOTES: UNLESS OTHERWISE SPECIFIED.

DO NOT SCALE DRAWING. ALL DIMENSIONS ARE IN MILLIMETERS.



3rd ANGLE PROJECTION



PROPERTY OF ATI INDUSTRIAL AUTOMATION, INC. NOT TO BE REPRODUCED IN ANY MANNER EXCEPT ON ORDER OR WITH PRIOR WRITTEN AUTHORIZATION OF ATI.

DRAWN BY: D. Swanson 5/21/09		TITLE		
CHECKED BY: D.Norton 6/4/09		QC-510 Base Tool Changer		
PROJECT #	SHEET 3 OF 3	SCALE	SIZE	DRAWING NUMBER
		1:3	B	9630-20-510
				REVISION
				06