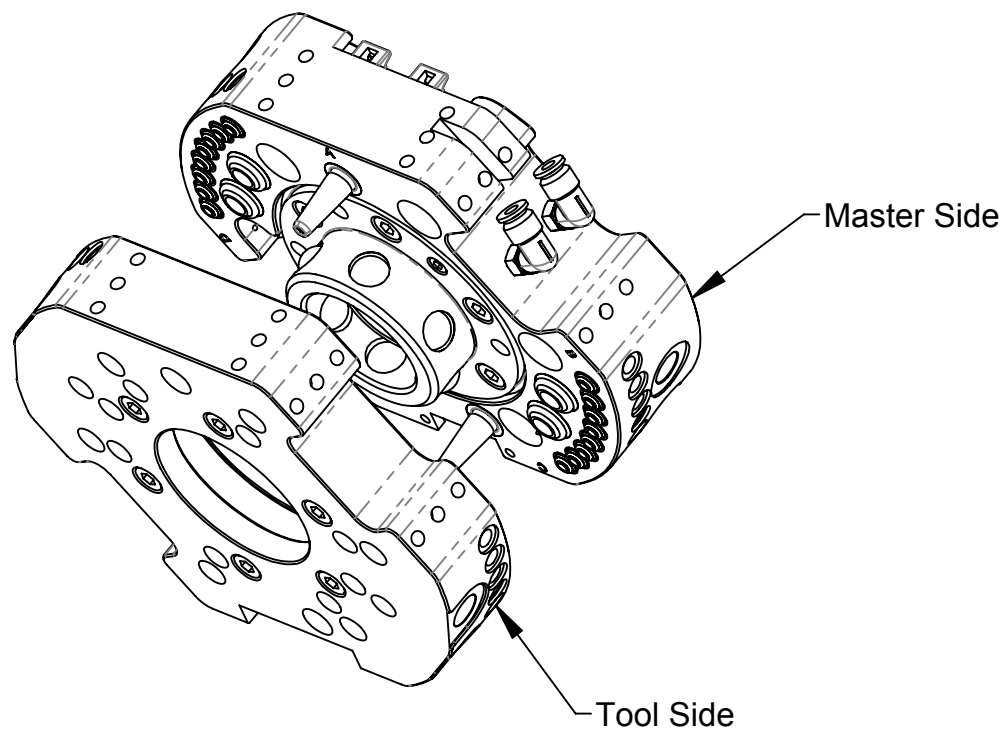
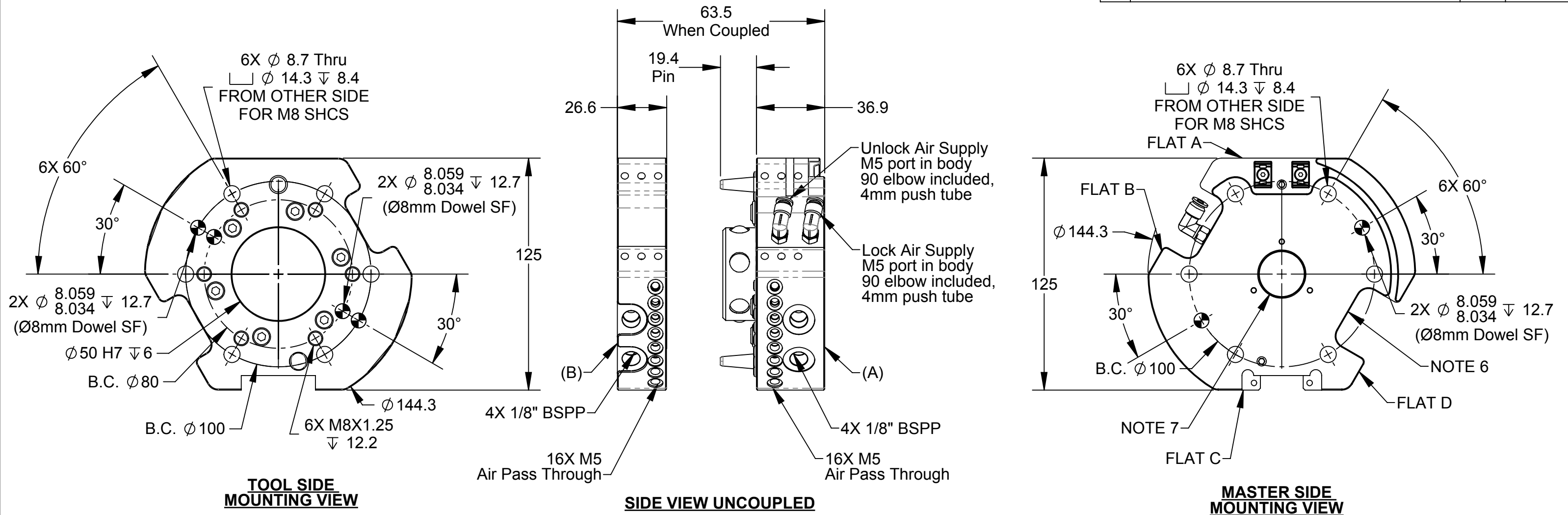


Rev.	Description	Initiator	Date
02	ECO 14903; Updated to show part numbers	SZJ	12/29/2016



**Notes:**

1. Unit features up to 4 utility module mounting flats. Consult ATI for specific configuration requirements.
2. Locking mechanism components are hardened 440C stainless steel.
3. Master and tool housings are soft coat black anodized aluminum.
4. Elbow fittings are included for lock and unlock air.
5. Unit features 16X M5 pass through air ports, and 4X 1/8" BSPP pass through air ports.
6. Unit features integrated lock and unlock sensing.
7. Optional center alignment boss available.
8. Unit utilizes QC-40Q locking mechanism components.

Part Numbers:  
 (A) Master: 9120-050AM-0-0-0-0-E  
 (B) Tool: 9120-050BT-0-0-0-0-E

NOTES: UNLESS OTHERWISE SPECIFIED.

DO NOT SCALE DRAWING. ALL DIMENSIONS ARE IN MILLIMETERS.



PROPERTY OF ATI INDUSTRIAL AUTOMATION, INC. NOT TO BE REPRODUCED IN ANY MANNER EXCEPT ON ORDER OR WITH PRIOR WRITTEN AUTHORIZATION OF ATI.

DRAWN BY: Dan Norton 10/31/14

CHECKED BY: B. Kendrick 10/31/14

TITLE

QC-50 General Dimensions

PROJECT # 140812-1 SHEET 1 OF 3

SCALE  
1:2

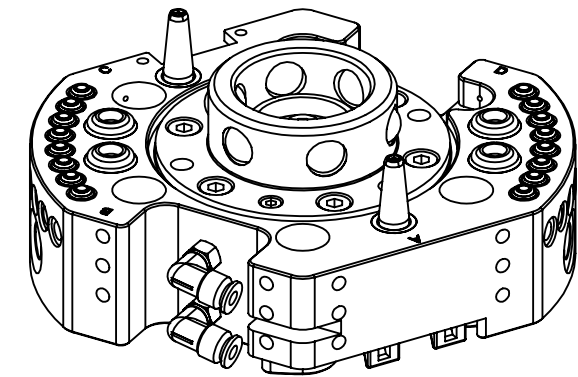
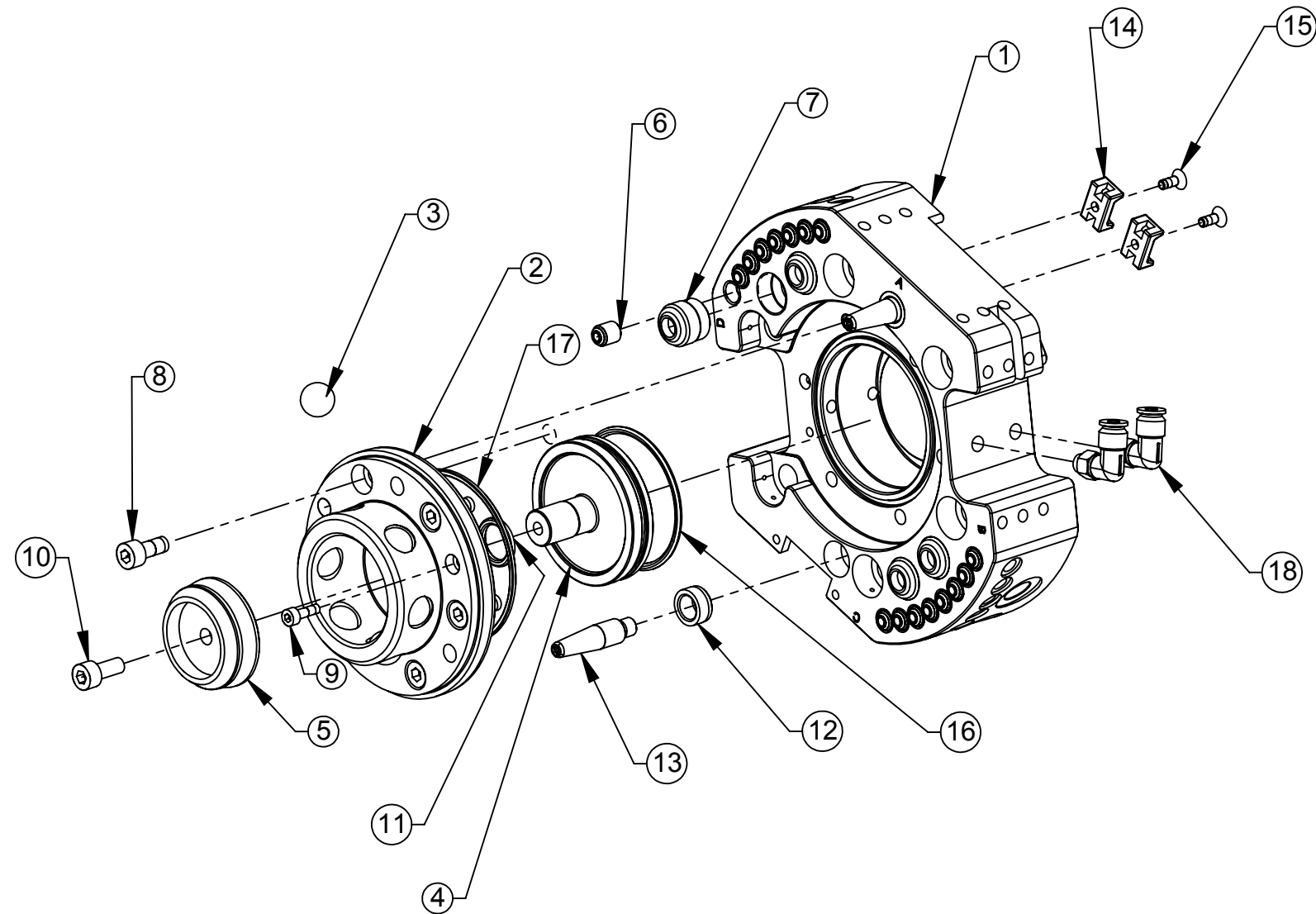
SIZE  
B

DRAWING NUMBER  
9630-20-050

REVISION  
02

Rev.	Description	Initiator	Date
-	See Sheet1	-	-

# QC-50 Master Assembly



NOTES: UNLESS OTHERWISE SPECIFIED.

DO NOT SCALE DRAWING. ALL DIMENSIONS ARE IN MILLIMETERS.



3rd ANGLE PROJECTION



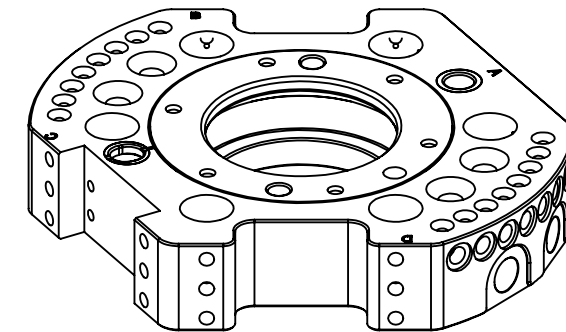
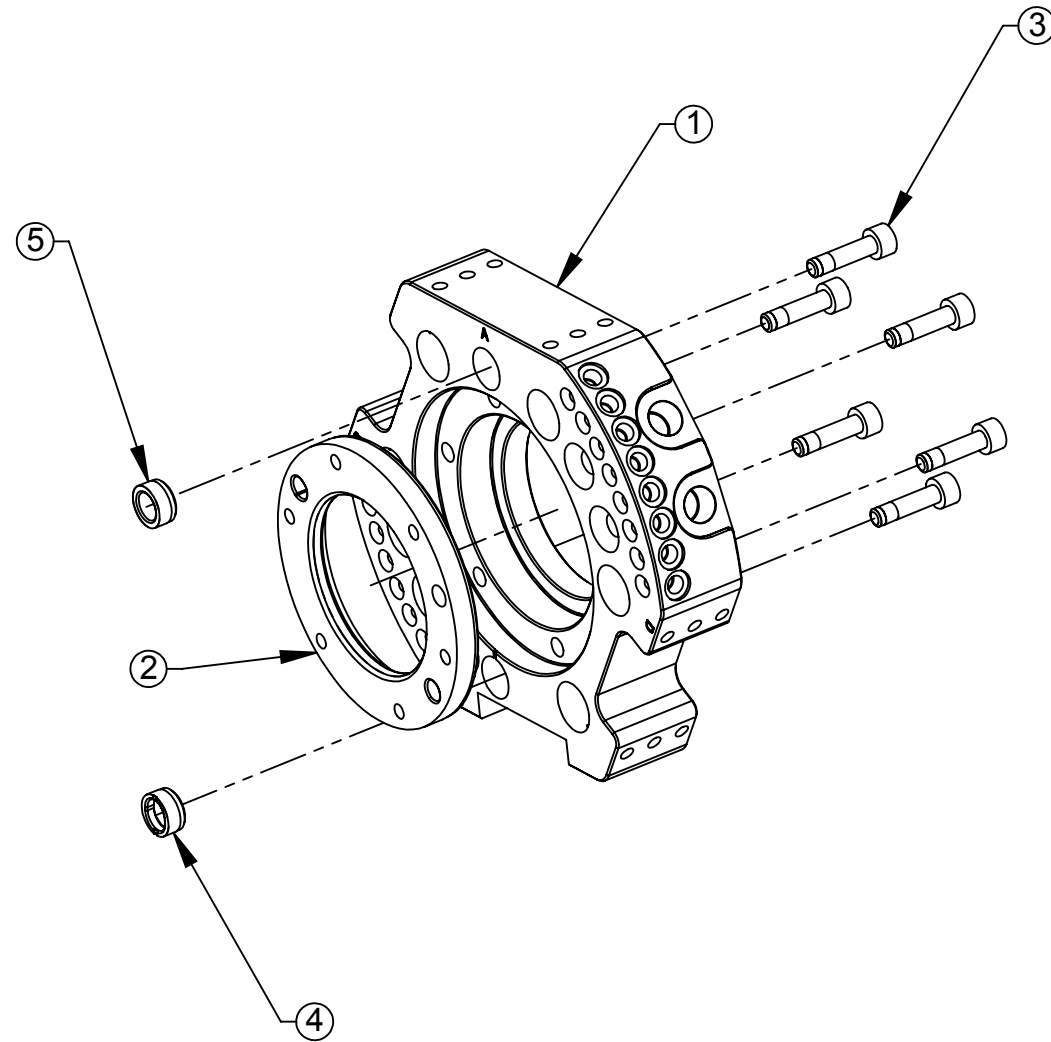
1031 Goodworth Drive, Apex, NC 27539, USA  
 Tel: +1.919.772.0115 Email: info@ati-ia.com  
 Fax: +1.919.772.8259 www.ati-ia.com  
 ISO 9001 Registered Company

PROPERTY OF ATI INDUSTRIAL AUTOMATION, INC. NOT TO BE REPRODUCED IN ANY MANNER EXCEPT ON ORDER OR WITH PRIOR WRITTEN AUTHORIZATION OF ATI.

DRAWN BY: Dan Norton 10/31/14		TITLE	
CHECKED BY: B. Kendrick 10/31/14		QC-50 General Dimensions	
PROJECT # 140812-1	SHEET 2 OF 3	SCALE 1:5	SIZE B
		DRAWING NUMBER 9630-20-050	REVISION 02

Rev.	Description	Initiator	Date
-	See Sheet1	-	-

## QC-50 Tool Assembly



NOTES: UNLESS OTHERWISE SPECIFIED.

DO NOT SCALE DRAWING.  
ALL DIMENSIONS ARE IN MILLIMETERS.



3rd ANGLE PROJECTION



PROPERTY OF ATI INDUSTRIAL AUTOMATION, INC. NOT TO BE REPRODUCED IN ANY MANNER EXCEPT ON ORDER OR WITH PRIOR WRITTEN AUTHORIZATION OF ATI.

DRAWN BY: Dan Norton 10/31/14

CHECKED BY: B. Kendrick 10/31/14

TITLE

QC-50 General Dimensions

PROJECT # 140812-1 SHEET 3 OF 3

SCALE

1:5

SIZE

B

DRAWING NUMBER

9630-20-050

REVISION

02