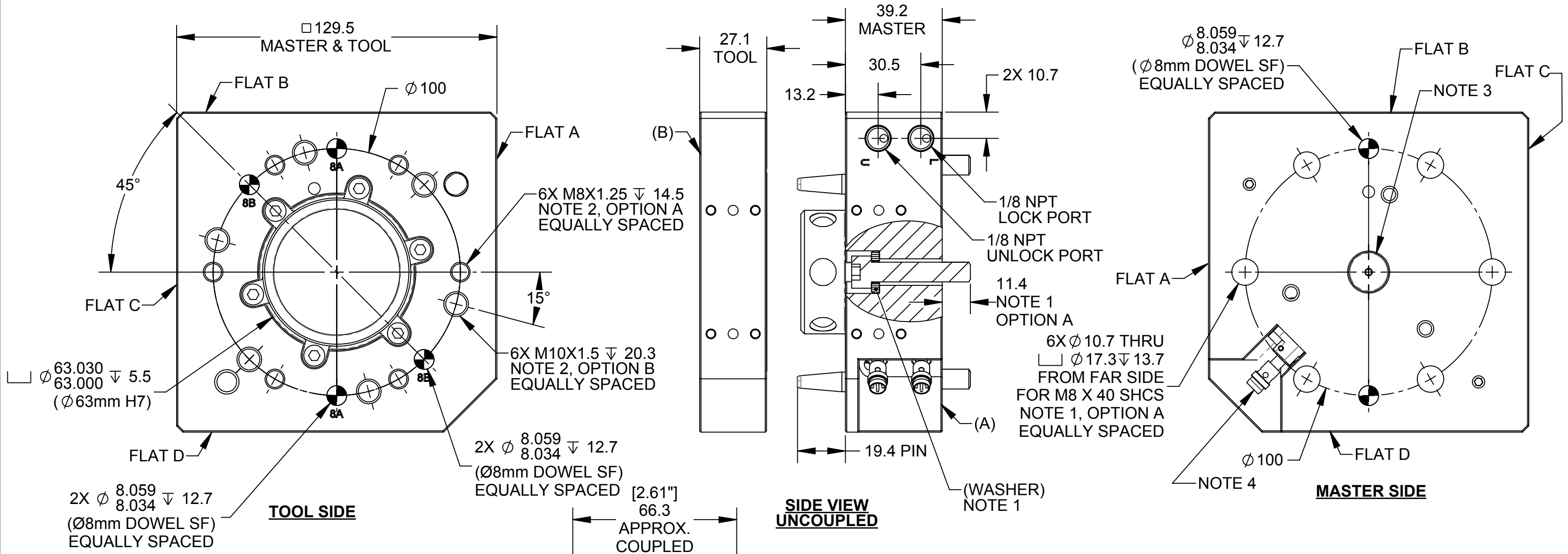
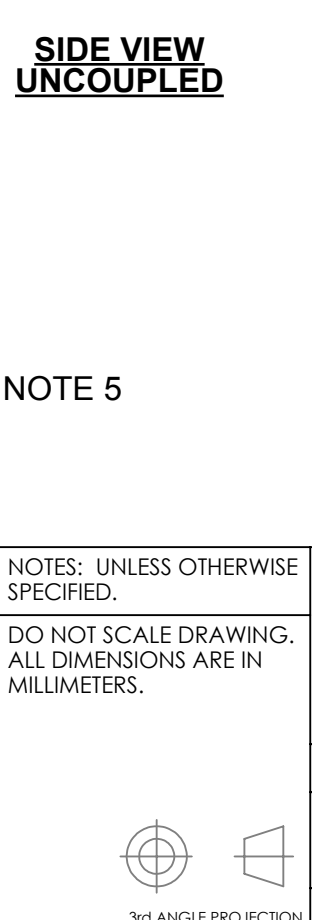
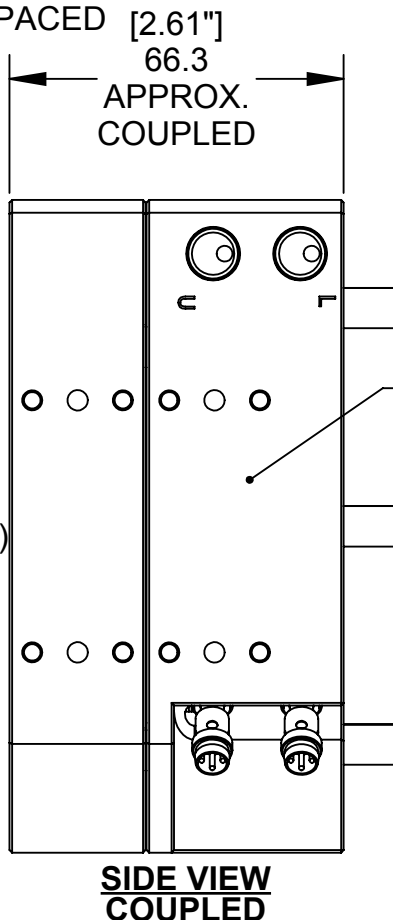


PART NUMBERS:
 (A) MASTER: 9120-046AM-0-0-000-0-SX
 (B) TOOL: 9120-046JT-0-0-000-0

Rev.	Description	Initiator	Date
05	ECO 19172: SHEET 1, SHEET 2: REMOVED "CUSTOMER INTERFACE" NOTATION, UPDATED NOTE 4, ADDED NOTE 6, REMOVED BOM. SHEET 3, SHEET 4: UPDATED DRAWING LABEL.	LJH	7/7/2020



- NOTES:
1. MASTER MOUNTING OPTIONS: (NO HARDWARE IS INCLUDED WITH MASTER ASSEMBLY BUT OPTIONAL FASTENER KITS ARE AVAILABLE)
 OPTION A: (FASTENER KIT PN: 9120-046M-FK-114A15A)
 6X M8 SHCS AS SHOWN ON SHEET 1. HARDWARE REQUIRES PRECISION WASHERS FOR USE WITH M8 SHCS.
 OPTION B: (FASTENER KIT PN: 9120-046M-FK-146B15A)
 6X M10 SHCS AS SHOWN ON SHEET 2.
 2. TOOL MOUNTING OPTIONS: (NO HARDWARE INCLUDED)
 OPTION A: 6X M8 SCREWS (LENGTH DETERMINED BY CUSTOMER)
 OPTION B: 6X M10 SCREWS (LENGTH DETERMINED BY CUSTOMER)
 OPTION C: 6X M6 X 30 SHCS AS SHOWN ON SHEET 2.
 3. OPTIONAL MASTER SIDE MOUNTING BOSSES AVAILABLE.
 4. -SX IN MASTER PART NUMBER DENOTES SENSOR OPTIONS ARE AVAILABLE.
 5. FOUR (4) FLATS AVAILABLE FOR OPTIONAL UTILITY MODULES. FLAT C OFFERS DUAL J16 MODULE MOUNTING OR SINGLE J16 CENTERED. OPTIONAL DUAL J16 ADAPTERS AVAILABLE TO MOUNT ADDITIONAL UTILITY MODULES ON FLATS B AND D. ADAPTERS CANNOT BE USED ON FLAT A.
 6. CONTACT ATI FOR FULL PART NUMBERS AND LIST OF OPTIONS.



ATI INDUSTRIAL AUTOMATION

PROPERTY OF ATI INDUSTRIAL AUTOMATION, INC. NOT TO BE REPRODUCED IN ANY MANNER EXCEPT ON ORDER OR WITH PRIOR WRITTEN AUTHORIZATION OF ATI.

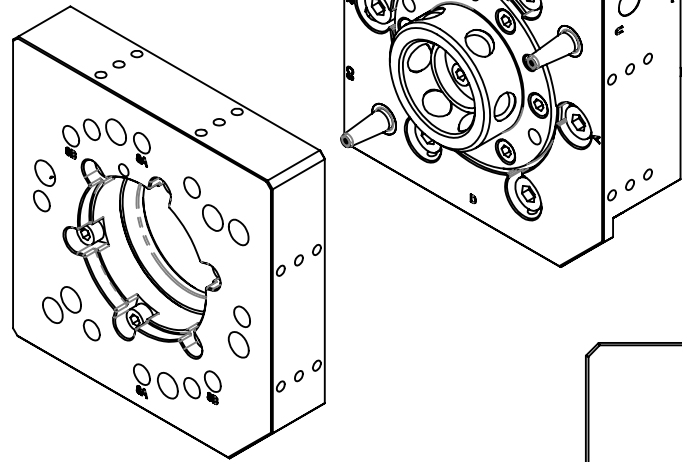
DRAWN BY: K. ZACHARY 08/29/16
 CHECKED BY: B. KENDRICK 09/06/16

TITLE
QC-46 TOOL CHANGER DRAWING

SCALE	SIZE	DRAWING NUMBER	REVISION
2:3	B	9630-20-046	05

PROJECT # 160404-2 SHEET 1 OF 4

ISO VIEW
SCALE 3:8



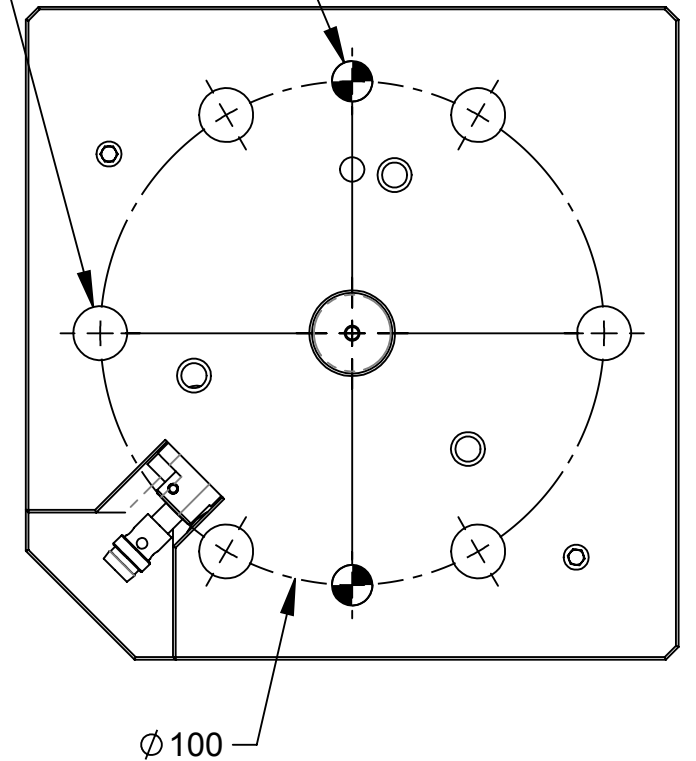
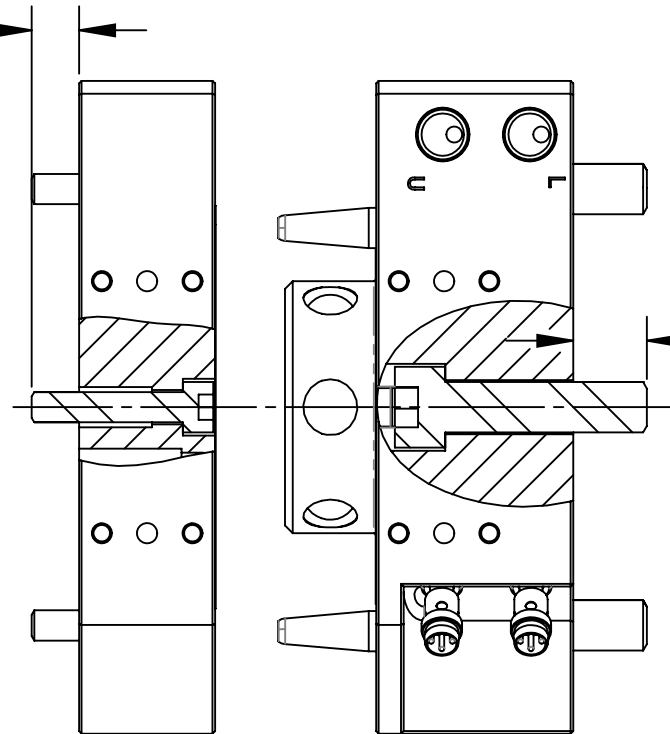
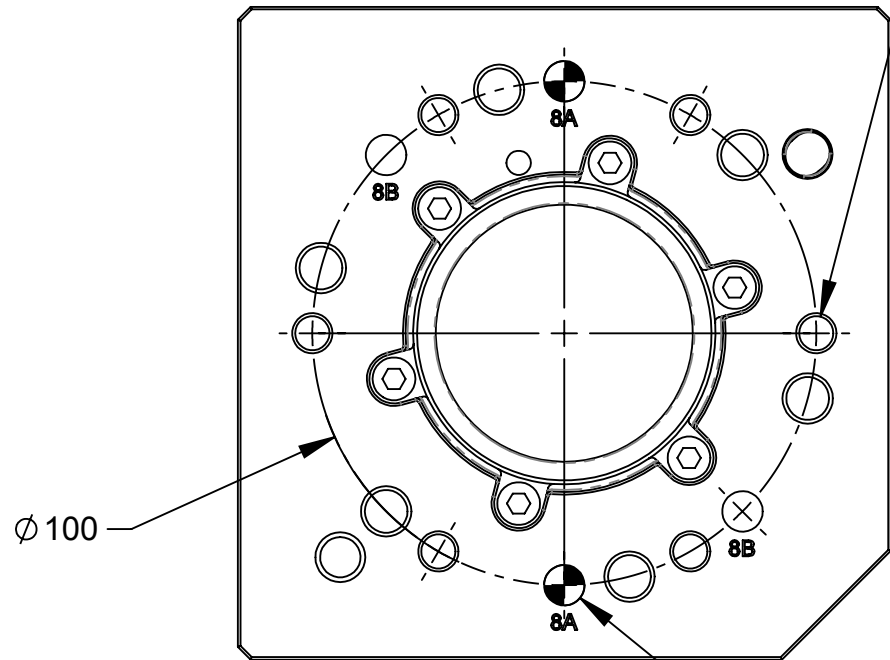
6X $\phi 6.8$ THRU
 $\square \phi 11.3 \nabla 6.4$
 FROM FAR SIDE
 FOR M6 X 30 SHCS
 NOTE 2, OPTION C
 EQUALLY SPACED

6X $\phi 10.7$ THRU
 $\square \phi 17.3 \nabla 13.7$
 FROM FAR SIDE
 FOR M10 X 40 SHCS
 NOTE 1, OPTION B
 EQUALLY SPACED

$\phi 8.059 \nabla 12.7$
 $\phi 8.034 \nabla 12.7$
 ($\phi 8$ mm DOWEL SF)
 EQUALLY SPACED

9.4
 NOTE 2
 OPTION C

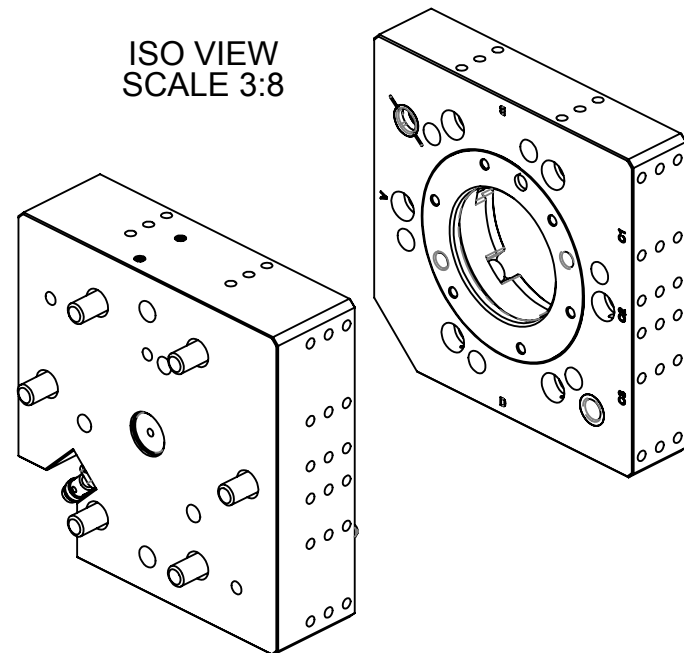
14.6
 NOTE 1
 OPTION B



2X $\phi 8.059 \nabla 12.7$
 $\phi 8.034 \nabla 12.7$
 ($\phi 8$ mm DOWEL SF)
 EQUALLY SPACED

SIDE VIEW
 UNCOUPLED
 ALTERNATE
 MOUNTING PATTERN

ISO VIEW
SCALE 3:8



NOTES: UNLESS OTHERWISE SPECIFIED.

DO NOT SCALE DRAWING.
 ALL DIMENSIONS ARE IN MILLIMETERS.



3rd ANGLE PROJECTION



1031 Goodworth Drive, Apex, NC 27539, USA
 Tel: +1.919.772.0115 Email: info@ati-ia.com
 Fax: +1.919.772.8259 www.ati-ia.com
 ISO 9001 Registered Company

PROPERTY OF ATI INDUSTRIAL AUTOMATION, INC. NOT TO BE REPRODUCED IN ANY MANNER EXCEPT ON ORDER OR WITH PRIOR WRITTEN AUTHORIZATION OF ATI.

DRAWN BY: K. ZACHARY 08/29/16

CHECKED BY: B. KENDRICK 09/06/16

PROJECT # 160404-2 SHEET 2 OF 4

TITLE

QC-46 TOOL CHANGER DRAWING

SCALE
2:3

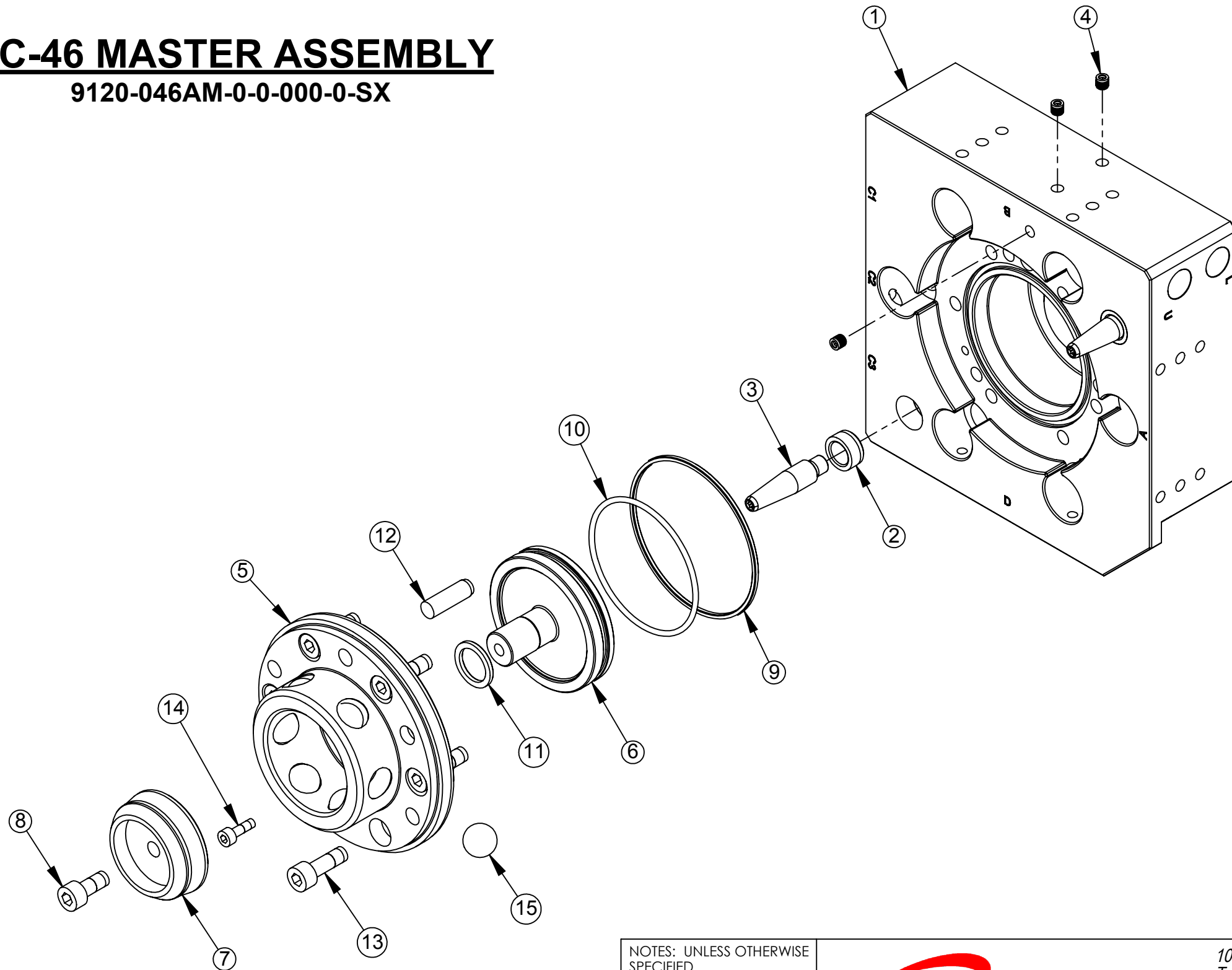
SIZE
B

DRAWING NUMBER
9630-20-046

REVISION
05

QC-46 MASTER ASSEMBLY

9120-046AM-0-0-000-0-SX



NOTES: UNLESS OTHERWISE SPECIFIED.

DO NOT SCALE DRAWING. ALL DIMENSIONS ARE IN MILLIMETERS.



3rd ANGLE PROJECTION



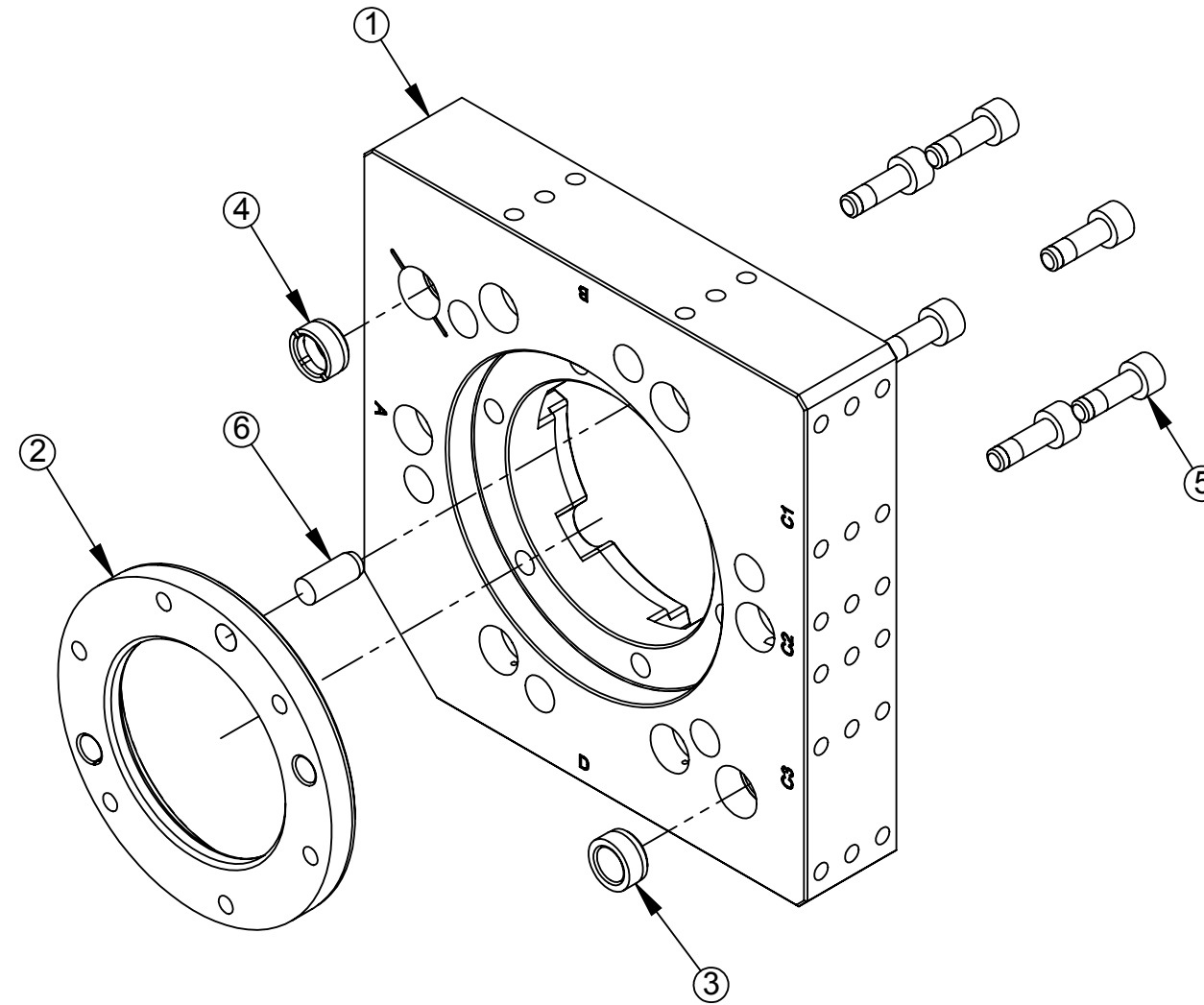
1031 Goodworth Drive, Apex, NC 27539, USA
 Tel: +1.919.772.0115 Email: info@ati-ia.com
 Fax: +1.919.772.8259 www.ati-ia.com
 ISO 9001 Registered Company

PROPERTY OF ATI INDUSTRIAL AUTOMATION, INC. NOT TO BE REPRODUCED IN ANY MANNER EXCEPT ON ORDER OR WITH PRIOR WRITTEN AUTHORIZATION OF ATI.

DRAWN BY: K. ZACHARY 08/29/16		TITLE		
CHECKED BY: B. KENDRICK 09/06/16		QC-46 TOOL CHANGER DRAWING		
PROJECT # 160404-2	SHEET 3 OF 4	SCALE 1:2	SIZE B	DRAWING NUMBER 9630-20-046
				REVISION 05

QC-46 TOOL ASSEMBLY

9120-046JT-0-0-000-0



NOTES: UNLESS OTHERWISE SPECIFIED.

DO NOT SCALE DRAWING. ALL DIMENSIONS ARE IN MILLIMETERS.



3rd ANGLE PROJECTION



PROPERTY OF ATI INDUSTRIAL AUTOMATION, INC. NOT TO BE REPRODUCED IN ANY MANNER EXCEPT ON ORDER OR WITH PRIOR WRITTEN AUTHORIZATION OF ATI.

DRAWN BY: K. ZACHARY 08/29/16

CHECKED BY: B. KENDRICK 09/06/16

TITLE
QC-46 TOOL CHANGER DRAWING

PROJECT # 160404-2 SHEET 4 OF 4

SCALE
1:2

SIZE
B

DRAWING NUMBER
9630-20-046

REVISION
05