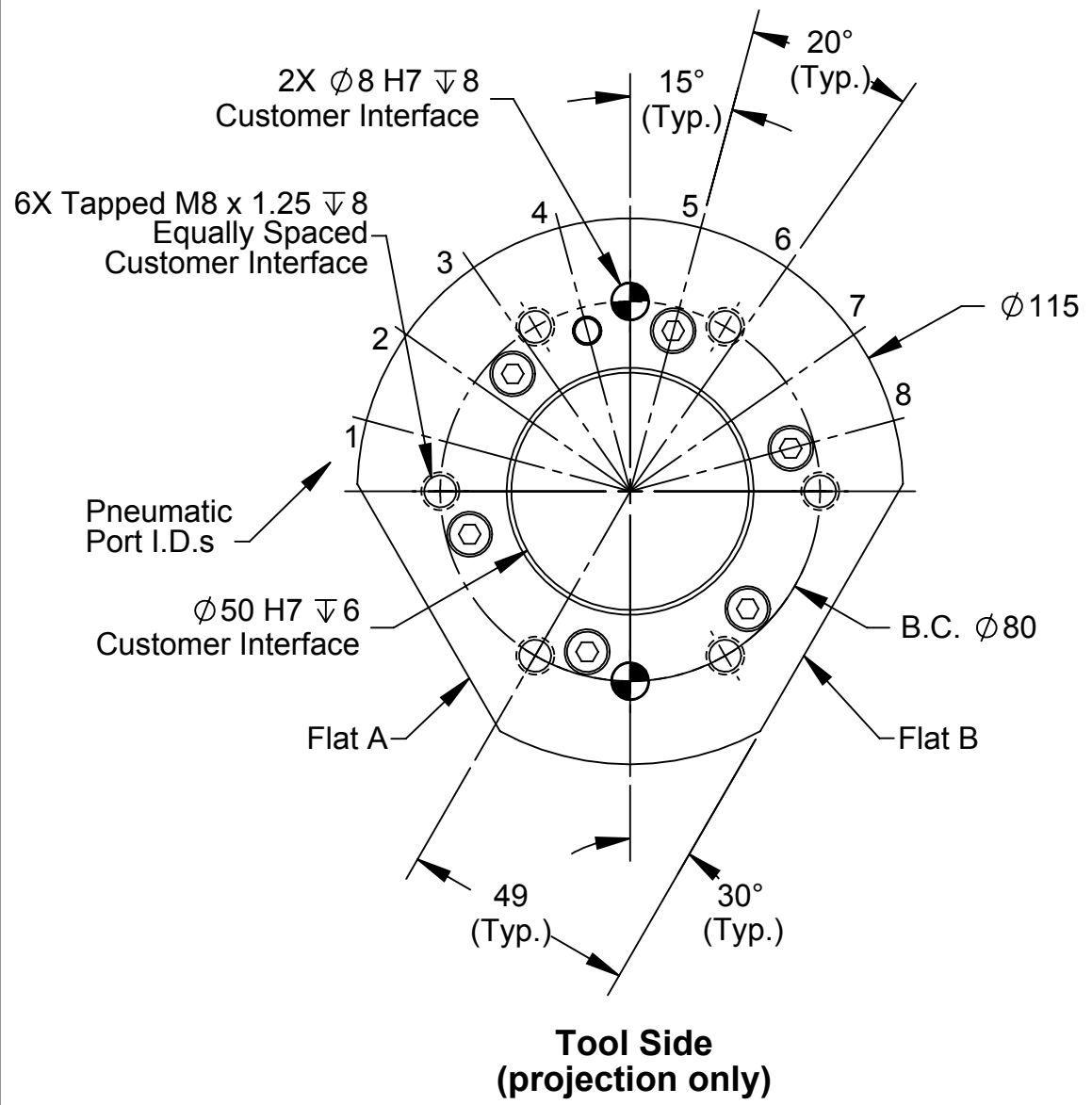
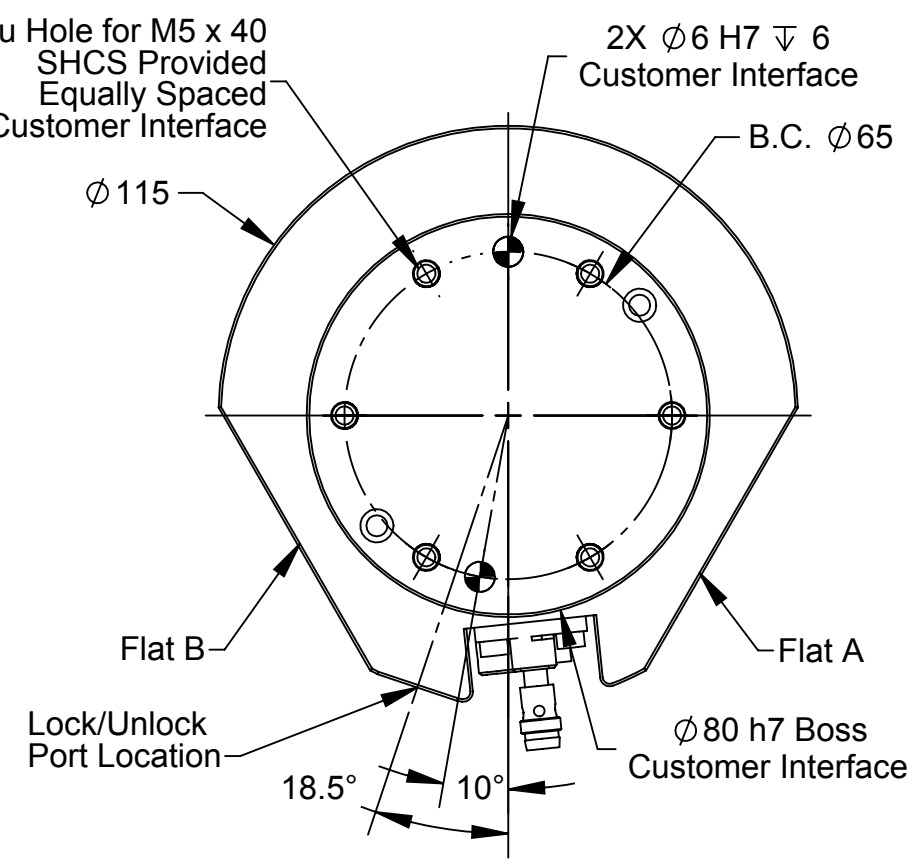
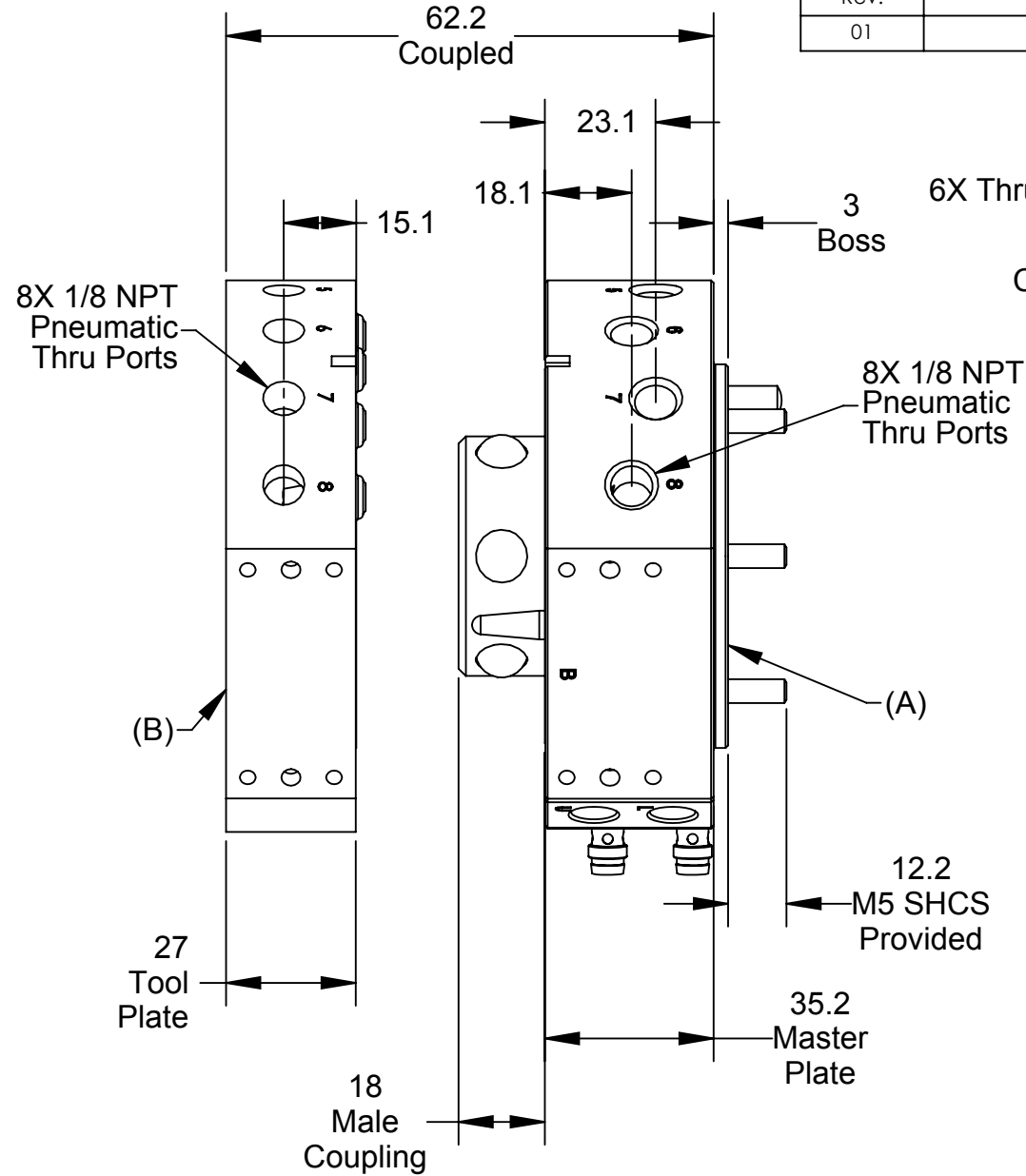


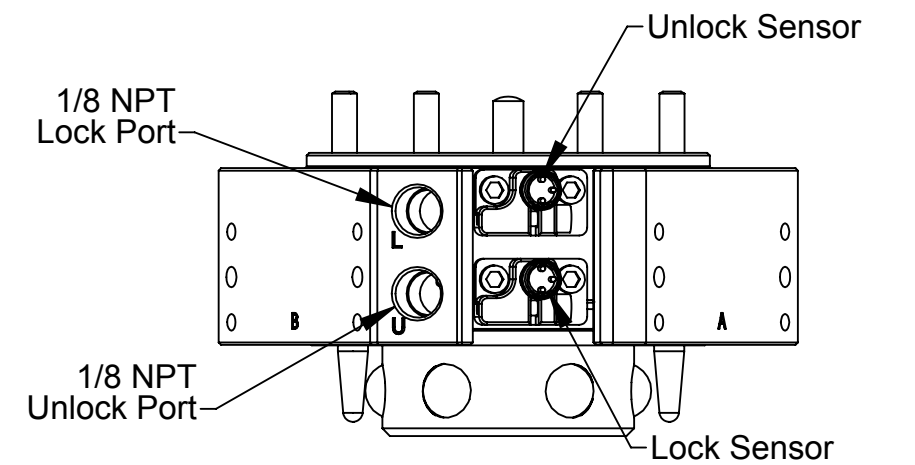
Rev.	Description	Initiator	Date
01	Initial Drawing	DAW	9/9/2013



**Tool Side  
(projection only)**



**Master Side  
(projection only)**

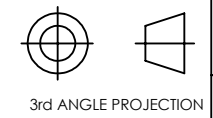


Part Numbers Shown:  
 (A) 9120-040QM-000-000-SG  
 (B) 9120-040T-000-000

- Notes:
1. Master mounting hardware provided.
  2. Orientation marks are provided to assist in robot teaching.
  3. SG in master part number indicates PNP quick disconnect lock/unlock sensors. Other sensor options available.

NOTES: UNLESS OTHERWISE SPECIFIED.

DO NOT SCALE DRAWING. ALL DIMENSIONS ARE IN MILLIMETERS.

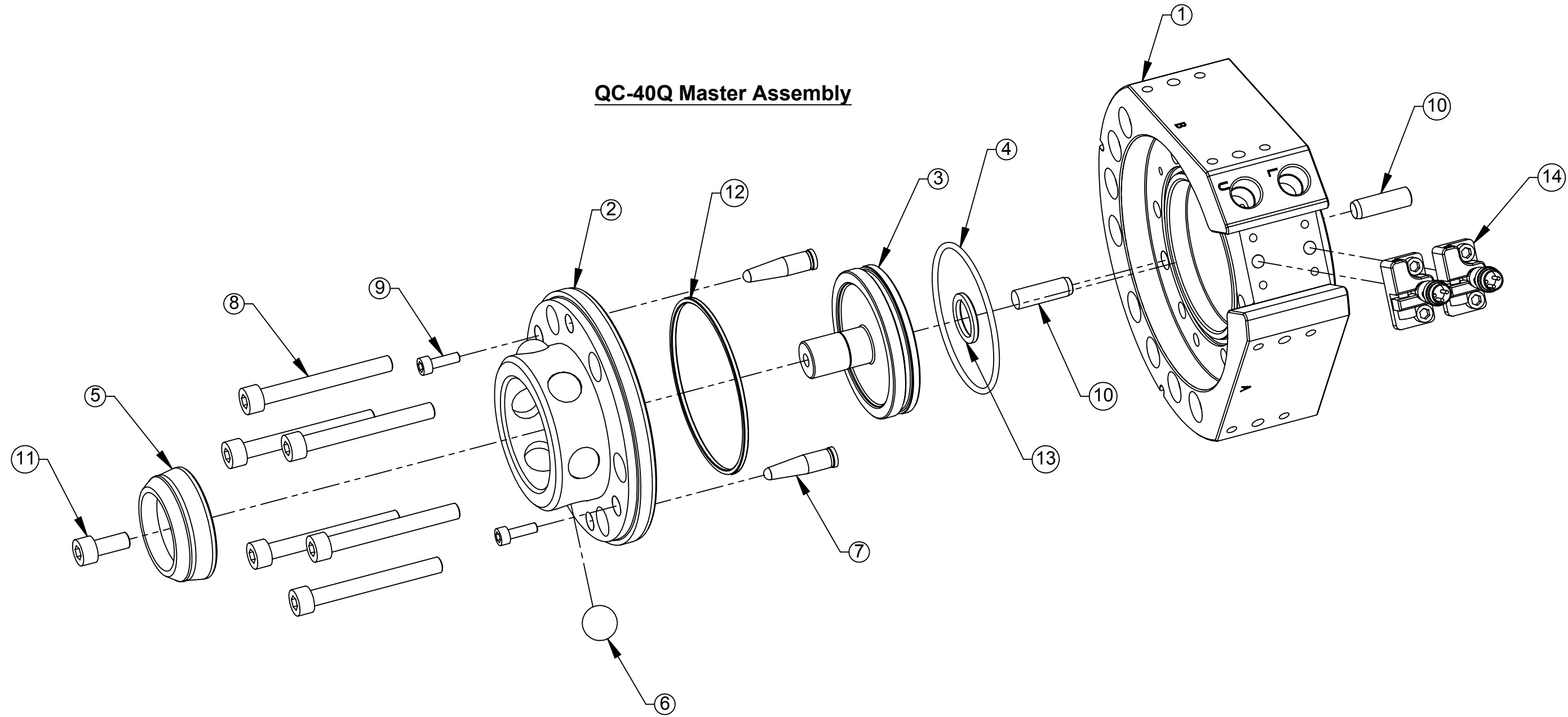


PROPERTY OF ATI INDUSTRIAL AUTOMATION, INC. NOT TO BE REPRODUCED IN ANY MANNER EXCEPT ON ORDER OR WITH PRIOR WRITTEN AUTHORIZATION OF ATI.

DRAWN BY: D. Wagner 9/9/13		TITLE	
CHECKED BY: DSS 9/17/13		QC-40Q-M QC-40T Customer Drawing	
PROJECT #	SHEET 1 OF 3	SCALE	REVISION
		1:1.5	01
		SIZE	DRAWING NUMBER
		B	9630-20-040QM-040T

Rev.	Description	Initiator	Date
-	See Sheet1	-	-

### QC-40Q Master Assembly



NOTES: UNLESS OTHERWISE SPECIFIED.

DO NOT SCALE DRAWING. ALL DIMENSIONS ARE IN MILLIMETERS.



3rd ANGLE PROJECTION



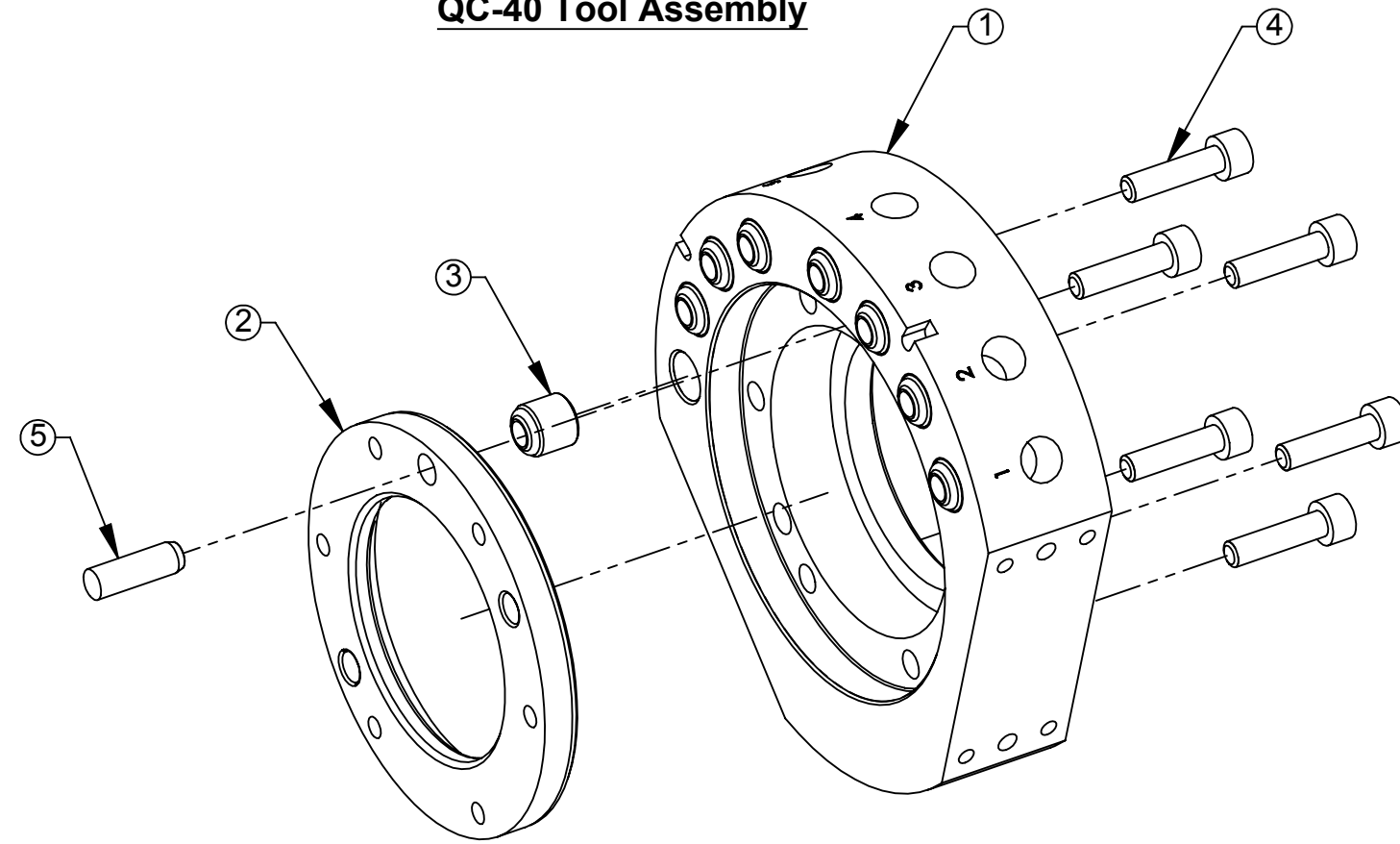
1031 Goodworth Drive, Apex, NC 27539, USA  
 Tel: +1.919.772.0115 Email: info@ati-ia.com  
 Fax: +1.919.772.8259 www.ati-ia.com  
 ISO 9001 Registered Company

PROPERTY OF ATI INDUSTRIAL AUTOMATION, INC. NOT TO BE REPRODUCED IN ANY MANNER EXCEPT ON ORDER OR WITH PRIOR WRITTEN AUTHORIZATION OF ATI.

DRAWN BY: D. Wagner 9/9/13		TITLE	
CHECKED BY: DSS 9/17/13		QC-40Q-M QC-40T Customer Drawing	
PROJECT #	SHEET 2 OF 3	SCALE	SIZE
		3:4	B
		DRAWING NUMBER	REVISION
		9630-20-040QM-040T	01

Rev.	Description	Initiator	Date
-	See Sheet1	-	-

**QC-40 Tool Assembly**



NOTES: UNLESS OTHERWISE SPECIFIED.

DO NOT SCALE DRAWING. ALL DIMENSIONS ARE IN MILLIMETERS.



3rd ANGLE PROJECTION



PROPERTY OF ATI INDUSTRIAL AUTOMATION, INC. NOT TO BE REPRODUCED IN ANY MANNER EXCEPT ON ORDER OR WITH PRIOR WRITTEN AUTHORIZATION OF ATI.

DRAWN BY: D. Wagner 9/9/13		TITLE		
CHECKED BY: DSS 9/17/13		QC-40Q-M QC-40T Customer Drawing		
PROJECT #	SHEET 3 OF 3	SCALE	SIZE	DRAWING NUMBER
		3:4	B	9630-20-040QM-040T
				REVISION
				01