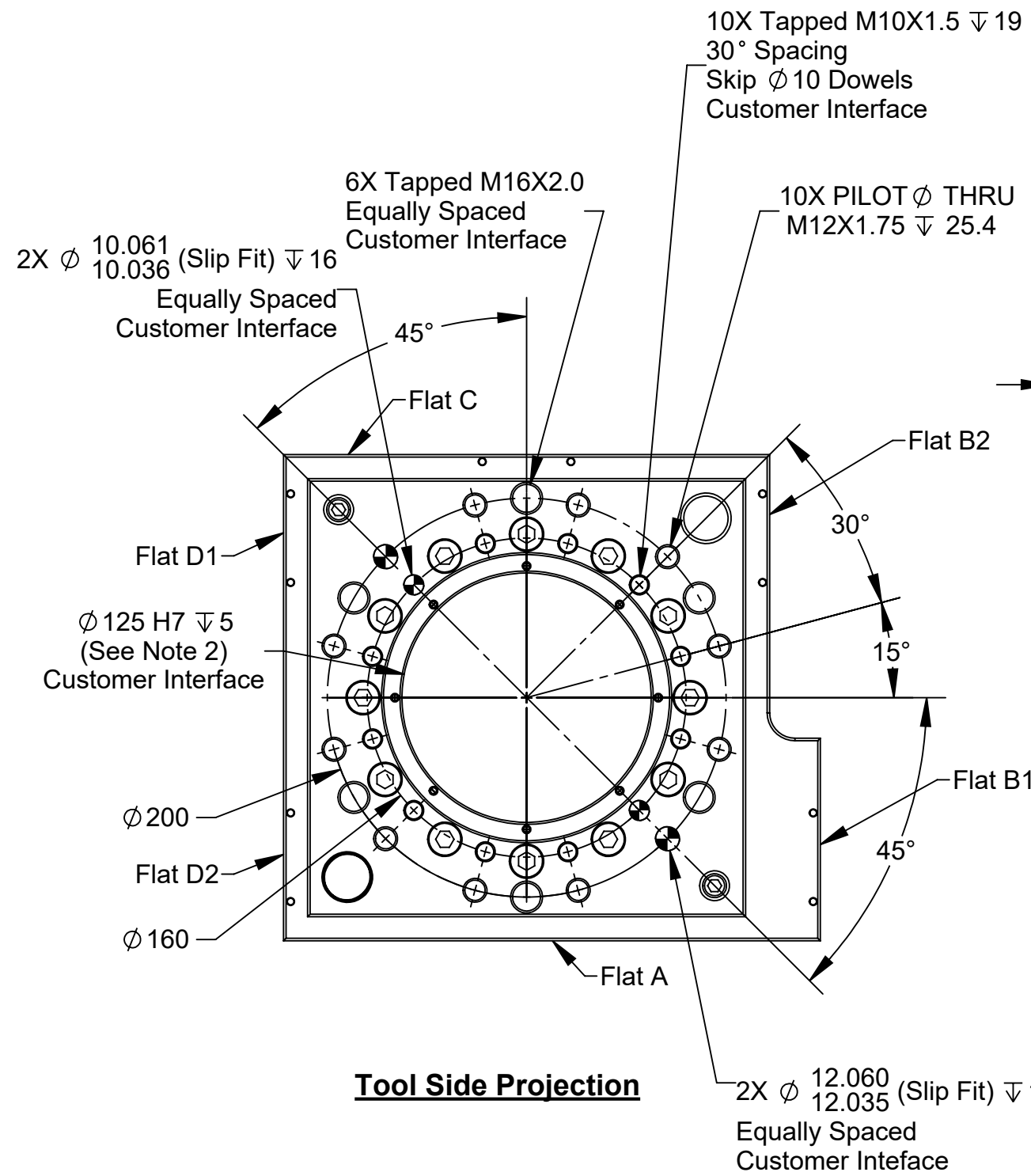
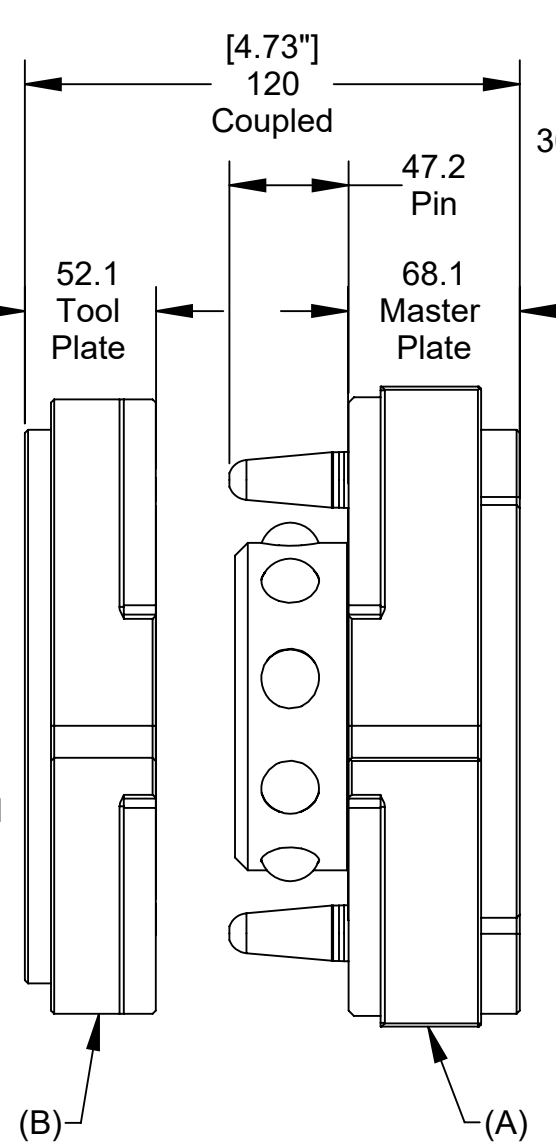


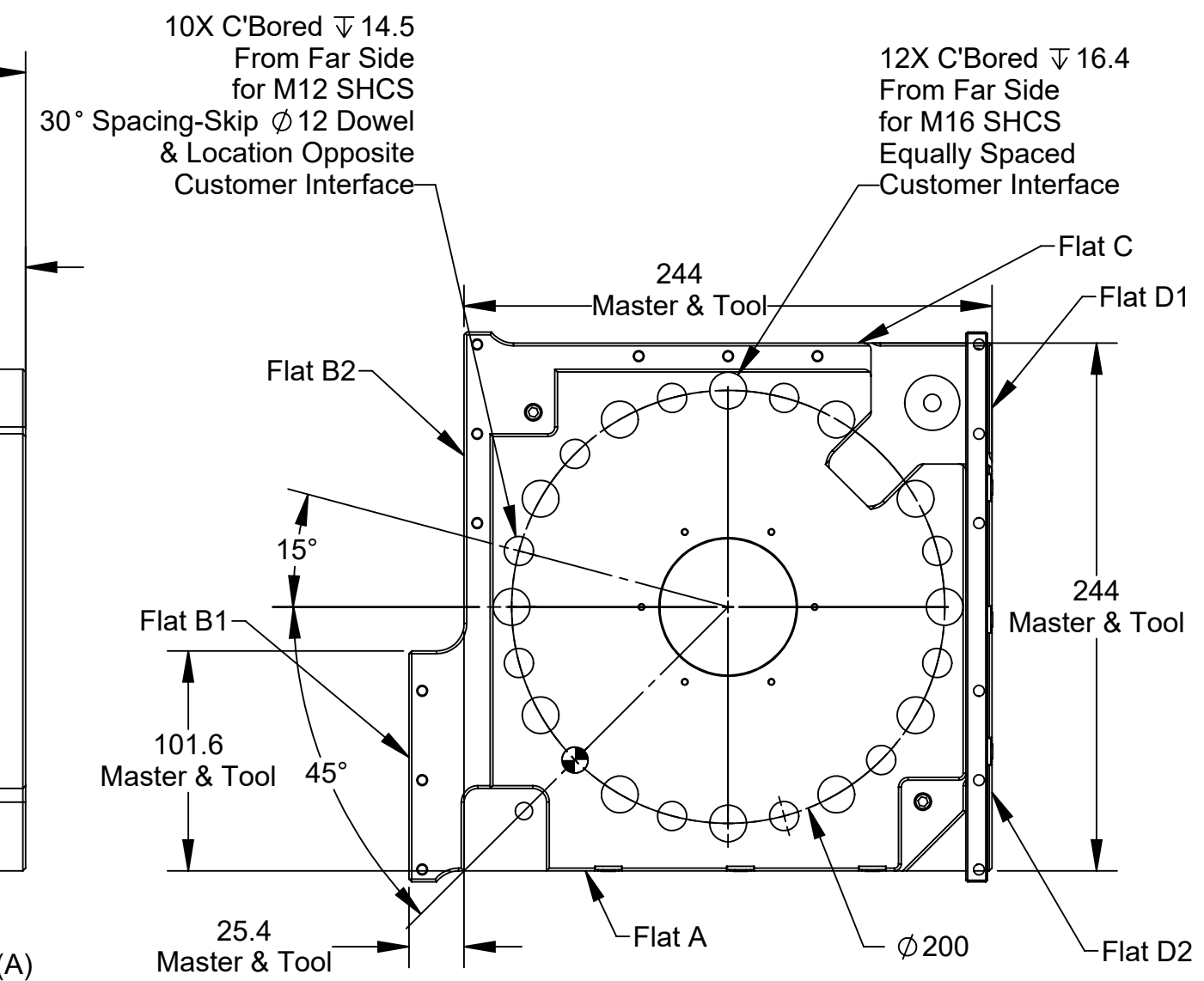
Rev.	Description	Initiator	Date
05	ECO 21105; Updated to reflect removal of the tool cover 9005-20-1334 from assy 9121-313DT-0-00-0-00. Added "Optional" in front of Tool cover for Note 2. Deleted Note 3	DS	2/22/2023



**Tool Side Projection**

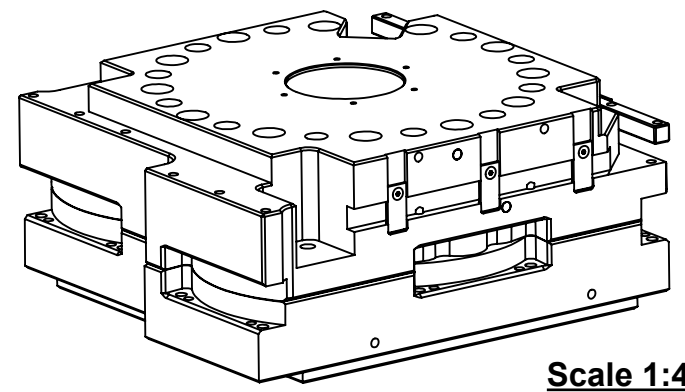


Part Numbers:  
 (A) Master: 9121-313AM-0-00-0-00  
 (B) Tool: 9121-313DT-0-00-0-00



**Master Side Projection**

Notes:  
 1. Optional Bolt Down: (10) Holes C'Bored from opposite side 10.2 deep for M10 SHCS  
 2. Optional Tool cover must be removed to utilize this customer interface feature.



**Scale 1:4**

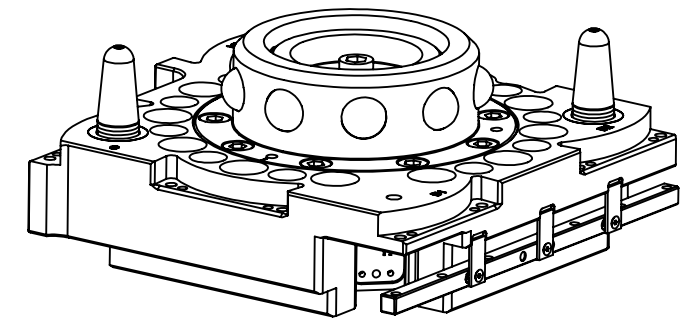
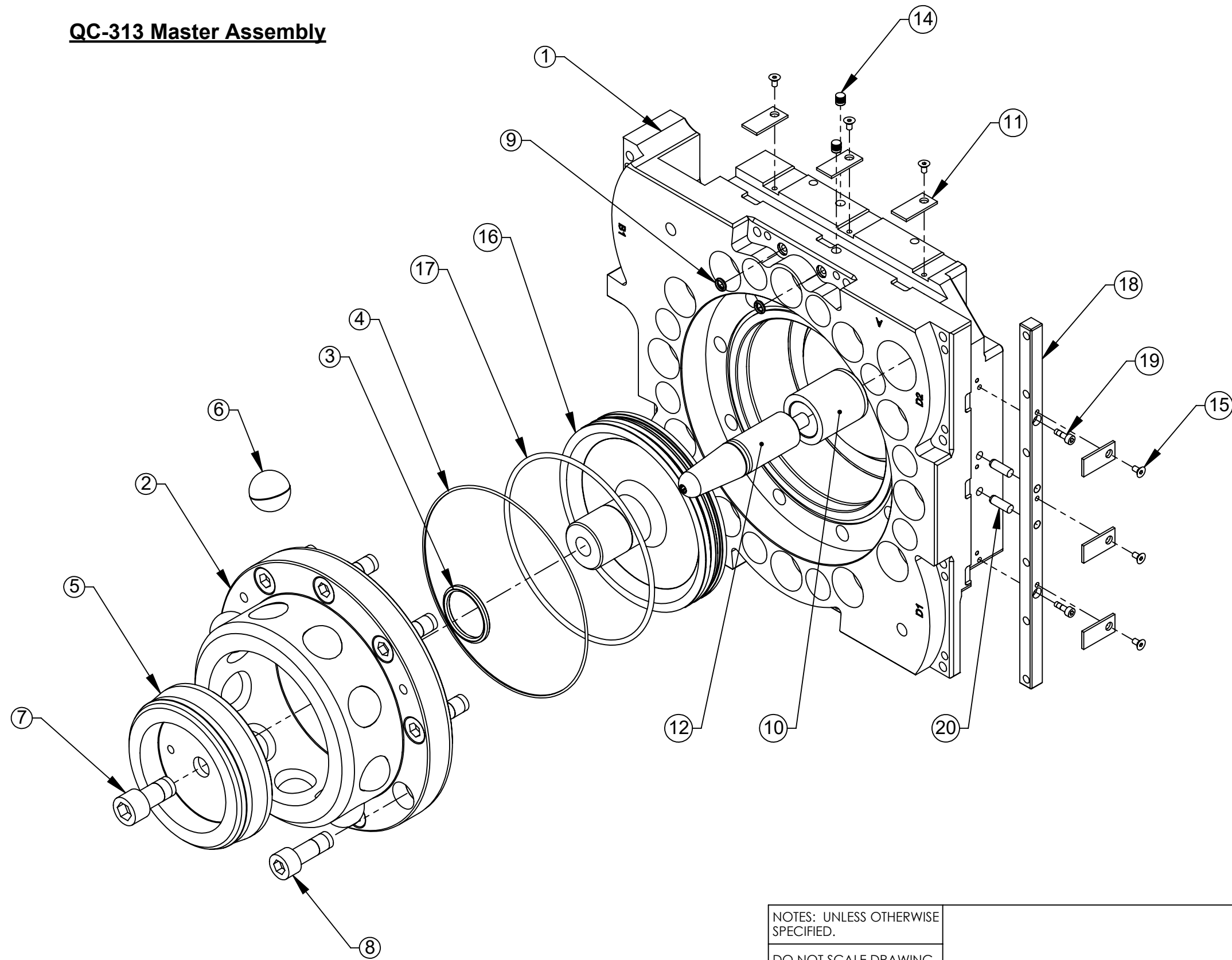
NOTES: UNLESS OTHERWISE SPECIFIED.  
 DO NOT SCALE DRAWING. ALL DIMENSIONS ARE IN MILLIMETERS.

3rd ANGLE PROJECTION



DRAWN BY: M. Perrault 8/1/12		TITLE QC-313 Base Tool Changer		
CHECKED BY: ATM 8/1/12		SCALE 1:3	SIZE B	DRAWING NUMBER 9630-20-313
PROJECT # 120221-1	SHEET 1 OF 3			REVISION 05

**QC-313 Master Assembly**



**Scale 1:4**

NOTES: UNLESS OTHERWISE SPECIFIED.

DO NOT SCALE DRAWING. ALL DIMENSIONS ARE IN MILLIMETERS.



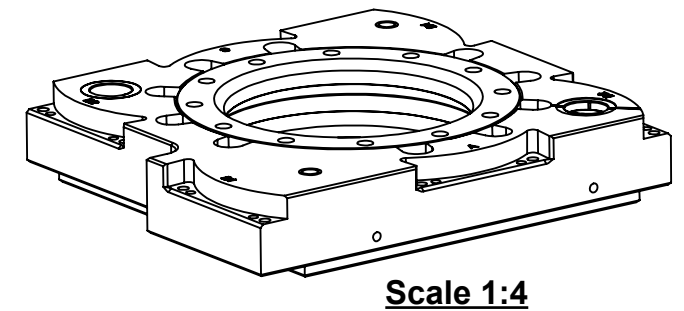
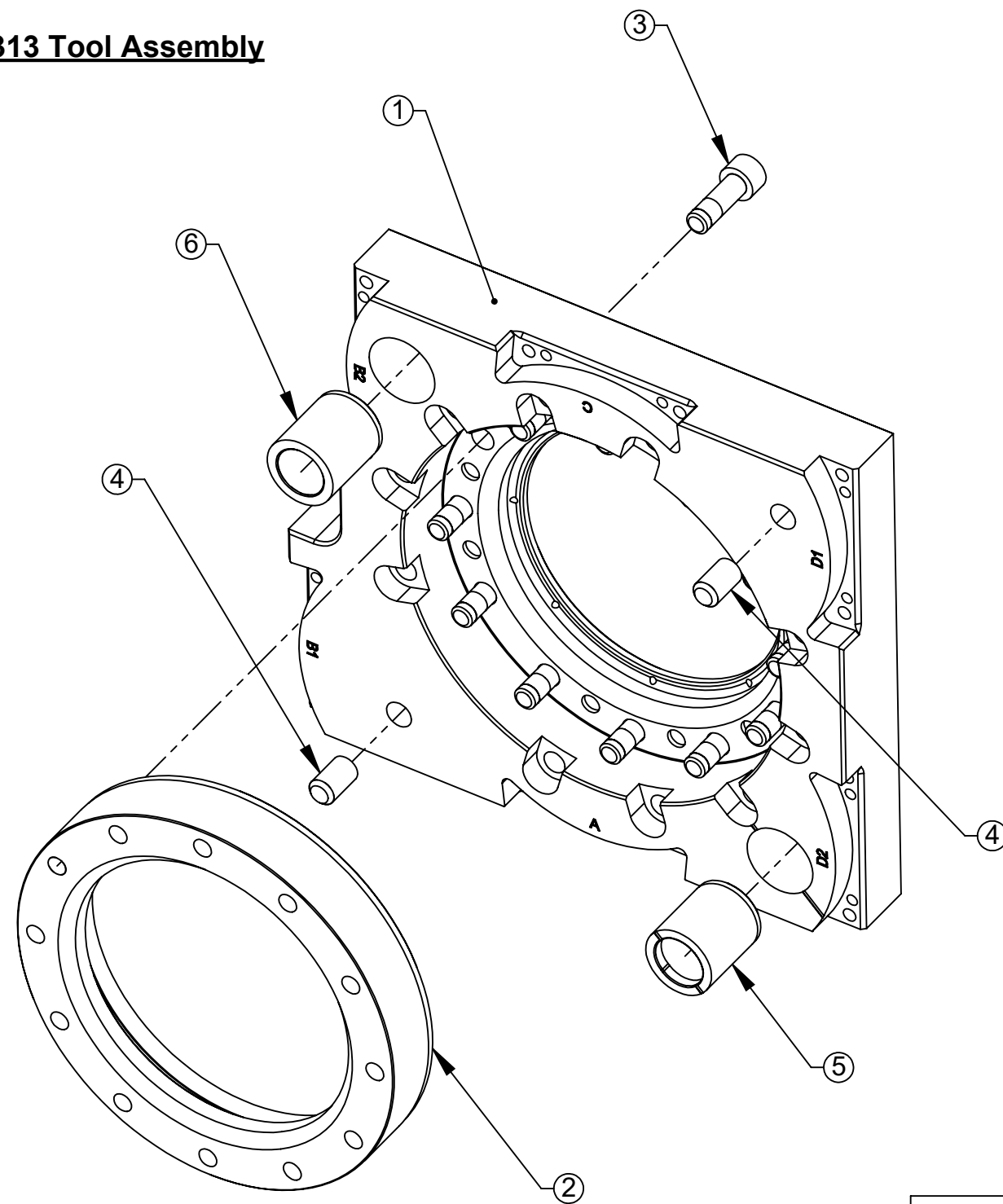
3rd ANGLE PROJECTION

1031 Goodworth Drive, Apex, NC 27539, USA  
 Tel: +1.919.772.0115 www.ati-ia.com  
 Fax: +1.919.772.8259 ISO 9001 Registered Company

PROPERTY OF ATI INDUSTRIAL AUTOMATION, INC. NOT TO BE REPRODUCED IN ANY MANNER EXCEPT ON ORDER OR WITH PRIOR WRITTEN AUTHORIZATION OF ATI.

DRAWN BY: M. Perrault 8/1/12		TITLE		
CHECKED BY: ATM 8/1/12		QC-313 Base Tool Changer		
SCALE	SIZE	DRAWING NUMBER	REVISION	
1:2.5	B	9630-20-313	05	
PROJECT # 120221-1		SHEET 2 OF 3		

**QC-313 Tool Assembly**



NOTES: UNLESS OTHERWISE SPECIFIED.

DO NOT SCALE DRAWING. ALL DIMENSIONS ARE IN MILLIMETERS.



3rd ANGLE PROJECTION

DRAWN BY: M. Perrault 8/1/12		TITLE QC-313 Base Tool Changer		
CHECKED BY: ATM 8/1/12		SCALE	SIZE	DRAWING NUMBER
PROJECT # 120221-1	SHEET 3 OF 3	1:2.5	B	9630-20-313
				REVISION 05