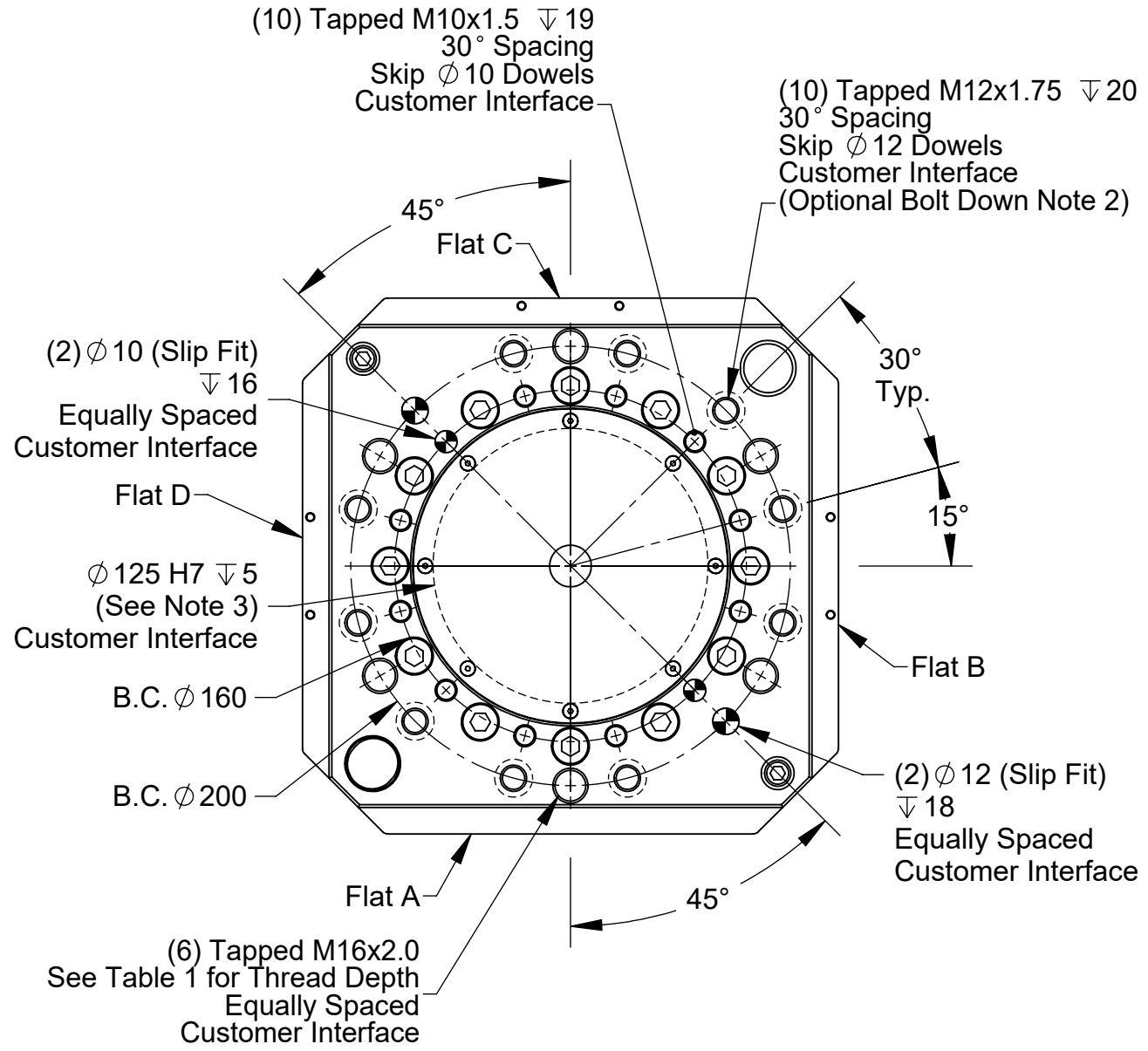
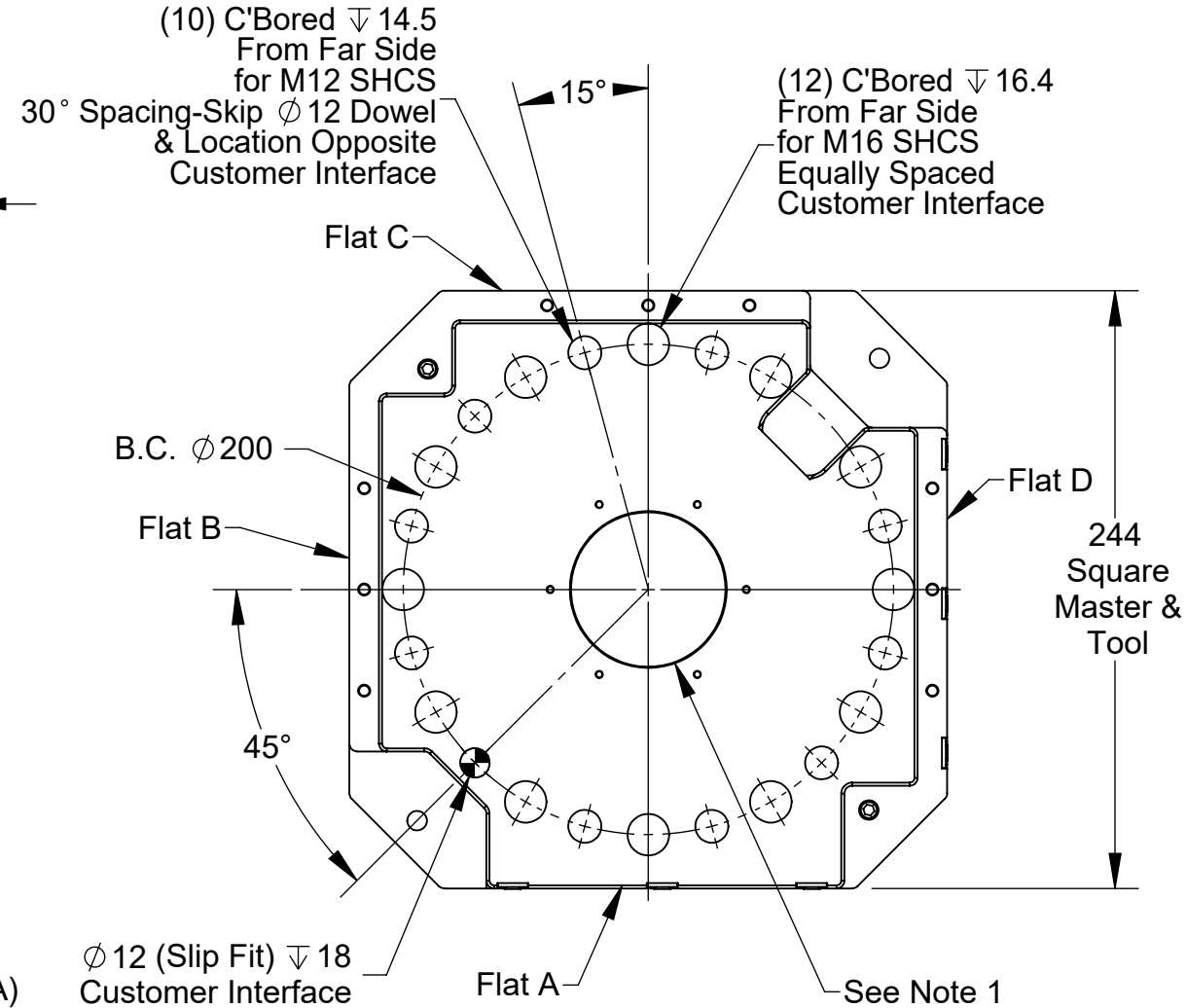
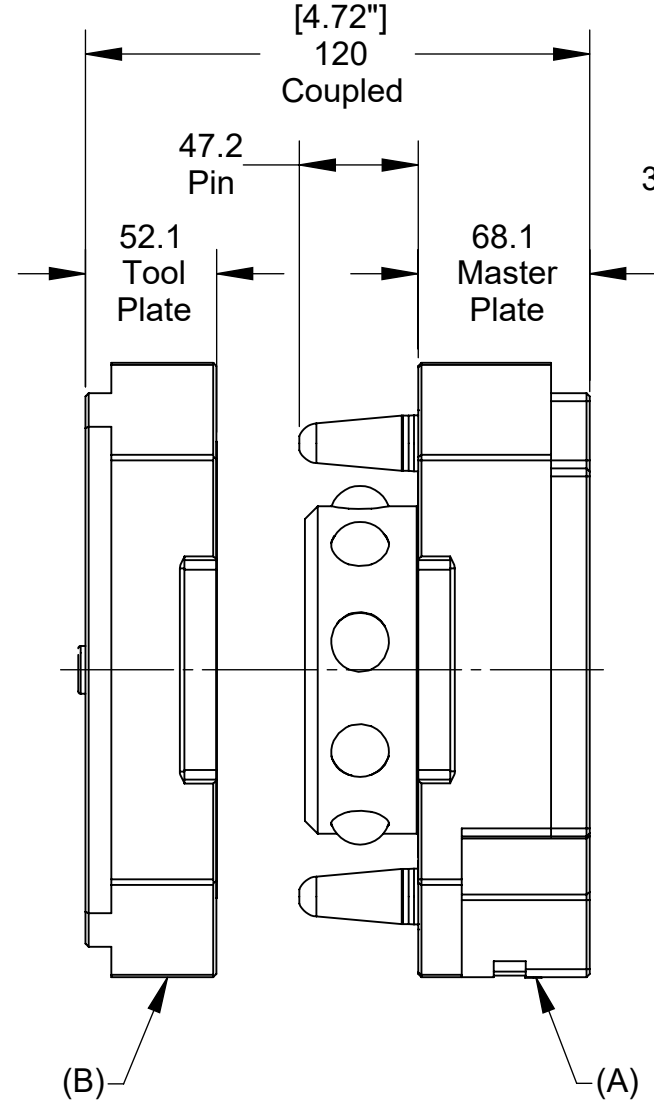


Rev.	Description	Initiator	Date
06	ECO 21234; Updated to reflect adding the 9005-20-1334 tool / race cover	DS	2/6/2023



**Tool Side
(projection only)**



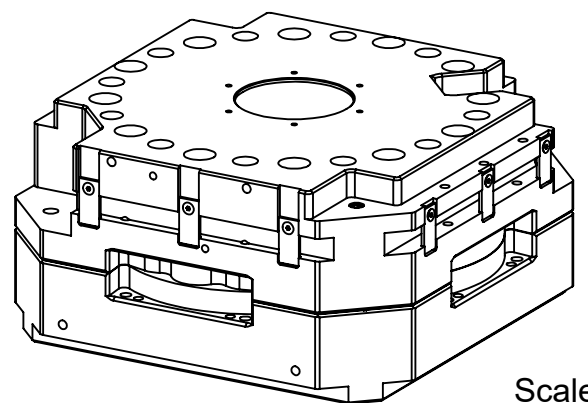
**Master Side
(projection only)**

Part Numbers:
 (A) Master: 9121-310AMX-0-0-0-0
 (B) Tool: 9121-310DT-0-0-0-0

- Notes:
 1) Center Boss inserts available
 2) Optional Bolt Down: (10) Holes C'Bored from opposite side 10.2 deep for M10 SHCS.
 3) Optional tool cover must be removed to utilize this customer interface feature.

Table 1

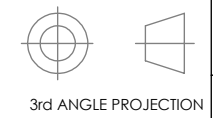
Production Period	Serial Number Range	M16-2.0 Thread Depth
Feb 05 - Jan 07	QT0001 - QT0999	21mm (.83in)
Jan 07 - present	All Other	32mm (1.26in)



Scale 1:4

NOTES: UNLESS OTHERWISE SPECIFIED.

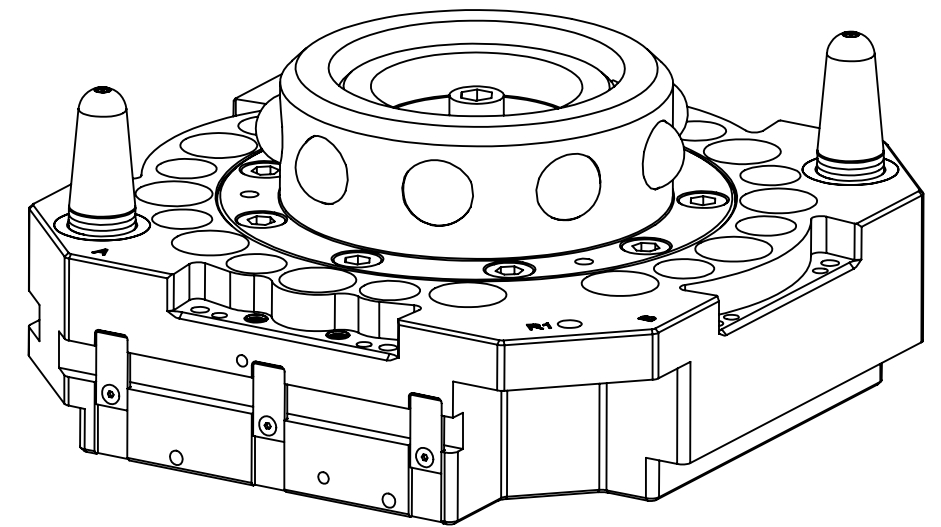
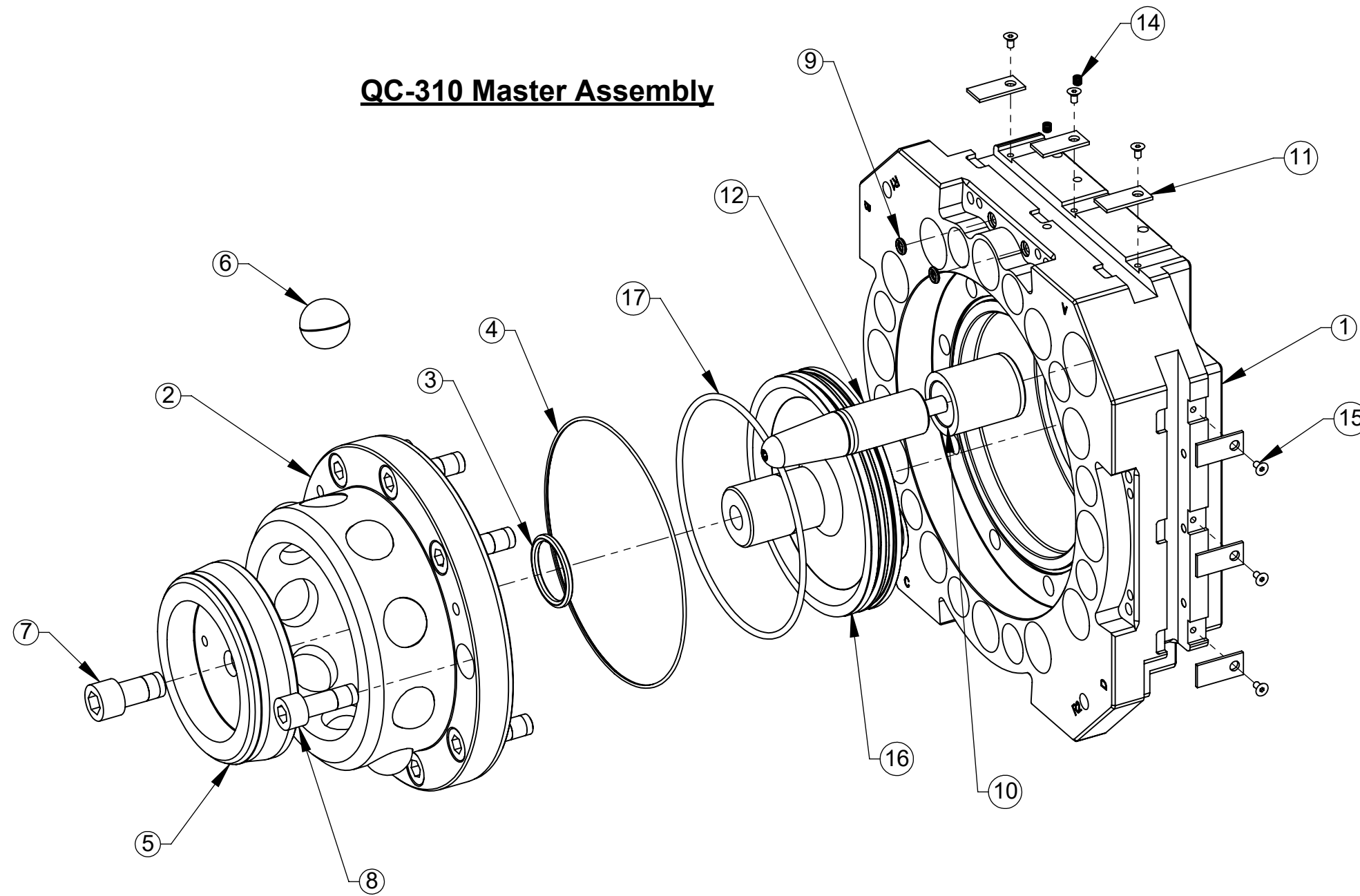
DO NOT SCALE DRAWING. ALL DIMENSIONS ARE IN MILLIMETERS.



PROPERTY OF ATI INDUSTRIAL AUTOMATION, INC. NOT TO BE REPRODUCED IN ANY MANNER EXCEPT ON ORDER OR WITH PRIOR WRITTEN AUTHORIZATION OF ATI.

DRAWN BY: D. Swanson 5/21/09		TITLE	
CHECKED BY: D. Norton 5/22/09		QC-310 Base Tool Changer	
PROJECT #	SHEET 1 OF 3	SCALE	SIZE
		1:3	B
DRAWING NUMBER		REVISION	
9630-20-310		06	

QC-310 Master Assembly



NOTES: UNLESS OTHERWISE SPECIFIED.

DO NOT SCALE DRAWING. ALL DIMENSIONS ARE IN MILLIMETERS.



3rd ANGLE PROJECTION

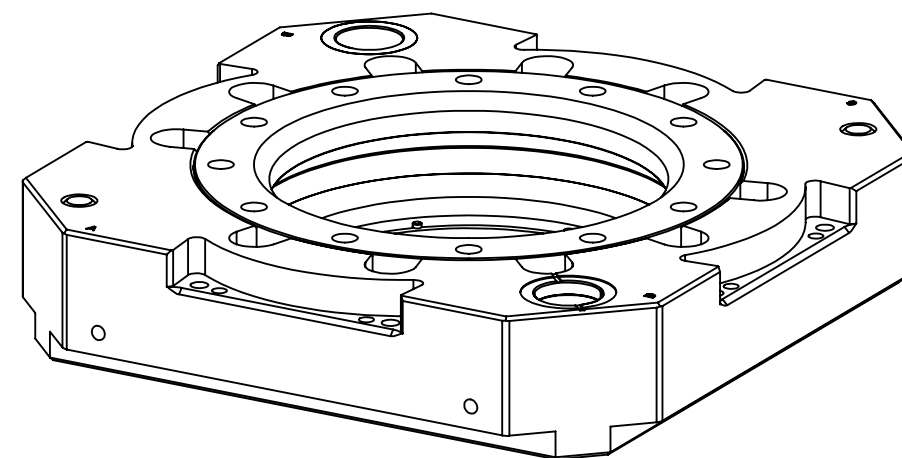
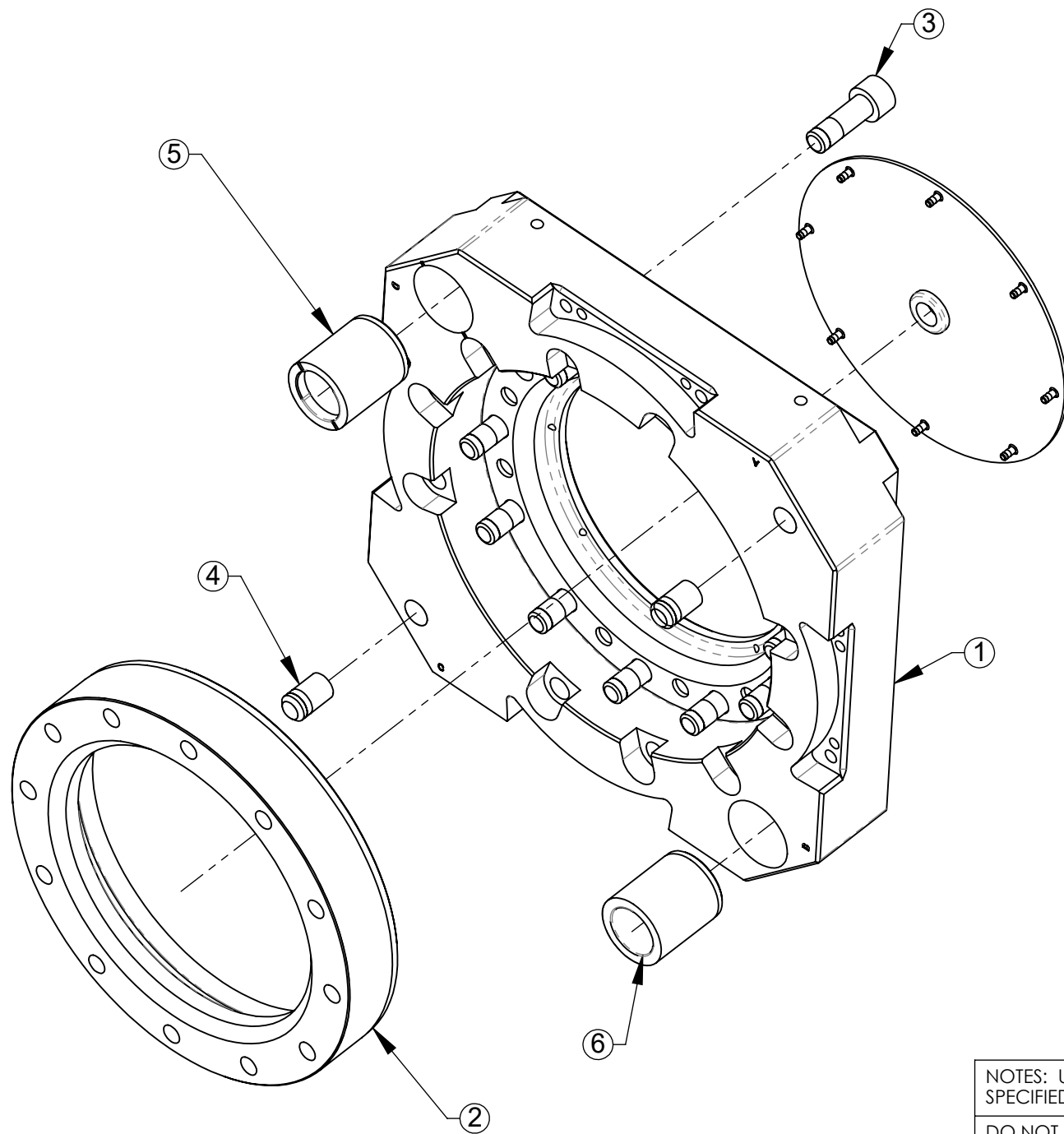


1031 Goodworth Drive, Apex, NC 27539, USA
 Tel: +1.919.772.0115 Email: info@ati-ia.com
 Fax: +1.919.772.8259 www.ati-ia.com
 ISO 9001 Registered Company

PROPERTY OF ATI INDUSTRIAL AUTOMATION, INC. NOT TO BE REPRODUCED IN ANY MANNER EXCEPT ON ORDER OR WITH PRIOR WRITTEN AUTHORIZATION OF ATI.

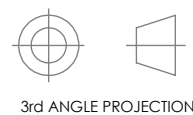
DRAWN BY: D. Swanson 5/21/09		TITLE		
CHECKED BY: D. Norton 5/22/09		QC-310 Base Tool Changer		
PROJECT #	SHEET 2 OF 3	SCALE	SIZE	DRAWING NUMBER
		1:2.5	B	9630-20-310
				REVISION
				06

QC-310 Tool Assembly



NOTES: UNLESS OTHERWISE SPECIFIED.

DO NOT SCALE DRAWING. ALL DIMENSIONS ARE IN MILLIMETERS.



PROPERTY OF ATI INDUSTRIAL AUTOMATION, INC. NOT TO BE REPRODUCED IN ANY MANNER EXCEPT ON ORDER OR WITH PRIOR WRITTEN AUTHORIZATION OF ATI.

DRAWN BY: D. Swanson 5/21/09		TITLE		
CHECKED BY: D. Norton 5/22/09		QC-310 Base Tool Changer		
PROJECT #	SHEET 3 OF 3	SCALE	SIZE	DRAWING NUMBER
		1:2.5	B	9630-20-310
				REVISION
				06