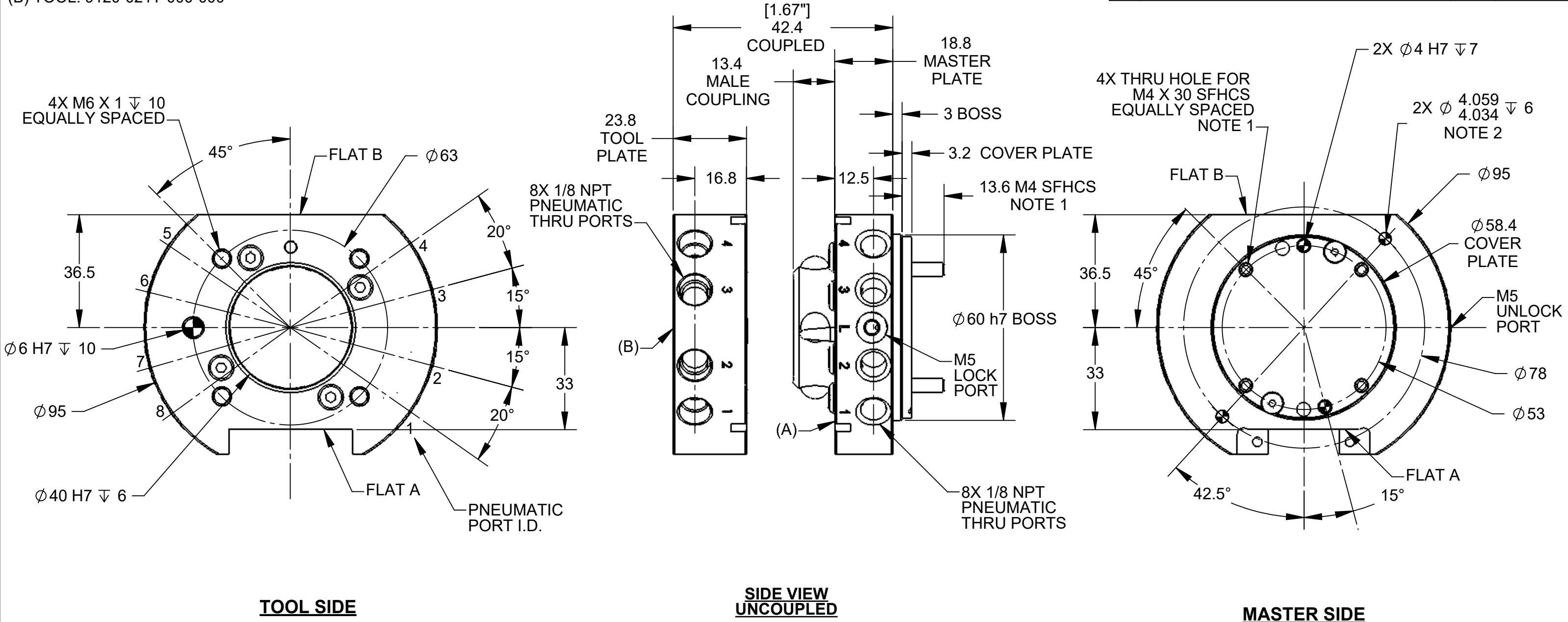


PART NUMBERS:
 (A) MASTER: 9120-021M-000-000
 (B) TOOL: 9120-021T-000-000

Rev.	Description	Initiator	Date
04	ECO 21088; Sheet 2 increased torque value from 10 in-lb to 20 in-lb. Sheet 2, 2.26Nm was 1.13Nm	DS	11/11/2022



WARNING:
 DO NOT APPLY LOCK/UNLOCK AIR PRESSURE WITHOUT MASTER COVER PLATE PROPERLY ATTACHED. IF COVER PLATE IS NOT USED, MASTER SHOULD BE PROPERLY ATTACHED TO INTERFACE. FAILURE TO DO SO COULD RESULT IN DAMAGE TO COVER PLATE AND O-RING.

- NOTES:**
1. MASTER MOUNTING HARDWARE PROVIDED.
 2. OPTIONAL CUSTOMER INTERFACE.
 3. COVER PLATE IS NOT NECESSARY IF ROBOT INTERFACE PLATE PROVIDES SEALING. THE RECOMMENDED INTERFACE PLATE BORE DEPTH WITHOUT A COVER PLATE IS 2.5mm, WITH A COVER PLATE IS 5.6mm.
 4. ORIENTATION MARKS ARE PROVIDED TO ASSIST IN ROBOT TEACHING.
 5. LOCK/UNLOCK SENSING OPTIONS ARE AVAILABLE
 6. INTERFACE PLATES ARE AVAILABLE TO ADAPT THE TOOL CHANGER TO SPECIFIC MOUNTING PATTERNS
 7. CONTACT ATI FOR FULL PART NUMBERS AND LIST OF OPTIONS

NOTES: UNLESS OTHERWISE SPECIFIED.

DO NOT SCALE DRAWING. ALL DIMENSIONS ARE IN MILLIMETERS.

ATI INDUSTRIAL AUTOMATION

DRAWN BY: D. WAGNER 6/12/20
 CHECKED BY: T. CARROLL 7/15/20

TITLE: QC-21 TOOL CHANGER DRAWING

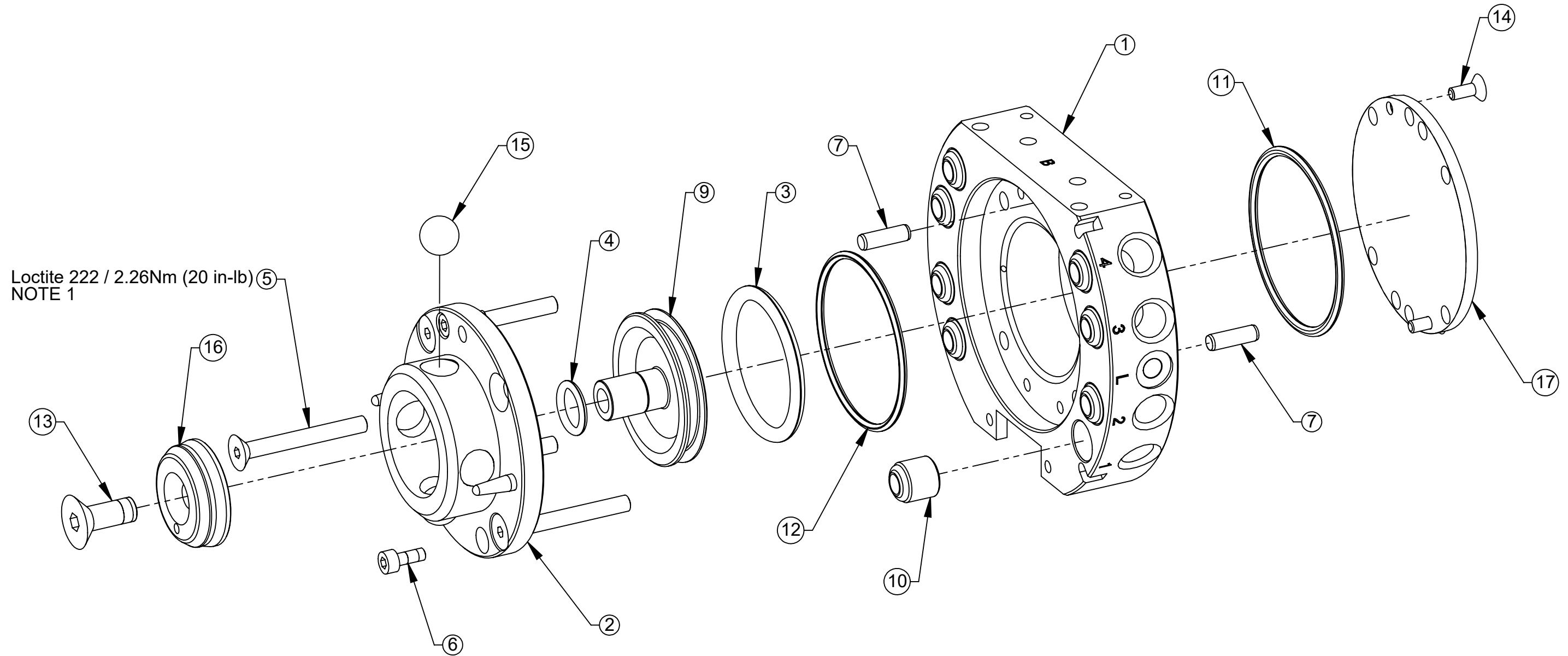
SCALE: 1:1.2
 SIZE: B
 DRAWING NUMBER: 9630-20-021
 REVISION: 04

PROJECT # SHEET 1 OF 3

3rd ANGLE PROJECTION

QC-21 Master Assembly

9120-021M-000-000

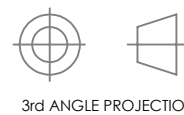


Loctite 222 / 2.26Nm (20 in-lb) ⑤
NOTE 1

NOTES:
1. ASSEMBLE WITH FASTENERS AS LABELED

NOTES: UNLESS OTHERWISE SPECIFIED.

DO NOT SCALE DRAWING.
ALL DIMENSIONS ARE IN MILLIMETERS.



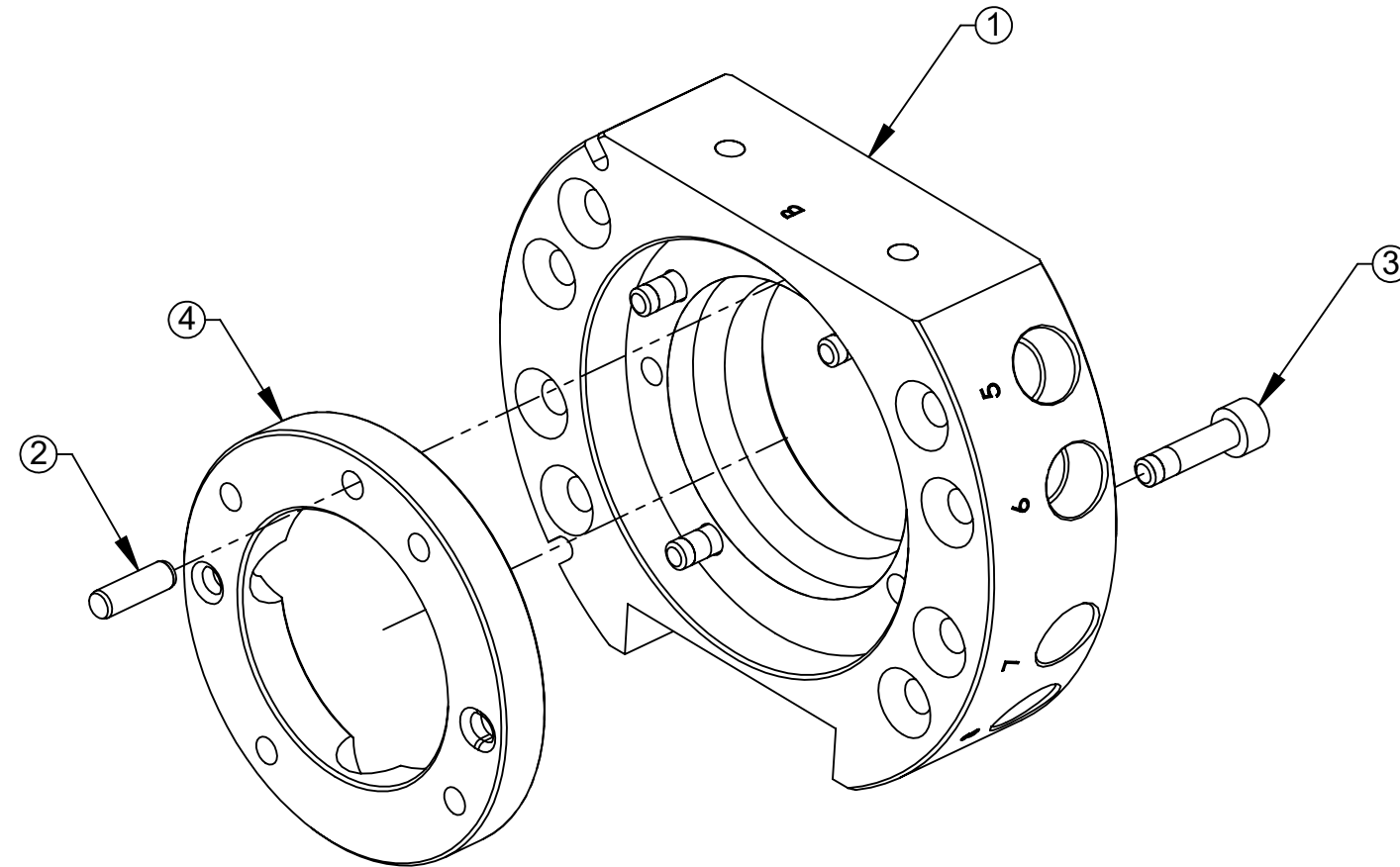
1031 Goodworth Drive, Apex, NC 27539, USA
Tel: +1.919.772.0115 www.ati-ia.com
Fax: +1.919.772.8259 ISO 9001 Registered Company

PROPERTY OF ATI INDUSTRIAL AUTOMATION, INC. NOT TO BE REPRODUCED IN ANY MANNER EXCEPT ON ORDER OR WITH PRIOR WRITTEN AUTHORIZATION OF ATI.

DRAWN BY: D. WAGNER 6/12/20		TITLE	
CHECKED BY: T. CARROLL 7/15/20		QC-21 TOOL CHANGER DRAWING	
PROJECT #	SHEET 2 OF 3	SCALE	REVISION
		1:1	04
		SIZE	DRAWING NUMBER
		B	9630-20-021

QC-21 Tool Assembly

9120-021T-000-000



NOTES: UNLESS OTHERWISE SPECIFIED.

DO NOT SCALE DRAWING.
ALL DIMENSIONS ARE IN MILLIMETERS.



3rd ANGLE PROJECTION

DRAWN BY: D. WAGNER 6/12/20		TITLE		
CHECKED BY: T. CARROLL 7/15/20		QC-21 TOOL CHANGER DRAWING		
PROJECT #	SHEET 3 OF 3	SCALE	SIZE	DRAWING NUMBER
		1:1	B	9630-20-021
				REVISION
				04