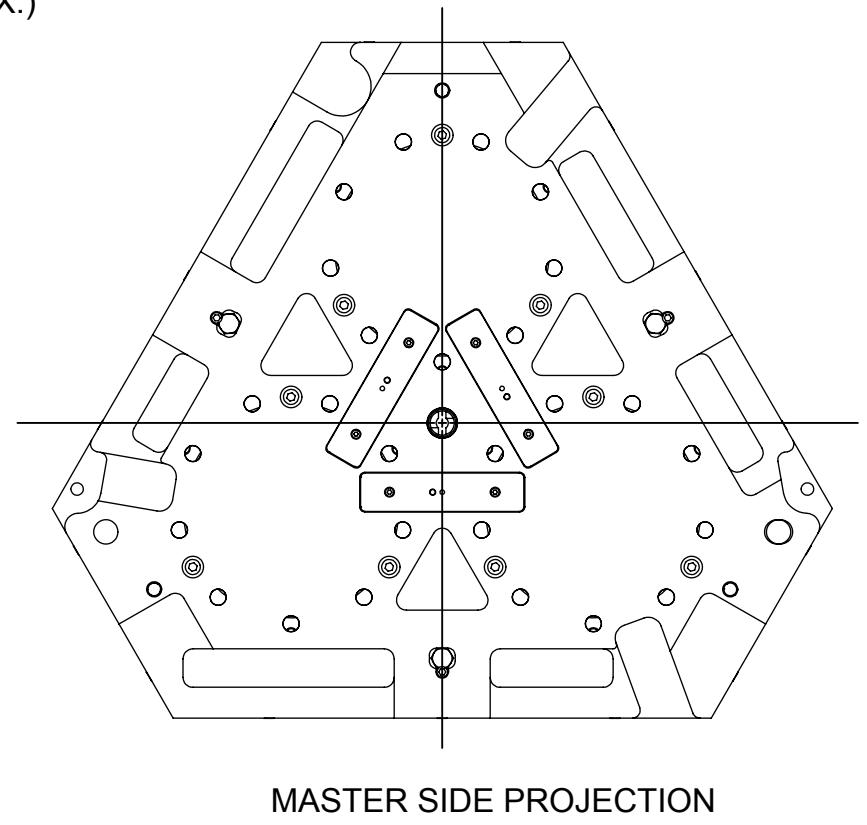
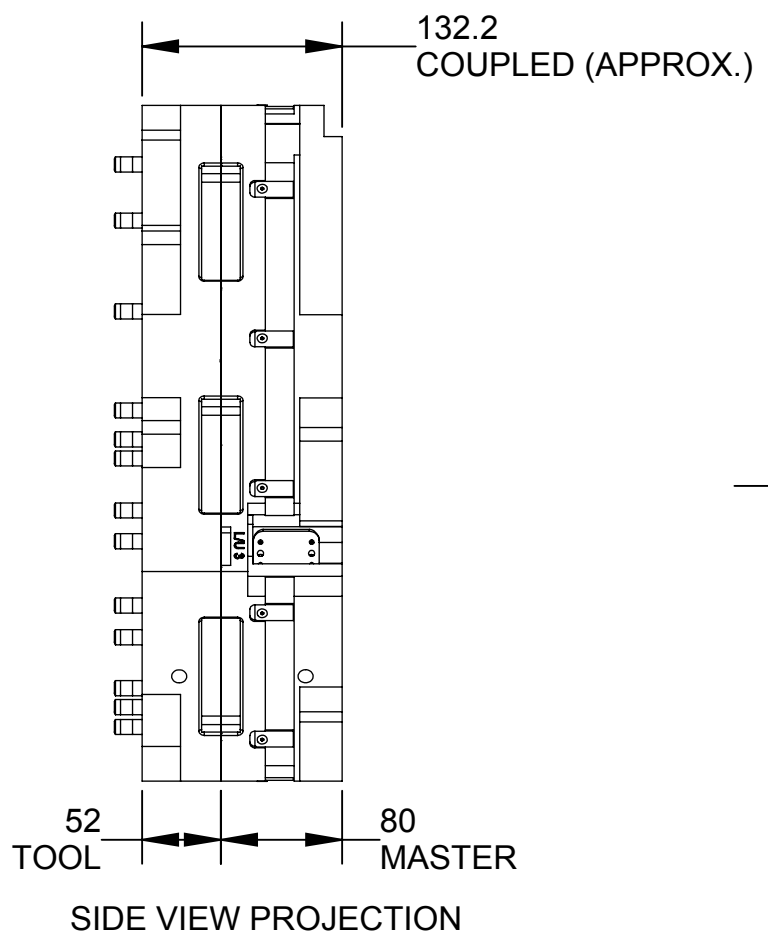
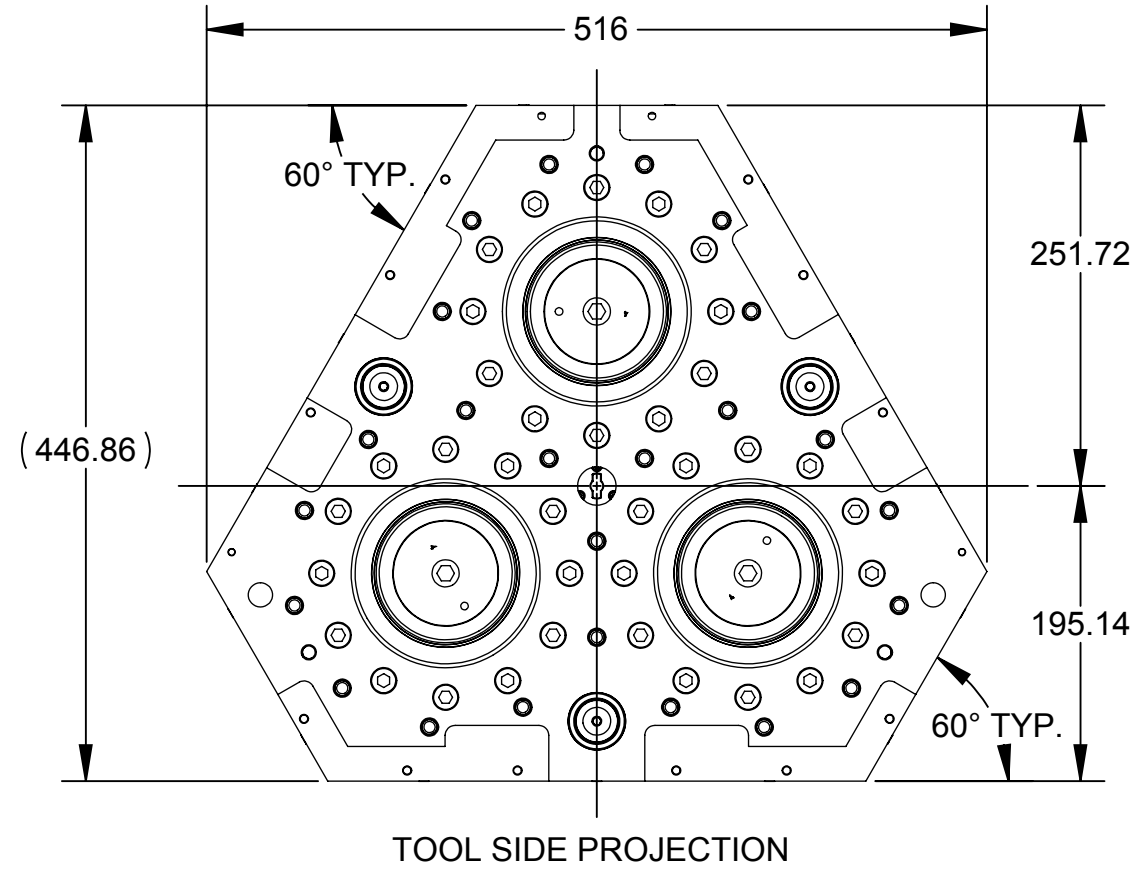
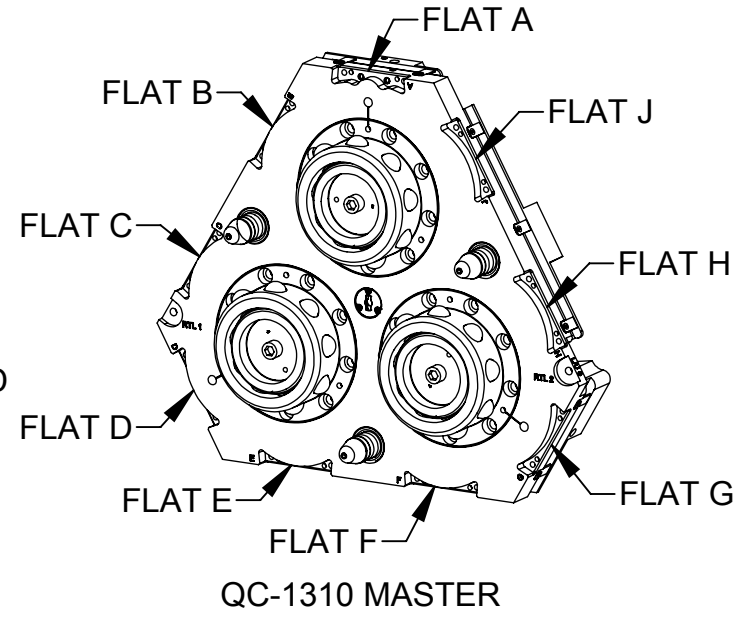
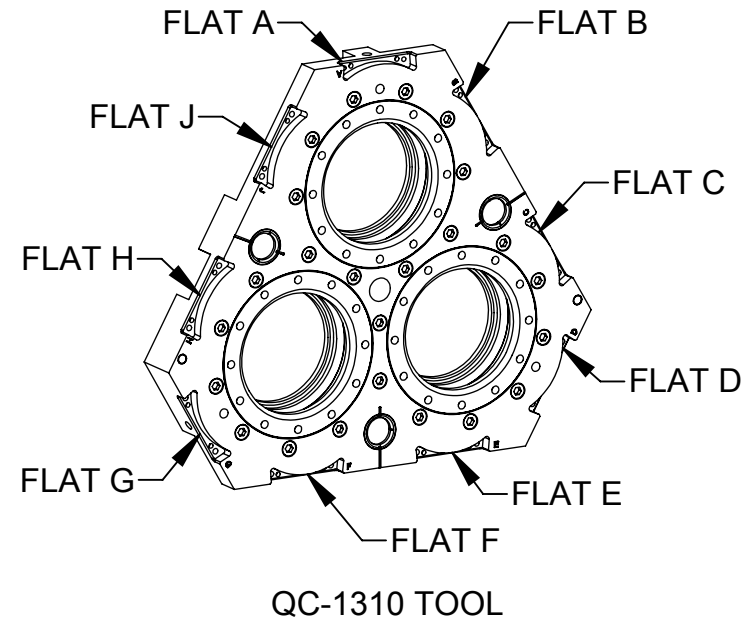
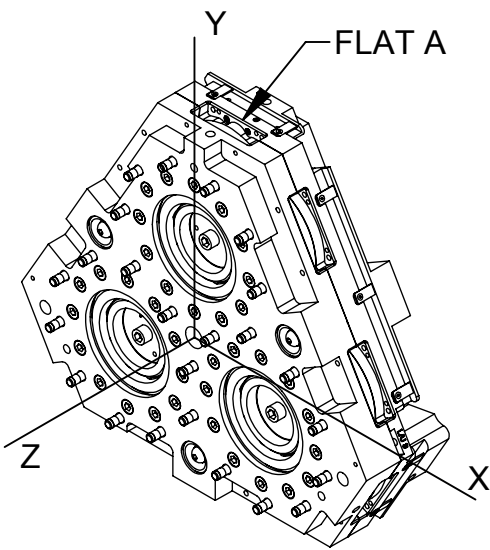
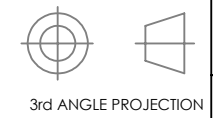


REV.	DESCRIPTION	INITIATOR	DATE
04	ECO 18977: Sheet 2: Added dimension & callouts for M16 dowel & slot. Added DETAIL E with dimensions & callouts for slot. Sheet 4: Removed BOM table. Removed callouts. Sheet 5: Removed DETAIL C. Removed notes & callouts pertaining to bushings. Removed screw callouts. Removed BOM table. Removed Sheet 6.	TBC	4/23/2020



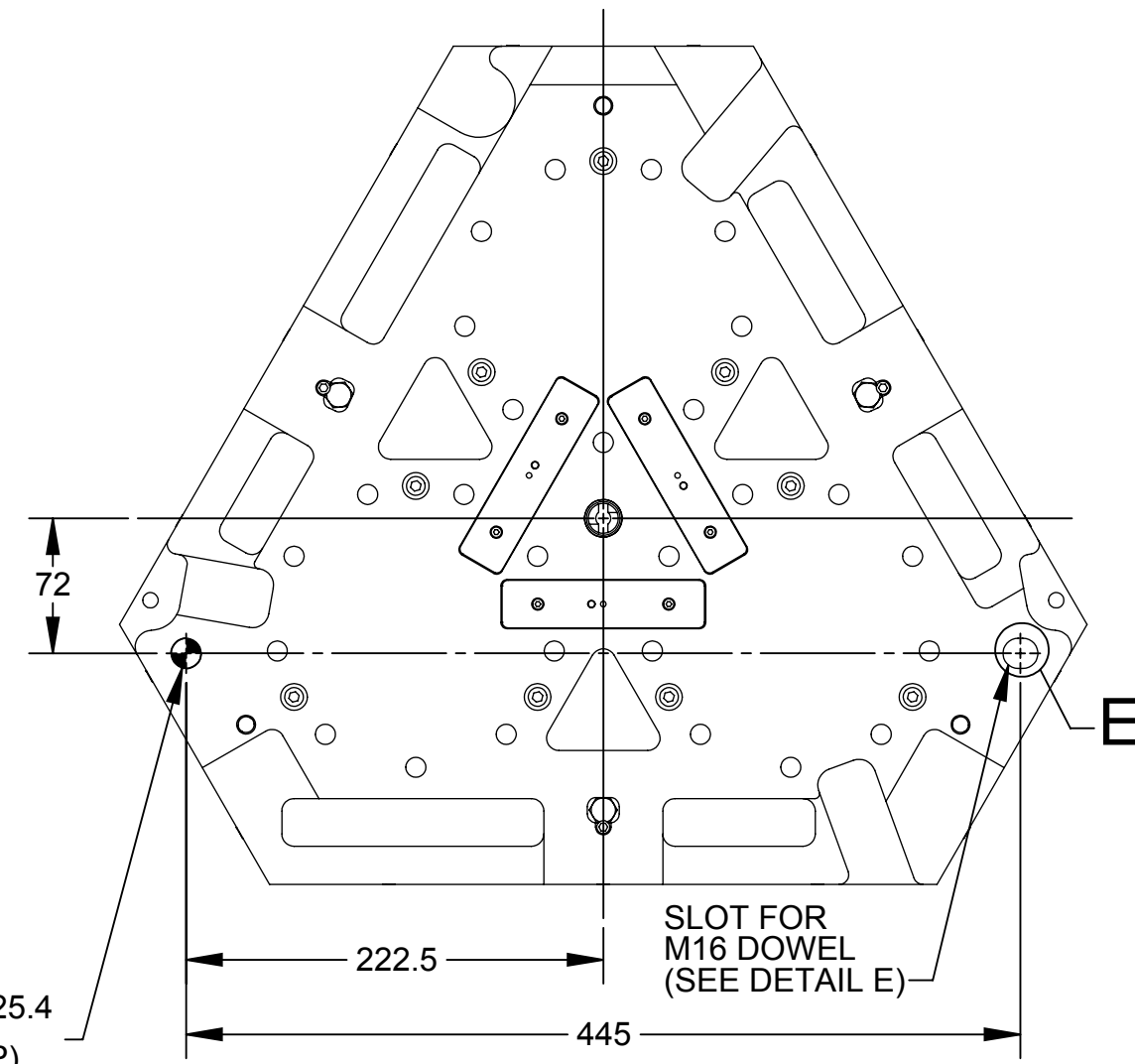
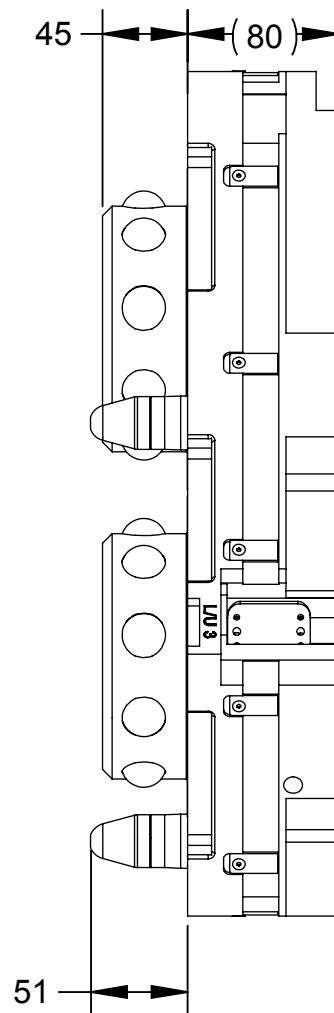
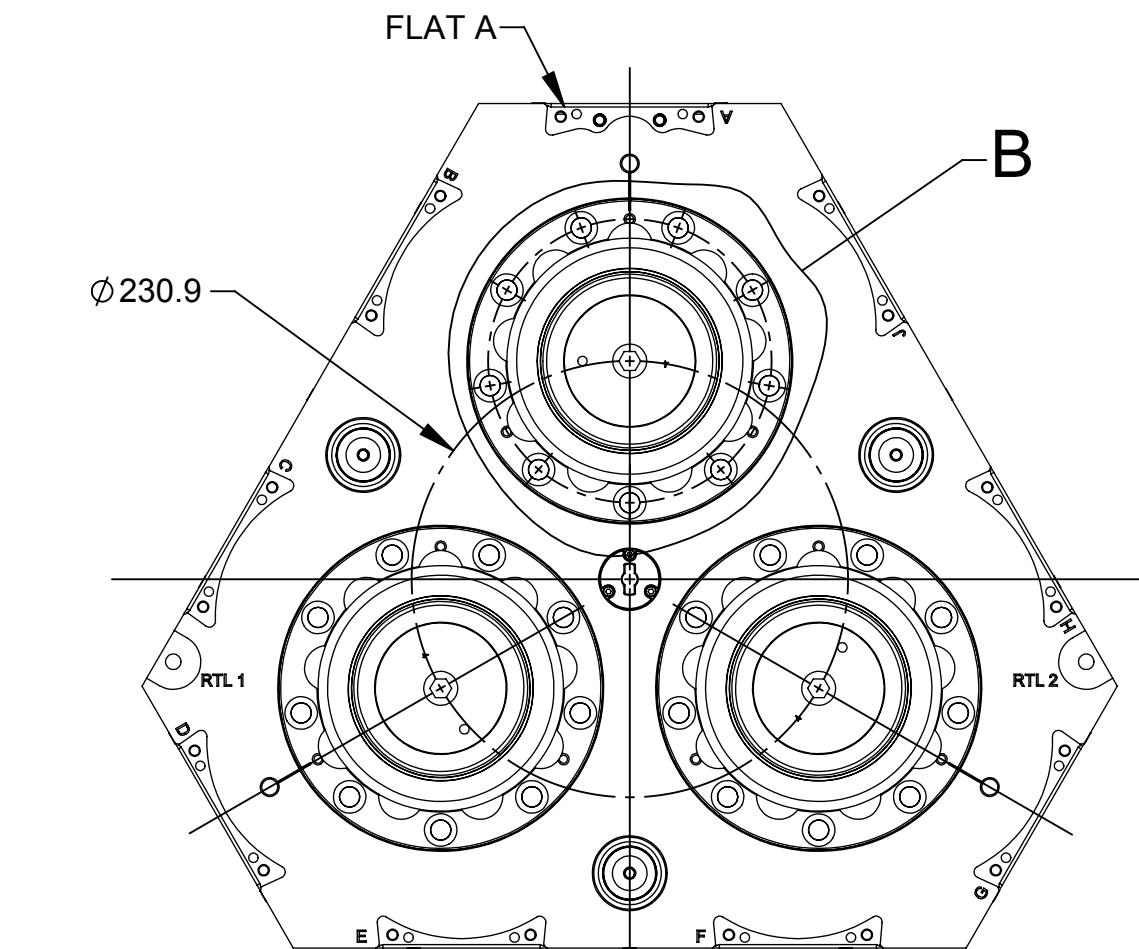
- NOTES:
1. TOOL CHANGER CONSISTS OF THREE LOCKING MECHANISMS AND SHARE A COMMON LOCK AND UNLOCK AIR SUPPLY.
  2. TOOL CHANGER CAPABLE OF DETECTING 'LOCK' AND 'UNLOCK' FOR EACH LOCKING MECHANISM.
  3. TOOL CHANGER CAPABLE OF DETECTING 'RTL' (READY-TO-LOCK) USING (3) PROXIMITY SENSORS.

NOTES: UNLESS OTHERWISE SPECIFIED.  
DO NOT SCALE DRAWING. ALL DIMENSIONS ARE IN MILLIMETERS.

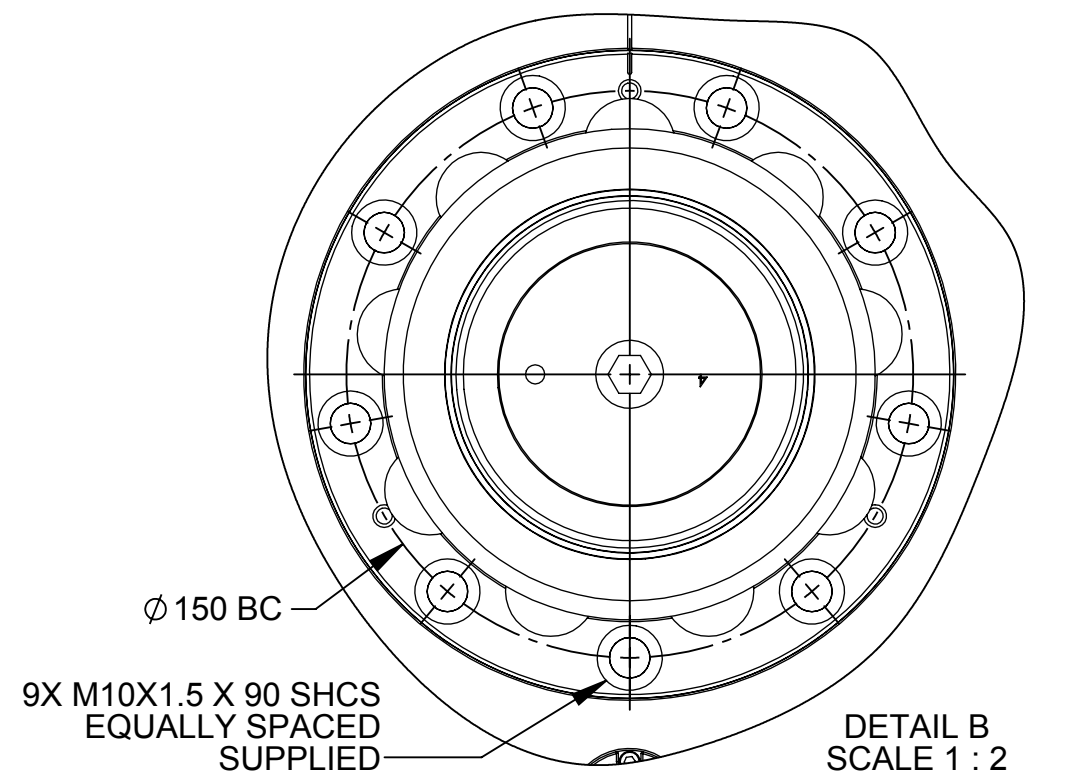
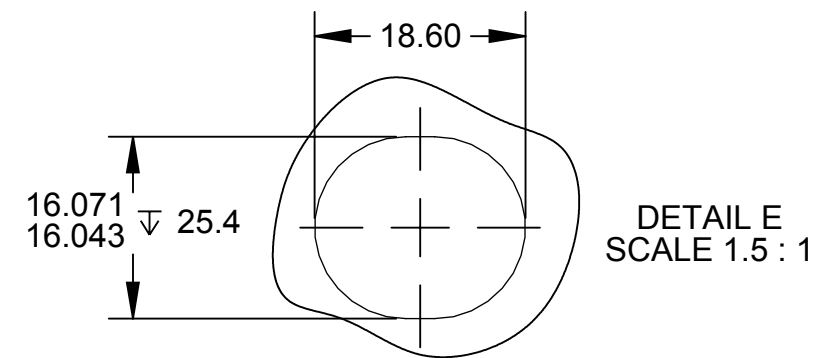


DRAWN BY: D.Lawson-1/16/18		TITLE QC-1310 Base Tool Changer		
CHECKED BY: D. Norton 8/14/18		SCALE 1:5	SIZE B	DRAWING NUMBER 9630-20-1310
PROJECT # 170427-2 SHEET 1 OF 5				REVISION 04

# QC-1310 MASTER SIDE MOUNTING PATTERN



Ø 16.071  
16.043 ∇ 25.4  
(M16 SF DP)



M10 SHCS MOUNTING PATTERN, 3X EQUALLY SPACED

NOTES: UNLESS OTHERWISE SPECIFIED.

DO NOT SCALE DRAWING.  
ALL DIMENSIONS ARE IN  
MILLIMETERS.



3rd ANGLE PROJECTION



1031 Goodworth Drive, Apex, NC 27539, USA  
Tel: +1.919.772.0115 Email: info@ati-ia.com  
Fax: +1.919.772.8259 www.ati-ia.com  
ISO 9001 Registered Company

PROPERTY OF ATI INDUSTRIAL AUTOMATION, INC. NOT TO BE REPRODUCED IN ANY MANNER EXCEPT ON ORDER OR WITH PRIOR WRITTEN AUTHORIZATION OF ATI.

DRAWN BY: D.Lawson-1/16/18

CHECKED BY: D. Norton 8/14/18

TITLE

QC-1310 Base Tool Changer

PROJECT # 170427-2 SHEET 2 OF 5

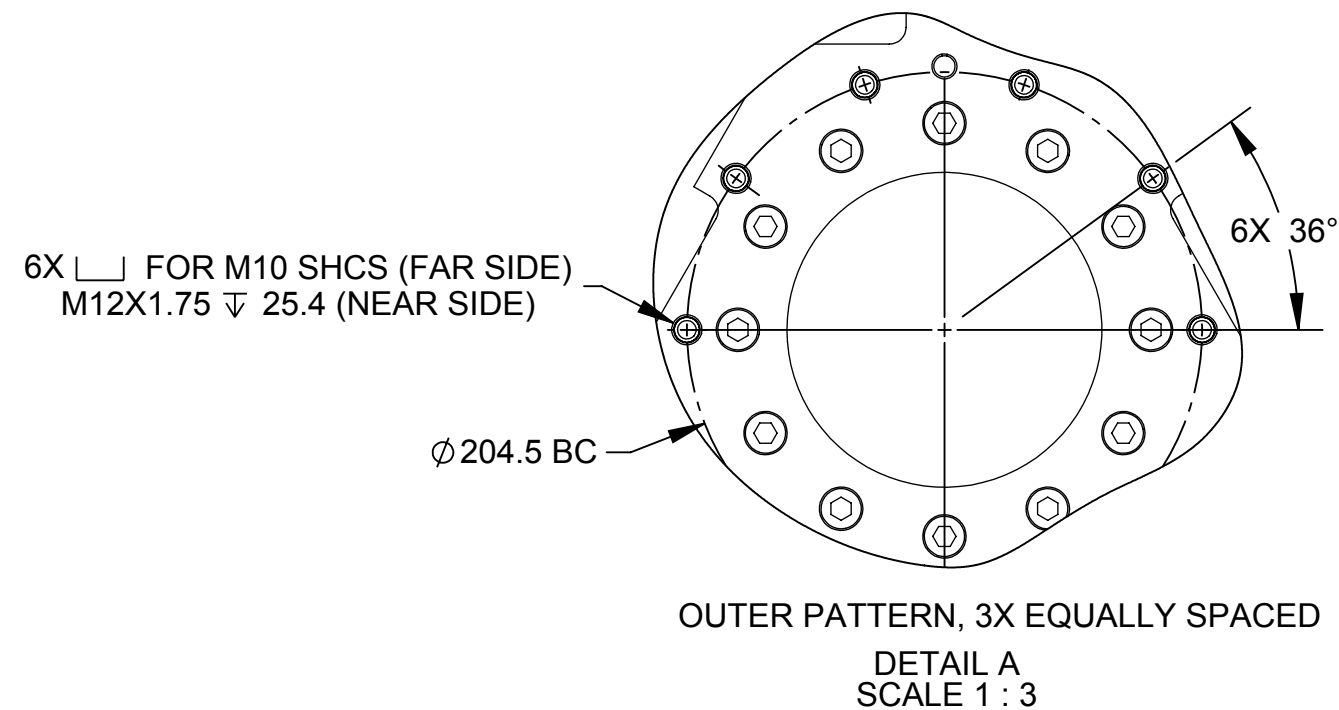
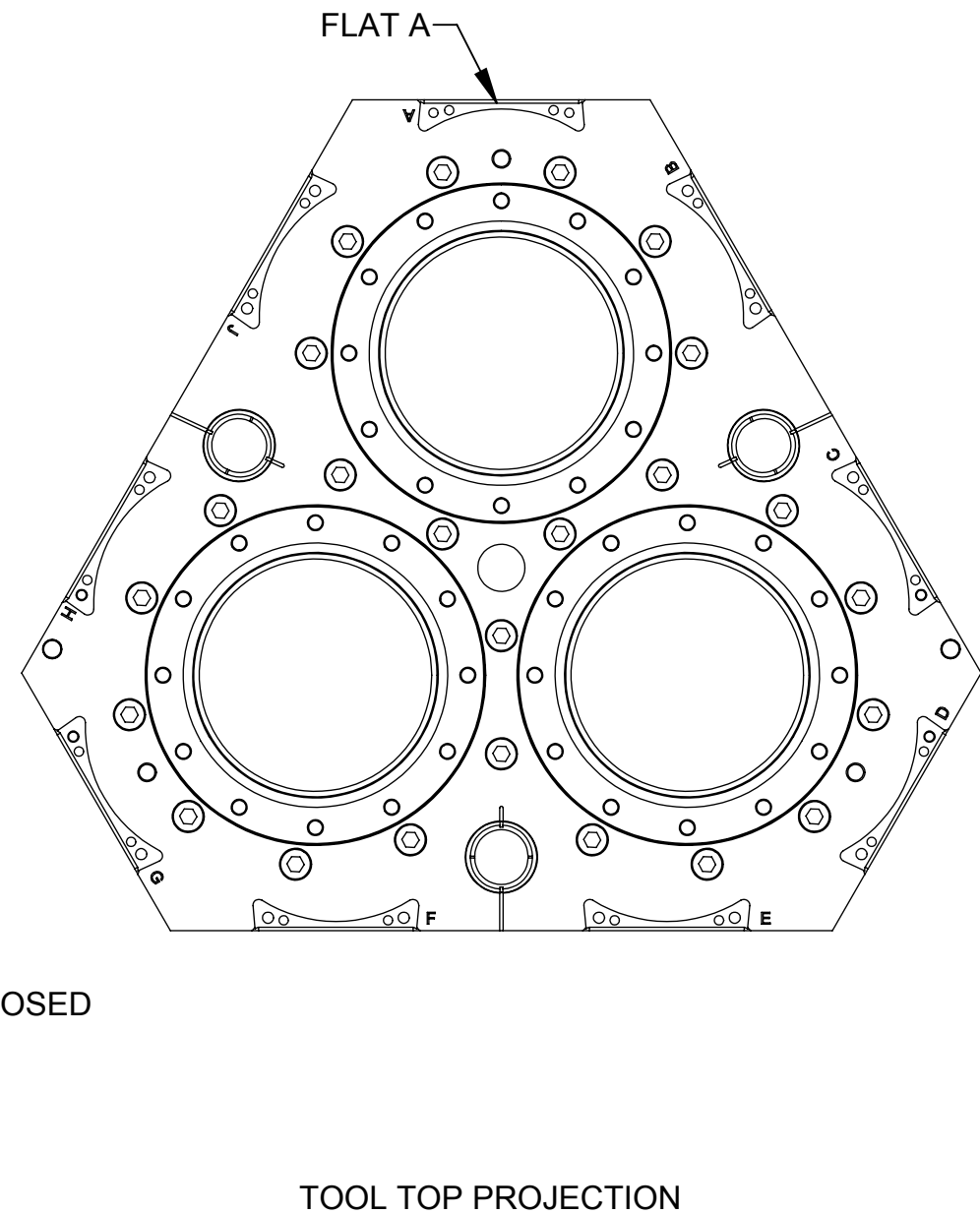
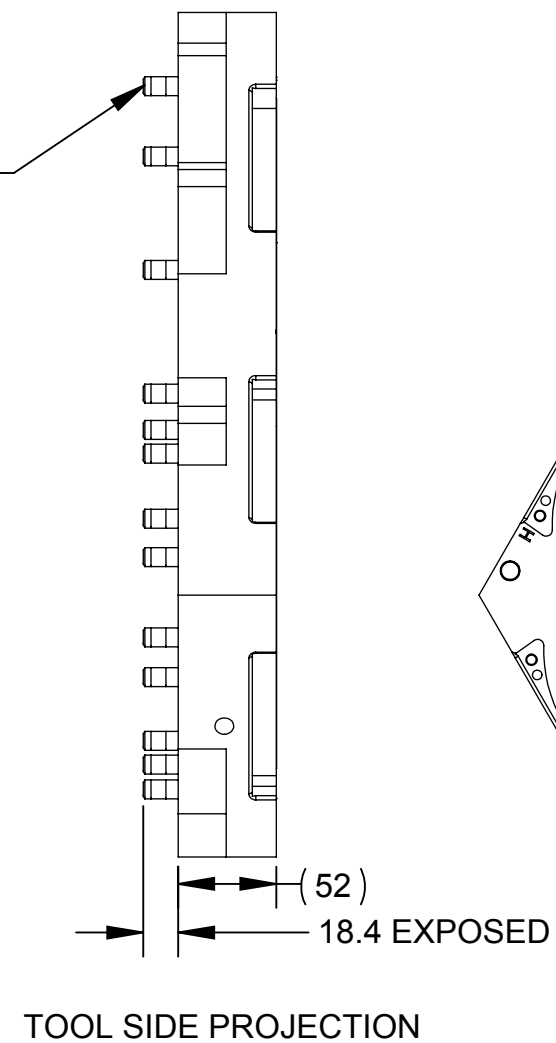
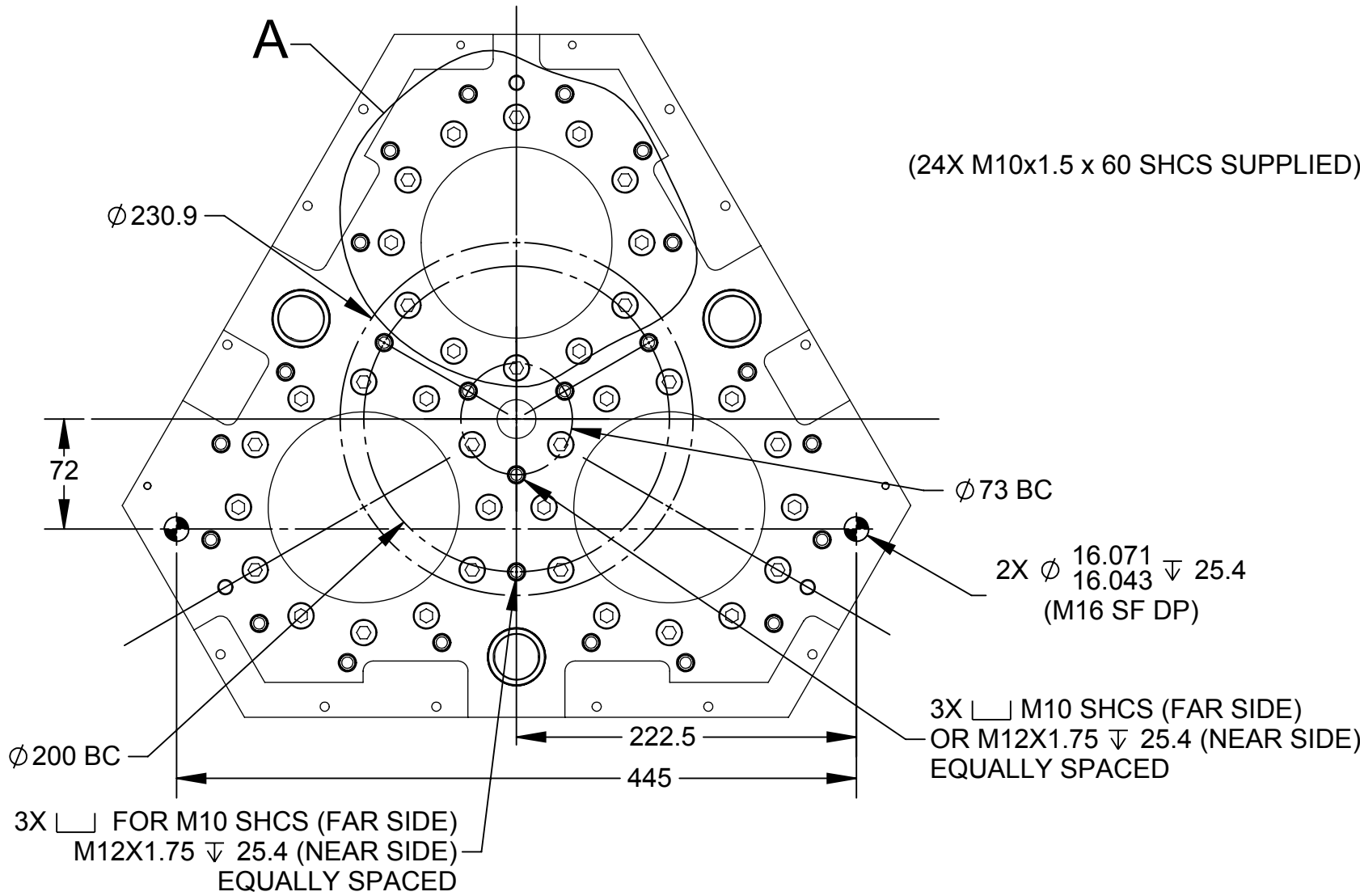
SCALE  
1:4

SIZE  
B

DRAWING NUMBER  
9630-20-1310

REVISION  
04

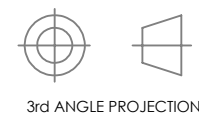
# QC-1310 TOOL SIDE MOUNTING PATTERN



**THE MOUNTING PATTERN MAY BE EITHER "BOLT UP" OR "BOLT DOWN"**  
**TOTAL (24) FASTENERS:**  
**M10X1.5 X 60 SHCS "BOLT DOWN" (SUPPLIED) OR**  
**M12X1.75 "BOLT UP" (CUSTOMER SUPPLIED)**

NOTES: UNLESS OTHERWISE SPECIFIED.

DO NOT SCALE DRAWING. ALL DIMENSIONS ARE IN MILLIMETERS.

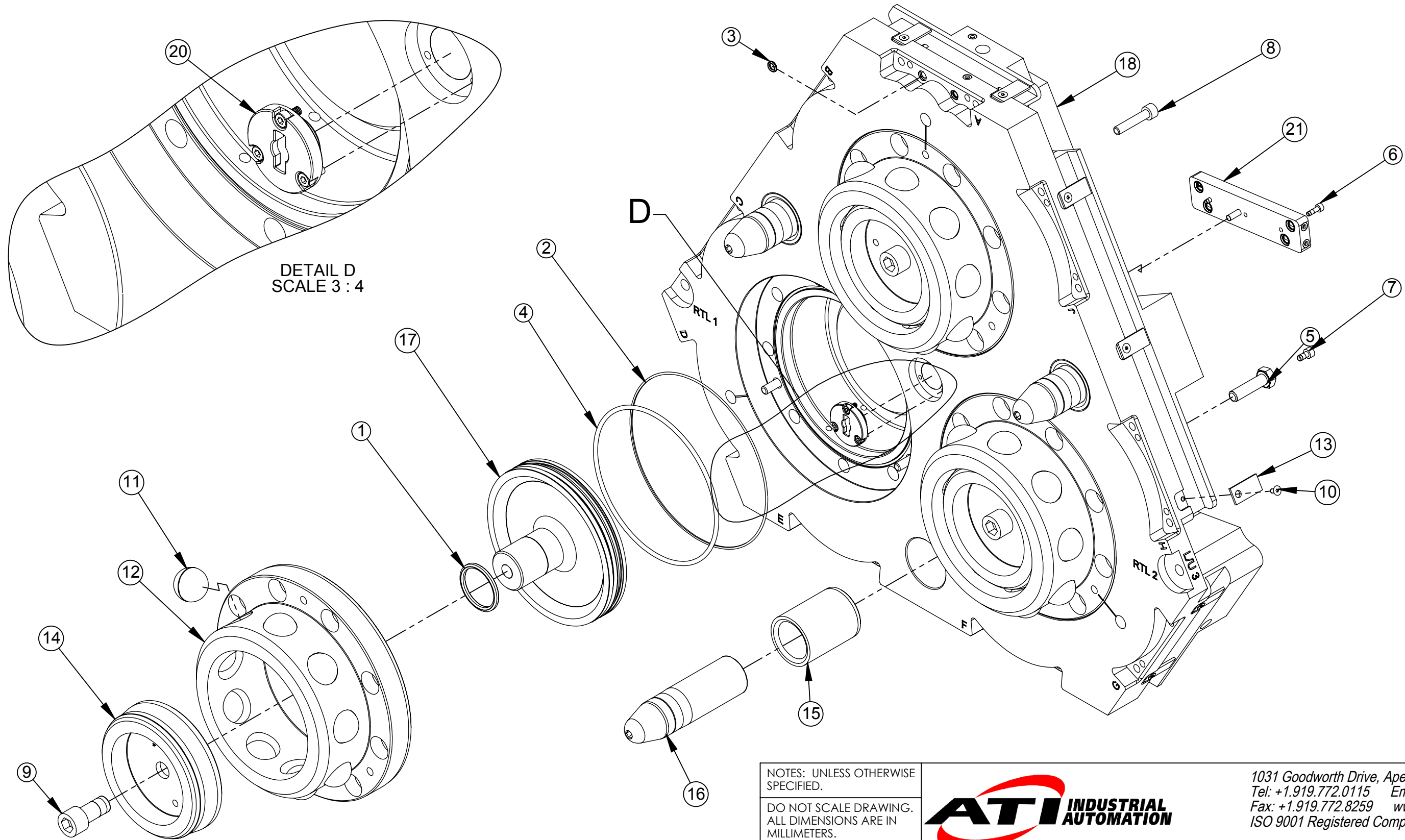


1031 Goodworth Drive, Apex, NC 27539, USA  
 Tel: +1.919.772.0115 Email: info@ati-ia.com  
 Fax: +1.919.772.8259 www.ati-ia.com  
 ISO 9001 Registered Company

PROPERTY OF ATI INDUSTRIAL AUTOMATION, INC. NOT TO BE REPRODUCED IN ANY MANNER EXCEPT ON ORDER OR WITH PRIOR WRITTEN AUTHORIZATION OF ATI.

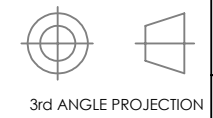
DRAWN BY: D.Lawson-1/16/18		TITLE		
CHECKED BY: D. Norton 8/14/18		QC-1310 Base Tool Changer		
PROJECT # 170427-2	SHEET 3 OF 5	SCALE 1:4	SIZE B	DRAWING NUMBER 9630-20-1310
				REVISION 04

# QC-1310 MASTER SIDE COMPONENTS



DETAIL D  
SCALE 3 : 4

NOTES: UNLESS OTHERWISE SPECIFIED.  
DO NOT SCALE DRAWING. ALL DIMENSIONS ARE IN MILLIMETERS.

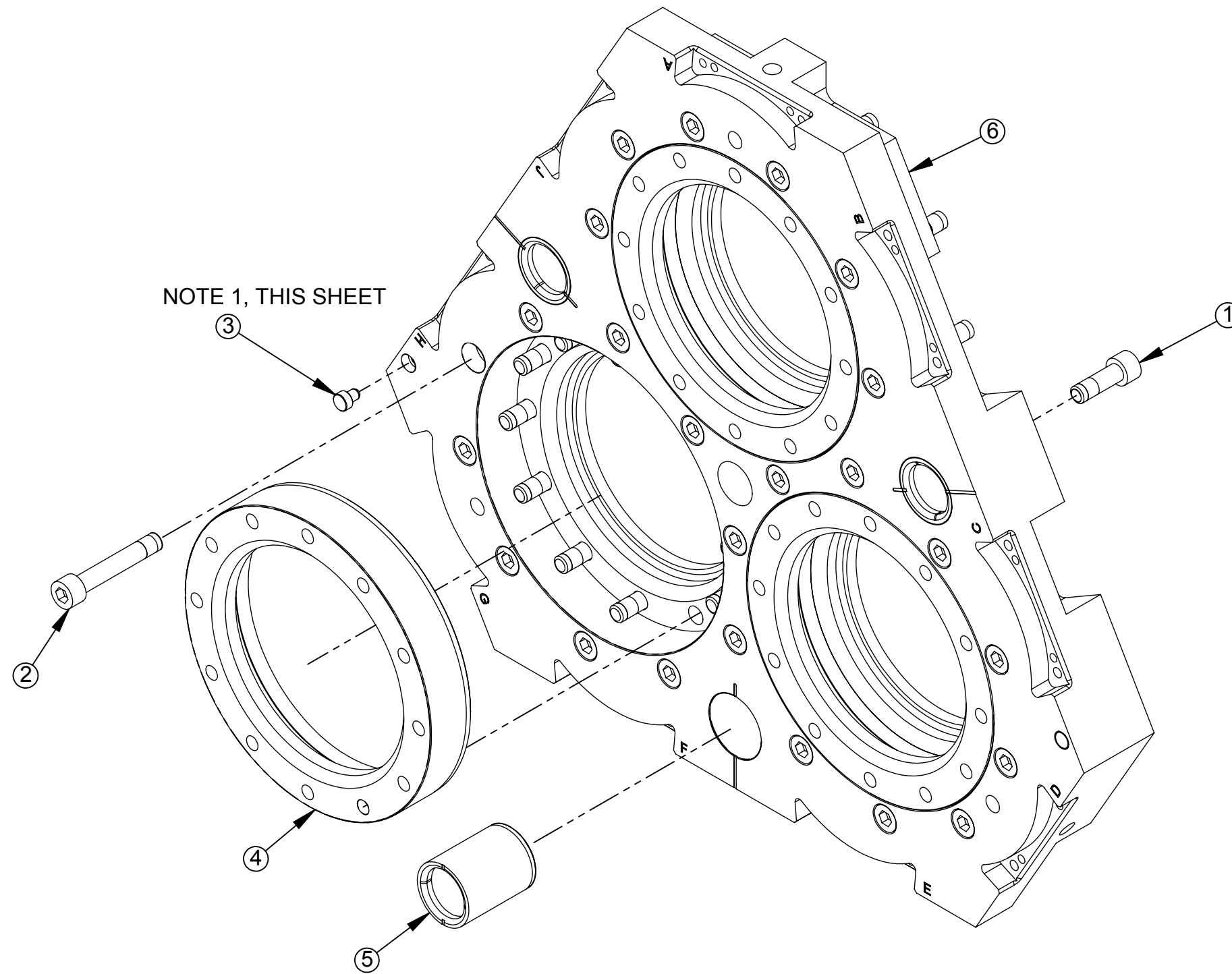


1031 Goodworth Drive, Apex, NC 27539, USA  
Tel: +1.919.772.0115 Email: info@ati-ia.com  
Fax: +1.919.772.8259 www.ati-ia.com  
ISO 9001 Registered Company

PROPERTY OF ATI INDUSTRIAL AUTOMATION, INC. NOT TO BE REPRODUCED IN ANY MANNER EXCEPT ON ORDER OR WITH PRIOR WRITTEN AUTHORIZATION OF ATI.

DRAWN BY: D.Lawson-1/16/18		TITLE	
CHECKED BY: D. Norton 8/14/18		QC-1310 Base Tool Changer	
PROJECT # 170427-2	SHEET 4 OF 5	SCALE 3:8	SIZE B
		DRAWING NUMBER 9630-20-1310	REVISION 04

# QC-1310 TOOL SIDE COMPONENTS



NOTES: (SHEET 5)

1. PRESS BUTTONS FLUSH WITH BODY (+0 / 0.010").

NOTES: UNLESS OTHERWISE SPECIFIED.

DO NOT SCALE DRAWING. ALL DIMENSIONS ARE IN MILLIMETERS.



3rd ANGLE PROJECTION



DRAWN BY: D.Lawson-1/16/18

CHECKED BY: D. Norton 8/14/18

PROJECT # 170427-2 SHEET 5 OF 5

TITLE

QC-1310 Base Tool Changer

SCALE  
3:8

SIZE  
B

DRAWING NUMBER  
9630-20-1310

REVISION  
04