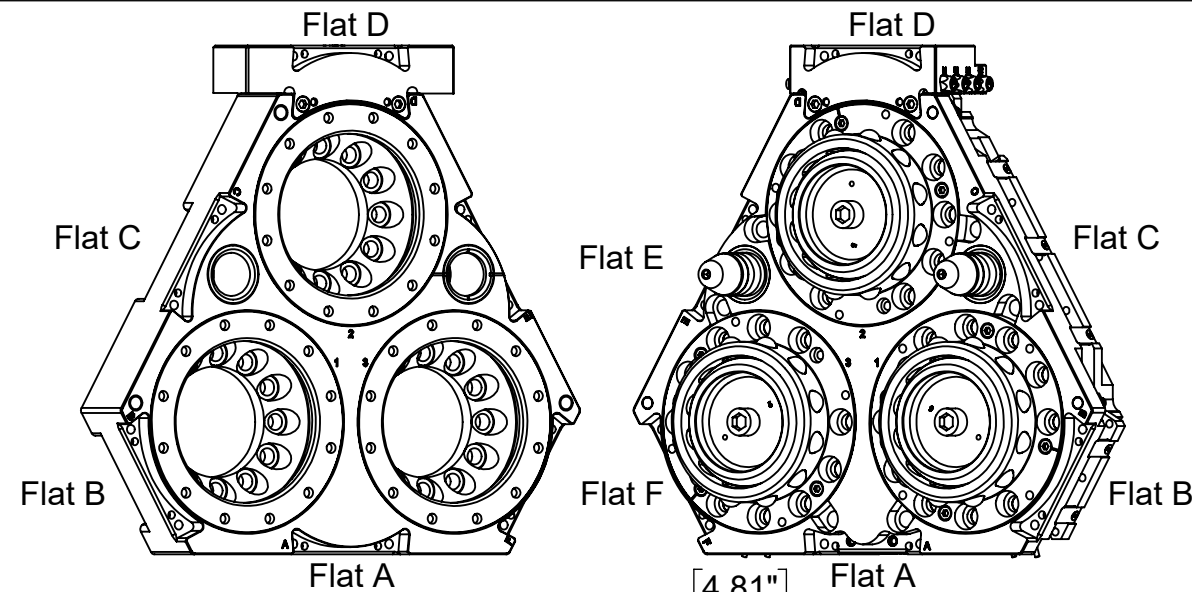
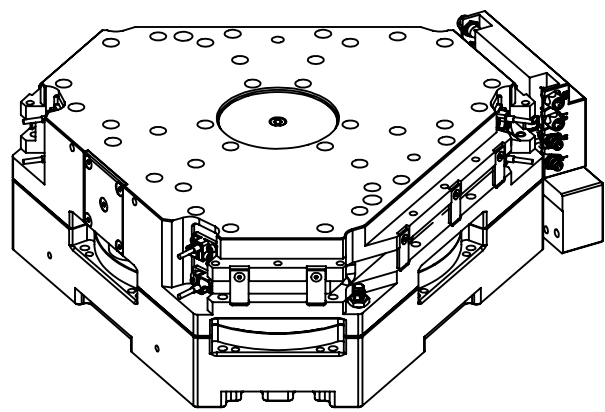
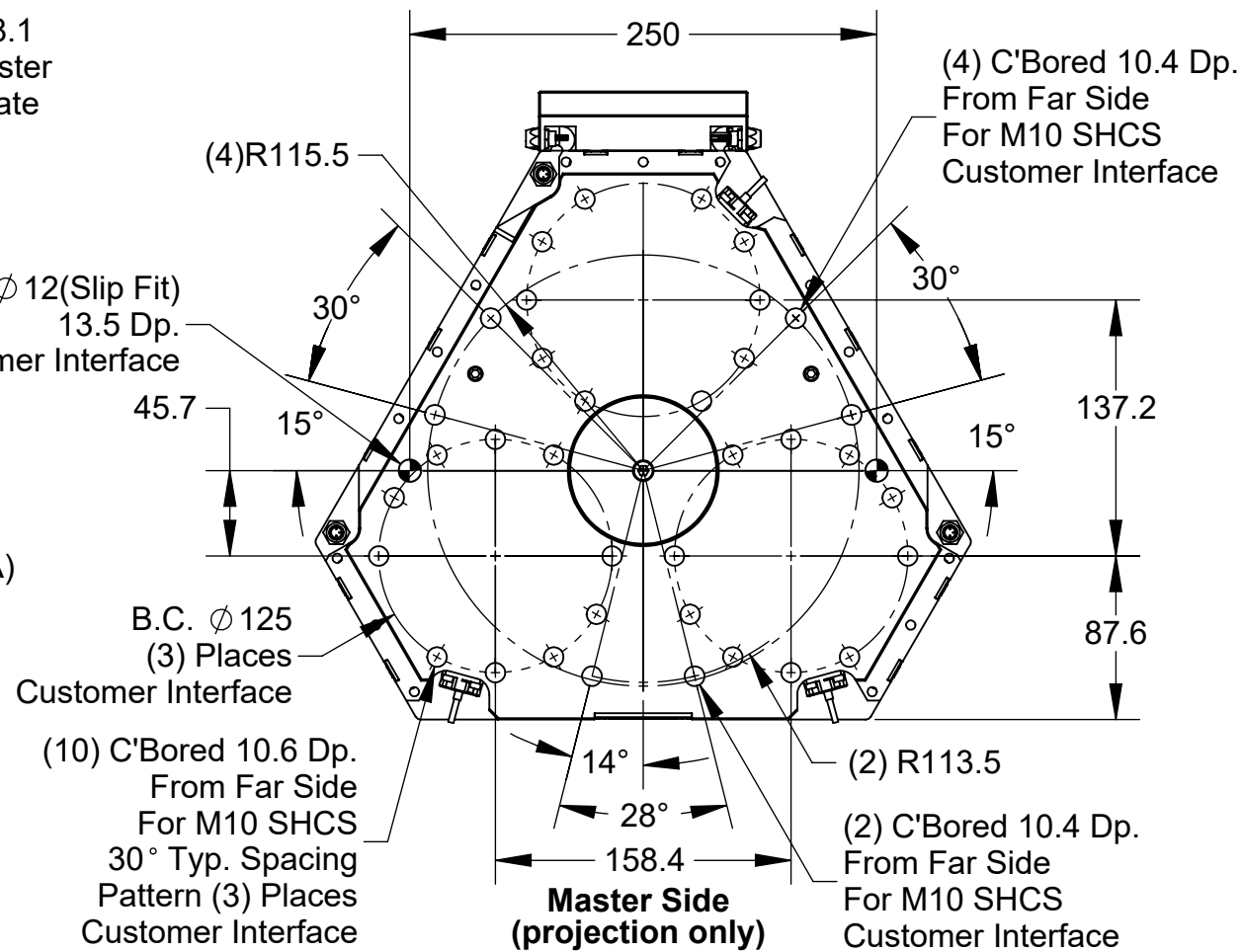
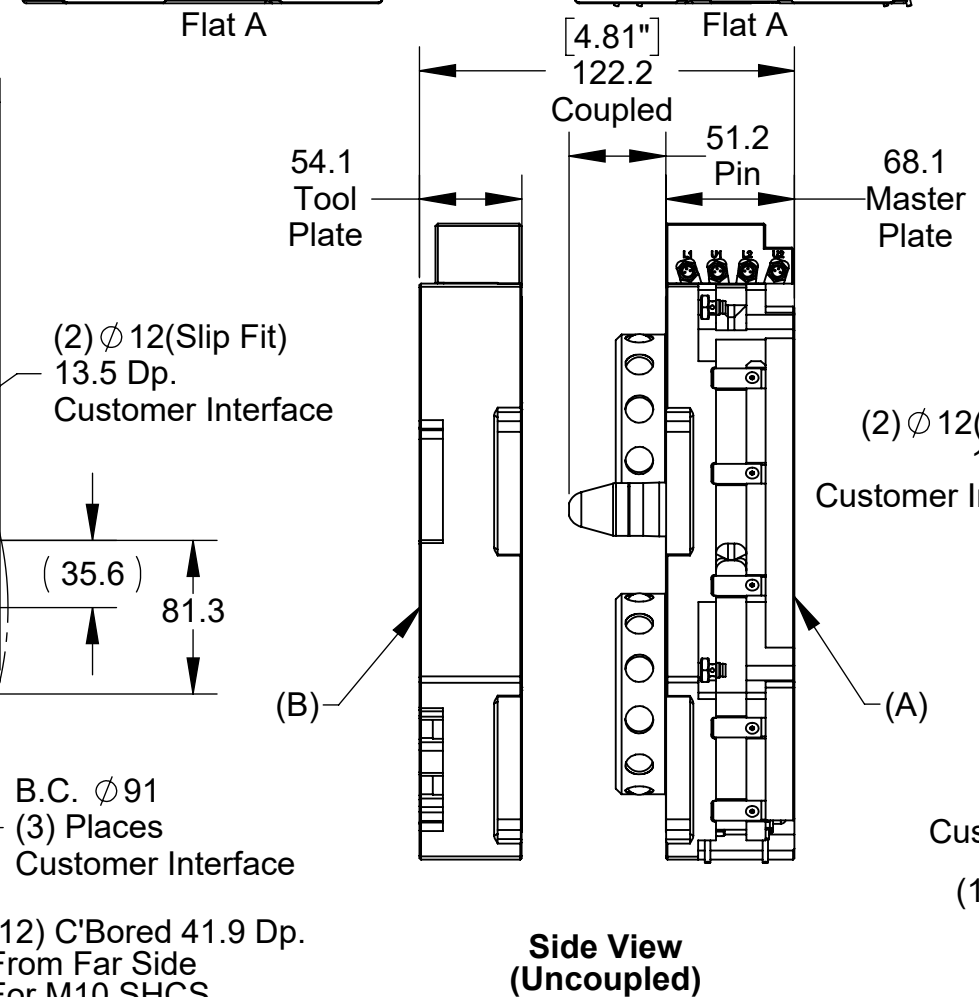
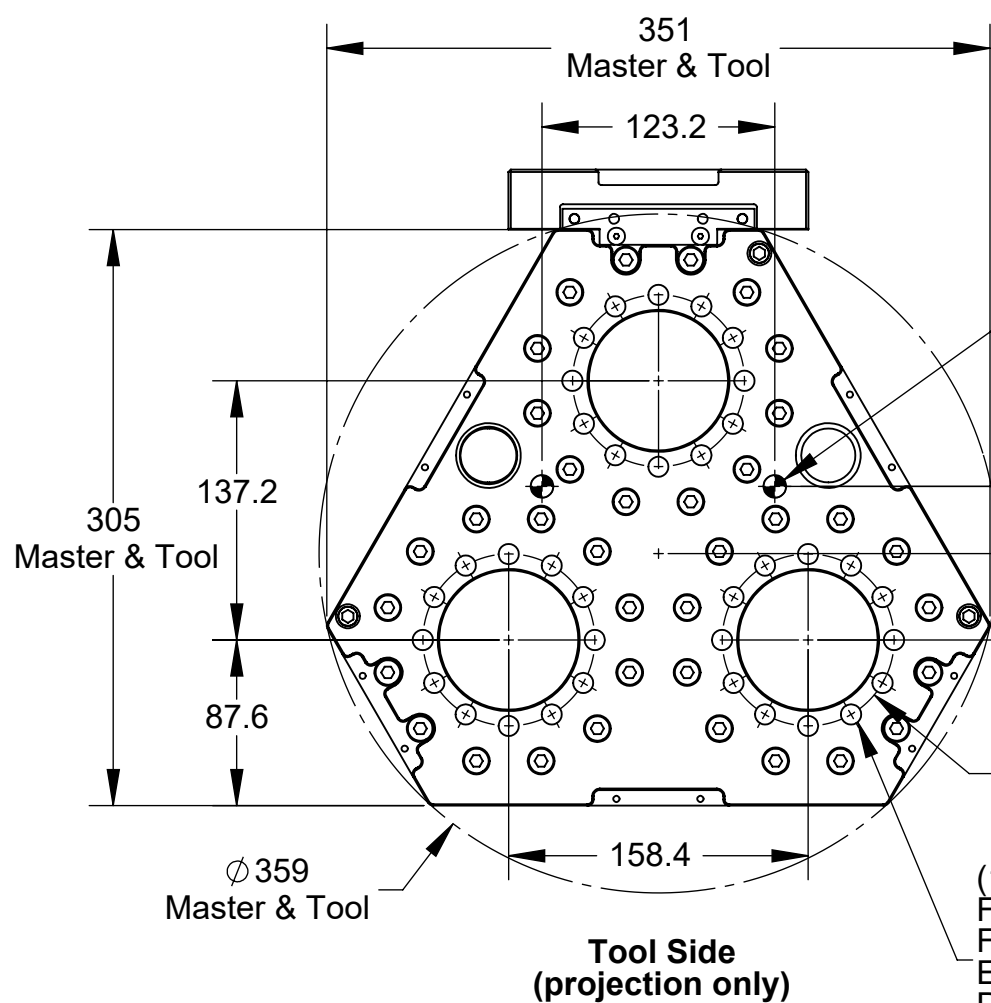


Rev.	Description	Initiator	Date
07	ECO 20251; Replaced 9121-1210AM-0-0-0-0-0 with 9121-1210AM-0-0-0-0-0-SL. Replaced Master part number with 9121-1210AM-0-0-0-0-0-SL. Updated titleblocks. Updated the Tool to reflect the added 9005-20-1604	DS	7/21/2022



Part Numbers:
 (A) Master: 9121-1210AM-0-0-0-0-0-SX (Note 4)
 (B) Tool: 9121-1210AT-0-0-0-0-0-0

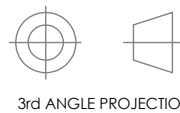


Notes:

1. Tool Changer consists of three locking mechanisms and share a common lock and unlock air supply.
2. Tool Changer capable of detecting 'Lock' and 'Unlock' for each locking mechanism.
3. Tool Changer capable of detecting 'RTL' (Ready-to-Lock) using (3) proximity sensors.
4. '-SX' in master part number denotes sensor options are available.

NOTES: UNLESS OTHERWISE SPECIFIED.

DO NOT SCALE DRAWING. ALL DIMENSIONS ARE IN MILLIMETERS.



DRAWN BY: D. Swanson, 5/21/09

CHECKED BY: M. Gala, 5/22/09

TITLE

QC-1210 Base Tool Changer

PROJECT #

SHEET 1 OF 3

SCALE
1:4

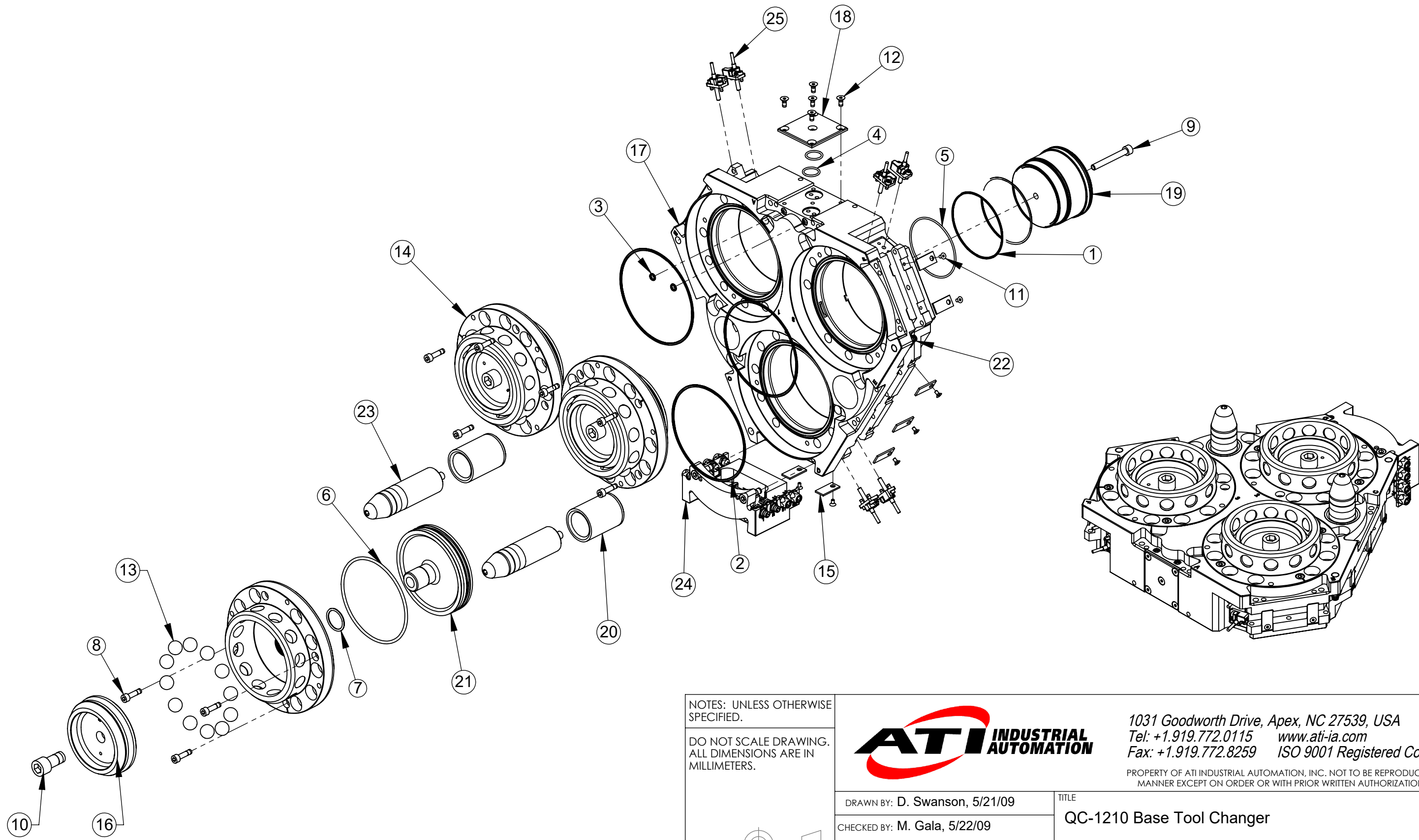
SIZE
B

DRAWING NUMBER
9630-20-1210

REVISION
07

QC-1210 Master Assembly

9121-1210AM-0-0-0-0-0-0-SX



NOTES: UNLESS OTHERWISE SPECIFIED.

DO NOT SCALE DRAWING. ALL DIMENSIONS ARE IN MILLIMETERS.



3rd ANGLE PROJECTION



1031 Goodworth Drive, Apex, NC 27539, USA
 Tel: +1.919.772.0115 www.ati-ia.com
 Fax: +1.919.772.8259 ISO 9001 Registered Company

PROPERTY OF ATI INDUSTRIAL AUTOMATION, INC. NOT TO BE REPRODUCED IN ANY MANNER EXCEPT ON ORDER OR WITH PRIOR WRITTEN AUTHORIZATION OF ATI.

DRAWN BY: D. Swanson, 5/21/09

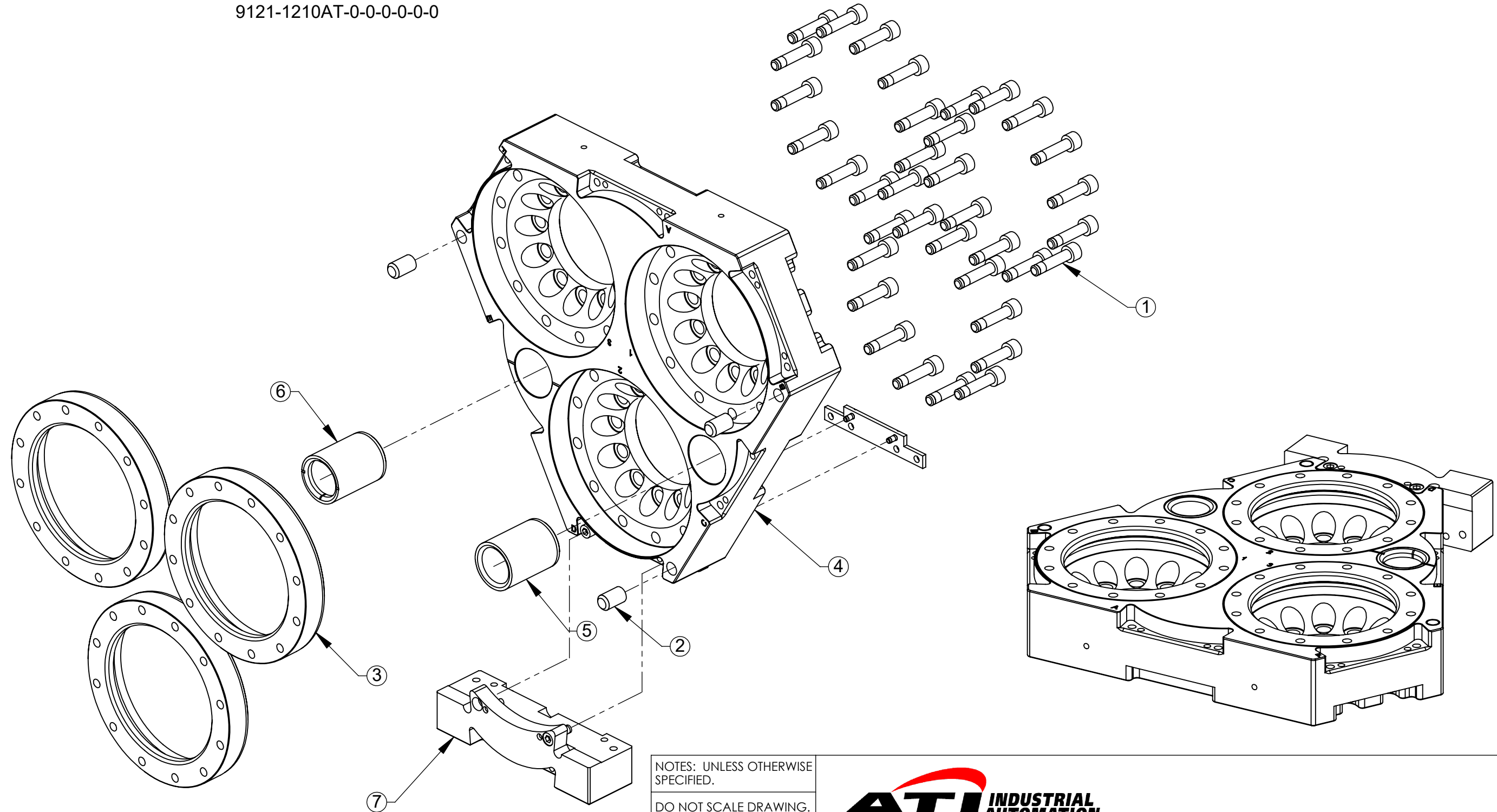
CHECKED BY: M. Gala, 5/22/09

TITLE
QC-1210 Base Tool Changer

PROJECT #	SCALE	SIZE	DRAWING NUMBER	REVISION
SHEET 2 OF 3	1:4	B	9630-20-1210	07

QC-1210 Tool Assembly

9121-1210AT-0-0-0-0-0



NOTES: UNLESS OTHERWISE SPECIFIED.

DO NOT SCALE DRAWING. ALL DIMENSIONS ARE IN MILLIMETERS.



3rd ANGLE PROJECTION



DRAWN BY: D. Swanson, 5/21/09

CHECKED BY: M. Gala, 5/22/09

TITLE

QC-1210 Base Tool Changer

PROJECT #	SHEET 3 OF 3	SCALE	SIZE	DRAWING NUMBER	REVISION
		1:3	B	9630-20-1210	07