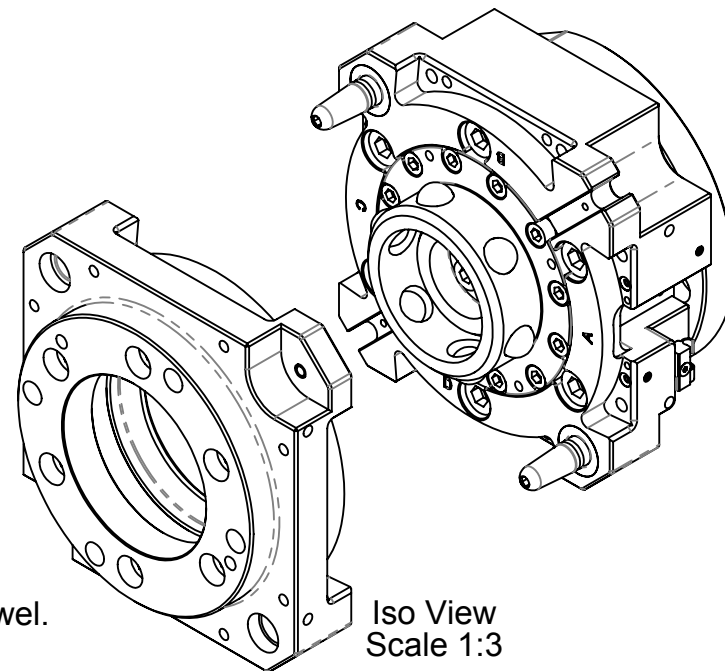
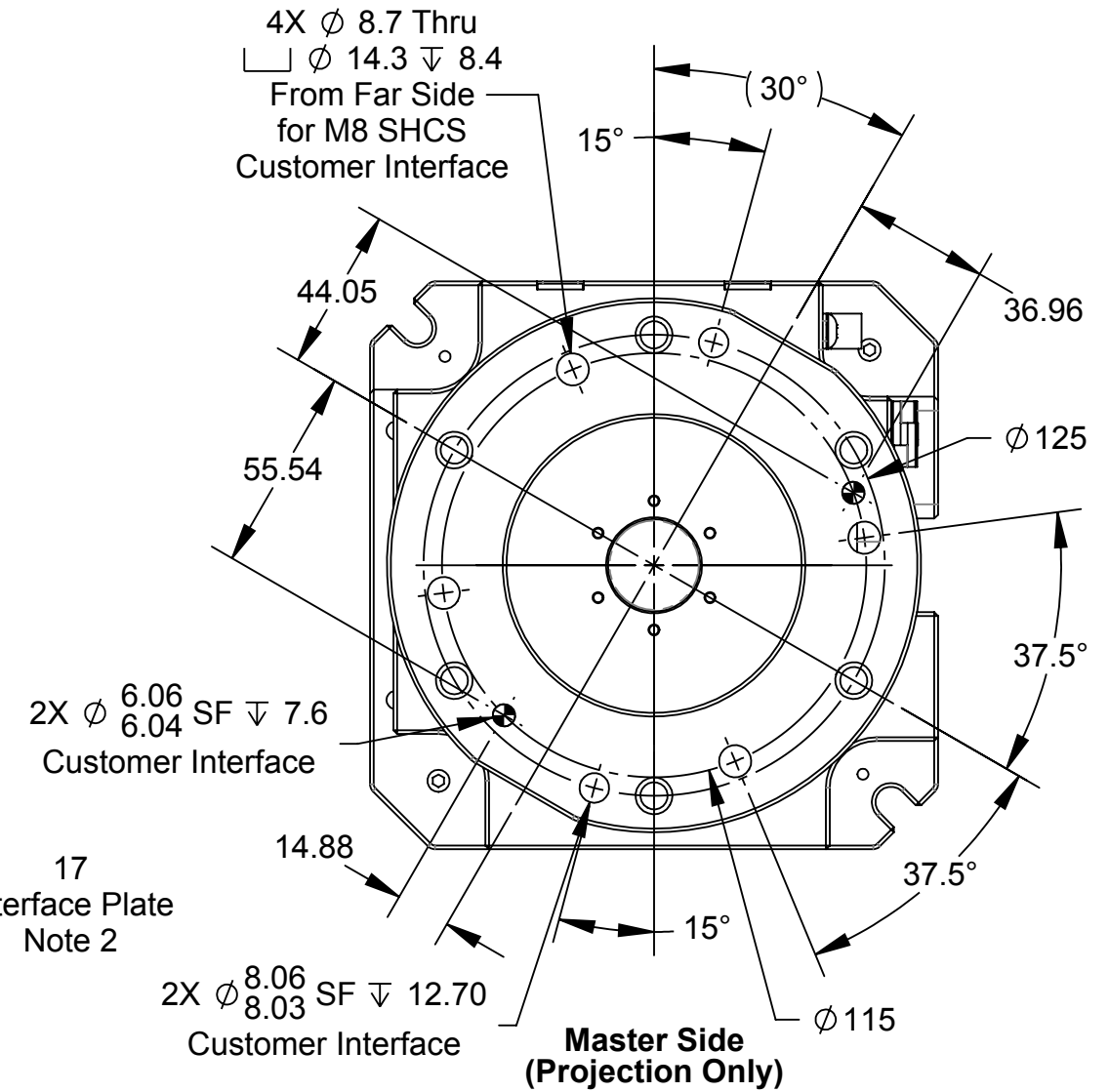
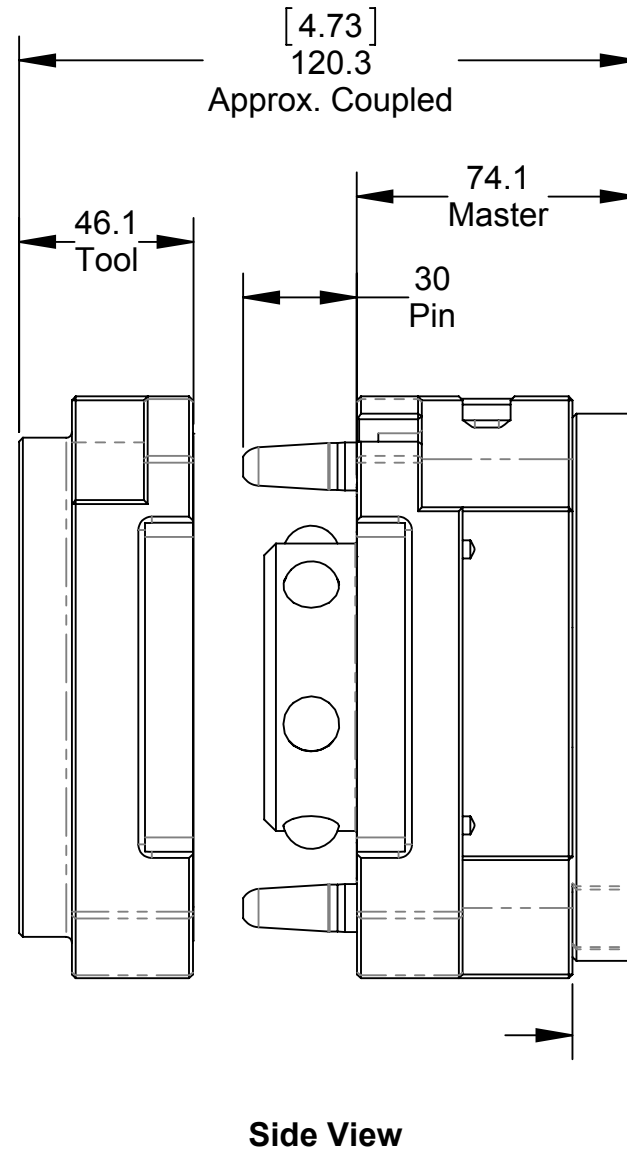
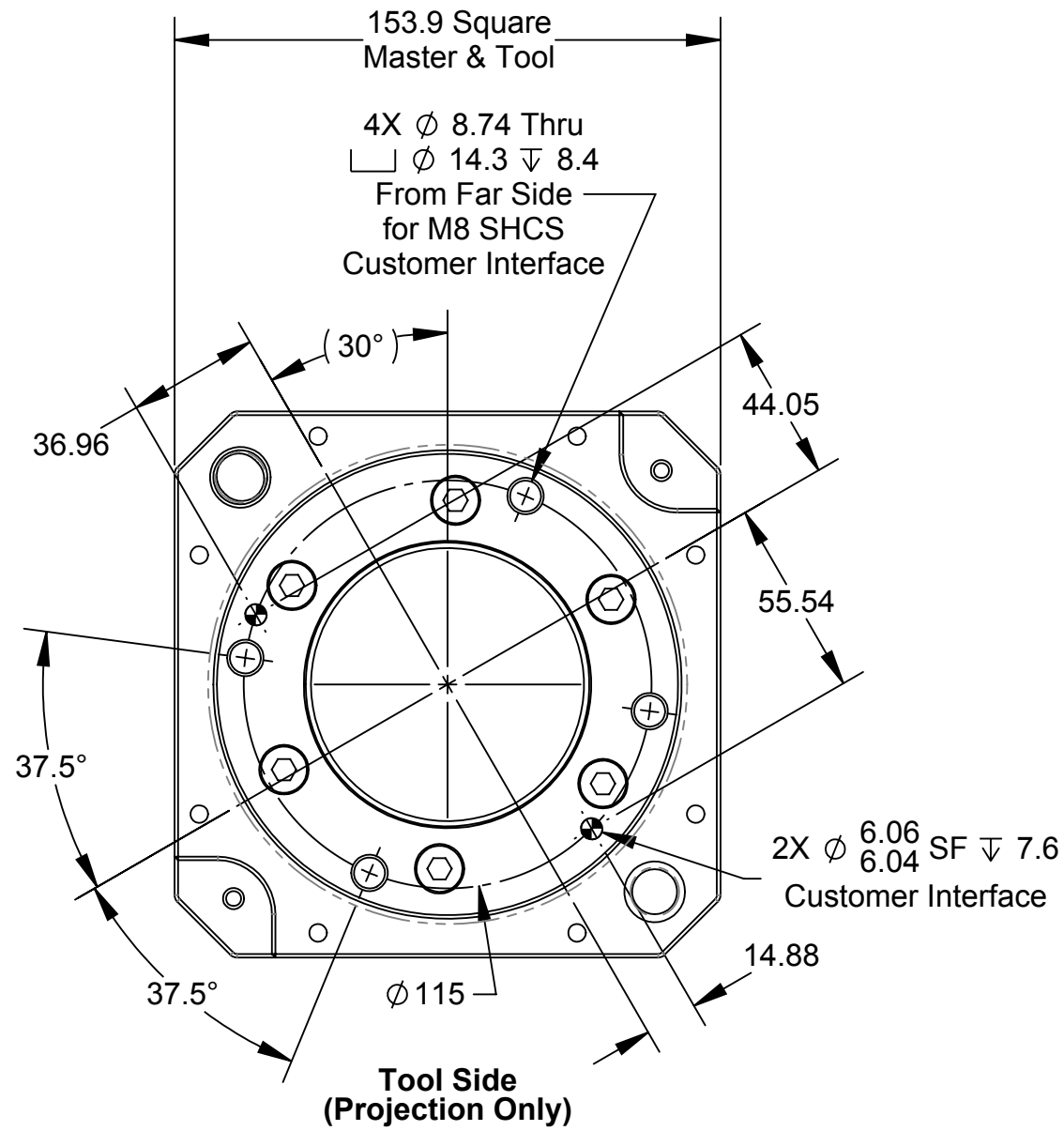


Rev.	Description	Initiator	Date
02	Added 2X 8mm SF dowels to Master customer interface.	KRZ	06/23/14



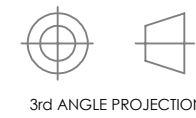
ITEM NO.	QTY.	PART NUMBER	DESCRIPTION
1	1	9121-113AMX-0-0-0-0	QC-113 Master Base Assembly (Sleeveless), No Options
2	1	9121-113BT-0-0-0-0	QC-113 Tool with 80mm Recess

NOTES: UNLESS OTHERWISE SPECIFIED.
DO NOT SCALE DRAWING. ALL DIMENSIONS ARE IN MILLIMETERS.



PROPERTY OF ATI INDUSTRIAL AUTOMATION, INC. NOT TO BE REPRODUCED IN ANY MANNER EXCEPT ON ORDER OR WITH PRIOR WRITTEN AUTHORIZATION OF ATI.

DRAWN BY: K. Zachary 05/08/14		TITLE	
CHECKED BY: D. Norton 05/08/14		QC-113 Base Tool Changer	
SCALE	SIZE	DRAWING NUMBER	REVISION
1:2	B	9630-20-113	02

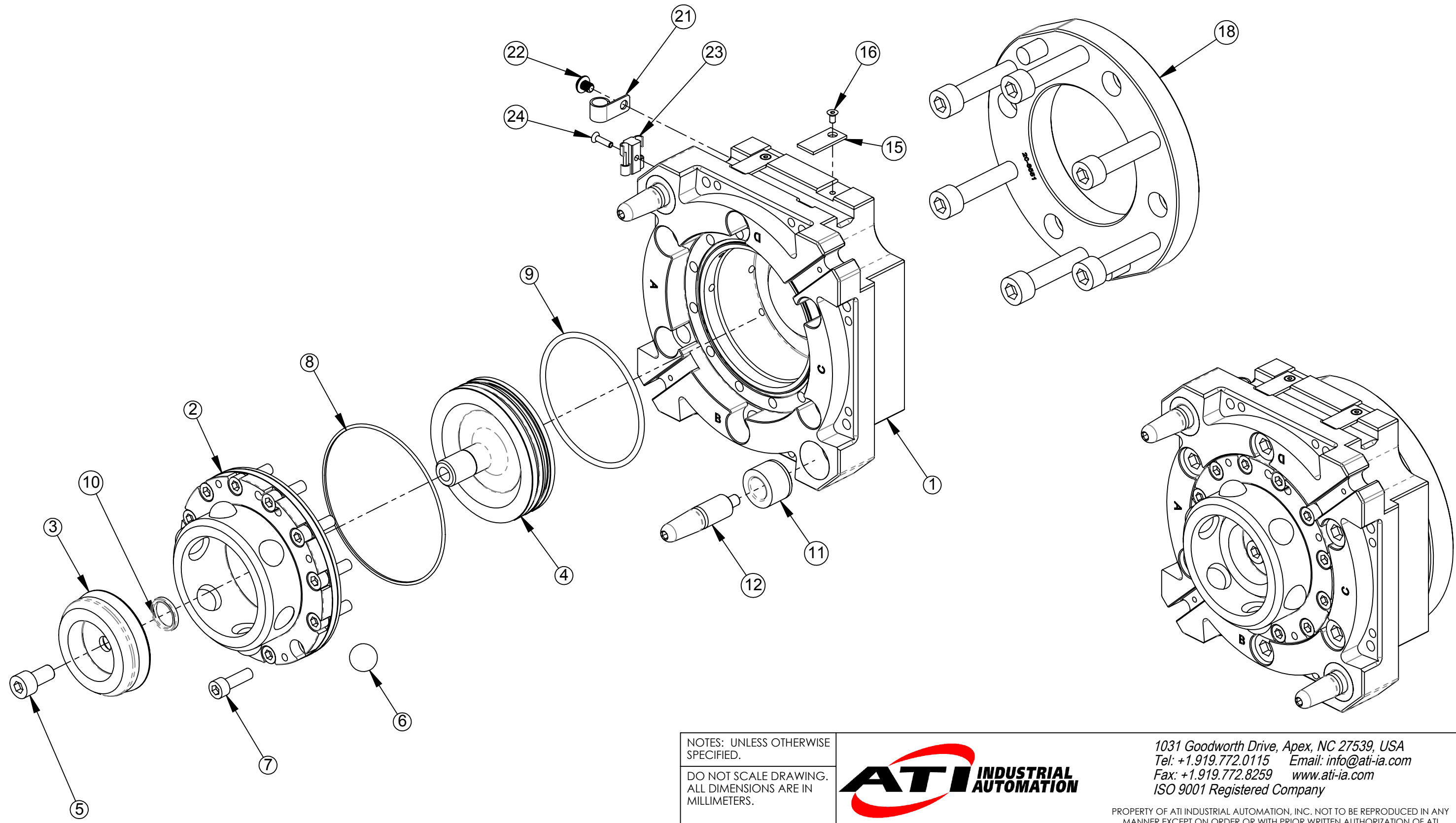


PROJECT # 131028-1 SHEET 1 OF 3

Notes:
1. Design is subject to change.
2. Without interface plate Master features ISO 125mm mounting pattern - (6) M10 SHCS and (2) 10mm dowel. Optional Master side mounting bosses available.

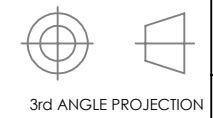
QC-113 Master Assembly

Rev.	Description	Initiator	Date
-	See Sheet1	-	-



NOTES: UNLESS OTHERWISE SPECIFIED.

DO NOT SCALE DRAWING. ALL DIMENSIONS ARE IN MILLIMETERS.



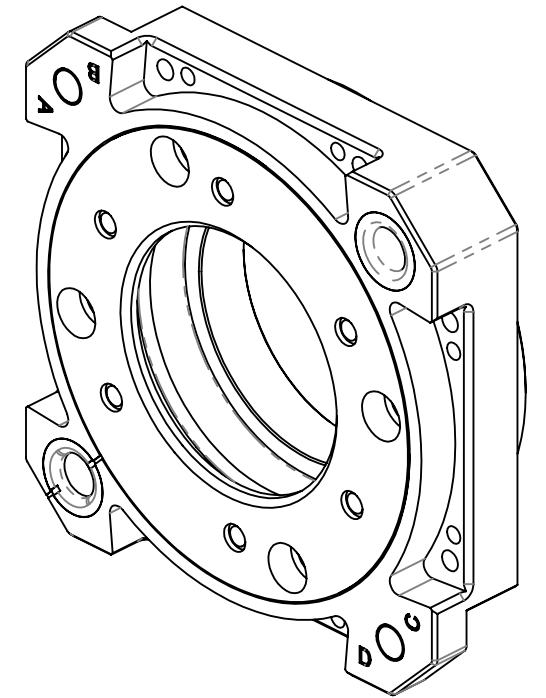
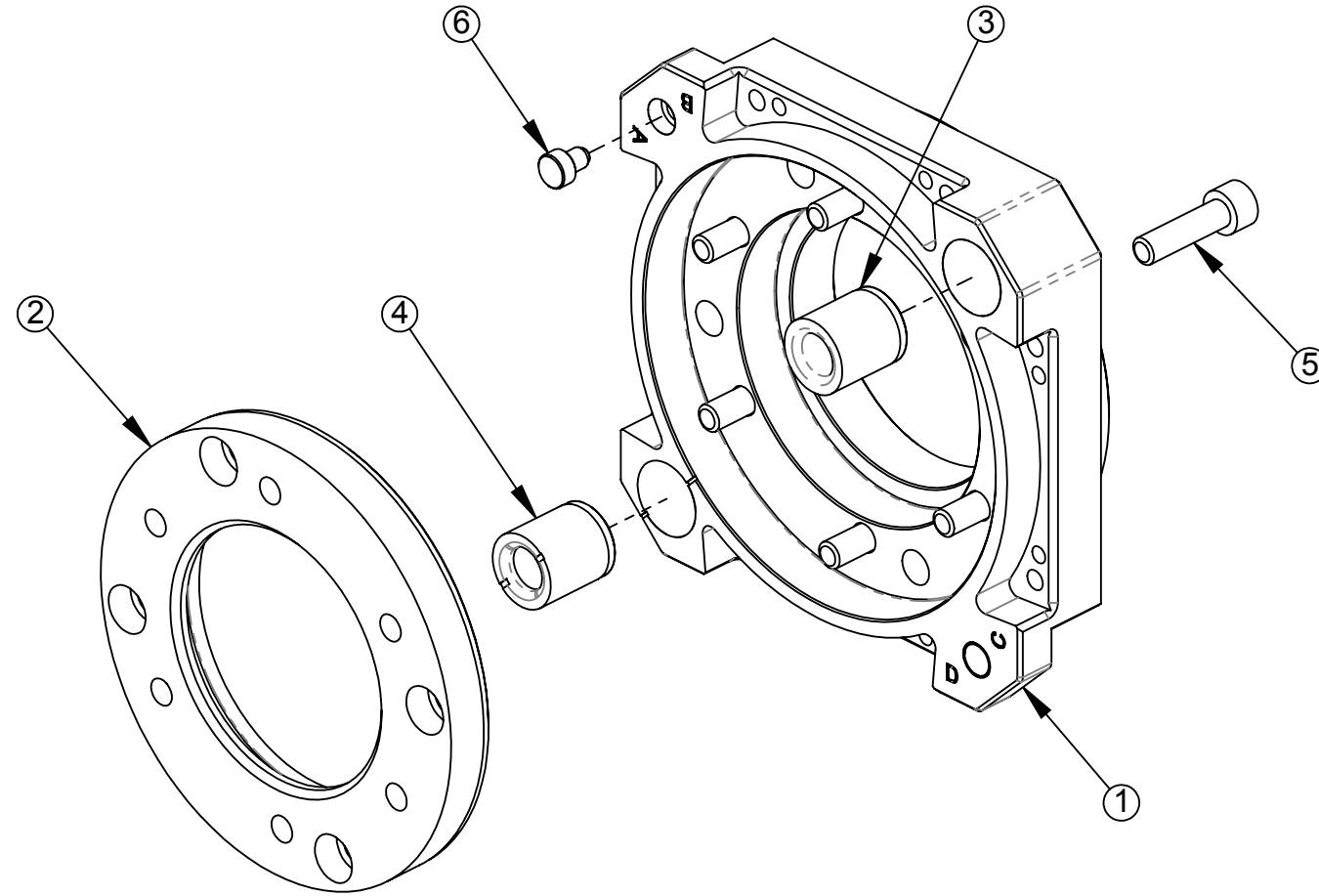
1031 Goodworth Drive, Apex, NC 27539, USA
 Tel: +1.919.772.0115 Email: info@ati-ia.com
 Fax: +1.919.772.8259 www.ati-ia.com
 ISO 9001 Registered Company

PROPERTY OF ATI INDUSTRIAL AUTOMATION, INC. NOT TO BE REPRODUCED IN ANY MANNER EXCEPT ON ORDER OR WITH PRIOR WRITTEN AUTHORIZATION OF ATI.

DRAWN BY: K. Zachary 05/08/14		TITLE	
CHECKED BY: D. Norton 05/08/14		QC-113 Base Tool Changer	
PROJECT # 131028-1	SHEET 2 OF 3	SCALE 1:2	SIZE B
		DRAWING NUMBER 9630-20-113	REVISION 02

QC-113 Tool Assembly

Rev.	Description	Initiator	Date
-	See Sheet1	-	-



NOTES: UNLESS OTHERWISE SPECIFIED.

DO NOT SCALE DRAWING.
ALL DIMENSIONS ARE IN MILLIMETERS.



3rd ANGLE PROJECTION



PROPERTY OF ATI INDUSTRIAL AUTOMATION, INC. NOT TO BE REPRODUCED IN ANY MANNER EXCEPT ON ORDER OR WITH PRIOR WRITTEN AUTHORIZATION OF ATI.

DRAWN BY: K. Zachary 05/08/14		TITLE	
CHECKED BY: D. Norton 05/08/14		QC-113 Base Tool Changer	
PROJECT #	131028-1	SHEET	OF 3
SCALE	1:2	SIZE	B
DRAWING NUMBER	9630-20-113	REVISION	02