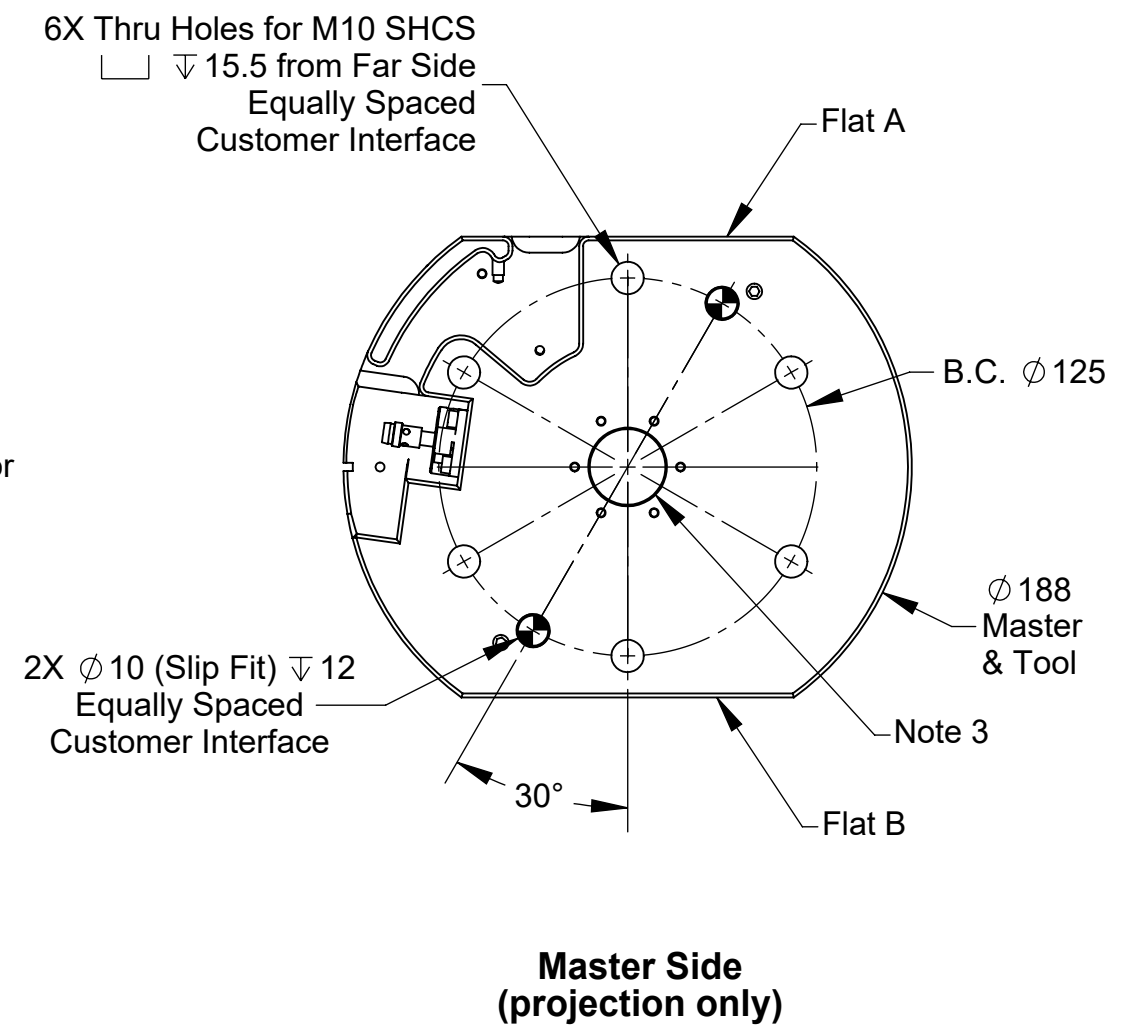
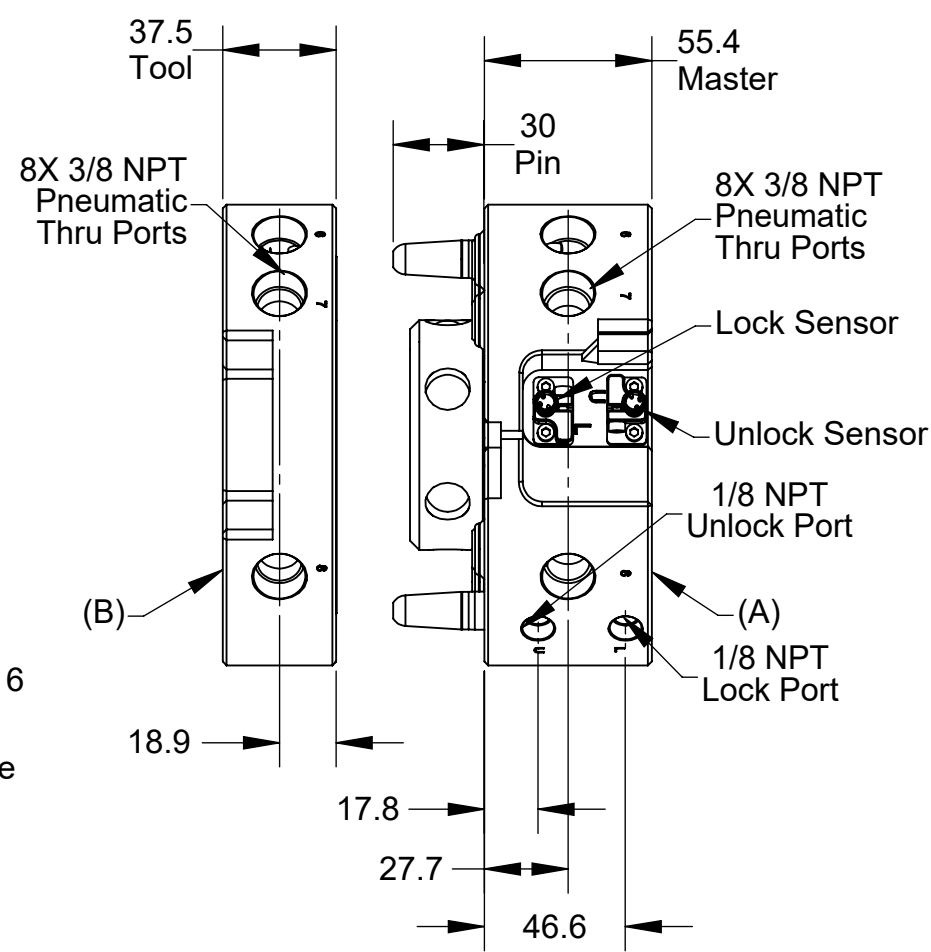
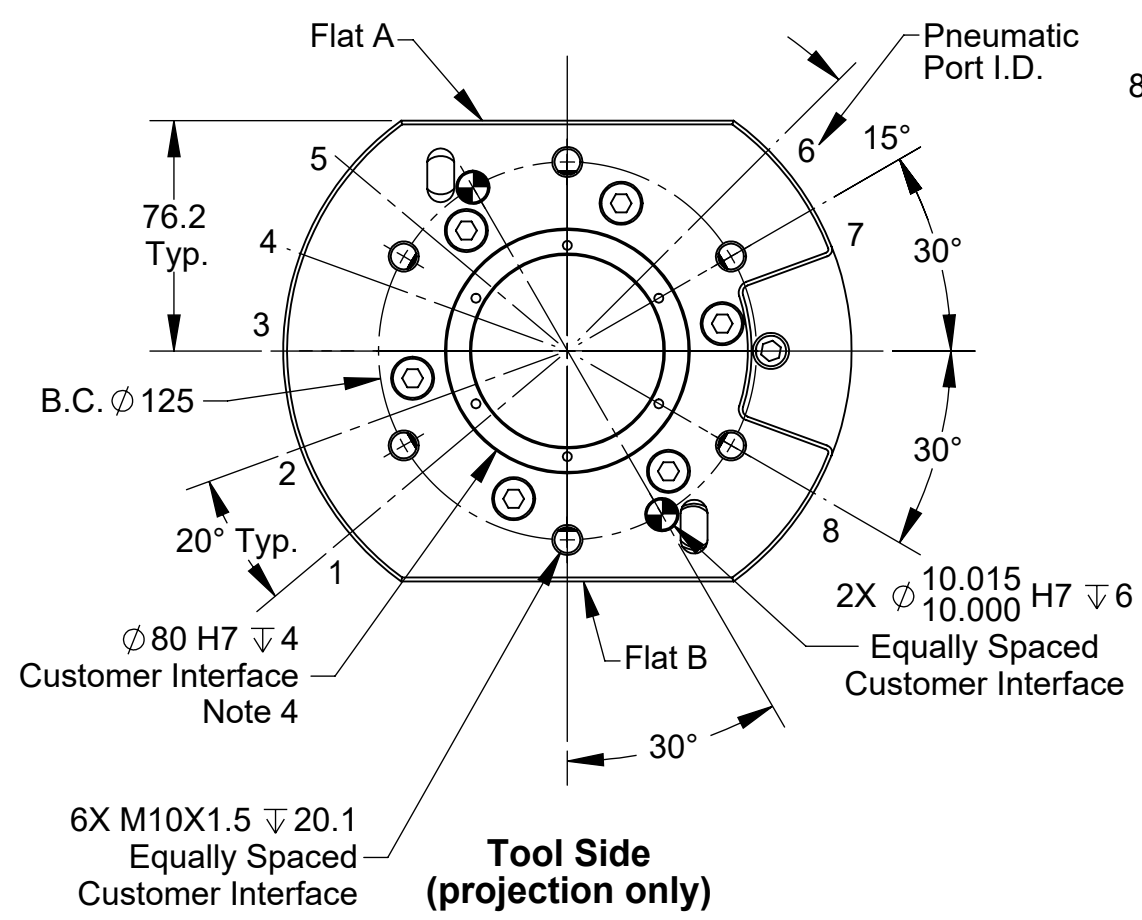
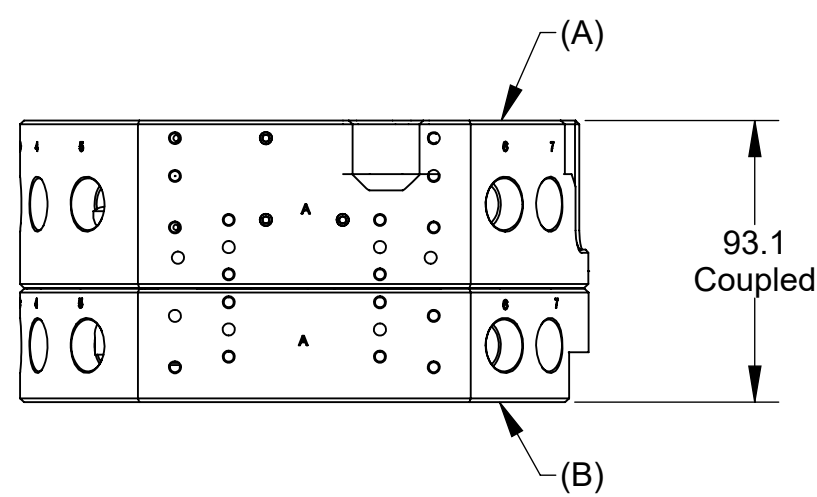


Rev.	Description	Initiator	Date
04	ECO 20228: Sheet 1: Front View: Updated 30.2 Pin to 30 Pin. Sheet 3: 9120-110FT-000-000: Updated views for visual change from 3700-20-1386 to 3700-20-11660.	TBC	9/27/2021

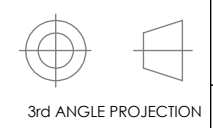


Part Numbers Shown:  
 (A) Master: 9120-110AM-000-000-Sx  
 (B) Tool: 9120-110FT-000-000

- Notes:
- The -Sx in the Master part number indicates the Lock/Unlock sensor option. Multiple sensor options are available.
  - Ready to Lock sensing is available.
  - Center boss inserts available for several sizes.
  - Center recess inserts available for several sizes.

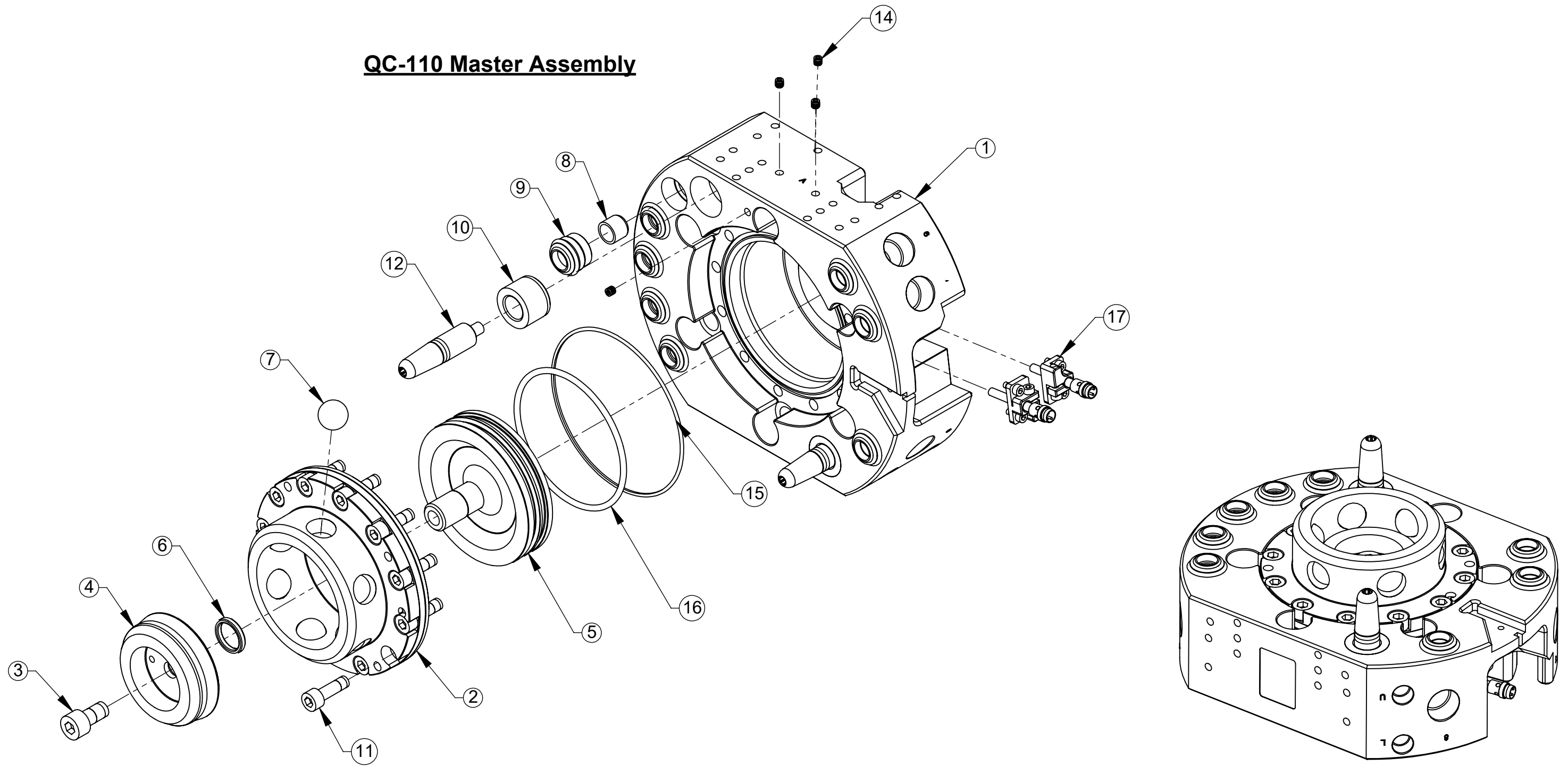
NOTES: UNLESS OTHERWISE SPECIFIED.

DO NOT SCALE DRAWING. ALL DIMENSIONS ARE IN MILLIMETERS.



DRAWN BY: D. Swanson 5/13/09		TITLE	
CHECKED BY: D. Wagner 5/21/09		QC-110 Tool Changer	
PROJECT #	SHEET 1 OF 3	SCALE	REVISION
		1:2.5	04
		SIZE	DRAWING NUMBER
		B	9630-20-110

# QC-110 Master Assembly



NOTES: UNLESS OTHERWISE SPECIFIED.

DO NOT SCALE DRAWING. ALL DIMENSIONS ARE IN MILLIMETERS.



3rd ANGLE PROJECTION



1031 Goodworth Drive, Apex, NC 27539, USA  
 Tel: +1.919.772.0115 www.ati-ia.com  
 Fax: +1.919.772.8259 ISO 9001 Registered Company

PROPERTY OF ATI INDUSTRIAL AUTOMATION, INC. NOT TO BE REPRODUCED IN ANY MANNER EXCEPT ON ORDER OR WITH PRIOR WRITTEN AUTHORIZATION OF ATI.

DRAWN BY: D. Swanson 5/13/09

CHECKED BY: D. Wagner 5/21/09

TITLE

QC-110 Tool Changer

PROJECT #

SHEET 2 OF 3

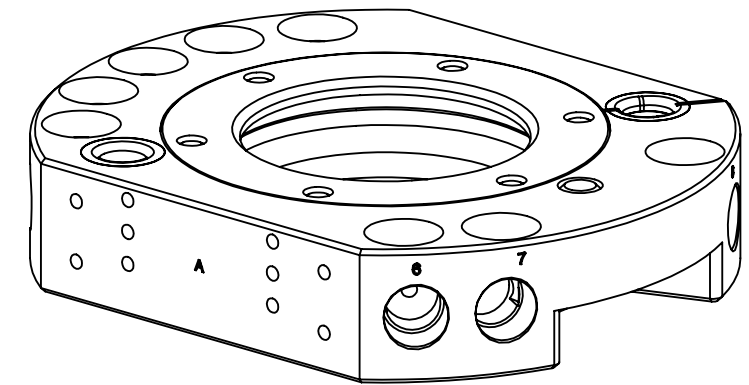
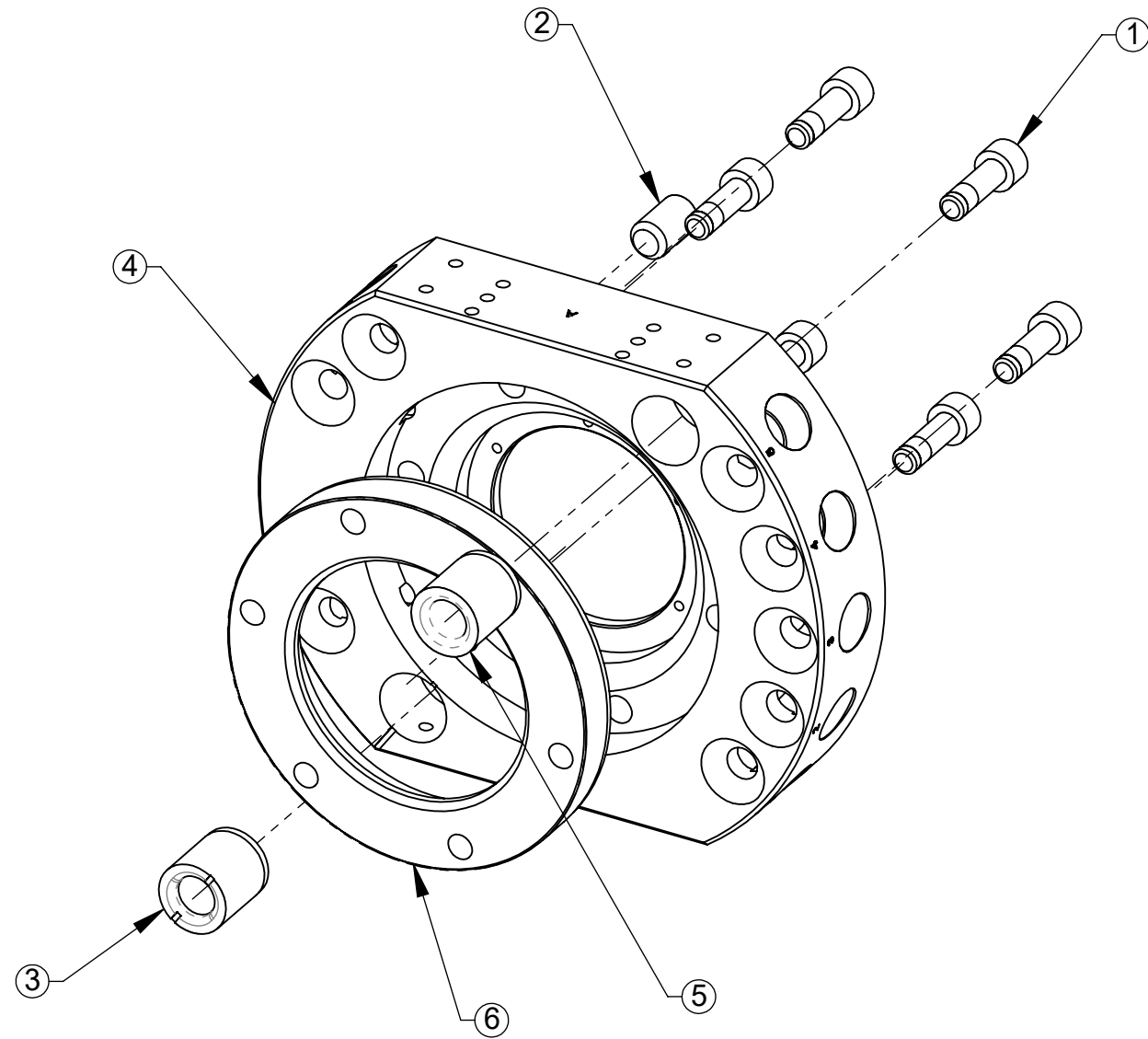
SCALE  
1:2

SIZE  
B

DRAWING NUMBER  
9630-20-110

REVISION  
04

# QC-110 Tool Assembly



NOTES: UNLESS OTHERWISE SPECIFIED.

DO NOT SCALE DRAWING. ALL DIMENSIONS ARE IN MILLIMETERS.



3rd ANGLE PROJECTION



DRAWN BY: D. Swanson 5/13/09

CHECKED BY: D. Wagner 5/21/09

TITLE

QC-110 Tool Changer

PROJECT #

SHEET 3 OF 3

SCALE  
1:2

SIZE  
B

DRAWING NUMBER  
9630-20-110

REVISION  
04