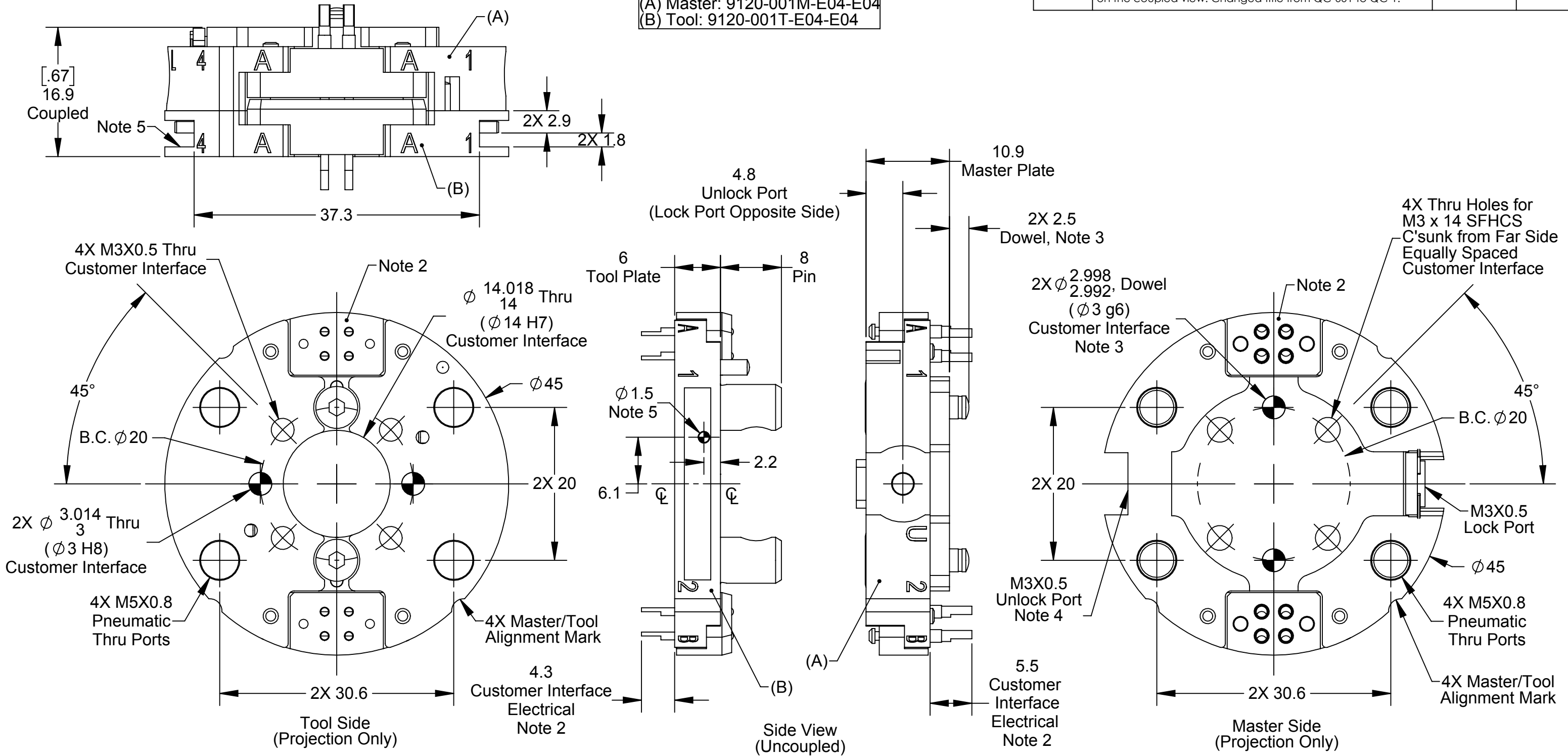


| Rev. | Description  | Initiator | Date     |
|------|--|-----------|----------|
| 05   | Eco 17075; Added Dowel Pin, added "2X" to dims "2.9" and "1.8" on the coupled view. Changed title from QC-001 to QC-1. | LJH       | 8/3/2018 |

Part Numbers:  
 (A) Master: 9120-001M-E04-E04  
 (B) Tool: 9120-001T-E04-E04



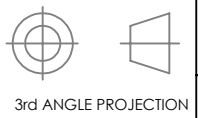
- Notes:
- QC is designed for extremely light payloads.
  - Optional E04 Electrical Modules shown. Total 8 pins @ 3 Amp / 50 VAC. Electrical connections not shown for clarity. Wires attached will require additional clearance.
  - Master Plate includes 2X  $\phi 3$ mm dowel pins. The dowel pins are integral to the mechanical function of the Master Plate and should not be tampered with or damage will occur.
  - Master Plate can be manually set in the Unlock state. Remove fitting and using a  $\phi 2$ mm rod, push the internal Locking Mechanism until Unlock state is achieved.
  - Dowels and grooves serve as an interface for an optional Tool Stand.

NOTES: UNLESS OTHERWISE SPECIFIED.  
 DO NOT SCALE DRAWING. ALL DIMENSIONS ARE IN MILLIMETERS.

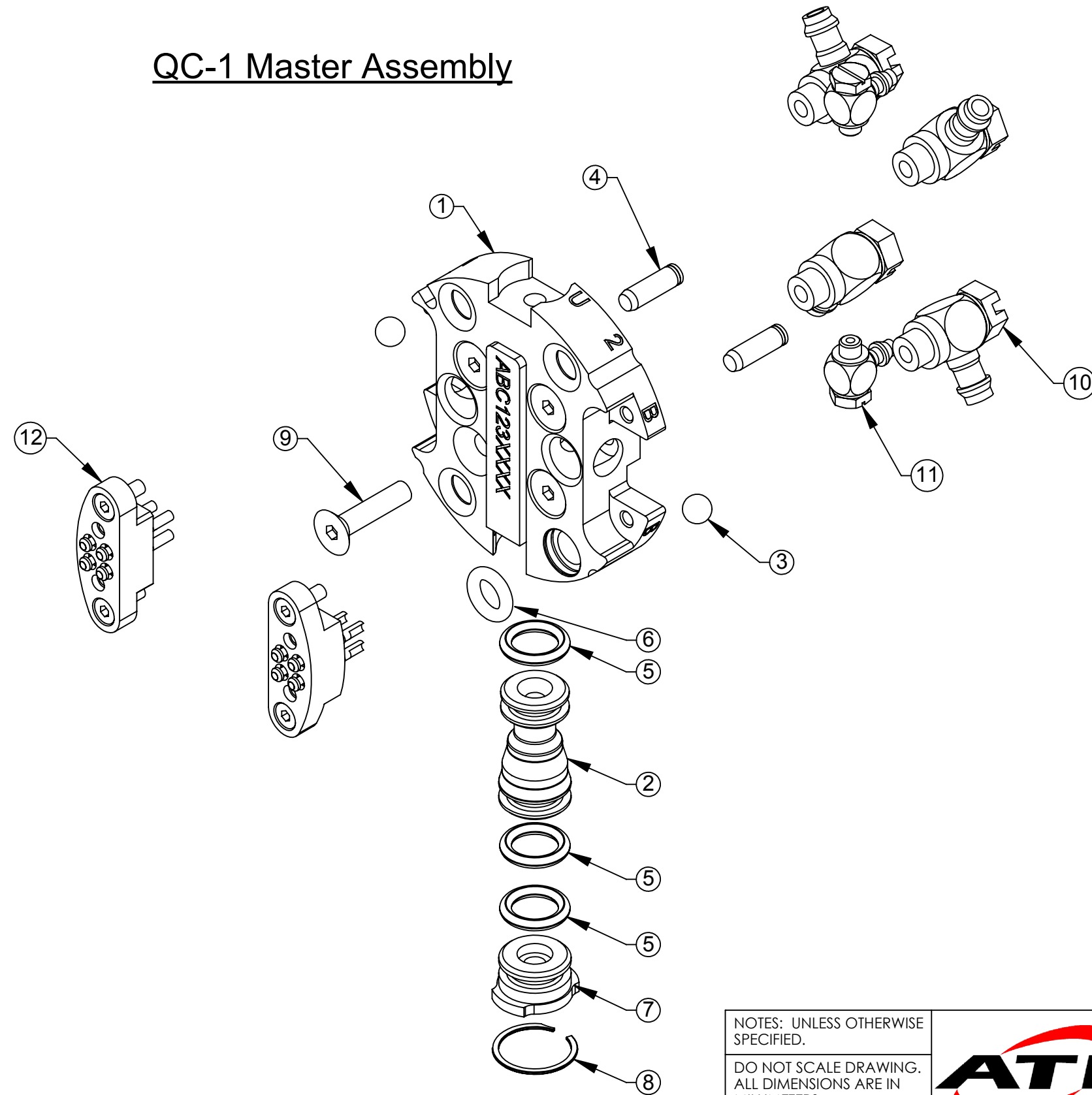


PROPERTY OF ATI INDUSTRIAL AUTOMATION, INC. NOT TO BE REPRODUCED IN ANY MANNER EXCEPT ON ORDER OR WITH PRIOR WRITTEN AUTHORIZATION OF ATI.

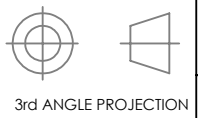
|                                   |              |                                    |             |
|-----------------------------------|--------------|------------------------------------|-------------|
| DRAWN BY: M. Gala, 11/30/2012     |              | TITLE                              |             |
| CHECKED BY: D. Norton, 11/30/2012 |              | QC-1 Tool Changer with E04 Modules |             |
| PROJECT # 110614-2                | SHEET 1 OF 3 | SCALE 2:1                          | SIZE B      |
|                                   |              | DRAWING NUMBER 9630-20-001         | REVISION 05 |



# QC-1 Master Assembly



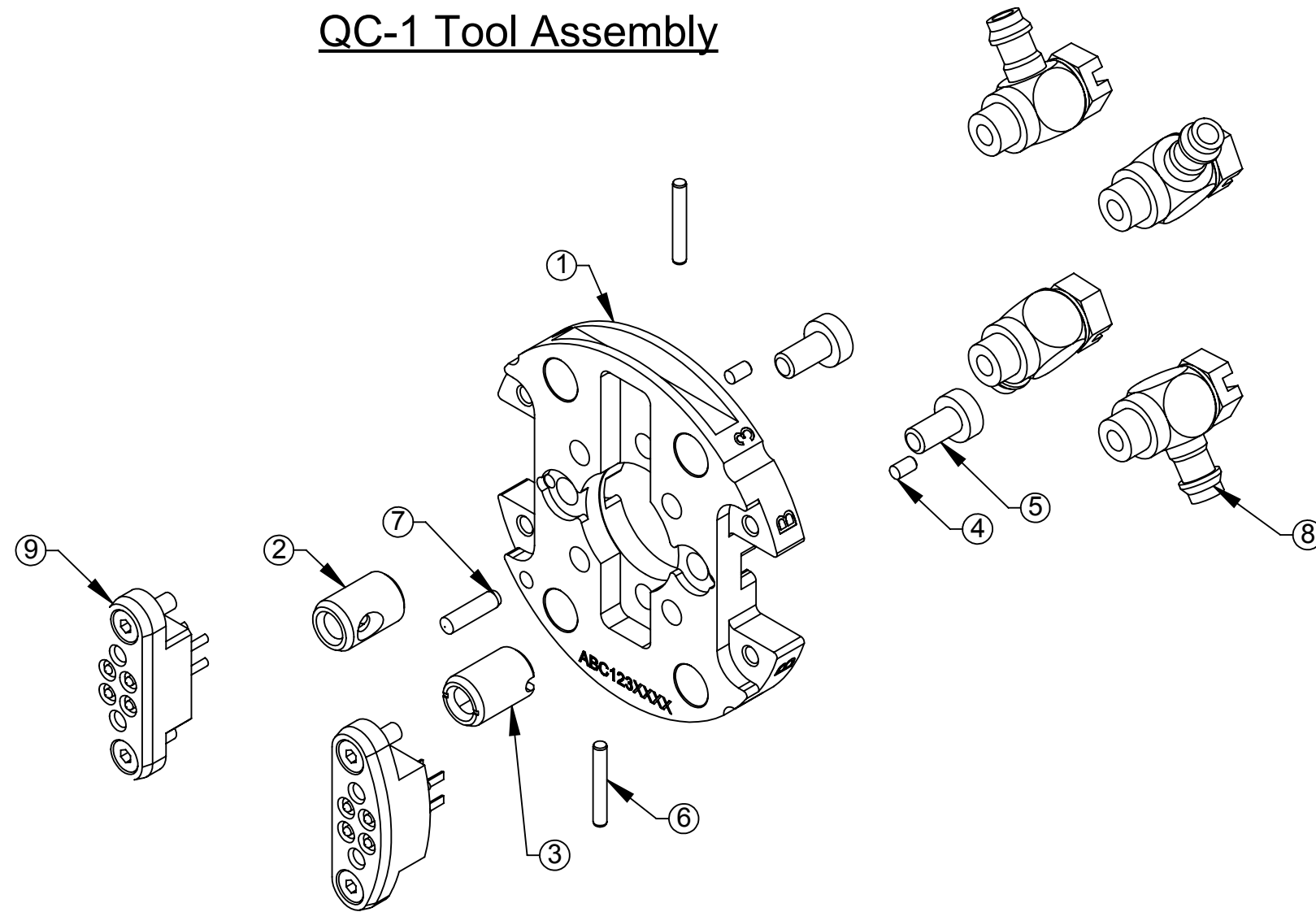
NOTES: UNLESS OTHERWISE SPECIFIED.  
DO NOT SCALE DRAWING. ALL DIMENSIONS ARE IN MILLIMETERS.



PROPERTY OF ATI INDUSTRIAL AUTOMATION, INC. NOT TO BE REPRODUCED IN ANY MANNER EXCEPT ON ORDER OR WITH PRIOR WRITTEN AUTHORIZATION OF ATI.

|                                  |          |                                    |      |                |
|----------------------------------|----------|------------------------------------|------|----------------|
| DRAWN BY: M. Gala, 11/30/2012    |          | TITLE                              |      |                |
| CHECKED BY: D.Norton, 11/30/2012 |          | QC-1 Tool Changer with E04 Modules |      |                |
| PROJECT #                        | 110614-2 | SHEET                              | OF 3 | REVISION       |
| SCALE                            | 1.5:1    | SIZE                               | B    | DRAWING NUMBER |
|                                  |          |                                    |      | 9630-20-001    |
|                                  |          |                                    |      | 05             |

# QC-1 Tool Assembly



NOTES: UNLESS OTHERWISE SPECIFIED.

DO NOT SCALE DRAWING. ALL DIMENSIONS ARE IN MILLIMETERS.



3rd ANGLE PROJECTION



1031 Goodworth Drive, Apex, NC 27539, USA  
 Tel: +1.919.772.0115 Email: info@ati-ia.com  
 Fax: +1.919.772.8259 www.ati-ia.com  
 ISO 9001 Registered Company

PROPERTY OF ATI INDUSTRIAL AUTOMATION, INC. NOT TO BE REPRODUCED IN ANY MANNER EXCEPT ON ORDER OR WITH PRIOR WRITTEN AUTHORIZATION OF ATI.

|                                  |             |                                    |          |
|----------------------------------|-------------|------------------------------------|----------|
| DRAWN BY: M. Gala, 11/30/2012    |             | TITLE                              |          |
| CHECKED BY: D.Norton, 11/30/2012 |             | QC-1 Tool Changer with E04 Modules |          |
| PROJECT #                        | 110614-2    | SHEET                              | 3 OF 3   |
| SCALE                            | 1.5:1       | SIZE                               | B        |
| DRAWING NUMBER                   | 9630-20-001 |                                    | REVISION |
|                                  |             |                                    | 05       |