

VACUUM CUPS



Vacuum Products | Dimensions | Ordering Information

TC/HT Round Traction



Specifications:

Temperature:

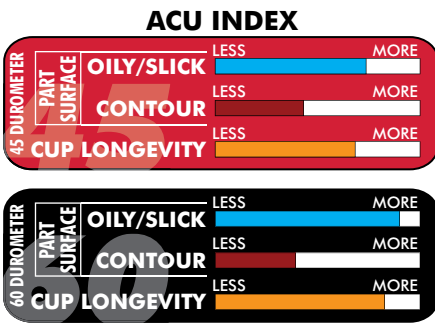
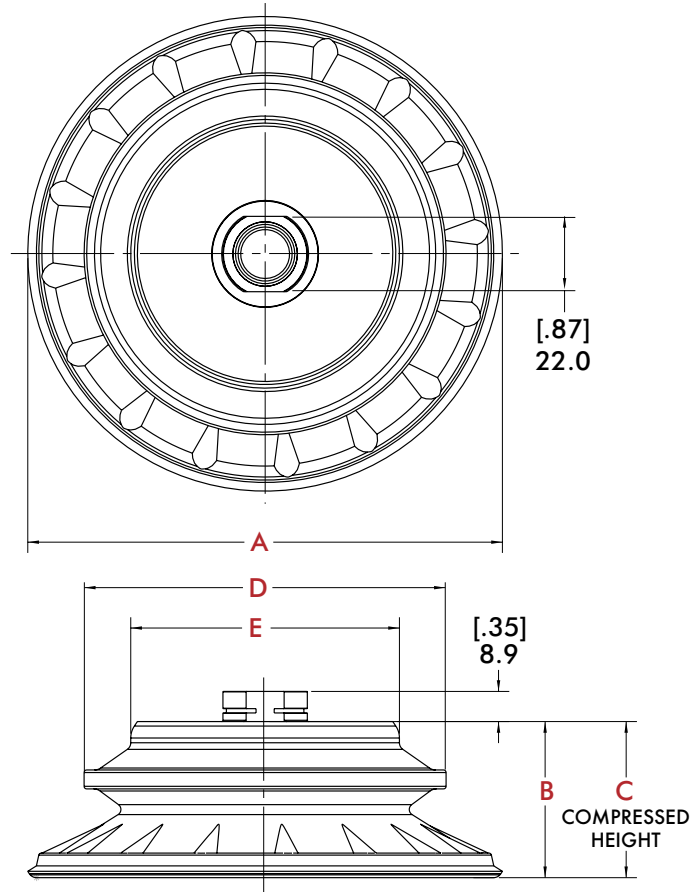
15-59 Sec: -29° to 121° C [-20° to 250° F]

1-5 min: -9° to 82° C [15° to 180° F]

Material: Nitrile

Chemical Resistance:

Oil, water, grease, hydraulic fluid, alcohol



TC/HT Dimensions

Model	A	B	C	D	E	Weight
[20TC]	[2.06]	[1.02]	[.68]	[1.64]	[1.25]	[1.3 oz]
50HT	52.3	25.7	17.3	41.7	31.8	37 g
[35TC]	[3.50]	[1.71]	[.82]	[2.50]	[1.65]	[2.6 oz]
90HT	88.9	43.44	20.8	63.5	41.9	73 g
[45TC]	[4.50]	[1.81]	[.87]	[3.25]	[2.25]	[4.4 oz]
115HT	114.3	46.1	22.1	82.4	57.2	125 g
[55TC]	[5.50]	[1.81]	[.87]	[4.00]	[3.04]	[7.2 oz]
140HT	139.7	46.1	22.1	101.4	77.1	204 g

Dimensions shown "mm [inch]"

TC/HT Holding Capacity

Appl.	Hor. Dry	Hor. Wet	Ver. Lift
[20TC]	[8.5 lb]	[7 lb]	[22.7 lb]
50HT	3.9 kg	3.2 kg	10.3 kg
[35TC]	[30 lb]	[20 lb]	[66 lb]
90HT	13.6 kg	9.1 kg	29.9 kg
[45TC]	[45 lb]	[30 lb]	[103 lb]
115HT	20.4 kg	13.6 kg	46.7 kg
[55TC]	[100 lb]	[45 lb]	[164 lb]
140HT	45.5 kg	20.4 kg	74.4 kg

Holding capacities shown "N [lbf]"

TC/HT Round Traction Ordering Information

Imperial

- Ø2.00" CPI-20TC-(M)-(DR)
- Ø3.50" CPI-35TC-(M)-(DR)
- Ø4.50" CPI-45TC-(M)-(DR)
- Ø5.50" CPI-55TC-(M)-(DR)

..(M) = Mounts Available..



..(DR) = Durometer..



Metric

- Ø50mm CPI-50HT-(M)-(DR)
- Ø90mm CPI-90HT-(M)-(DR)
- Ø115mm CPI-115HT-(M)-(DR)
- Ø140mm CPI-140HT-(M)-(DR)

..(M) = Mounts Available..



..(DR) = Durometer..

