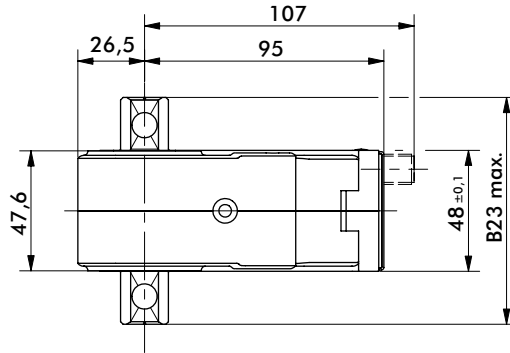


82M-3/TCC-2, 50MM

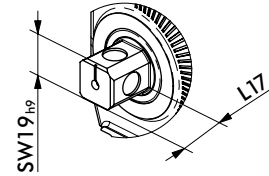


Enclosed Pneumatic Power Clamps | Heavy-Duty Modular | Dimensions

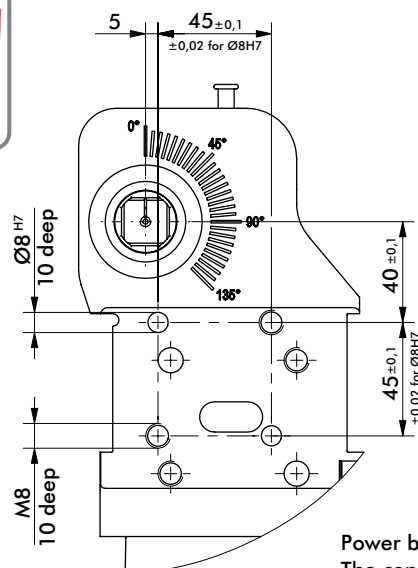
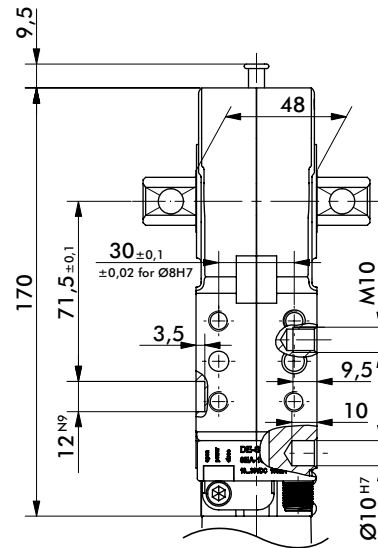
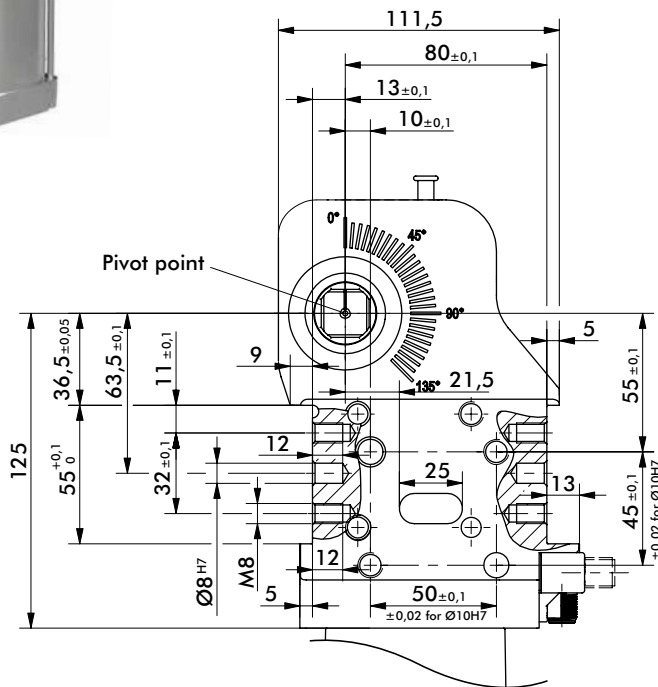
82M-3E/TCC-2E...5.



Dimensions of the driven shaft



| Model | B23 Max. | L17 |
|-------------------------|-------------|-----|
| 82M-3E03/TCC-2E03..5... | 72 | 12 |
| 82M-3E23/TCC-2E23..5... | 90 | 21 |

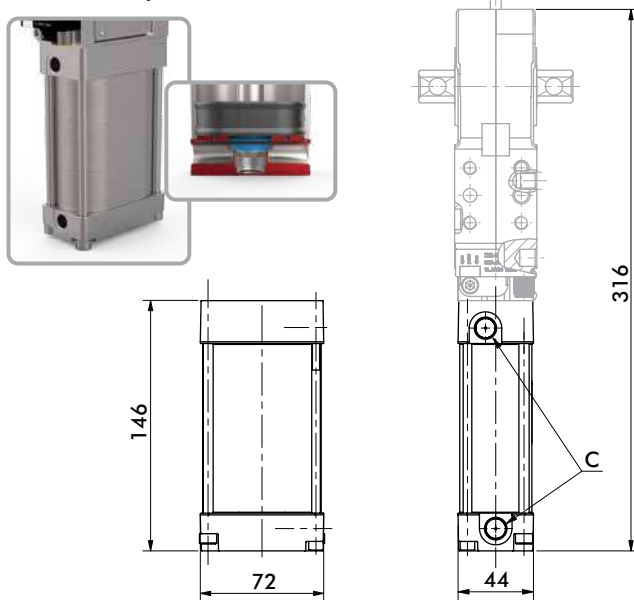


mm [INCH]
THIRD ANGLE PROJECTION

Power by compressed air, max. 6 bar operation with oil-free air is permissible.
The connector socket and the cable are not supplied with the unit.
Safe "holding/clamping" only under pressurization (for TCC models only).

82M-3E/TCC-2E...50/5N

Standard Cylinder



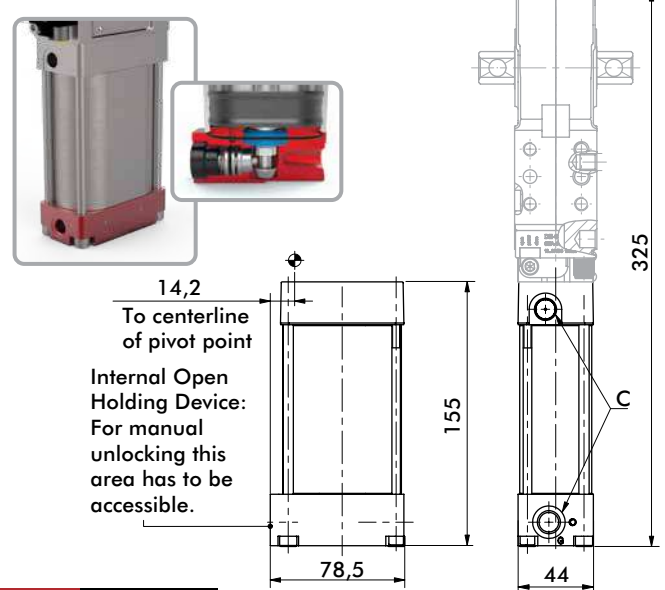
| Ports | C |
|-------|------------|
| 50 | G1/4 |
| 5N | 1/4-18 NPT |

Important! For optimal cushioning, external pneumatic one-way flow control valves should be used.

82M-3E/TCC-2E...5A/5B

Cylinder with Internal Hold Open Device

Securely holds clamp in the open position.



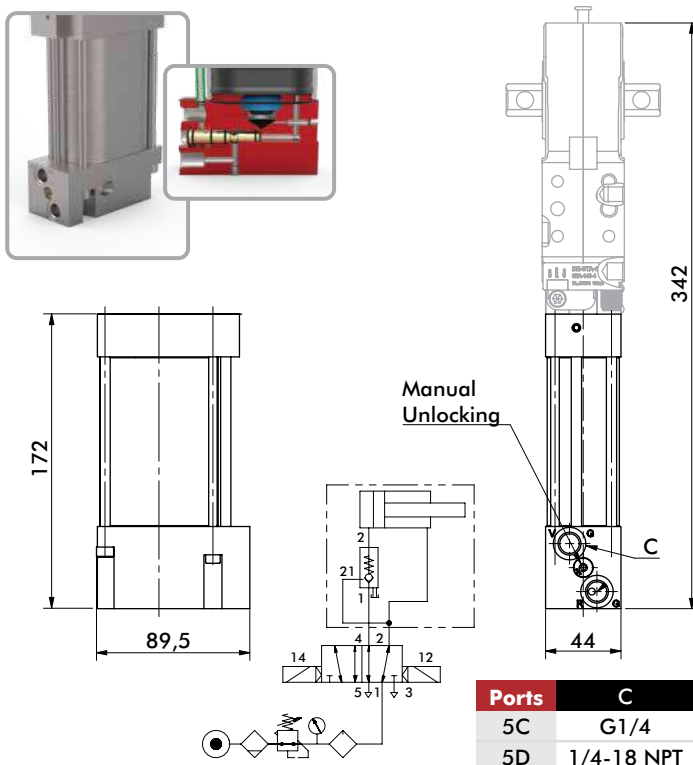
| Ports | C |
|-------|------------|
| 5A | G1/4 |
| 5B | 1/4-18 NPT |

Important! For optimal cushioning, external pneumatic one-way flow control valves should be used.

TCC-2E...5C/5D

Cylinder with Unlock-able Return Valve

Pneumatically holds clamp arm in the closed position when air is released.

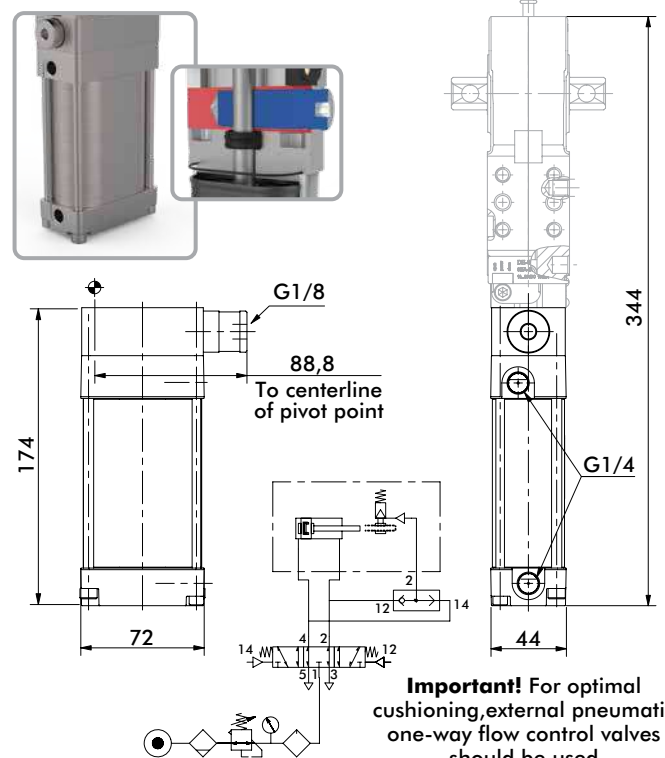


| Ports | C |
|-------|------------|
| 5C | G1/4 |
| 5D | 1/4-18 NPT |

TCC-2E...5V

Cylinder with Rod Locking Device

Uses friction to clamp rod at any point between open and closed positions.



Important! For optimal cushioning, external pneumatic one-way flow control valves should be used.