

Pneumatic Power Clamps | Miniature | Ordering Information

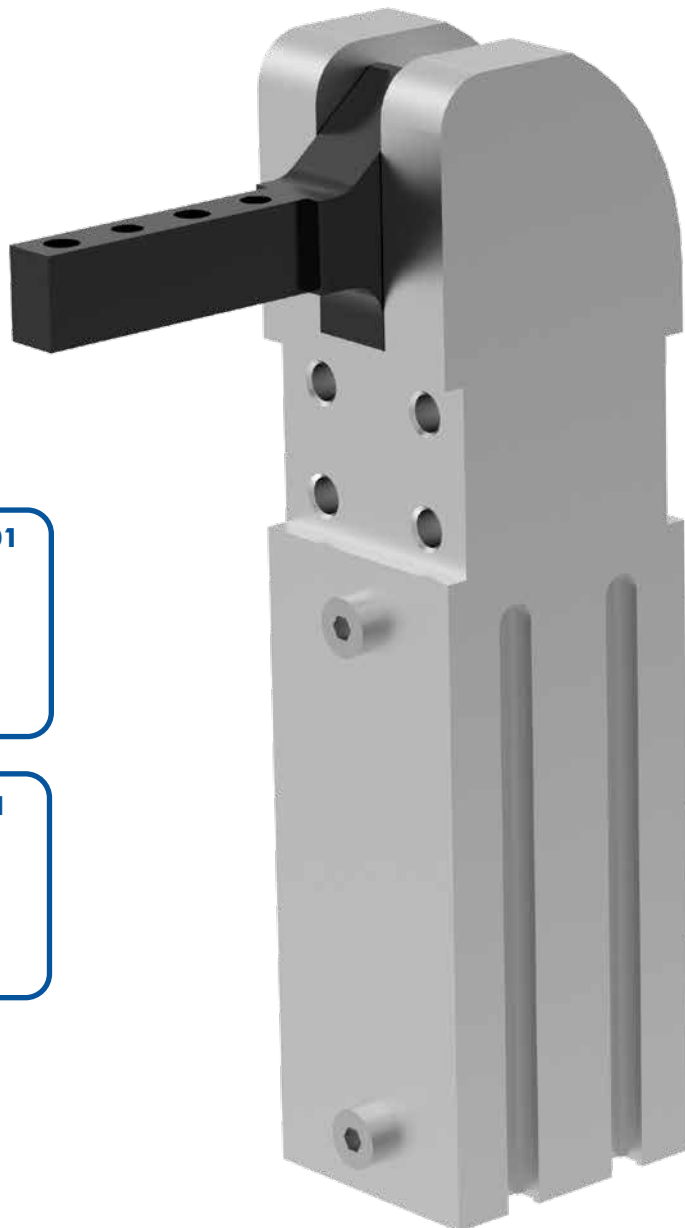
81L **12-1** **01** **00**

Size	Description
12-1	12 mm Cylinder (M5 Port)
16-1	16 mm Cylinder (M5 Port)
20-1	20 mm Cylinder (M5 Port)
25-1	20 mm Cylinder (M5 Port)

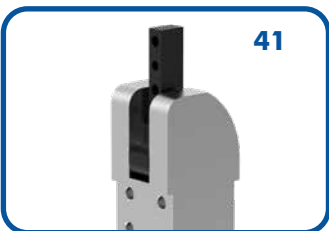
Arm Style	Description
01	Clamping arm, horizontal
41	Clamping arm, vertical

See below for further details

Design	Description
00	Standard design



Arm Style



Accessories

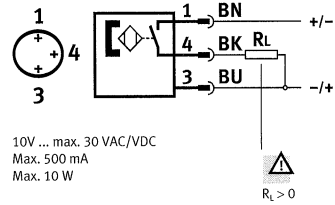
8EA-109-1

82ZB-004-1

Description (order separately)

Sensor, 3-wire cable, M8x1 connector, 3-pin

Adapter for mounting 81L20-1, 81L25-1 to 25mm dia. bar



12

Max Holding Torque
25 Nm [18.4 ft-lb]
Max Clamping Torque
4,5 Nm [3.3 ft-lb]
at 5 bar [72 psi]

16

Max Holding Torque
60 Nm [44.3 ft-lb]
Max Clamping Torque
7 Nm [5.2 ft-lb]
at 5 bar [72 psi]

20

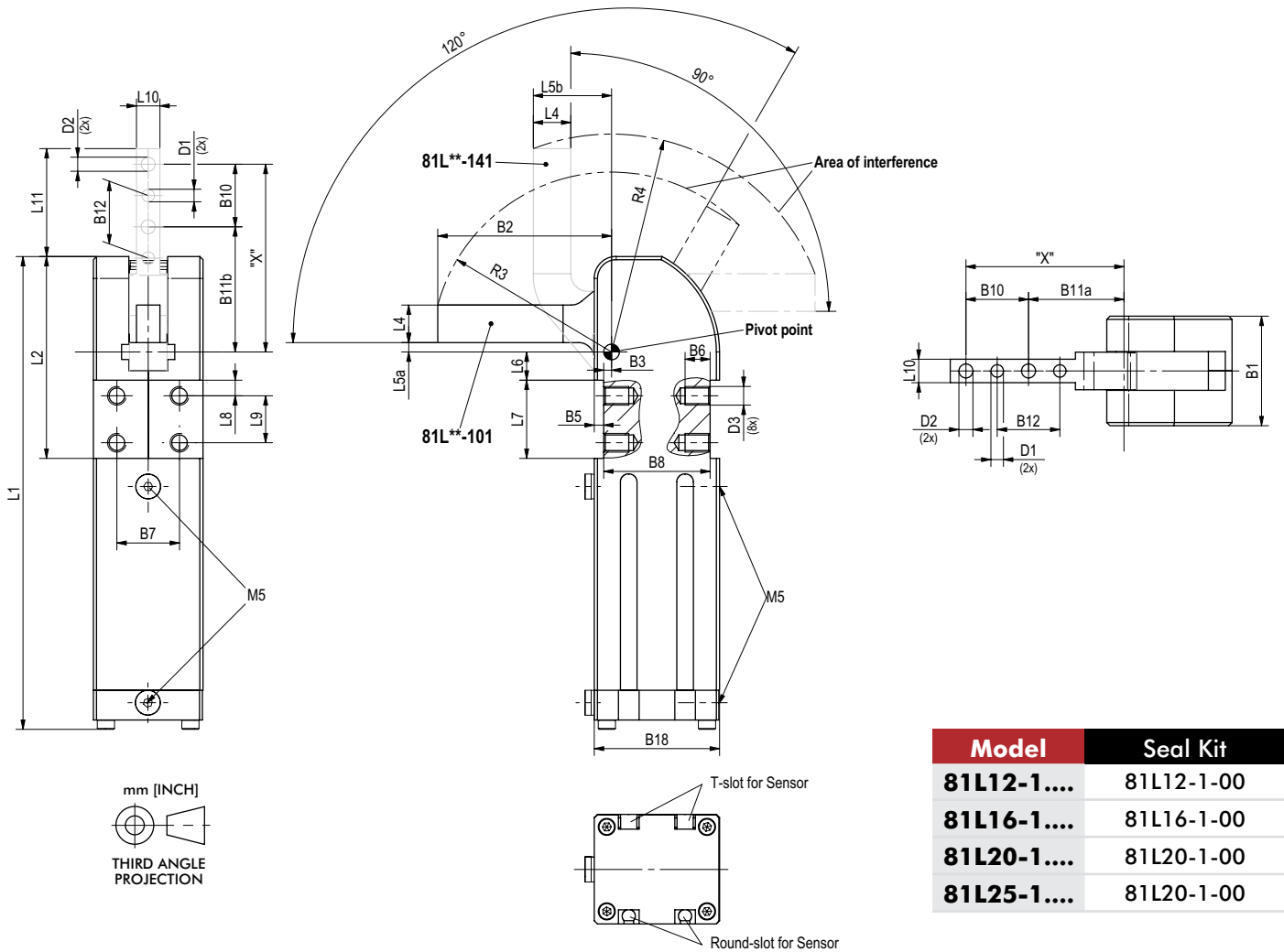
Max Holding Torque
100 Nm [73.8 ft-lb]
Max Clamping Torque
18 Nm [13.3 ft-lb]
at 5 bar [72 psi]

25

Max Holding Torque
100 Nm [73.8 ft-lb]
Max Clamping Torque
18 Nm [13.3 ft-lb]
at 5 bar [72 psi]

81L

Pneumatic Power Clamps | Miniature | Dimensions and Seal Kits



mm [INCH]
THIRD ANGLE PROJECTION

Power by compressed air, max. 6 bar Operation with oil-free air is permissible.

Model	D1 Ø [H7]	D2 Ø	D3 Ø	B1	B2	B3 ±0,1	B5 ±0,2	B6	B7 ±0,1	B8 ±0,1	B10 ±0,2	B11α	B11b	B12
81L12-1....	[0.12] 3	[0.13] 3,3	M4	[0.94] 24	[1.57] 40	[0.10] 2,5	[0.06] 1,5	[0.24] 6	[0.59] 15	[0.98] 25	[0.35] 9	[1.06] 27	[1.24] 31,5	[0.35] 9
81L16-1....	[0.12] 3	[0.17] 4,3	M5	[1.12] 30	[1.97] 50	[0.08] 2	[0.08] 2	[0.19] 5	[0.79] 20	[1.02] 26	[0.59] 15	[1.18] 30	[1.56] 39,5	[0.59] 15
81L20-1....	[0.16] 4	[0.18] 4,5	M6	[1.38] 35	[2.12] 55,5	[0.10] 2,5	[0.12] 3	[0.28] 7	[0.79] 20	[1.34] 34	[0.79] 20	[1.20] 30,5	[1.57] 40	[0.79] 20
81L25-1....	[0.16] 4	[0.26] 6,5	M6	[1.38] 35	[2.58] 65,5	[0.10] 2,5	[0.12] 3	[0.28] 7	[0.79] 20	[1.34] 34	[0.79] 20	[1.59] 40,5	[1.97] 50	[0.79] 20

Model	B18	L1 ~	L2	L4	L5α	L5b	L6	L7 ±0,1	L8	L9	L10	L11	R3 ~	R4 ~
81L12-1....	[1.10] 28	[4.09] 104	[1.59] 40,5	[0.28] 7	[0.10] 2,5	[0.7] 17,5	[0.18] 4,5	[0.59] 15	[0.12] 3	[0.35] 9	[0.24] 6	[0.93] 23,5	[1.61] 41	[1.89] 48
81L16-1....	[1.18] 30	[4.69] 119	[1.95] 49,5	[0.35] 9	0.09 2,25	[0.8] 20,5	[0.23] 5,75	[0.79] 20	[0.16] 4	[0.47] 12	[0.31] 8	[1.41] 35,75	[2.00] 51	[2.48] 63
81L20-1....	[1.57] 40	[5.94] 151	[2.54] 64,5	[0.47] 12	[0.12] 3	[0.98] 25	[0.35] 9	[0.98] 25	[0.19] 5	[0.59] 15	[0.29] 7,5	[1.36] 34,5	[2.26] 57,5	[2.75] 70
81L25-1....	[1.57] 40	[5.94] 151	[2.54] 64,5	[0.47] 12	[0.12] 3	[0.98] 25	[0.35] 9	[0.98] 25	[0.19] 5	[0.59] 15	[0.47] 12	[1.75] 44,5	[2.64] 67	[3.11] 79

Pneumatic Power Clamps | Miniature | Technical Specifications

Model	Max. Holding Torque Nm [lb ft]	Max. Clamping Torque at 5 bar [72 psi] Nm [lb ft]	Weight kg [lb]	Air Consumption per double stroke at 5 bar [72 psi] dm³ [ft³]	Max. Added Load (at Position, "X") g [oz]
81L12-101..	25 [18.4]	4,5 [3.3]	0,16 [0.4]	0,25 [0.01]	50 [1.8]
81L12-141..	20 [14.8]	4,5 [3.3]	0,17 [0.4]	0,25 [0.01]	50 [1.8]
81L16-101..	60 [44]	6,5 [4.8]	0,25 [0.6]	0,27 [0.01]	80 [2.8]
81L16-141..	40 [29.5]	7,0 [5.23]	0,27 [0.6]	0,26 [0.01]	80 [2.8]
81L20-101..	100 [73.8]	18 [13.3]	0,50 [1.1]	0,40 [0.02]	90 [3.2]
81L20-141..	80 [59]	17 [12.5]	0,52 [1.2]	0,35 [0.01]	90 [3.2]
81L25-101..	100 [73.8]	18 [13.3]	0,52 [1.2]	0,40 [0.02]	100 [3.5]
81L25-141..	80 [59]	17 [12.5]	0,54 [1.25]	0,35 [0.01]	100 [3.5]