

# 810 SERIES



## Pneumatic Toggle Clamps | Product Overview

### Features:

- Pneumatic version of Series 210 manual clamps
- Sensor ready for round or T-slot style sensors
- Built-in flow restriction eliminates need for external flow controls

### Applications:

- Assembly
- Welding

### Also Available:

See page MC-ACC-1 for spindle accessories  
See page MC-PSC-40 for sensing options

810-U  
810-UE



810-S  
810-SE



## Technical Information | Holding Capacities

Model	Maximum Holding Capacity		Maximum Exerting Force @ 5bar [72PSI]		Weight	Bore Size	Air Consumption dm <sup>3</sup> [ft <sup>3</sup> ]	Port Size	Accessories (Supplied)		
	Inner	Outer	Inner	Outer					Spindle Accessory	Flanged Washers	Bolt Retainer
810-U	[600 lbf]	[290 lbf]	[856 lbf]					1/8 NPT	--		
810-UE	2670 N	1290 N	3834 N	[407 lbf]	[4.07lb]	[1.57]	[0.029]	G-1/8	240208-M	235106	--
810-S	[750 lbf]	[500 lbf]	[702 lbf]					1/8 NPT	--	--	210114
810 -SE	3340 N	2220 N	3143 N	1823 N	1,85kg	40	0,83	G-1/8	--	--	

†Per double stroke at 5bar [72PSI]

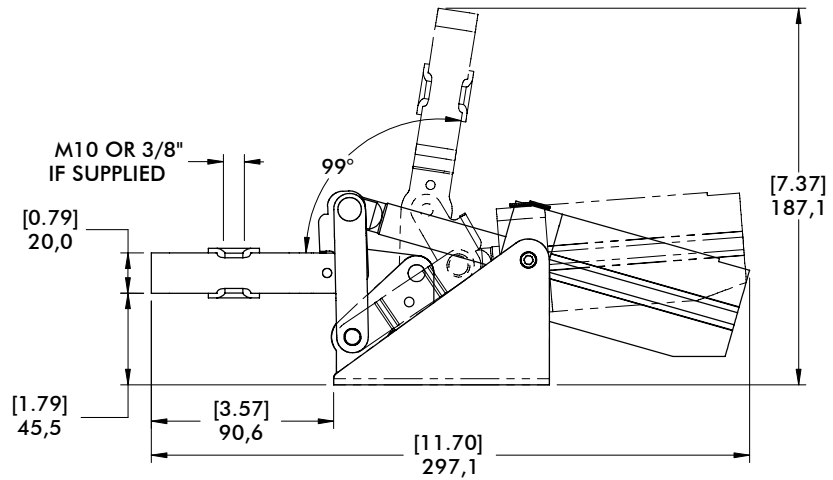
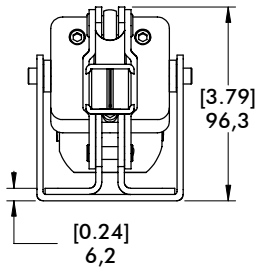
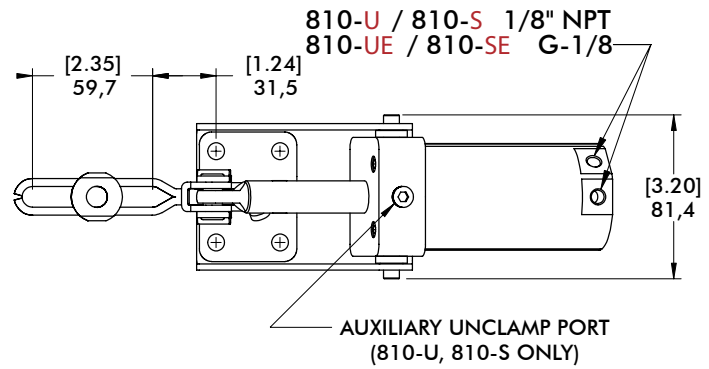
Max Cylinder Pressure: 10bar [145psig]\*  
 Max Operating Temp: -10°C to 90°C [-14°F to 194°F]  
 Replacement Seal Kit: 810450-40-1-00  
 Replacement Clamp Assembly: 810-U-LC, 810-S-LC  
 Replacement Cylinder Assembly: 810CYL

\*In no case should the inlet pressure be high enough to create an exerting force that exceeds the clamp's holding capacity.

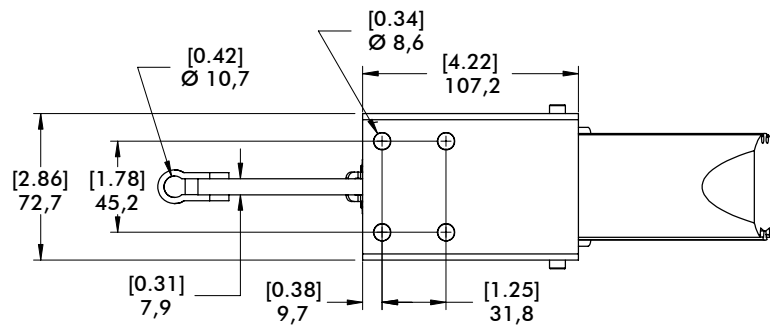
Sensor Accessories	Item Number
Round Reed Switch with Quick Disconnect	810169
T-slot Reed Switch with Quick Disconnect	8EA-109-1
Quick Disconnect 2M Extension Cable	CABL-010
Quick Disconnect 5M Extension Cable	CABL-013

See Pneumatic Accessories section for more options

**810-U**  
**810-UE**



**810-S**  
**810-SE**



mm [INCH]  
THIRD ANGLE PROJECTION

