

807 SERIES



Pneumatic Toggle Clamps | Product Overview

Features:

- Pneumatic version of Series 207 manual clamps
- Sensor ready for round or T-slot sensors.
- Built-in flow restriction eliminates need for external flow controls

Applications:

- Assembly
- Welding

Also Available:

See page MC-ACC-1 for spindle accessories

See page MC-PSC-38 for sensing options

High temperature version available upon request, add **-HT** to model number. Example: 807-U-**HT**

807-U
807-UE



807-S
807-SE



Technical Information | Holding Capacities

Model	Maximum Holding Capacity		Maximum Exerting Force @ 5 bar [72 PSI]		Weight	Bore Size	Air Consumption† dm ³ [ft ³]	Port Size	Accessories (Supplied)		
	Inner	Outer	Inner	Outer					Spindle Accessory	Flanged Washers	Bolt Retainer
807-U	[375 lbf]	[275 lbf]	[576 lbf]	[297 lbf]	[1.66 lbs] 0,75 kg	[1.26] 32	[0.015] 0,42	1/8 NPT	--	507107	--
807-UE	1670 N	1220 N	2573 N	1327 N				G-1/8	2007208-M		
807-S	[500 lbf]	[260 lbf]	[540 lbf]	[180 lbf]	[1.66 lbs] 0,75 kg	[1.26] 32	[0.015] 0,42	1/8 NPT	--	--	207105
807-SE	2220 N	1160 N	2412 N	804 N				G-1/8			

†Per double stroke at 5 bar [72 PSI]

Max Cylinder Pressure: 10bar [145psig]*

Max Operating Temp: -10°C to 90°C [-14°F to 194°F]

Replacement Seal Kit: 802450-32-1-00

Replacement Clamp Assembly: 807-U-LC, 807-S-LC

Replacement Cylinder Assembly: 807CYL

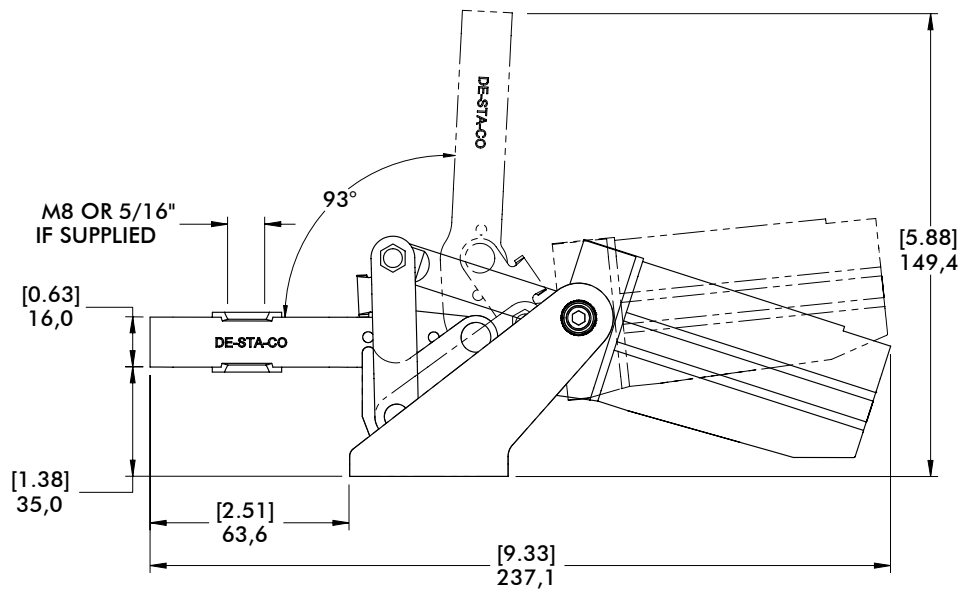
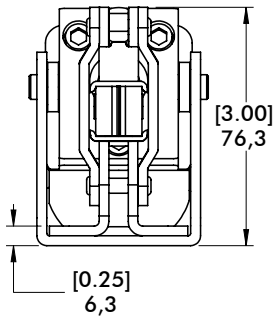
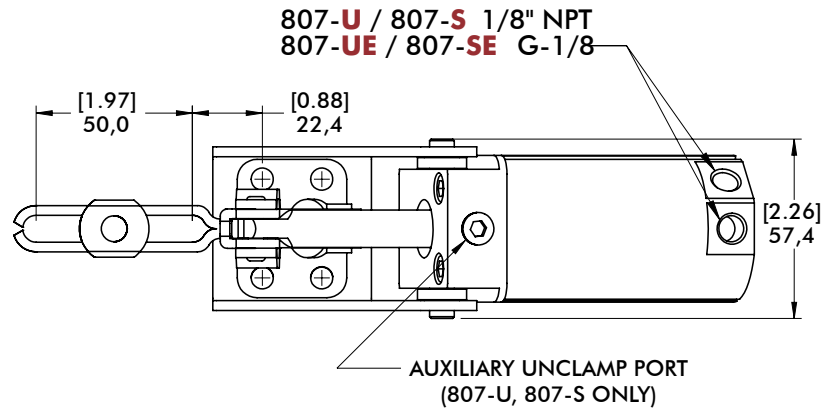
*In no case should the inlet pressure be high enough to create an exerting force that exceeds the clamp's holding capacity. See Technical Appendix for details.

Sensor Accessories

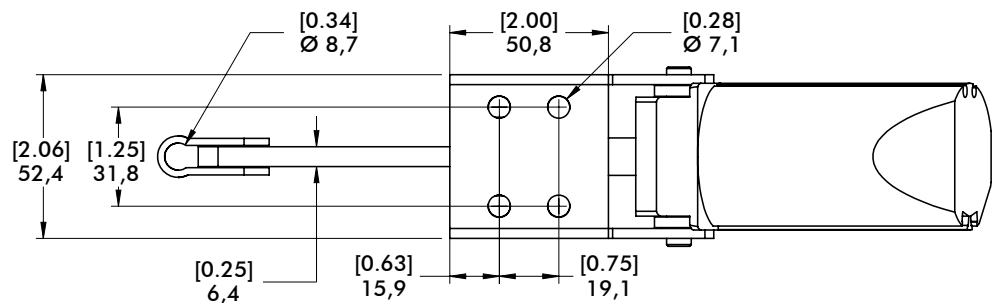
	Item Number
Round Reed Switch with Quick Disconnect	810169
T-slot Reed Switch with Quick Disconnect	8EA-109-1
Quick Disconnect 2M Extension Cable	CABL-010
Quick Disconnect 5M Extension Cable	CABL-013

See Pneumatic Accessories section for more options

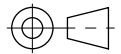
807-U
807-UE



807-S
807-SE



mm [INCH]



THIRD ANGLE PROJECTION