

802 SERIES



Pneumatic Toggle Clamps | Product Overview

Features:

- Pneumatic version of Model 202-U
- Sensor ready for T-slot or round sensors

Applications:

- Assembly
- Welding

Also Available:

See page MC-ACC-1 for spindle accessories

See page MC-PSC-40 for sensing options

High temperature version available upon request, add **-HT** to model number. Example: 802-U-**HT**

802-U
802-UE



Technical Information | Holding Capacities

| Model | Maximum Holding Capacity | | Max. Exerting Force @ 5bar [72PSI] | | Weight | Bore Size | Air Consumption [†] dm ³ [ft ³] | Port Size | Accessories (Supplied) | |
|--------|--------------------------|-----------|------------------------------------|-----------|----------|-----------|-----------------------------------------------------------------|-----------|------------------------|-----------------|
| | Inner | Outer | Inner | Outer | | | | | Spindle Accessory | Flanged Washers |
| 802-U | [200 lbf] | [110 lbf] | [450 lbf] | [234 lbf] | [1.60lb] | [1.26] | [0.012] | 1/8 NPT | 202208-M | 215105 |
| 802-UE | 890 N | 490 N | 2010 N | 1045 N | 0,73kg | 32 | 0,34 | G-1/8 | | |

[†]Per double stroke at 5bar [72PSI]

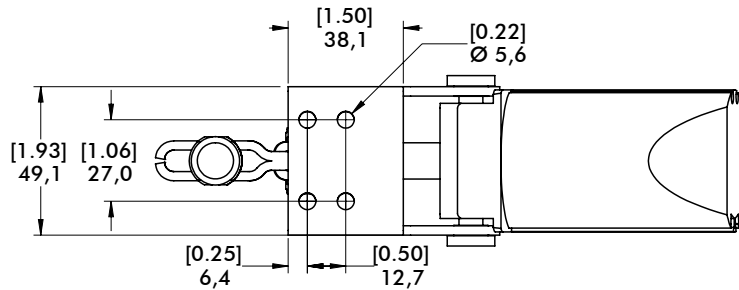
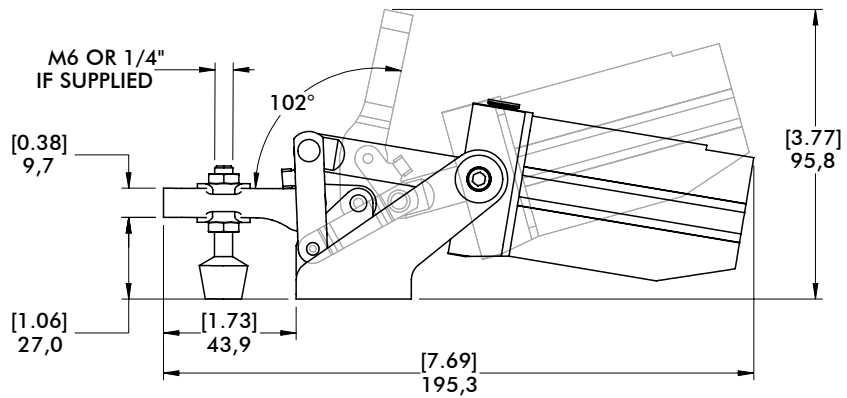
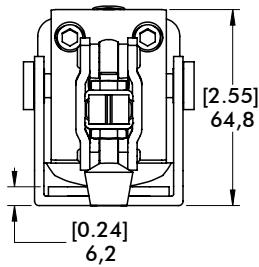
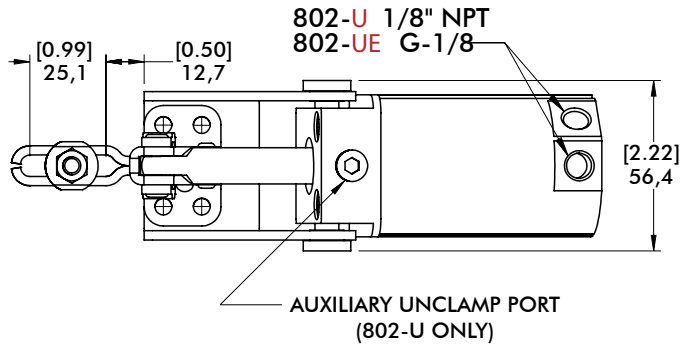
Max Cylinder Pressure: 10bar [145psig]*
 Max Operating Temp: -10°C to 90°C [-14°F to 194°F]
 Replacement Seal Kit: 802450-32-1-00
 Replacement Clamp Assembly: 802-U-LC
 Replacement Cylinder Assembly: 802CYL

*In no case should the inlet pressure be high enough to create an exerting force that exceeds the clamp's holding capacity. See Technical Appendix for details.

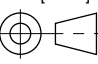
| Sensor Accessories | Item Number |
|------------------------------------------|-------------|
| Round Reed Switch with Quick Disconnect | 810169 |
| T-slot Reed Switch with Quick Disconnect | 8EA-109-1 |
| Quick Disconnect 2M Extension Cable | CABL-010 |
| Quick Disconnect 5M Extension Cable | CABL-013 |

See Pneumatic Accessories section for more options

802-U
802-UE



mm [INCH]



THIRD ANGLE PROJECTION