

Features:

- For push/pull clamping
- Allow handle to rotate and fall below mounting plane to lock in retracted position
- Available in stainless steel
- Available with DESTACO® Toggle Lock Plus™
- 5 handle colors - see page MC-PRO-7 for details

Applications:

- Assembly & test
- Welding
- Tensioning devices

Also Available:

See page MC-ACC-1 for accessories
830, 830-ME Pneumatic Toggle Clamp
(See page MC-PTC-25)

630
630-M



630-SS
630-MSS
Stainless Steel



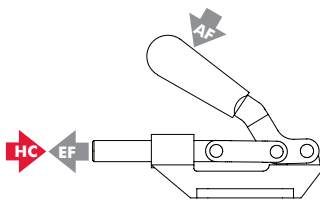
630-R
630-MR
with DESTACO®
Toggle Lock
Plus™



630-RSS
630-MRSS
Stainless Steel
with DESTACO®
Toggle Lock
Plus™



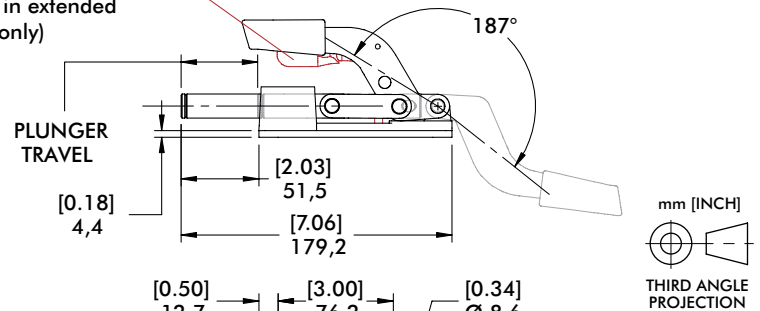
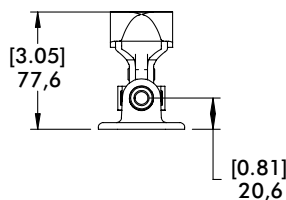
Technical Information | Holding Capacities | Dimensions



Model	Max. Holding Capacity	Weight	EF:AF (pushing/pulling)	Plunger Travel	(M) Plunger Thread	Recommended Spindle (Not Supplied)
630					3/8-16	210203
630-SS						237943
630-M					M10	210203-M
630-MSS	[2500 lbf] 11100 N	[1.90 lb] 0,89 kg	36:1/23:1	[2.00] 50,8		237943-M
630-R					3/8-16	210203
630-RSS						237943
630-MR					M10	210203-M
630-MRSS						237943-M

HC = Holding Capacity, EF = Exerting Force, AF = Applied Force

DESTACO® TOGGLE LOCK PLUS™ OPTION
(Engages in extended position only)



mm [INCH]
THIRD ANGLE PROJECTION



Color Handles

Available on models in this series.* Add -Y, -G, -B, -K to end of model number.

*Excludes Toggle Lock Plus levers or dipped handles.

630, 630-R, 630-MR

630-M

