

5130, 5131, 5133 SERIES



Heavy-Duty Straight Line Action Clamps | Product Overview

Features:

- Reverse action allows the handle to stay out of the work zone
- Hardened steel pivot pins and bushings provide long life
- Black oxide finish with hardened plungers
- DESTACO® Toggle Lock Plus™ versions available

Applications:

- Welding fixtures
- Assembly fixtures
- Light machining

5130/-M
5131/-M
5133/-M
Flanged Base



5130-B/-MB
5131-B/-MB
5133-B/-MB
Solid Base



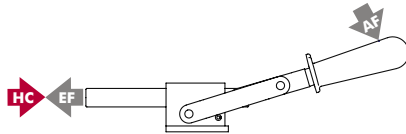
5130-R/-MR
5131-R/-MR
5133-R/-MR
Flanged Base
with DESTACO®
Toggle Lock Plus™



5130-BR①/-MBR①
5131-BR①/-MBR①
5133-BR①/-MBR①
Solid Base
with DESTACO®
Toggle Lock Plus™



Technical Information



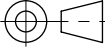
Model	Max. Holding Capacity	Weight	EF:AF (pushing)	Plunger Travel mm[in.]	Handle Opening	Plunger Thread (M)	Recommended Spindle (not supplied)
5131	[2500lbf.] 11120N	[1.12lbs] 0,51 kg	40:1	[1.00] 25,4	113°	5/16-18	461203
5131-M						M8	461203-M
5131-B		[0.85lbs] 0,39 kg				5/16-18	461203
5131-MB						M8	461203-M
5131-R		[1.15lbs] 0,52 kg				5/16-18	461203
5131-MR						M8	461203-M
5131-BR①		[0.88lbs] 0,40 kg				5/16-18	461203
5131-MBR①		M8	461203-M				
5130	[5800lbf.] 25800N	[2.87lbs] 1,30 kg	40:1	[1.75] 44,5	125°	1/2-13	325203
5130-M						M12	220203-M
5130-B		[2.40lbs] 1,09 kg				1/2-13	325203
5130-MB						M12	220203-M
5130-R		[3.03lbs] 1,37 kg				1/2-13	325203
5130-MR						M12	220203-M
5130-BR①		[2.56lbs] 1,16 kg				1/2-13	325203
5130-MBR①		M12	220203-M				
5133	[4600lbf.] 20460N	[3.12lbs] 1,41 kg	40:1	[3.18] 80,7	139°	1/2-13	325203
5133-M						M12	220203-M
5133-B		[2.65lbs] 1,20 kg				1/2-13	325203
5133-MB						M12	220203-M
5133-R		[3.36lbs] 1,52 kg				1/2-13	325203
5133-MR						M12	220203-M
5133-BR①		[2.89lbs] 1,31 kg				1/2-13	325203
5133-MBR①		M12	220203-M				

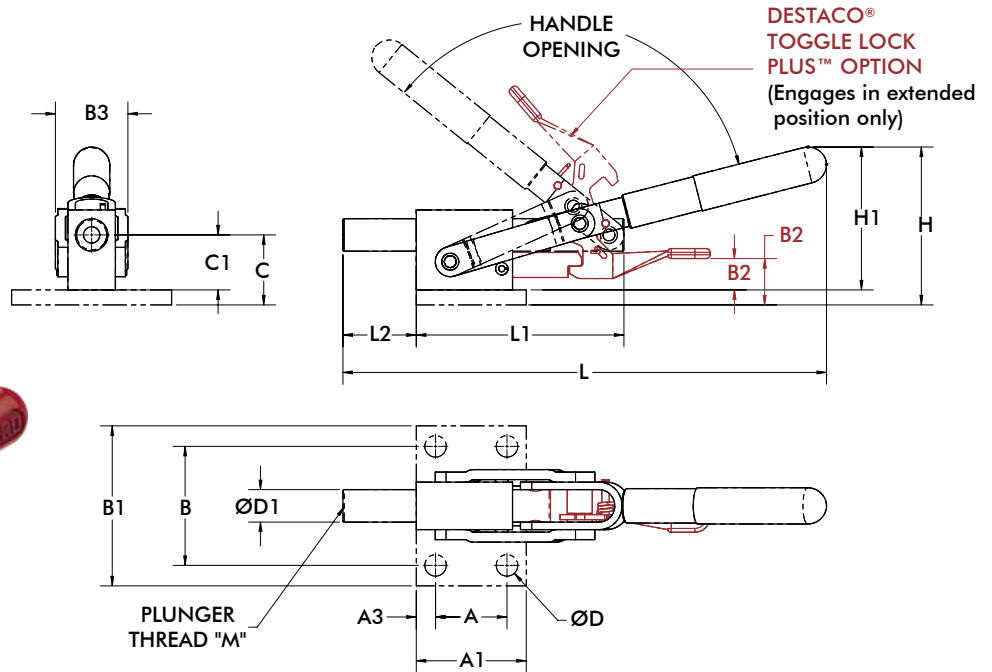
① This item is available upon request HC = Holding Capacity, EF = Exerting Force, AF = Applied Force



+52 722 828 4332

store.cesehsa.com

mm [INCH]

 THIRD ANGLE
 PROJECTION



Model	A	A1	A3	B	B1	B2	B3	C	D	D1	H	L	L1	L2
5131						-								
5131-M	28.6	44	7.7	47.6	64	-	29	28	8.6	13	63.1	193.4	83	29.3
5131-R	[1.13]	[1.73]	[0.30]	[1.87]	[2.52]	18.5	[1.14]	[1.10]	[0.34]	[0.51]	[2.49]	[7.61]	[3.27]	[1.15]
5131-MR						[0.73]								
5130						-								
5130-M	44.5	64	9.8	58.7	76	-	40	35	10.5	19	92.3	283	132	49.7
5130-R	[1.75]	[2.52]	[0.38]	[2.31]	[2.99]	27.2	[1.57]	[1.38]	[0.41]	[0.75]	[3.63]	[11.14]	[5.20]	[1.96]
5130-MR						[1.07]								
5133						-								
5133-M	44.5	64	9.8	58.7	76	-	39	35	10.5	19	97.5	331.4	167	82.2
5133-R	[1.75]	[2.52]	[0.38]	[2.31]	[2.99]	31.4	[1.54]	[1.38]	[0.41]	[0.75]	[3.84]	[13.05]	[6.58]	[3.24]
5133-MR						[1.24]								

Model	B2	B3	C1	D1	H1
5131-B	-				
5131-MB	-	29	22	13	57.1
5131-BR ⓘ	12.4	[1.14]	[0.87]	[0.51]	[2.25]
5131-MBR ⓘ	[0.49]				
5130-B	-				
5130-MB	-	40	29	19	86.3
5130-BR ⓘ	21.2	[1.57]	[1.14]	[0.75]	[3.40]
5130-MBR ⓘ	[0.84]				
5133-B	-				
5133-MB	-	39	29	19	91.5
5133-BR ⓘ	25.4	[1.54]	[1.14]	[0.75]	[3.60]
5133-MBR ⓘ	[1.00]				

ⓘ This item is available upon request