

424, 441 SERIES



Squeeze Action Plier Clamps | Product Overview

Features:

- Compact clamps with forged alloy steel construction for high strength
- Versions ending with (-2) are supplied with two adjustable spindles

Applications:

- Welding
- Assembly

Also Available:

See page MC-ACC-1 for accessories

424



424-2

With Two Adjustable Spindles



441



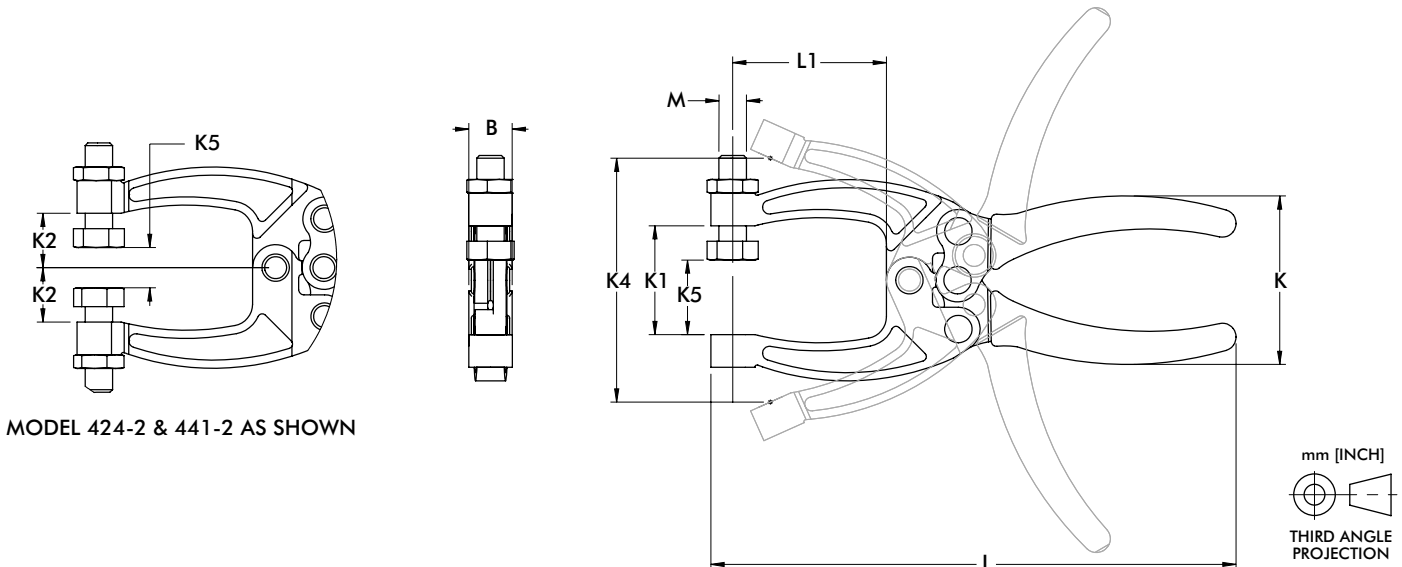
441-2

With Two Adjustable Spindles



Technical Information | Holding Capacities | Dimensions

Model	Max. Holding Capacity	Weight	(K5) Maximum Clamping Thickness	Spindle (Supplied)
424	[200 lbf] 900 N	[0.31 lbs] 0,14 kg	16 [0.63]	424208-M
424-2			7,4 [0.29]	(2X) 431208-M
441	[350 lbf] 1560 N	[0.63 lbs] 0,29 kg	23,3 [1.03]	441203-M
441-2			20,8 [0.82]	(2X) 461203-M



Model	B	K	K1	K2	K4	L	L1	M
424	[0.50] 12.8	[1.91] 48.5	[1.00] 25.4	[0.50] 12.7	[2.06] 52.3	[4.63] 117.6	[1.08] 27.4	M6
441	[0.50] 12.7	[2.07] 52.5	[1.25] 31.8	[0.63] 15.9	[2.80] 71.2	[6.03] 153.1	[1.77] 44.9	M8