

375 SERIES



Pull Action Latch Clamps | Dimensions

Features:

- Heavy duty U-hook style latch clamps are supplied with threaded U-hooks for easy adjustment
- Supplied patented thumb control lever for one handed operation
- DESTACO® Toggle Lock Plus™ versions available

Applications:

- Molding
- Closures for doors, lids, covers
- Assembly

Also Available:

- Clamps with longer hooks available Upon Request that are 25mm, 50mm, 100mm longer than standard length
- To order clamp with longer hook, add **-M-25**, **-M-50**, or **-M-100** to the end of the model. Example: 375-**M-50**

Covered under one or more U.S./International Patents

375



375-R
with DESTACO®
Toggle Lock
Plus™



375-B

Weld-on
Mounting



375-BR ⓘ

Weld-on
Mounting
with DESTACO®
Toggle Lock
Plus™



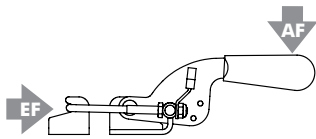
375509
Cleat



385102
Optional
Latch Plate
for 375 and
375-R

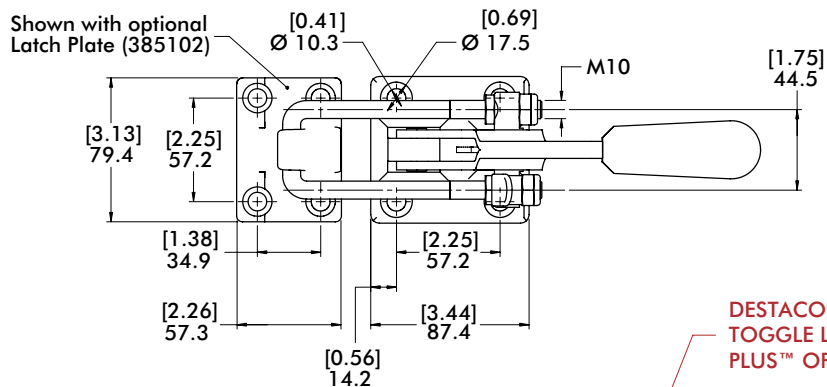
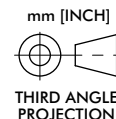
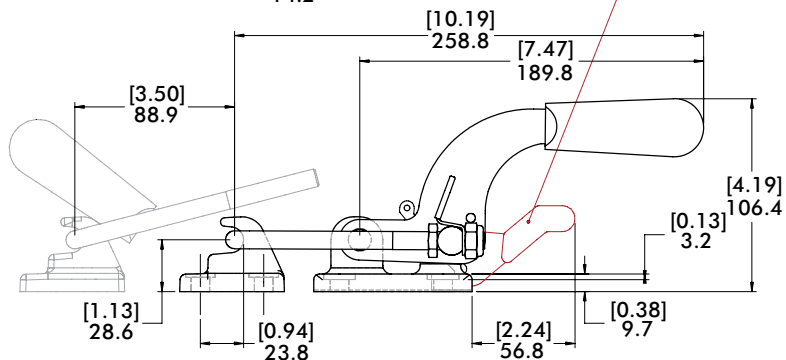
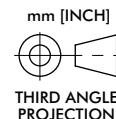
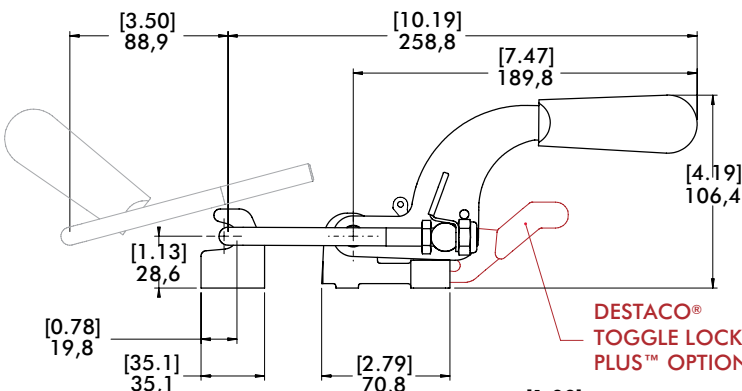
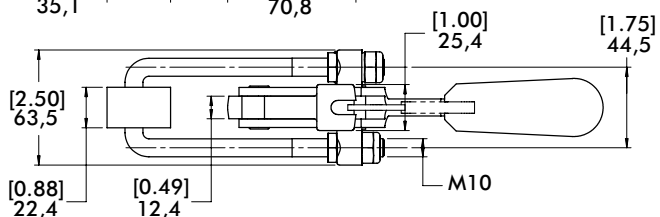


Technical Information | Holding Capacities



| Model | Max. Holding Capacity | Weight | EF:AF | Drawing Movement | Latch Plate | Replacement Hook Assembly | Hook Adj. Range |
|----------|-----------------------|--------------------|-------|------------------|-------------------------------|---------------------------|-----------------|
| 375 | [4000 lbf] 17800 N | [2.94lb] 1,33kg | 44:1 | 88,9 [3.50] | 385102 (Optional) | 375215 | [0.81] 20,5 |
| 375-R | | [3.0lb] 1,36kg | | | | | |
| 375-B | | [2.56lb] 1,16kg | | | 375509 (Cleat Supplied) | | |
| 375-BR ⓘ | | [2.62lb] 1,19kg | | | | | |

ⓘ This item is available upon request. **EF** = Exerting Force, **AF** = Applied Force

375

375-R
with DESTACO®
Toggle Lock
Plus™

375-B
Weld-on
Mounting

375-BR 
Weld-on
Mounting
with DESTACO®
Toggle Lock
Plus™


| Replacement Hook Assembly | A | B | C | M |
|---------------------------|------------|-------------|-------------|------------|
| 375215 | [5.72] 145 | 50,8 [2.00] | [1.75] 44,5 | M10 x 1.50 |

Hook assembly includes (2) jam nuts and (2) locknuts. Longer hook lengths available Upon Request. 375215-M-25, 375215-M-50, 375215-M-100

| Replacement Thumb Control Lever | Used on Clamp Model |
|---------------------------------|-----------------------------|
| 375-ZB1 | 375, 375-B 375-R, 375-BR |

