

Features:

- U-hook style latch clamps supplied with threaded U-hooks for easy adjustment
- Supplied with latch plate (except 374) and patented thumb control lever for one handed operation.
- DESTACO® Toggle Lock Plus™ versions available
- Stainless steel available as **-SS** models.

Covered under one or more U.S./International Patents

Applications:

- Molding
- Closures for doors, lids, covers
- Assembly

Also Available:

- Clamps with longer hooks available Upon Request that are 25mm, 50mm, 100mm longer than standard length
- To order clamp with longer hook, add **-M-25**, **-M-50**, or **-M-100** to the end of the model. Example: 324-**M-50**

324
324-SS



324-R
324-RSS
with DESTACO®
Toggle Lock
Plus™



334
334-SS



334-R
334-RSS
with DESTACO®
Toggle Lock
Plus™



344
344-SS



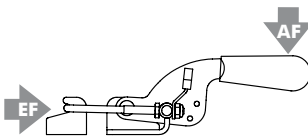
344-R
344-RSS
with DESTACO®
Toggle Lock
Plus™



374



Technical Information | Holding Capacities



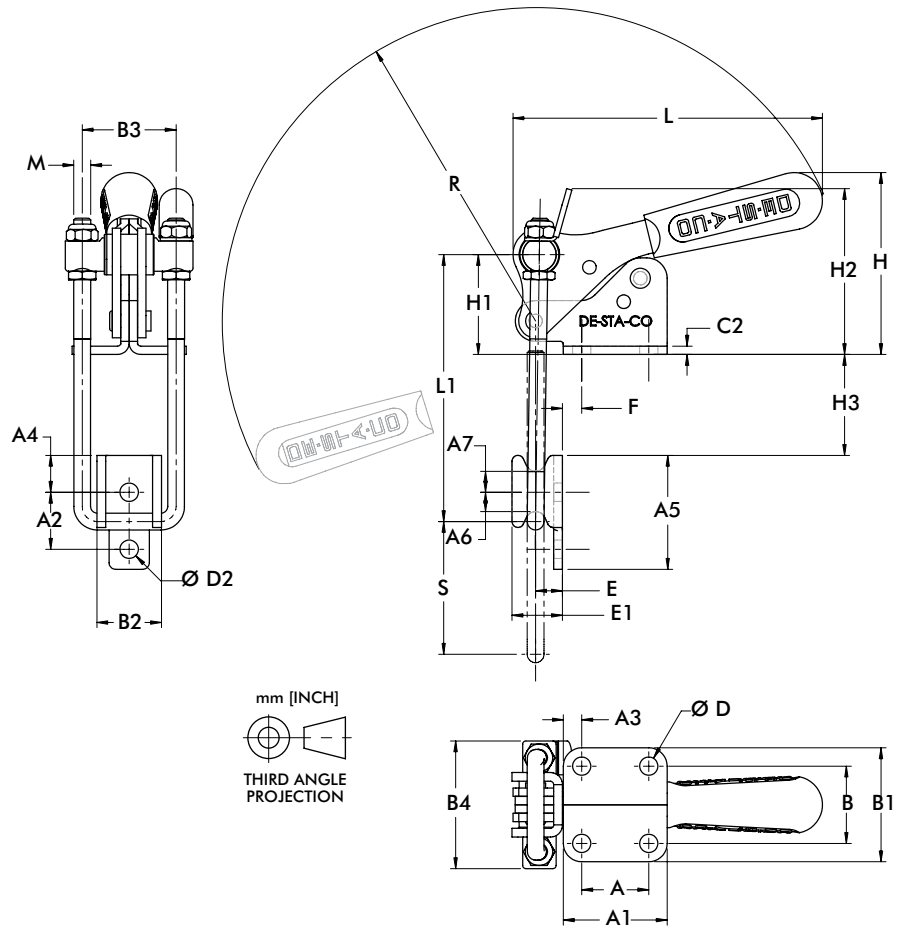
Model	Max. Holding Capacity	Weight	EF:AF	(S) Drawing Movement	Latch Plate (Supplied)	Replacement Hook Assembly	Hook Adj. Range
324					324101	324215	
324-SS	[500 lbf] 2200 N	[0.25lb] 0,11kg		38,7 [1.53]	324901	324915	11.9 [0.47]
324-R			31:1		324101	324215	
324-RSS					324901	324915	
334					334101	334215	
334-SS	[1000 lbf] 4450 N	[0.60lb] 0,27kg		51,7 [2.04]	334901	334915	19.3 [0.76]
334-R					334101	334215	
334-RSS					334901	334915	
344					344101	344215	
344-SS	[2000 lbf] 8900 N	[1.50lb] 0,68kg	45:1	62,4 [2.46]	344901	344915	31 [1.22]
344-R					344101	344215	
344-RSS					344901	344915	
374	[4000 lbf] 17800 N	[2.10lb] 0,95kg	36:1	44,5 [1.75]	None*	374215	53.8 [2.12]

EF = Exerting Force, AF = Applied Force *375509 Latch Plate may be used as an alternate.

Dimensions and technical information are subject to change without notice

324, 334, 344, 374 SERIES

Pull Action Latch Clamps | Dimensions | -SS

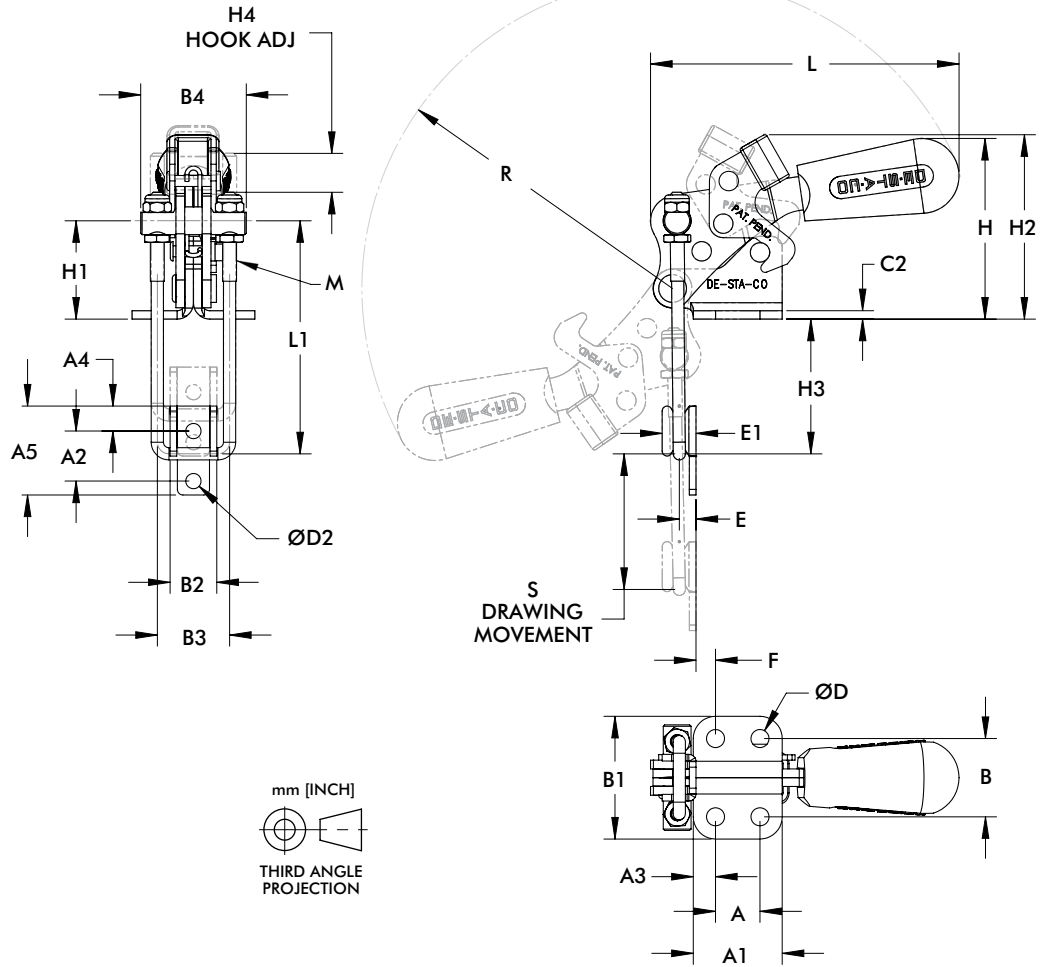


Model	A	A1	A2	A3	A4	A5	A6	A7	B	B1	B2	B3	B4	C2
324	[0.50]	[1.00]	[0.56]	[0.25]	[0.28]	[1.00]	[0.19]	[0.19]	[0.88]	[1.38]	[0.53]	[0.81]	[1.19]	[0.09]
324-SS	12,7	25,4	14,2	6,4	7,1	25,4	4,8	4,8	22,4	35,1	13,5	20,7	30,2	2,4
334	[0.75]	[1.31]	[0.81]	[0.28]	[0.41]	[1.50]	[0.28]	[0.28]	[1.00]	[1.56]	[0.68]	[1.13]	[1.63]	[0.12]
334-SS	19,1	33,3	20,6	7,1	10,4	38,1	7,1	7,1	25,4	39,6	17,4	28,7	41,4	3,1
344		[1.94]	[1.06]	[0.35]	[0.69]	[2.13]	[0.36]	[0.39]	[1.44]	[2.12]	[1.20]		[2.38]	[0.16]
344-SS	[1.25]	49,3	27	8,0	17,5	54	9,1	9,9	36,6	53,8	30,6	[1.75]	60,5	4
374	31,8	[2.43]	--	[0.68]	--	--	--	--	[1.50]	[2.50]	--	44,5	[2.36]	[0.37]
		61,7		17,3					38,1	63,5			60	9,4

Model	ØD	ØD2	F	H	H1	H2	H3	E	E1	L	L1 MAX	R	M	S
324	[0.20]	[0.17]	[0.25]	[1.91]	[1.10]	[1.97]	[0.92]	[0.19]	[0.38]	[3.49]	[2.56]	[3.49]	M4	[1.53]
324-SS	5,1	4,3	6,4	48,5	28	50,1	[23,4]	4,4	9,7	88,7	65,1	88,8		38,7
334	[0.28]	[0.22]	[0.28]	[2.37]	[1.55]	[2.68]	[1.34]	[0.35]	[0.63]	[4.10]	[3.70]	[4.12]	M6	[2.04]
334-SS	7,1	5,6	7,1	60,1	39,3	68	34	8,8	16	104,2	94	104,5		51,8
344	[0.34]	[0.34]	[0.35]	[3.39]	[1.86]	[7.09]	[1.73]	[0.50]	[0.94]	[5.77]	[5.00]	[5.84]	M8	[2.46]
344-SS	8,6	8,6	8,9	86,1	47,3	78,6	49,1	12,7	23,8	146,6	126,9	148,4		62,4
374	[0.41]	--	--	[2.38]	[1.43]	--	--	--	--	[6.60]	[6.04]	[6.04]	M10	[1,75]
	10,3			60,5	36,3					167,8	153,5	153,5		44,5

324-R, 334-R, 344-R SERIES

Pull Action Latch Clamps | Dimensions | -R/-RSS



mm [INCH]
THIRD ANGLE PROJECTION

Model	A	A1	A2	A3	A4	A5	B	B1	B2	B3	B4	C2	D
324-R	[.50]	[1.00]	[.56]	[.25]	[.28]	[1.00]	[0.88]	[1.38]	[.52]	[0.81]	[0.44]	[0.09]	[0.20]
324-RSS	12,7	25,4	14,3	6,4	7,1	25,4	22,4	35,1	13,3	20,6	11,1	2,4	5,2
334-R	[.75]	[1.38]	[.81]	[.27]	[.41]	[2.13]	[1.00]	[1.56]	[0.68]	[1.13]	[1.63]	[0.12]	[0.28]
334-RSS	19,1	34,9	20,6	7,0	10,3	54,0	25,4	39,6	17,3	28,6	41,3	3,1	7,1
344-R	[1.25]	[1.94]	[1.06]	[.34]	[0.69]	[2.13]	[1.44]	[2.13]	[1.21]	[1.75]	[2.38]	[0.16]	[0.34]
344-RSS	31,8	49,1	27,0	8,7	17,5	54	36,6	54	30,6	44,5	60,5	4	8,6

Model	D2	E	E1	F	H	H1	H2	H3	H4	L	L1	M	S	R
324-R	[0.17]	[0.20]	[0.17]	[0.22]	[2.03]	[1.11]	[2.07]	[1.52]	[.44]	[3.47]	[2.62]	M4	[1.53]	[3.49]
324-RSS	4,4	5,2	4,4	5,6	51,6	28,1	52,7	38,5	11,1	88,1	66,6	M4	38,7	88,8
334-R	[0.22]	[0.35]	[0.63]	[0.18]	[2.37]	[1.55]	[2.55]	[2.22]	[0.86]	[4.12]	[3.76]	M6	[2.04]	[4.10]
334-RSS	5,6	8,8	15,9	4,5	60,2	39,3	64,7	56,3	21,8	104,6	95,6	M6	51,7	104,2
344-R	[0.34]	[0.50]	[0.94]	[0.36]	[3.40]	[1.86]	[3.39]	[3.17]	[1.22]	[5.77]	[5.04]	M8	[2.46]	[5.90]
344-RSS	8,7	12,7	23,9	9,1	86,5	47,3	86,0	80,8	31	146,5	128,0	M8	62,4	150

324, 334, 344, 374 SERIES



Pull Action Latch Clamps | Replacement Hook Assembly | Dimensions

Replacement Hook Assembly	Used on Clamp Model	A	B	C	M	Material				
324215	324, 324-R	[3.00] 76	[1.00] 25,4	[0.81] 20,6	M4X0.7	Steel				
324215-M-25 ⓘ	324-M-25 324-R-M-25	[4.00] 101,6								
324215-M-50 ⓘ	324-M-50 324-R-M-50	[5.00] 127								
324215-M-100 ⓘ	324-M-100 324-R-M-100	[7.00] 178								
324915	324-SS, 324-RSS	[3.00] 76								
324915-M-25 ⓘ	324-SS-M-25	[4.00] 101,6								
324915-M-50 ⓘ	324-SS-M-50	[5.00] 127								
324915-M-100 ⓘ	324-SS-M-100	[7.00] 178								
334215	334, 334-R	[4.31] 109,5					[1.50] 38,1	[1.13] 28,7	M6X1.0	Steel
334215-M-25 ⓘ	334-M-25 334-R-M-25	[5.31] 135								
334215-M-50 ⓘ	334-M-50 334-R-M-50	[6.31] 160,3								
334215-M-100 ⓘ	334-M-100 334-R-M-100	[8.31] 211								
334915	334-SS, 334-RSS	[4.31] 109,5								
334915-M-25 ⓘ	334-SS-M-25	[5.31] 135								
334915-M-50 ⓘ	334-SS-M-50	[6.31] 160,3								
334915-M-100 ⓘ	334-SS-M-100	[8.31] 211								
344215	344, 344-R	[5.81] 147,5	[2.25] 57,2	[1.75] 44,5	M8X1.25	Steel				
344215-M-25 ⓘ	344-M-25 344-R-M-25	[6.81] 173								
344215-M-50 ⓘ	344-M-50 344-R-M-50	[7.81] 198,5								
344215-M-100 ⓘ	344-M-100 344-R-M-100	[9.81] 249,2								
344915	344-SS, 344-RSS	[5.81] 147,5								
344915-M-25 ⓘ	344-SS-M-25	[6.81] 173								
344915-M-50 ⓘ	344-SS-M-50	[7.81] 198,5								
344915-M-100 ⓘ	344-SS-M-100	[9.81] 249,2								
374215	374	[6.50] 165					[3.25] 82,6		M10X1.50	Steel
374215-M-25 ⓘ	374-M-25	[7.50] 190,5								
374215-M-50 ⓘ	374-M-50	[8.50] 216								
374215-M-100 ⓘ	374-M-100	[10.50] 266,5								

Hook assemblies are supplied with (2) jam nuts and (2) locknuts.

ⓘ This item is available upon request.

Replacement Thumb Control Lever	Used on Clamp Model
324-ZB1	324, 324-SS
334-ZB1	334, 334-SS
344-ZB1	344, 344-SS
375-ZB1	374

