

# 205 Series



## Horizontal Hold Down Clamps | Product Overview

### Features:

- Smallest of the Horizontal Hold Down clamps
- Ideal for light duty clamping in tight spaces
- Stainless steel models furnished without plastic grip

### Applications:

- Assembly
- Closures
- Woodworking
- Light duty clamping

### Also Available:

See page MC-ACC-1 for accessories  
Accommodates M4 or #8 spindle accessory

**205-U**  
Flanged Base  
U-Bar



**205-UB** ⓘ  
Straight Base  
U-Bar



**205-UL** ⓘ  
Left Flanged  
Base, U-Bar



**205-UR** ⓘ  
Right Flanged  
Base, U-Bar



**205-USS**  
Flanged Base  
U-Bar, Stainless  
Steel



**205-S**  
Flanged Base  
Solid Bar



**205-SB** ⓘ  
Straight Base  
Solid Bar



**205-SL** ⓘ  
Left Flanged Base,  
Solid Bar



**205-SR** ⓘ  
Right Flanged  
Base, Solid Bar



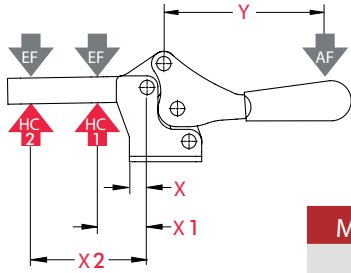
**205-SSS**  
Flanged Base  
Solid Bar, Stainless  
Steel



## Technical Information

Model	Max. Holding Capacity	Clamp Bar Opening (+10°)	Handle Opening (+10°)	Weight	Accessories (Supplied)	
					Spindle Assembly	Flanged Washers
205-U	270N [60 lbf]	90°	80°	0,03kg [0.06lb]	205208-M	105106
205-UB ⓘ						
205-UL ⓘ						
205-UR ⓘ						
205-USS	340N [75 lbf]	94°	82°		205943-M	105906
205-S						
205-SB ⓘ	270N [60 lbf]	94°	82°		205208-M	--
205-SL ⓘ						
205-SR ⓘ						
205-SSS	340N [75 lbf]			205943-M		

ⓘ This item is available upon request

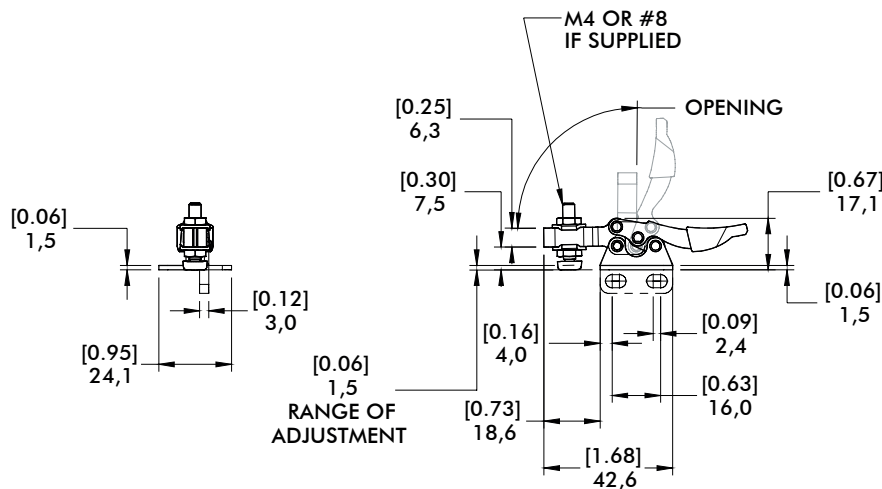
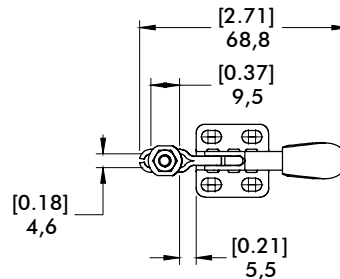


Model	X	X1	X2	Y	‡HC1	‡HC2	‡EF(X1):AF	‡EF(X2):AF
U		[0.43] 11			[60lbf.] 270N	[50lbf.] 220N	9:1	5:1
USS	[0.22] 5,6		[0.81] 20,5	[1.31] 33,2	[75lbf.] 340N	[65lbf.] 290N		
S		--			--	[60lbf.] 270N	--	4:1
SSS						[75lbf.] 340N		

Dimensions shown "mm [inch]" ‡ HC = Holding Capacity, EF = Exerting Force, AF = Applied Force  
See page MC-TEC-4 for additional information.

### Dimensions | -U/-UB/-UL-/-UR/-USS/-S/-SB/-SL/-SR/-SSS

**205-U**  
Flanged Base  
U-Bar



**205-S**  
Flanged Base  
Solid Bar

