

# 2010 SERIES



## Vertical Hold Down Clamps | Product Overview

### Features:

- Large hand clearance for improved safety
- Bolt pattern interchangeable with 210 Series
- Over two times the holding capacity of 210 Series
- Hardened bushings at key pivot points
- Near vertical clamping contact
- 5 handle colors - see page MC-PRO-7 for details

### Applications:

- Checking fixtures
- Assembly & test
- Light machining
- Woodworking

### Also Available:

See page MC-ACC-1 for accessories  
Accepts M10 or 3/8 spindle accessories

Covered under one or more U.S./International Patents

**2010-U**  
Flanged Base  
U-Bar



**2010-S**  
Flanged Base  
Solid Bar



**2010-UB**  
Straight Base  
U-Bar



**2010-SB**  
Straight Base  
Solid Bar



**2010-UR**  
Flanged Base  
U-Bar  
DESTACO®  
Toggle Lock  
Plus



**2010-SR** ⓘ  
Flanged Base  
Solid Bar  
DESTACO®  
Toggle Lock  
Plus



**2010-UBR**  
Straight Base  
U-Bar  
DESTACO®  
Toggle Lock  
Plus



**2010-SBR** ⓘ  
Straight Base  
Solid Bar  
DESTACO®  
Toggle Lock  
Plus



**Color Handles**  
Available on models  
in this series that use  
standard red handles.\*  
Add **-Y, -G, -B, -K**  
to end of model number.

\*Excludes Blackout Series,  
Toggle Lock Plus levers  
or dipped handles.

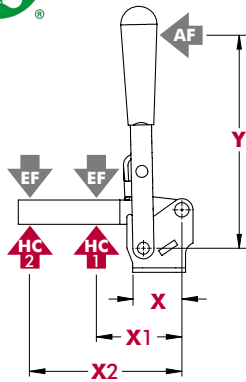


## Technical Information

Model	Max. Holding Capacity	Clamp Bar Opening (+10°)	Handle Opening (+10°)	Weight	Accessories (Supplied)		
					Bolt Retainer	Spindle Assembly	Flanged Washers
2010-U	[1400 lbf] 6230 N	78°	66°	[2.56 lbs] 1,16 kg	---	240208-M	235106
2010-S					2010115-E	---	
2010-UB					---	240208-M	235106
2010-SB					2010115-E	---	
2010-UR					---	240208-M	235106
2010-SR ⓘ					2010115-E	---	
2010-UBR					---	240208-M	235106
2010-SBR ⓘ					2010115-E	---	

ⓘ This item is available upon request

## Vertical Hold Down Clamps | Holding Capacities

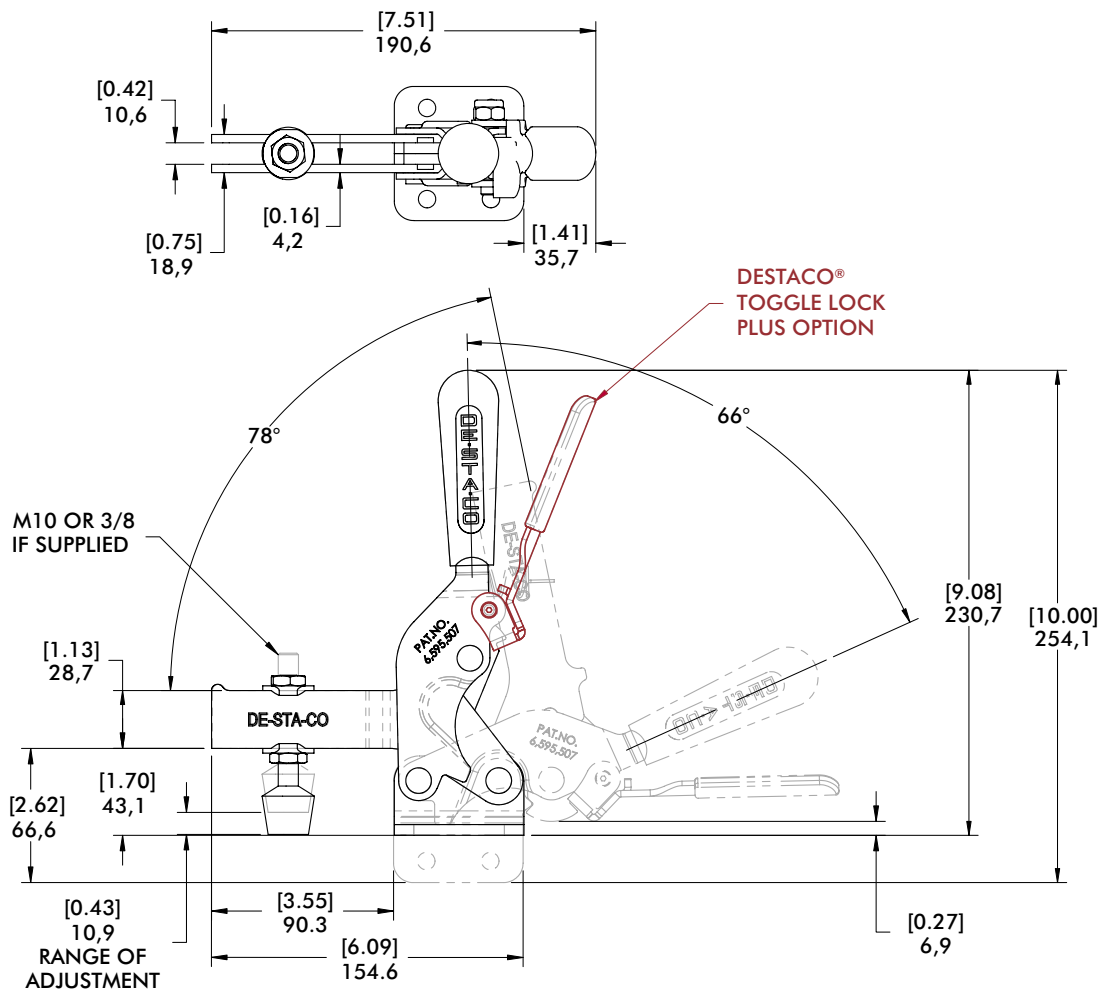


Model	X	X1	X2	Y	±HC1	±HC2	±EF(X1):AF	±EF(X2):AF
2010-( )	[2.04] 51,8	[2.44] 62	[4.88] 124	[7.00] 178	[1400 lbf] 6230 N	[720 lbf] 3200 N	13:1	6:1

Dimensions shown "mm [inch]" ± HC = Holding Capacity, EF = Exerting Force, AF = Applied Force  
See page MC-TEC-4 for additional information.

## Dimensions | -U/-S/-UB/-SB/-UR/-SR/-UBR/-SBR

**2010-U**  
Flanged Base  
U-Bar



**2010-SB**  
Straight Base  
Solid Bar

