

GR1-20 SERIES

Toggle Lock Sheet Metal Grippers | Ordering Information

GR1-20 **BE** - 180 - **DXX** - **MXX** -

Cylinder Type & Porting

Step 1 - Cylinder Ports Choose One

- B** **E**
E English (1/8 NPT)
M Metric (1/8 G)

Open/Closed Sensor

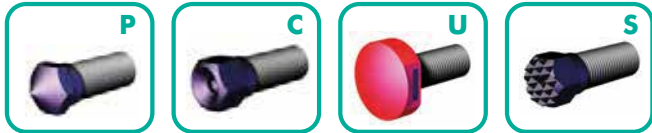
Sensors Type	Description
T04	Internal Sensor
(Leave Blank)	No Sensor

(See page SG-TGL-43 for sensor specifications)

Tip Insert Options

Step 2 - Upper Tip Insert Options Choose One

- D** **P** **P**
P Point
C Cup
U Urethane
S Serrated
X No Tips



Step 3 - Lower Tip Insert Options Choose One Above

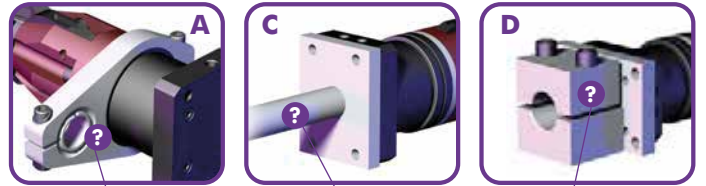
- D** **P** **P**

For tip insert dimensions and replacement part #'s, please refer to **GR84** Mini Clamp Tip Insert options.

Mount Options

Step 1 - Mount Type Choose One

- M** **X** **X**
A Parallel Swivel Mount
C Rear Fixed Welded Style
D Rear Fixed Clamp Mount
X No Mount



1 **3**
 Mount Ball Sizes Available

1 **3**
 Mount Rod Sizes Available

7
 Mount Size Available

Step 2 - Mount Ball/Rod Type Choose One

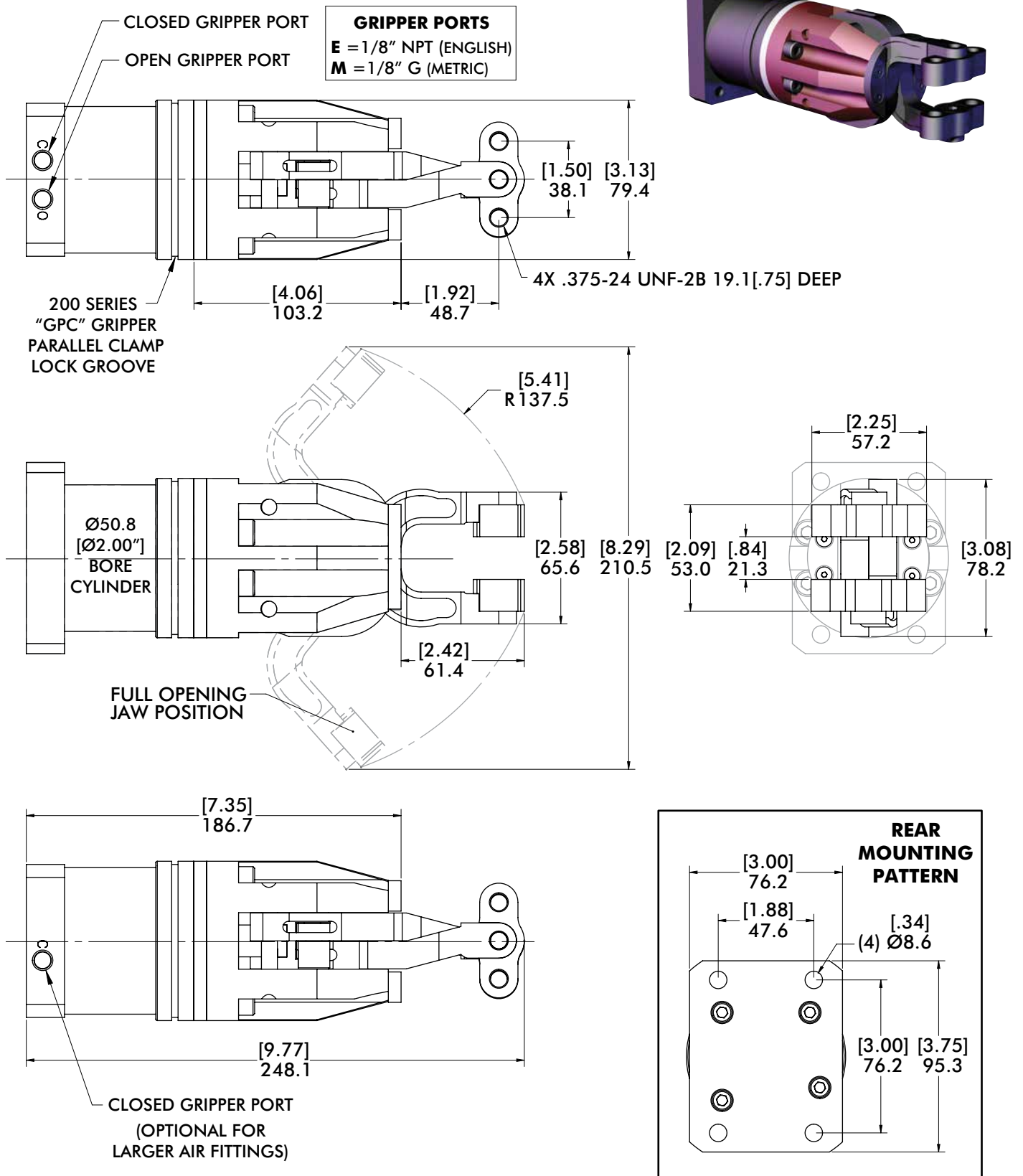
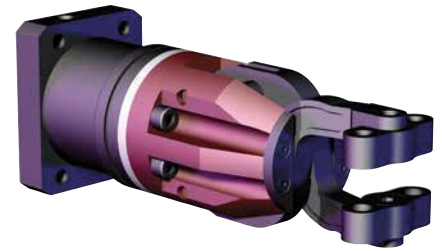
- M** **X** **X**
1 1.00" W/Metric Fasteners (A & C Only)
3 25Mm Metric Fasteners (A & C Only)
7 M1514 (Type D Only)
X No Mount



GR1-20 SERIES

Toggle Lock Sheet Metal Grippers | Dimensions

"180" 180° Angular Jaw Arrangement - Double Insert

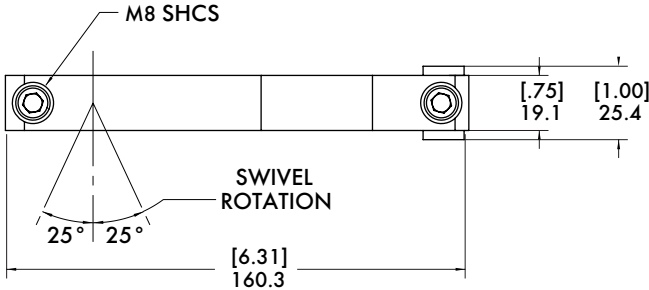
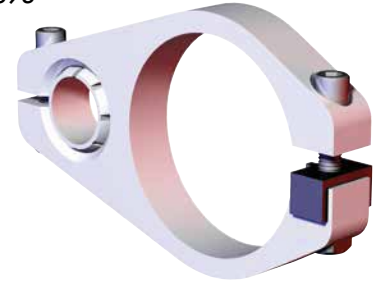


GR1-20 SERIES

Toggle Lock Sheet Metal Grippers | Dimensions and Ordering Information

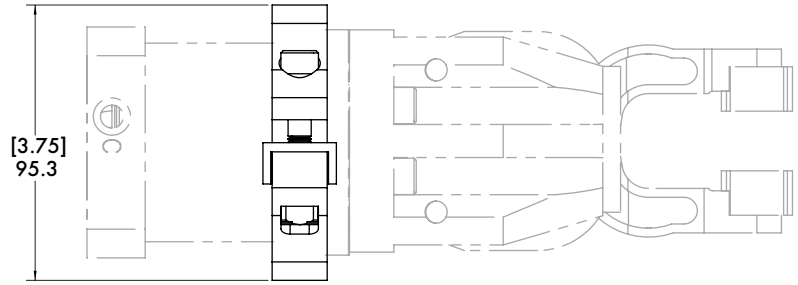
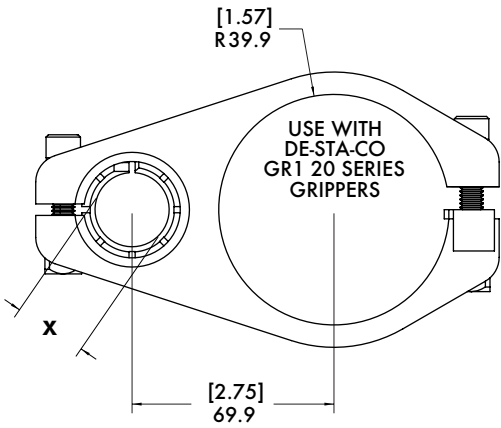
"MAx" Swivel Parallel Gripper Mounts

PATENT# 6,988,696



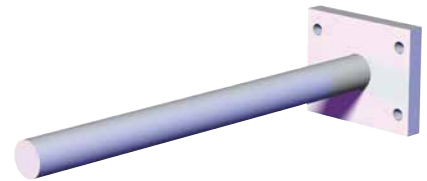
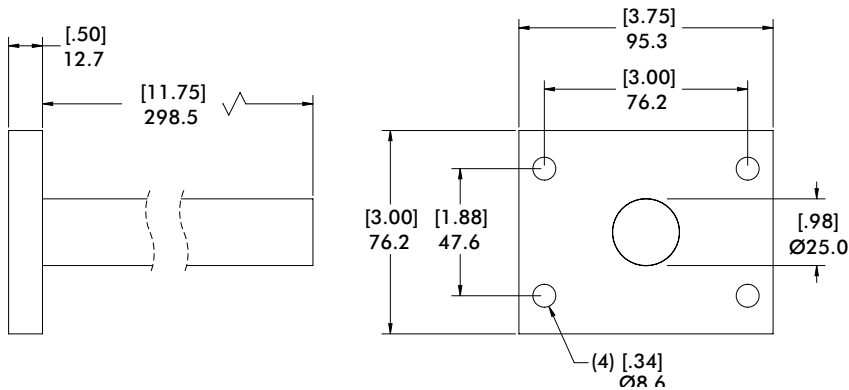
Snap-In Ball

Special patented design allows user to replace ball without disassembly



Mounting Option	Rod/Ball "X"	Replacement Part #
MA1	Ø1.00"	CPI-GPC-200-100S-DC
MA3	Ø25mm	CPI-GPC-200-25MS-DC

"MCx" Rear Fixed Welded Mount

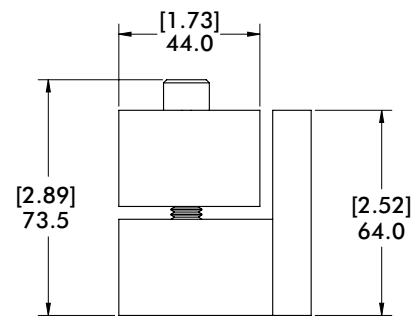
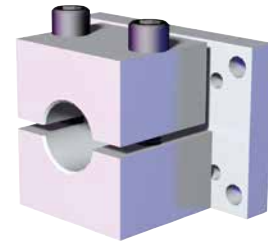
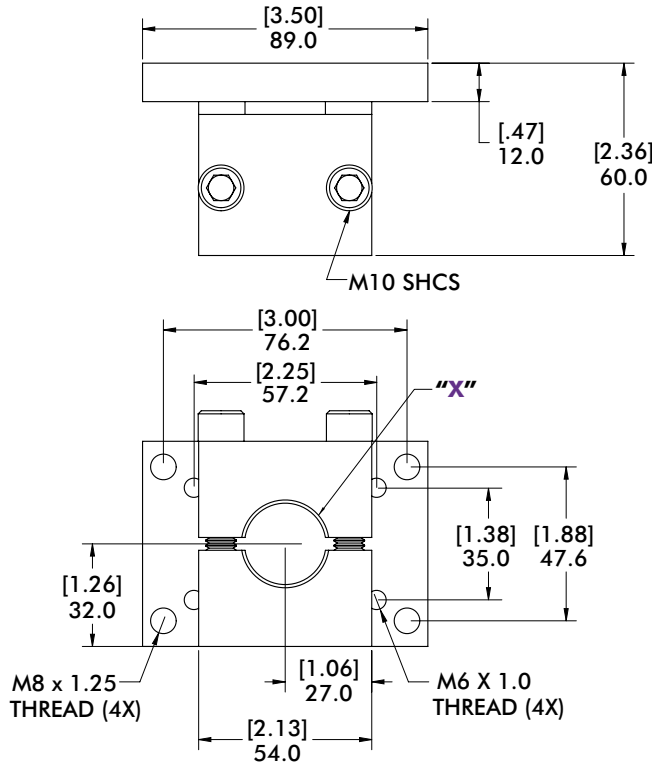


Mounting Option	Rod/Ball "X"	Replacement Part #
MC1	Ø1.00"	CPI-RJM-200-100
MC3	Ø25mm	CPI-RJM-200-25

GR1-20 SERIES

Toggle Lock Sheet Metal Grippers | Dimensions, Ordering Information

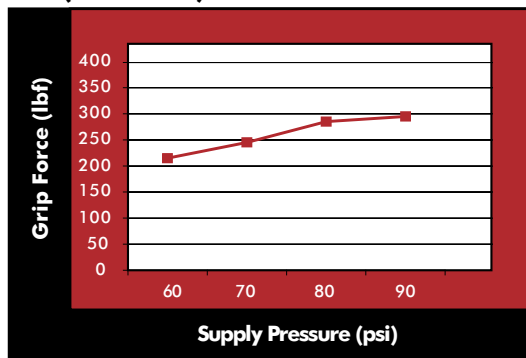
"MD7" Rear Fixed Clamp Mount



Mounting Option	Rod/Ball "X"	Replacement Part #
MD7	Ø1.00"	M1514

Technical Information

180 (20 SERIES)



"180" 180° Angular



Weight:
2.4 kg [5.4 lb]
Grip Range:
0" - 0.125" [0 - 3mm]

Air Requirements:

Recommended operating Pressure:
2-6 bar [30-90 psi]
Ports: 1/8" BSPP [1/8" NPT]
Air flow controls recommended
for maximum life

Operating Temperature:

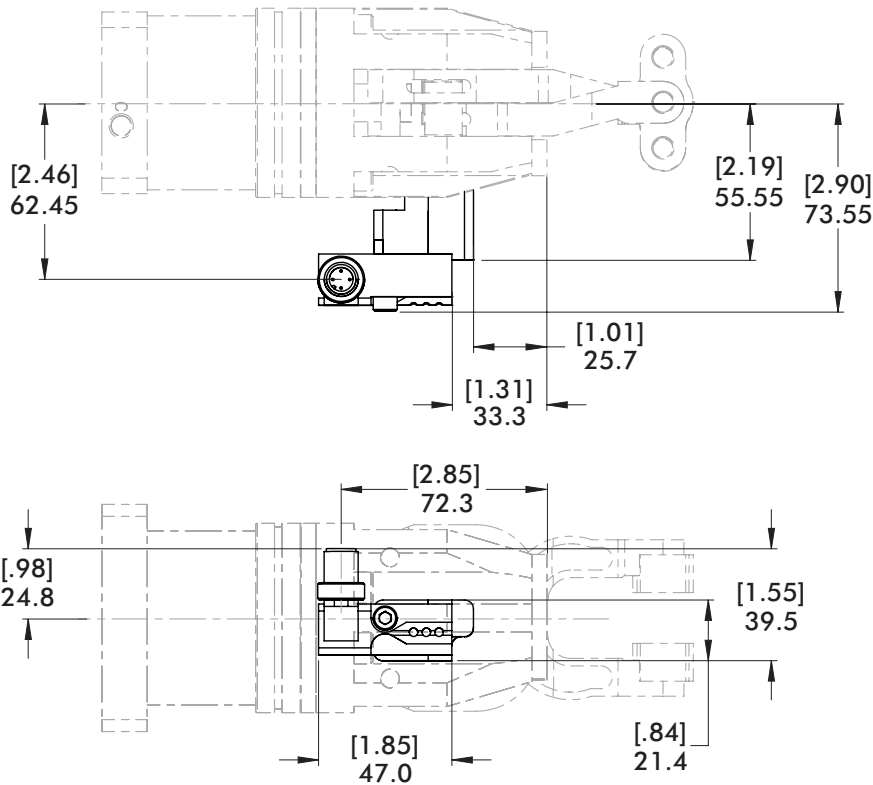
0° - 93°C [32° - 200°F]

SHEET METAL GRIPPERS

Toggle Lock Sheet Metal Grippers | Dimensions, Technical and Ordering Information

"T04" Open/Closed Sensor Option

This sensor option can only be used at full stroke.

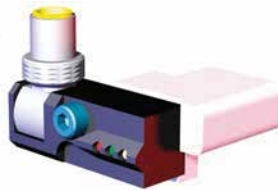


Replacement Part

CPI-GR1-15-TK-DC-T04

This Sensor Part Number is used on the following GR1 Gripper Styles

"T04"



This sensor option is used in conjunction with a special gripper body used in place of the standard gripper body in order for the sensor to function properly.

"T04" Proximity Switch Wiring



- PIN 1) BROWN: POSITIVE POWER
- PIN 2) BLACK: SIGNAL FOR GRIPPER CLOSED
- PIN 3) BLUE: NEGATIVE POWER
- PIN 4) BLACK: SIGNAL FOR GRIPPER OPEN

3 amps, 250 volts, VDC
4-Pin Euro Micro Connector