

# 84N5 SERIES (FIXED LOWER JAW)

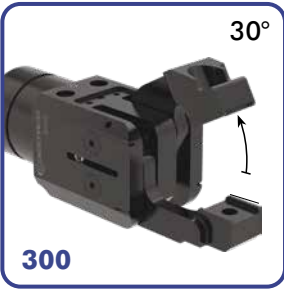
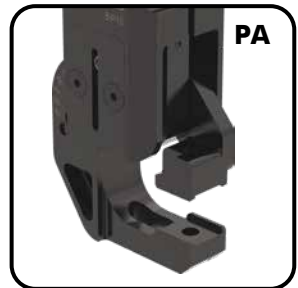
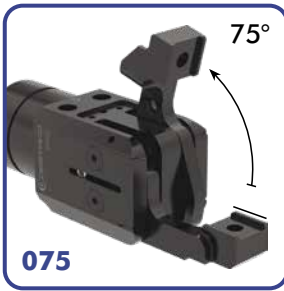
Accelerate® Press Shop Sheet Metal Grippers | Ordering Information



| Ports | Description |
|-------|-------------|
| N     | 1/8 NPT     |
| G     | 1/8 BSPP    |

| Opening Angle | Description                         |
|---------------|-------------------------------------|
| 300           | 30° Opening Angle (FA option only)  |
| 400           | 45° Opening Angle (FA option only)  |
| 075           | 75° Opening Angle                   |
| ADJ           | 15° to 75° Adjustable Opening Angle |

| Jaw Type and Style | Description                  |
|--------------------|------------------------------|
| FA                 | Straight Fixed Lower Jaw     |
| PA                 | 90° Straight Fixed Lower Jaw |



**Specifications:** SG-PRG-16  
**Mounts (sold separately):** SG-PRG-21 thru 22  
**Accessories:** SG-PRG-24 thru 28.



**84N5-G-400-FA-1PF4-1-P-01**  
 shown with **GT-84N1-32B-A** mount.

US Patent #10549431

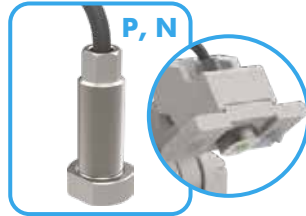
# 84N5 SERIES (FIXED LOWER JAW)

Accelerate® Press Shop Sheet Metal Grippers | Ordering Information

## In-Jaw Blank Sensing\*

| Description   |
|---------------|
| <b>0</b> None |
| <b>P</b> PNP  |
| <b>N</b> NPN  |

\*In-jaw blank sensing not available with Single Cone Style Tip.



## Left Side 2-Point Sensing

| Description   |
|---|
| <b>0</b> None   |
| <b>1</b> Dual Magneto-Resistive PNP Sensors Left Side |
| <b>2</b> Dual Magneto-Resistive NPN Sensors Left Side |

## Right Side 2-Point Sensing

| Description  |
|--|
| <b>0</b> None  |
| <b>1</b> Dual Magneto-Resistive PNP Sensors Right Side |
| <b>2</b> Dual Magneto-Resistive NPN Sensors Right Side |



0.5 mm blank minimum sheet thickness. Side mount option 1 & 2 sensing detects gripper jaw position can be adjusted to sense blank, double, full open, and full closed based on jaw position.

## Sheet Stop

| Description                        |
|------------------------------------|
| <b>0</b> None (PA option only)     |
| <b>1</b> Required (FA option only) |



## Non-Adjustable Jaw Tip Insert Options

**0000** None

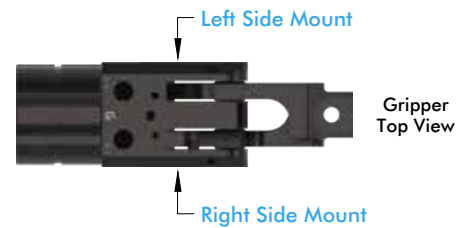
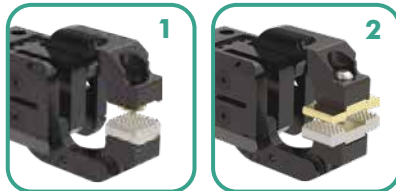
- or -

### Step 1 - Tip Type Choose One

**2** **C** **S** **3**

- 1** Single Tip
- 2** Double Tip\*

\*Double polyurethane tip style not available.

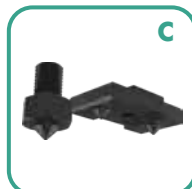


### Step 2 - Upper Jaw Tip Insert Choose One (see images below)

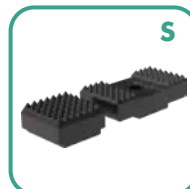
**2** **C** **S** **3**

- C** Cone Style Tip\*
- S** Serrated Style Tip
- F** Flat Style Tip
- P** Polyurethane

\*Single Cone [1Cxx] not compatible with In-Jaw Sensor.



Single or Double Cone Tips (not available for lower jaw)



Single or Double Serrated Tips

### Step 3 - Lower Jaw Tip Insert† Choose One (see images below)

**2** **C** **S** **3**

- S** Serrated Style Tip
- F** Flat Style Tip
- S** Serrated Style Tip
- F** Flat Style Tip
- S** Serrated Style Tip
- F** Flat Style Tip
- P** Polyurethane Style Tip (Single Only)
- F** Flat Style Tip
- P** Polyurethane Style Tip (Single Only)

†For Chisel Jaw types **SC** and **DC** enter **0** for Lower Jaw Tip Insert.



Single or Double Flat Tips

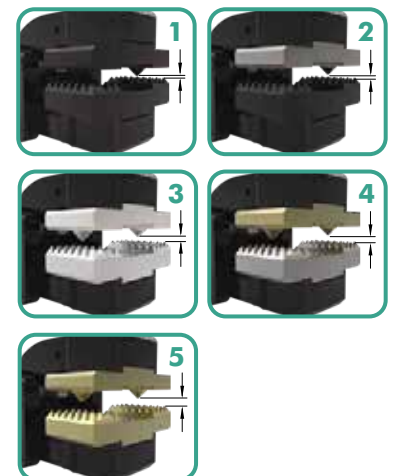


Single Polyurethane Tip

### Step 4 - Part Thickness Range Choose One

**2** **C** **S** **4**

- 1** 0.5 to 1.1 mm **Black-Black**
- 2** 1.1 to 1.7 mm **Silver-Black**
- 3** 1.7 to 2.3 mm **Silver-Silver**
- 4** 2.3 to 2.9 mm **Gold-Silver**
- 5** 2.9 to 3.5 mm **Gold-Gold**



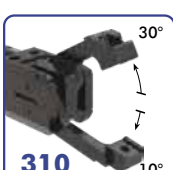
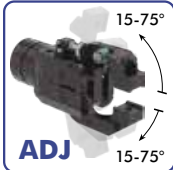
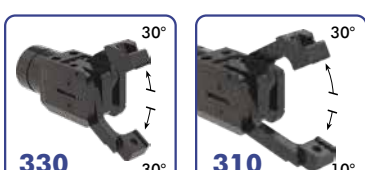
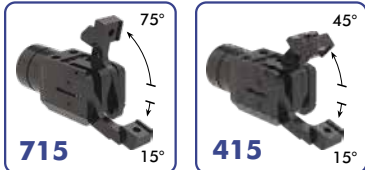
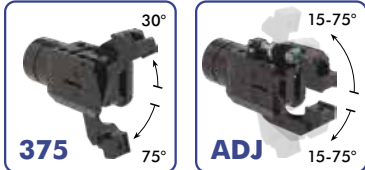
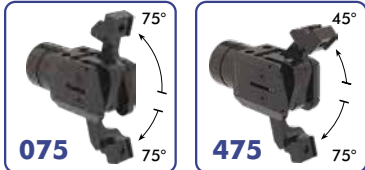
Customer is responsible for final adjustments and tightening of all accessory mounting screws.

# 84N5 SERIES (MOVEABLE LOWER JAWS)

Accelerate® Press Shop Sheet Metal Grippers | Ordering Information

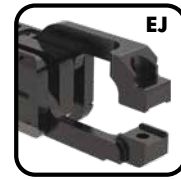
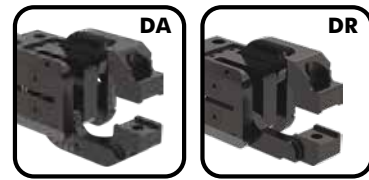
84N5 - G - ADJ - DA - 2CS4 - 1 - P - 0 1

| Ports | Description |
|-------|-------------|
| N     | 1/8 NPT     |
| G     | 1/8 BSPP    |



| Opening Angle | Upper Jaw | Lower Jaw | For Jaw Type |
|---------------|-----------|-----------|--------------|
| 375           | 30°       | 75°       | DA           |
| 475           | 45°       | 75°       | DA           |
| 075           | 75°       | 75°       | DA           |
| ADJ           | 15-75°    | 15-75°    | DA           |
| 315           | 30°       | 15°       | DR, SC, DC   |
| 415           | 45°       | 15°       | DR, SC, DC   |
| 715           | 75°       | 15°       | DR, SC, DC   |
| 322           | 30°       | 22°       | DR, SC, DC   |
| 422           | 45°       | 22°       | DR, SC, DC   |
| 722           | 75°       | 22°       | DR, SC, DC   |
| 330           | 30°       | 30°       | DR, SC, DC   |
| 430           | 45°       | 30°       | DR, SC, DC   |
| 730           | 75°       | 30°       | DR, SC, DC   |
| 310           | 30°       | 10°       | EJ           |

| Jaw Type and Style | Description       |
|--------------------|-------------------|
| DA                 | Double Open Jaws  |
| DR                 | Drop Jaw          |
| SC                 | Single Chisel Jaw |
| DC                 | Double Chisel Jaw |
| EJ                 | Extended Jaw      |



Specifications: SG-PRG-16

Mounts (sold separately): SG-PRG-21 thru 22

Accessories: SG-PRG-24 thru 28.

**84N5-G-ADJ-DA-2CS4-1-P-01**  
shown with GT-84N-GPC-25MS-A mount.



US Patent #10549431

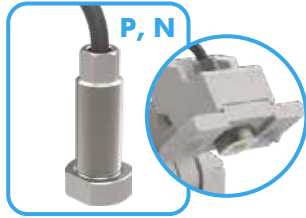
# 84N5 SERIES (MOVEABLE LOWER JAWS)

Accelerate® Press Shop Sheet Metal Grippers | Ordering Information

## In-Jaw Blank Sensing\*

| Description   |
|---------------|
| <b>0</b> None |
| <b>P</b> PNP  |
| <b>N</b> NPN  |

\*In-jaw blank sensing not available with Single Cone Style Tip.



## Sheet Stop

| Description       |
|-------------------|
| <b>1</b> Required |



## Non-Adjustable Jaw Tip Insert Options

**0000** None

- or -

### Step 1 - Tip Type\*

Choose One

**2** **C** **S** **3**

- 1** Single Tip
- 2** Double Tip



\*Single Tip not compatible with Double Chisel Jaw type option **DC**.  
Double polyurethane tip style not available.

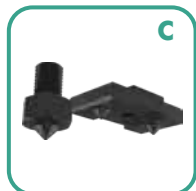
### Step 2 - Upper Jaw Tip Insert

Choose One (see images below)

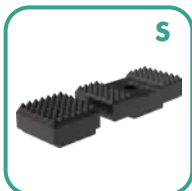
**2** **C** **S** **3**

- C** Cone Style Tip\*
- S** Serrated Style Tip
- F** Flat Style Tip
- P** Polyurethane

\*Single Cone [**1Cxx**] not compatible with In-Jaw Sensor.



Single or Double Cone Tips (not available for lower jaw)



Single or Double Serrated Tips



Single or Double Flat Tips



Single Polyurethane Tip

### Step 3 - Lower Jaw Tip Insert†

Choose One (see images below)

**2** **C** **S** **3**

- S** Serrated Style Tip
- F** Flat Style Tip
- S** Serrated Style Tip
- F** Flat Style Tip
- S** Serrated Style Tip
- F** Flat Style Tip
- P** Polyurethane Style Tip (Single Only)
- F** Flat Style Tip
- P** Polyurethane Style Tip (Single Only)

†For Chisel Jaw types **SC** and **DC** enter **0** for Lower Jaw Tip Insert.

### Step 4 - Part Thickness Range Choose One

**2** **C** **S** **4**

- 1** 0.5 to 1.1 mm **Black-Black**
- 2** 1.1 to 1.7 mm **Silver-Black**
- 3** 1.7 to 2.3 mm **Silver-Silver**
- 4** 2.3 to 2.9 mm **Gold-Silver**
- 5** 2.9 to 3.5 mm **Gold-Gold**



## Left Side 2-Point Sensing

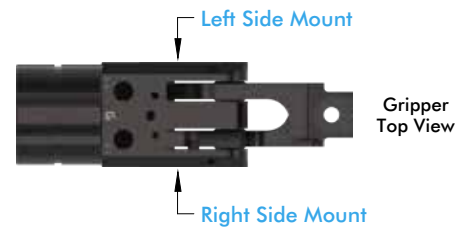
| Description   |
|---|
| <b>0</b> None   |
| <b>1</b> Dual Magneto-Resistive PNP Sensors Left Side |
| <b>2</b> Dual Magneto-Resistive NPN Sensors Left Side |

## Right Side 2-Point Sensing

| Description  |
|--|
| <b>0</b> None  |
| <b>1</b> Dual Magneto-Resistive PNP Sensors Right Side |
| <b>2</b> Dual Magneto-Resistive NPN Sensors Right Side |



0.5 mm blank minimum sheet thickness. Side mount option **1** & **2** sensing detects gripper jaw position can be adjusted to sense blank, double, full open, and full closed based on jaw position.

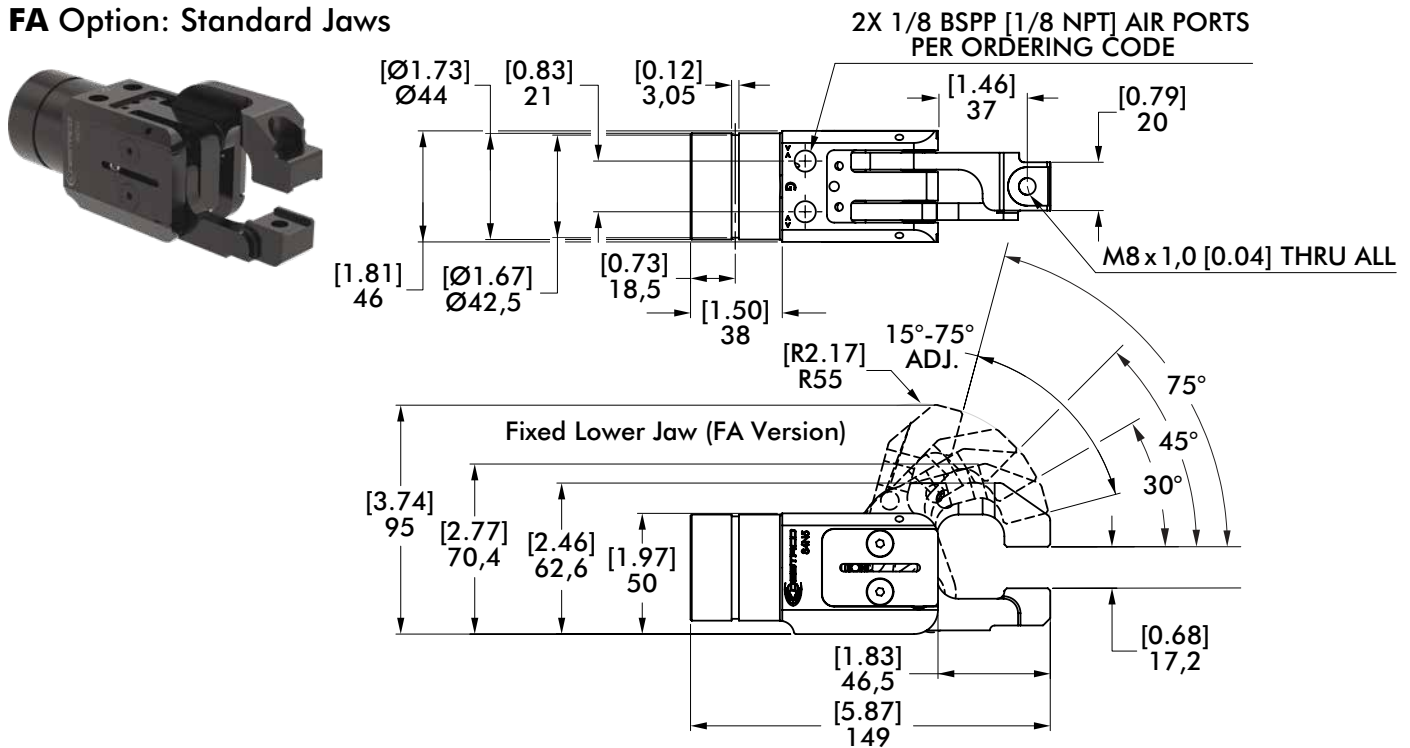


Customer is responsible for final adjustments and tightening of all accessory mounting screws.

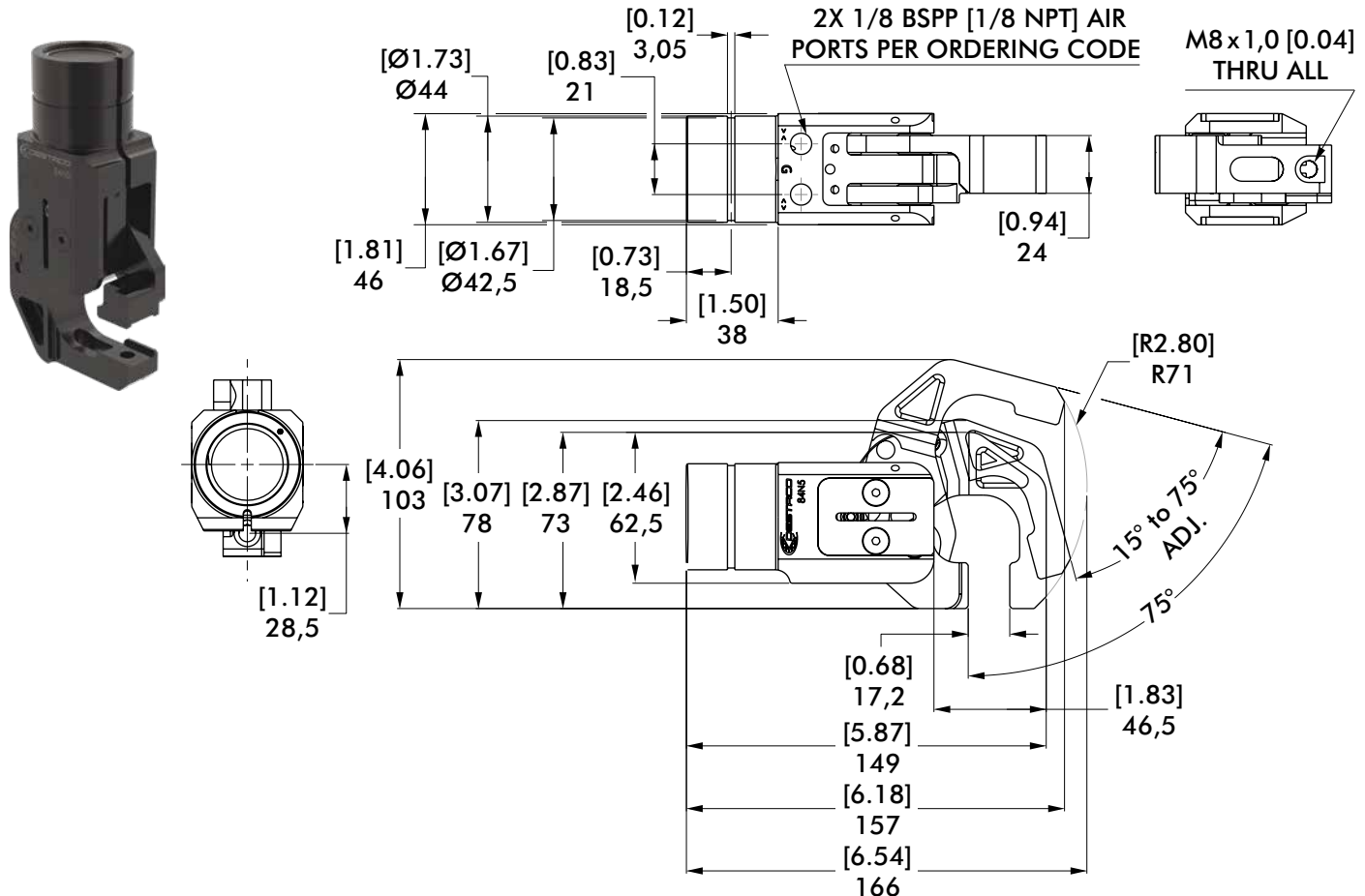
# 84N5 SERIES (FIXED LOWER JAW)

Accelerate® Press Shop Sheet Metal Grippers | Dimensions

## FA Option: Standard Jaws



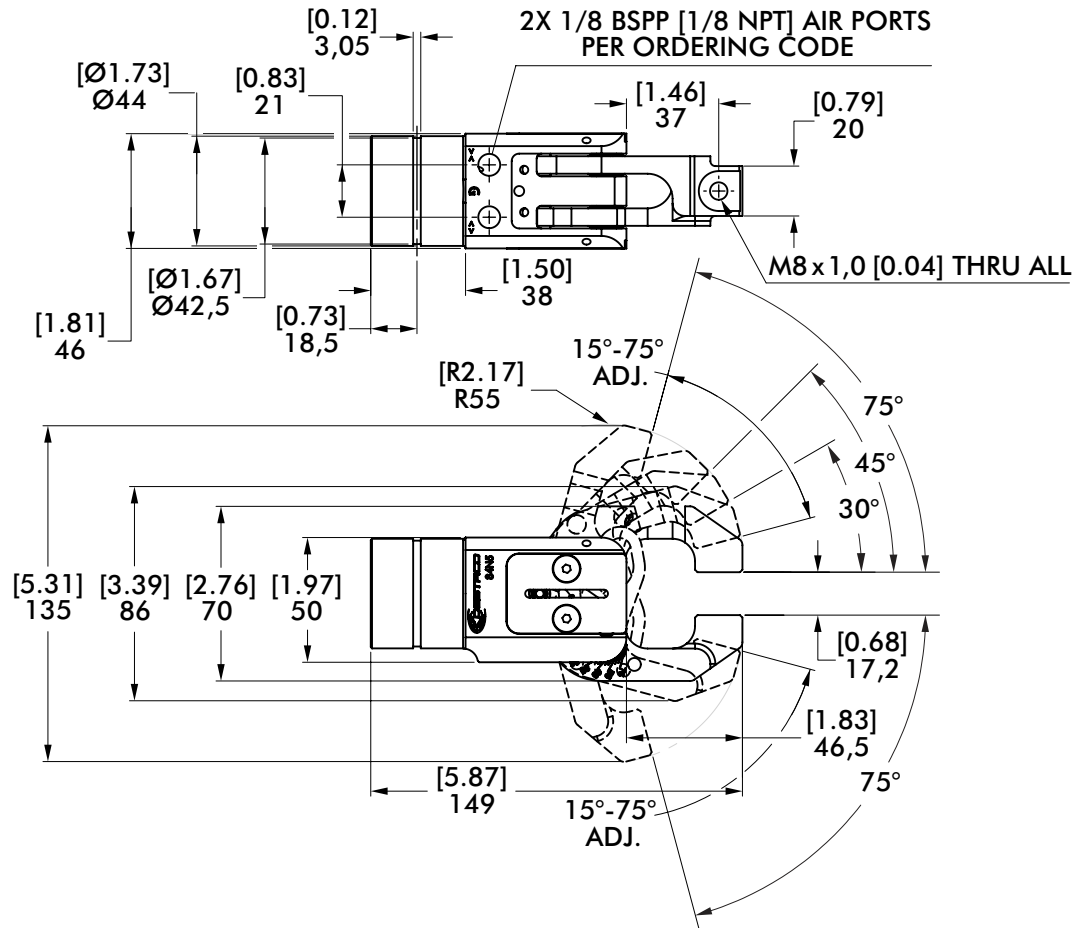
## PA Option: 90° Straight Fixed Lower Jaw



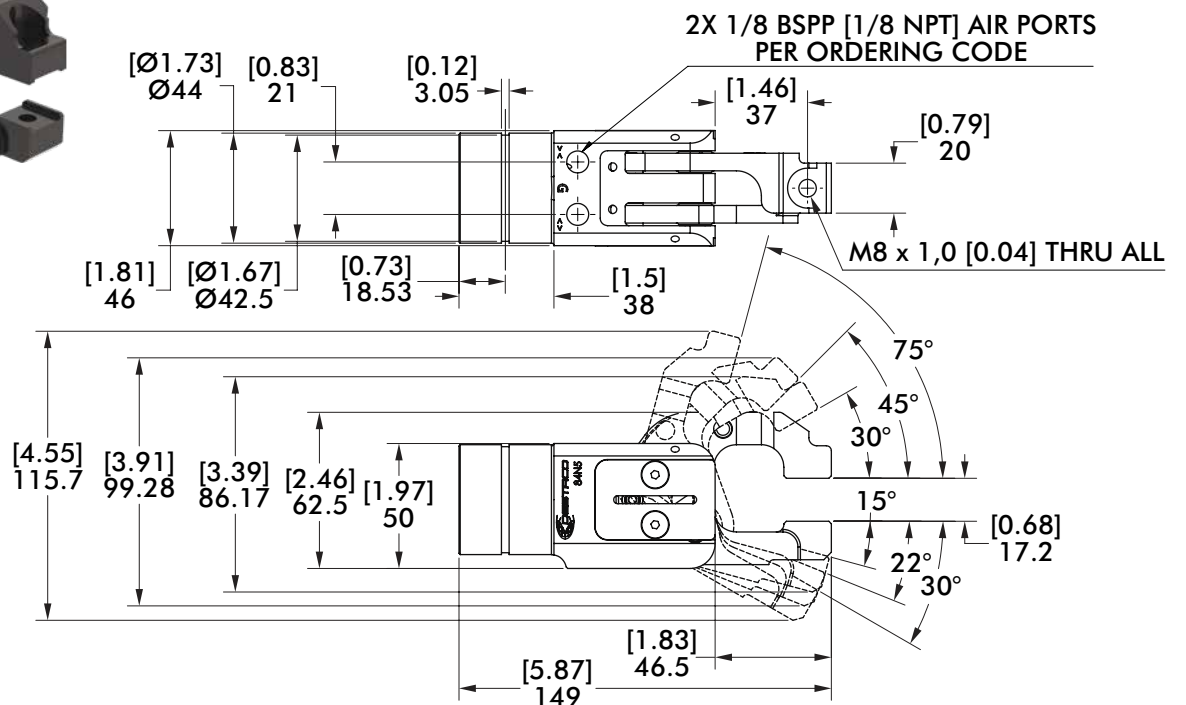
# 84N5 SERIES (MOVEABLE LOWER JAWS)

Accelerate® Press Shop Sheet Metal Grippers | Dimensions

## DA Option: Moveable Double Open Jaws



## DR Option: Moveable Lower Drop Jaw



# 84N5 SERIES (MOVEABLE LOWER JAWS)

Accelerate® Press Shop Sheet Metal Grippers | Dimensions

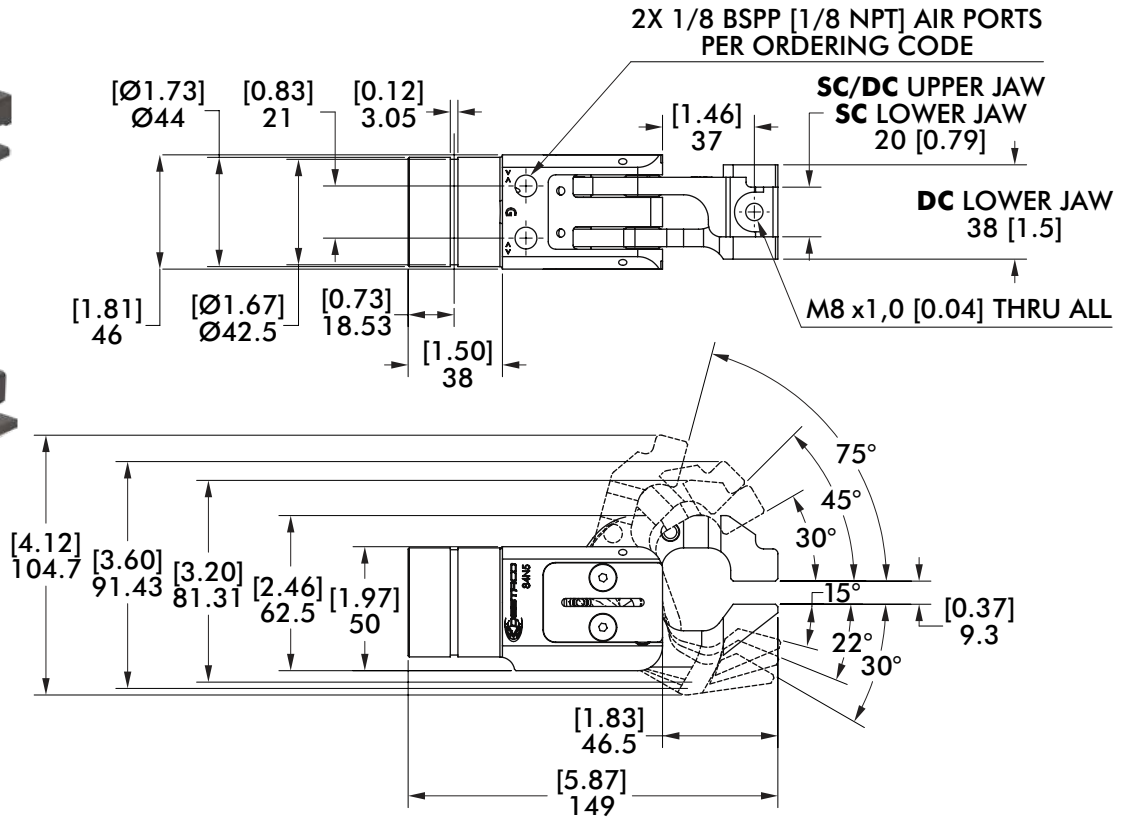
## SC/DC Option: Moveable Single/Double Chisel Lower Jaw



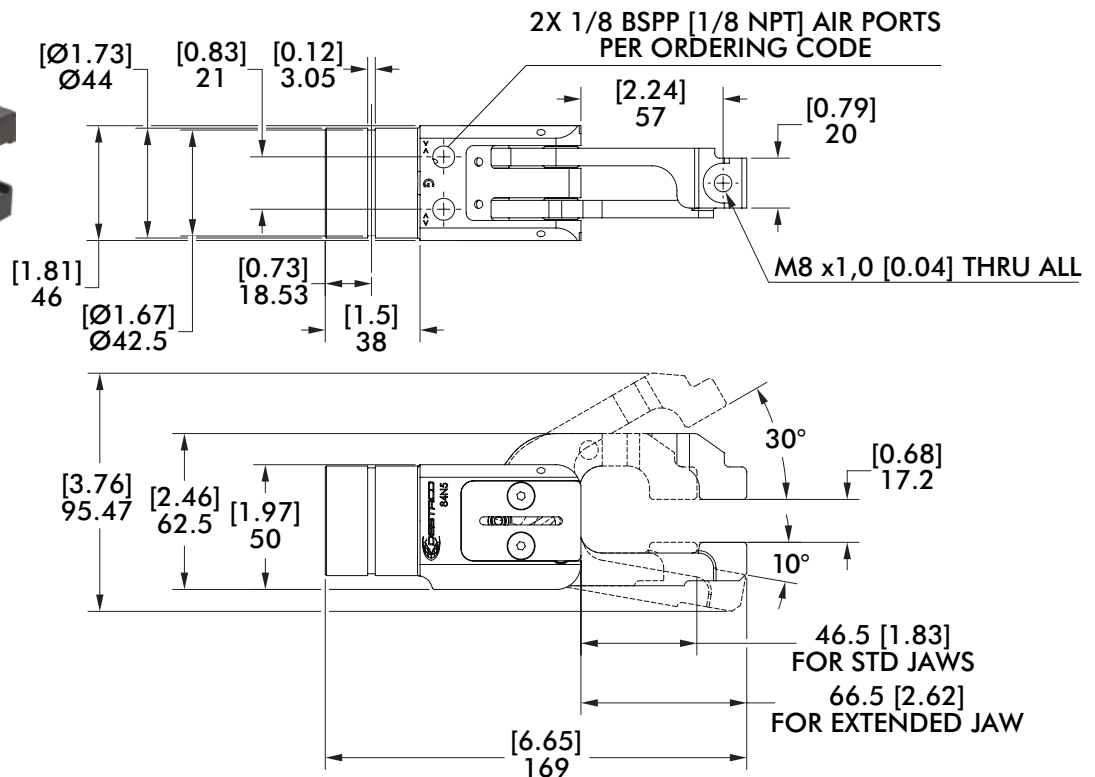
SC Single Chisel



DC Double Chisel



## EJ Option: Moveable Extended Lower Jaw



# 84N5 SPECIFICATIONS/FIXED LOWER JAWS KITS

Accelerate® Press Shop Sheet Metal Grippers | Specifications and Ordering Information

## Specifications

| Specification              | Unit      | 84N5                                      |
|----------------------------|-----------|---|
| Grip Force at 5 bar        | N [lbs]   | up to 1200 [270]                          |
| Weight (FA jaws - no tips) | Kg [lb]   | 0,68 [1.50]                               |
| Size L x W x H (Open)      | mm [in]   | 149 x 46 x 95<br>[5.87] x [1.81] x [3.74] |
| Actuation Time             | ms        | 70  |
| Minimum Operating Pressure | bar [psi] | 4 [58]                                    |
| Opening Angles:            |           |   |
| Upper Jaws                 |           | 30°, 45°, 75°,<br>ADJ (15°-75°)           |
| Lower Jaws                 |           | 10°, 15°, 22°, 30°,<br>75°, ADJ (15°-75°) |
| Piston Ø                   | mm [in]   | 32 [1.26]                                 |
| Air Consumption/Cycle      | L [in3]   | 0,036 [2.20]                              |
| Temperature Range          | C° [F°]   | -35° to 80° [-31° to 176]                 |

## Fixed Lower Jaw Replacement Kits

All kits include 2 jaws, 2 pivot pins, 2 cam follower bushings, 1 cam follower and 4 flat head cap screws.



| Straight Fixed Lower Jaw |           | Part #                 |
|--------------------------|-----------|------------------------|
| Upper Jaw                | Lower Jaw |                        |
| 30°                      | 0°        | <b>84N5-300-FA-KIT</b> |
| 45°                      | 0°        | <b>84N5-400-FA-KIT</b> |
| 75°                      | 0°        | <b>84N5-FA-KIT</b>     |

| 90° Straight Fixed Lower Jaw |           | Part #             |
|------------------------------|-----------|--------------------|
| Upper Jaw                    | Lower Jaw |                    |
| 75°                          | 0°        | <b>84N5-PA-KIT</b> |



# 84N5 MOVEABLE LOWER JAWS KITS

Accelerate® Press Shop Sheet Metal Grippers | Ordering Information

## Moveable Lower Jaw Replacement Kits

All kits include 2 jaws, 2 pivot pins, 2 cam follower bushings, 1 cam follower and 4 flat head cap screws.



### Double Open Jaw Part #

| Upper Jaw | Lower Jaw | Part #                 |
|-----------|-----------|------------------------|
| 30°       | 75°       | <b>84N5-375-DA-KIT</b> |
| 45°       | 75°       | <b>84N5-475-DA-KIT</b> |
| 75°       | 75°       | <b>84N5-DA-KIT</b>     |



### Extended Drop Jaw Part #

| Upper Jaw | Lower Jaw | Part #                 |
|-----------|-----------|------------------------|
| 30°       | 10°       | <b>84N5-310-EJ-KIT</b> |



### Single Chisel Jaw Part #

| Upper Jaw | Lower Jaw | Part #                 |
|-----------|-----------|------------------------|
| 30°       | 15°       | <b>84N5-315-SC-KIT</b> |
| 30°       | 22°       | <b>84N5-322-SC-KIT</b> |
| 30°       | 30°       | <b>84N5-330-SC-KIT</b> |
| 45°       | 15°       | <b>84N5-415-SC-KIT</b> |
| 45°       | 22°       | <b>84N5-422-SC-KIT</b> |
| 45°       | 30°       | <b>84N5-430-SC-KIT</b> |
| 75°       | 15°       | <b>84N5-715-SC-KIT</b> |
| 75°       | 22°       | <b>84N5-722-SC-KIT</b> |
| 75°       | 30°       | <b>84N5-730-SC-KIT</b> |



### Double Chisel Jaw Part #

| Upper Jaw | Lower Jaw | Part #                 |
|-----------|-----------|------------------------|
| 30°       | 15°       | <b>84N5-315-DC-KIT</b> |
| 30°       | 22°       | <b>84N5-322-DC-KIT</b> |
| 30°       | 30°       | <b>84N5-330-DC-KIT</b> |
| 45°       | 15°       | <b>84N5-415-DC-KIT</b> |
| 45°       | 22°       | <b>84N5-422-DC-KIT</b> |
| 45°       | 30°       | <b>84N5-430-DC-KIT</b> |
| 75°       | 15°       | <b>84N5-715-DC-KIT</b> |
| 75°       | 22°       | <b>84N5-722-DC-KIT</b> |
| 75°       | 30°       | <b>84N5-730-DC-KIT</b> |



### Drop Jaw Part #

| Upper Jaw | Lower Jaw | Part #                 |
|-----------|-----------|------------------------|
| 30°       | 15°       | <b>84N5-315-DR-KIT</b> |
| 30°       | 22°       | <b>84N5-322-DR-KIT</b> |
| 30°       | 30°       | <b>84N5-330-DR-KIT</b> |
| 45°       | 15°       | <b>84N5-415-DR-KIT</b> |
| 45°       | 22°       | <b>84N5-422-DR-KIT</b> |
| 45°       | 30°       | <b>84N5-430-DR-KIT</b> |
| 75°       | 15°       | <b>84N5-715-DR-KIT</b> |
| 75°       | 22°       | <b>84N5-722-DR-KIT</b> |
| 75°       | 30°       | <b>84N5-730-DR-KIT</b> |

# 84N1, 84N2 MOUNTS

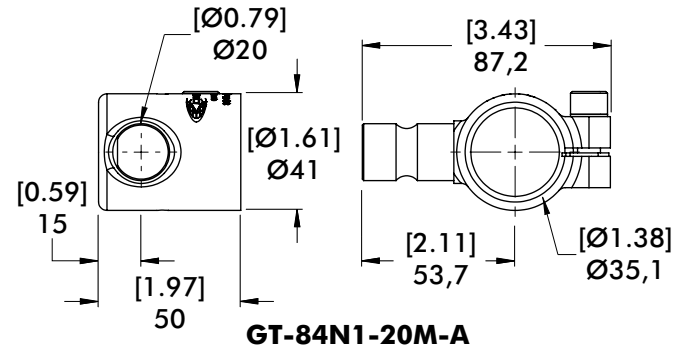
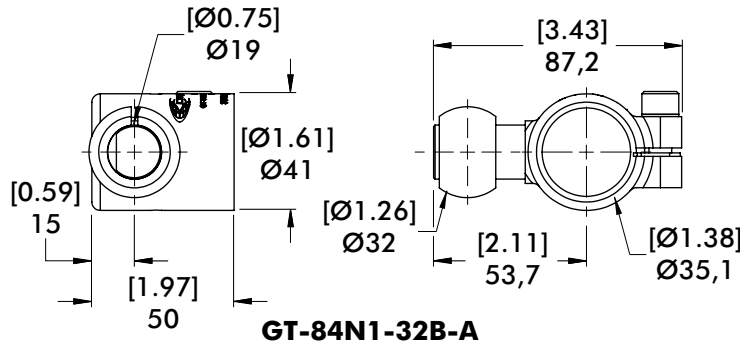
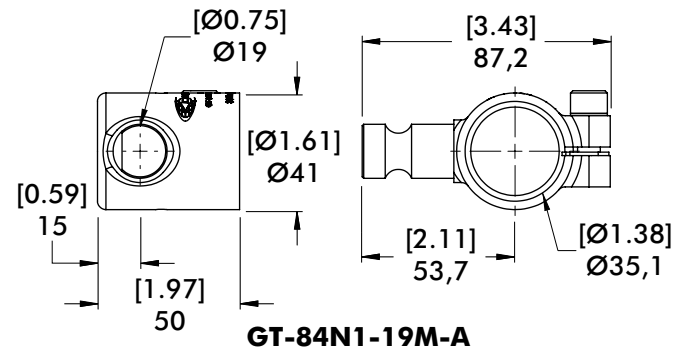
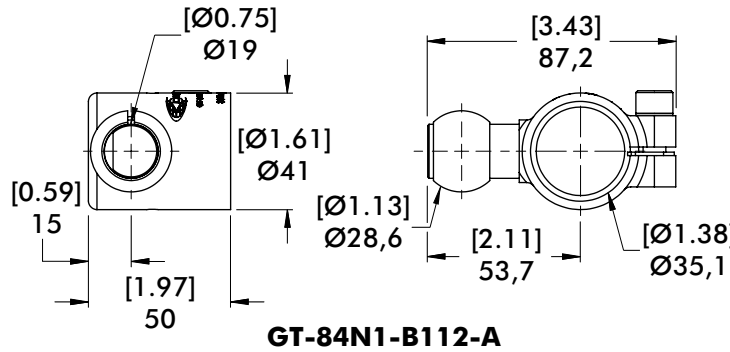
Accelerate® Press Shop Sheet Metal Grippers | Dimensions and Ordering Information

## Side Ball and Apple Core Mounts

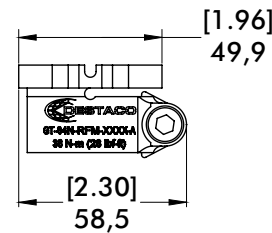
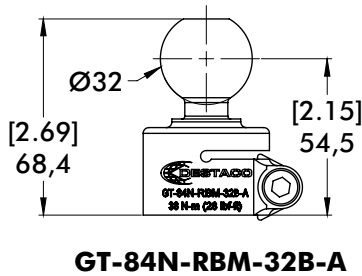
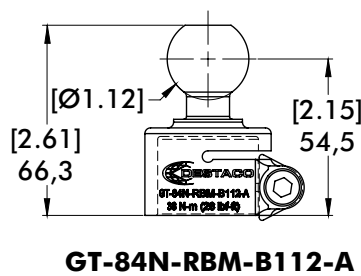
Side Ball



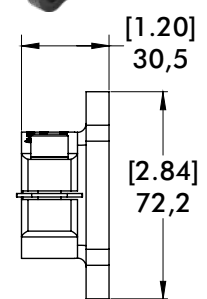
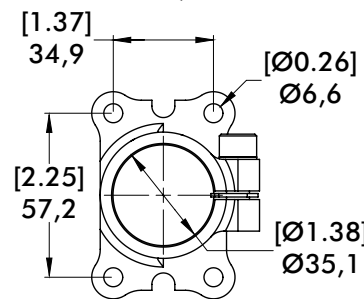
Apple Core



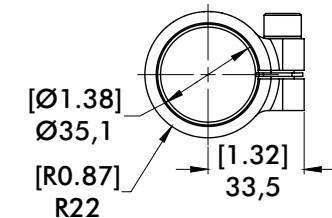
## Rear Ball and Flange Mounts



Rear Flange



GT-84N-RFM-2213-A



Rear Ball



### Side Ball and Apple Core

### Part #

- 1.125 in. (28.5mm) Side Ball
- 32mm Side Ball
- 19mm Applecore
- 20mm Applecore

- GT-84N1-B112-A**
- GT-84N1-32B-A**
- GT-84N1-19M-A**
- GT-84N1-20M-A**

### Rear Ball and Flange

### Part #

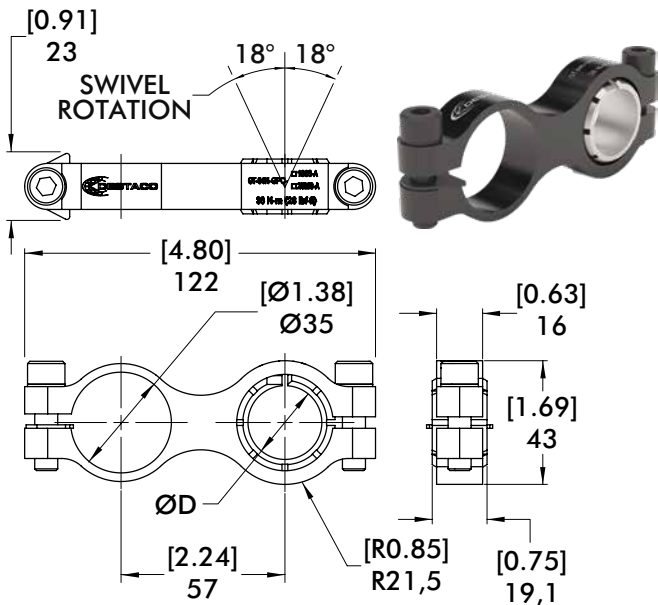
- 1.125 in. (28.5mm) Rear Ball
- 32mm Rear Ball
- Rear Flange

- GT-84N-RBM-B112-A**
- GT-84N-RBM-32B-A**
- GT-84N-RFM-2213-A**

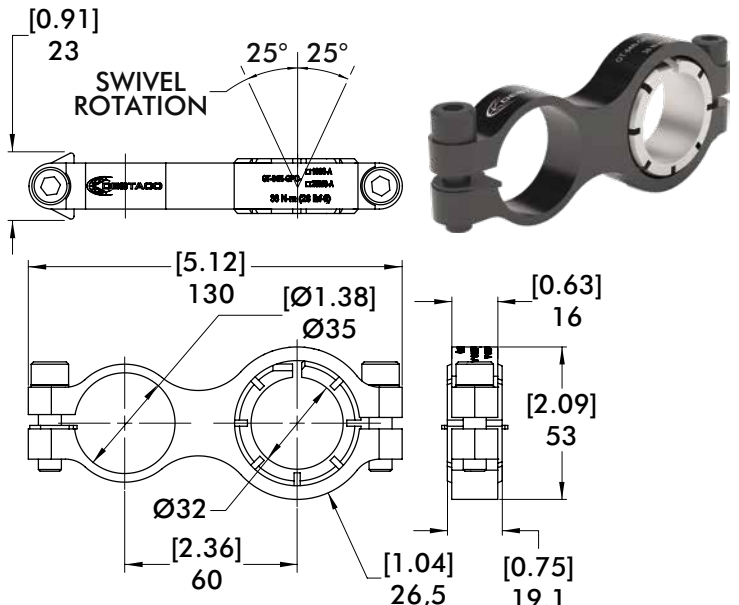
# 84N1, 84N2 MOUNTS

Accelerate® Press Shop Sheet Metal Grippers | Dimensions and Ordering Information

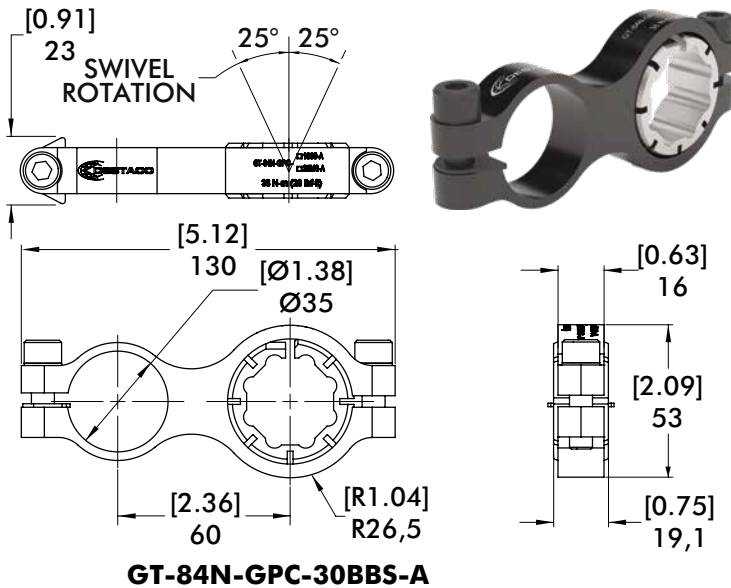
## Parallel Swivel Mounts



ØD=1.00 in. **GT-84N-GPC-100S-A**  
 ØD=25mm **GT-84N-GPC-25MS-A**



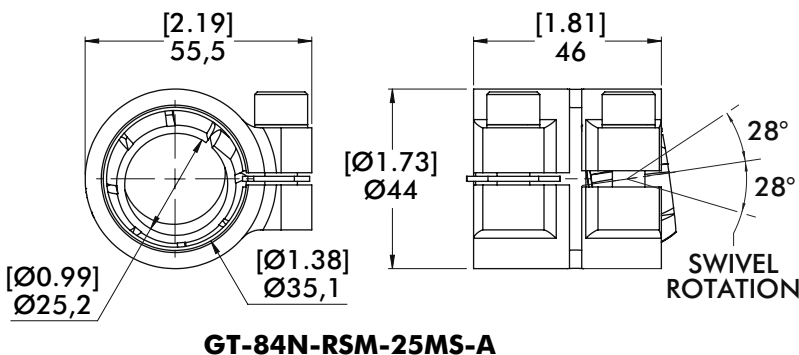
**GT-84N-GPC-125S-A**



**GT-84N-GPC-30BBS-A**

| Parallel Swivel Mount          | Part #                    |
|--------------------------------|---------------------------|
| 1 in. Swivel Mount             | <b>GT-84N-GPC-100S-A</b>  |
| 1-1/4 in. Swivel Mount         | <b>GT-84N-GPC-125S-A</b>  |
| 25mm Swivel Mount              | <b>GT-84N-GPC-25MS-A</b>  |
| 30mm Body Builder Swivel Mount | <b>GT-84N-GPC-30BBS-A</b> |

## Rear Swivel Mount



**GT-84N-RSM-25MS-A**



| Rear Swivel Mount | Part #                   |
|-------------------|--------------------------|
| 25mm Swivel Mount | <b>GT-84N-RSM-25MS-A</b> |

# 84N5 MOUNTS

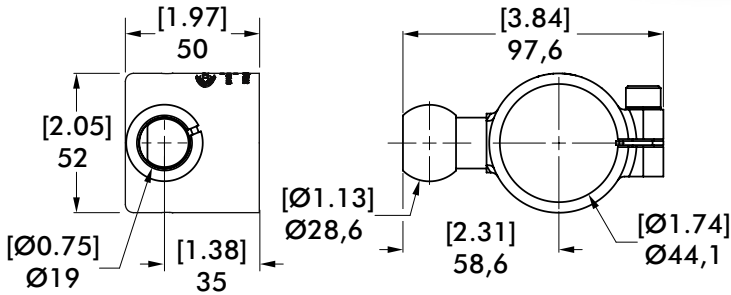
Accelerate® Press Shop Sheet Metal Grippers | Dimensions and Ordering Information

## Side Ball and Apple Core Gripper Mounts

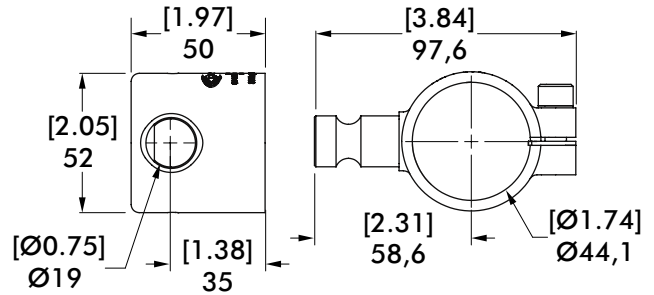
Side Ball



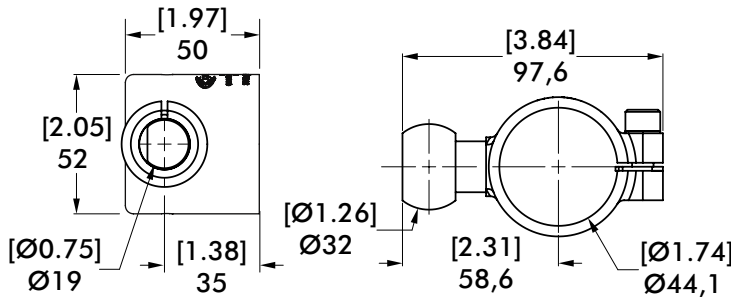
Apple Core



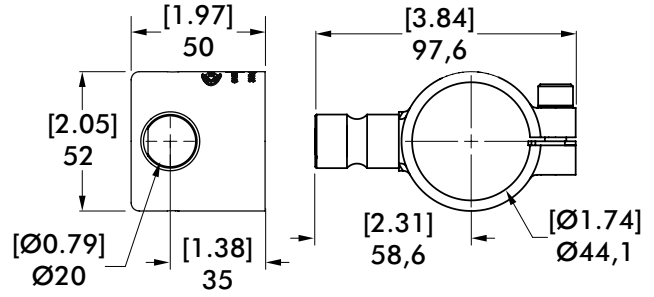
**GT-84N5-B112-A**



**GT-84N5-19M-A**

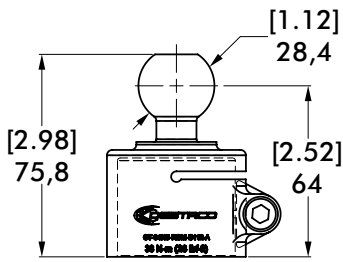


**GT-84N5-32B-A**

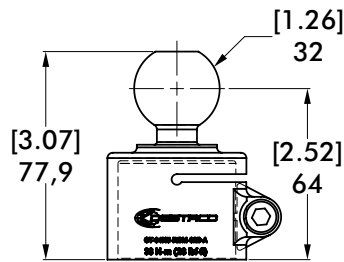


**GT-84N5-20M-A**

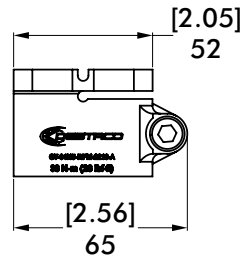
## Rear Ball and Flange Gripper Mounts



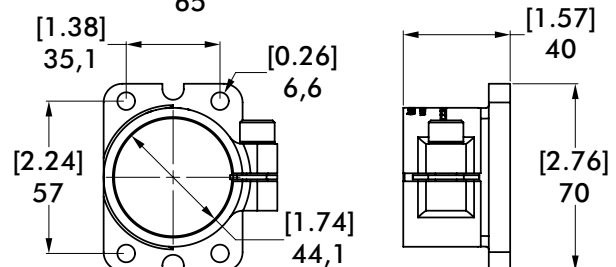
**GT-84N5-RBM-B112-A**



**GT-84N5-RBM-32B-A**

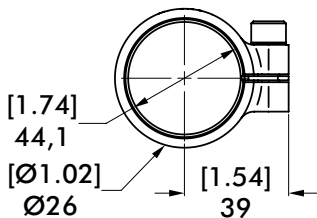


Rear Flange



**GT-84N5-RFM-2213-A**

Rear Ball



### Side Ball and Apple Core

### Part #

- 1.125 in. (28.5mm) Side Ball
- 32mm Side Ball
- 19mm Applecore
- 20mm Applecore

- GT-84N5-B112-A**
- GT-84N5-32B-A**
- GT-84N5-19M-A**
- GT-84N5-20M-A**

### Rear Ball and Flange

### Part #

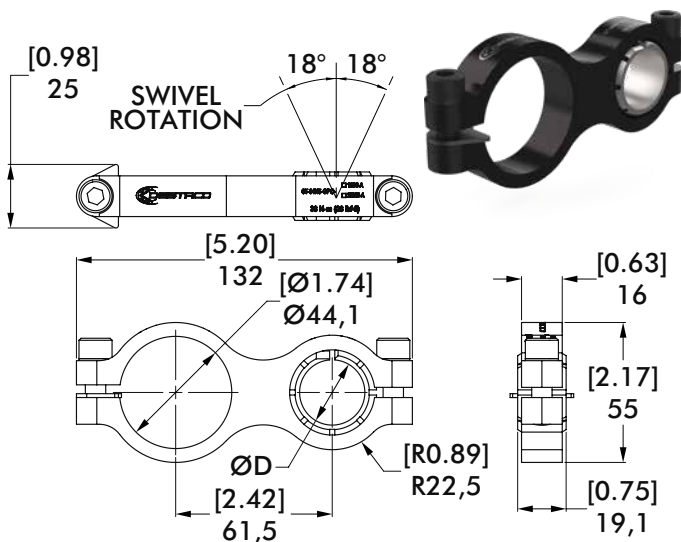
- 1.125 in. (28.5mm) Rear Ball
- 32mm Rear Ball
- Rear Flange

- GT-84N5-RBM-B112-A**
- GT-84N5-RBM-32B-A**
- GT-84N5-RFM-2213-A**

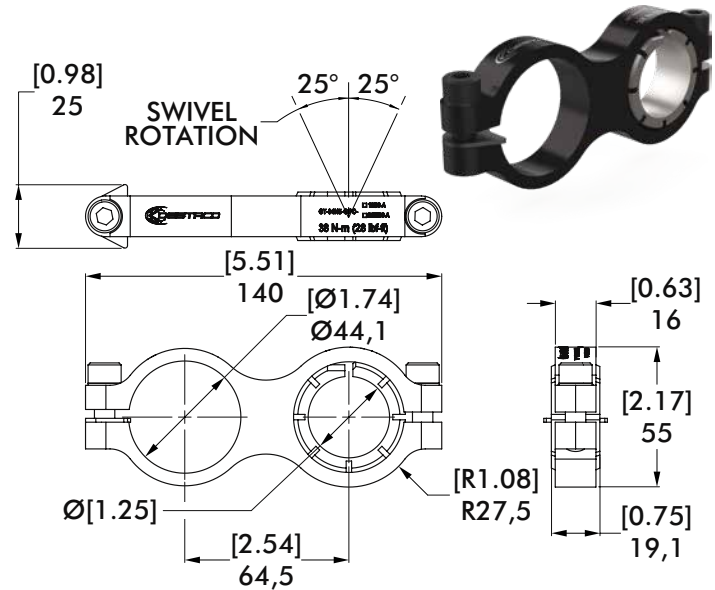
# 84N5 MOUNTS

Accelerate® Press Shop Sheet Metal Grippers | Dimensions and Ordering Information

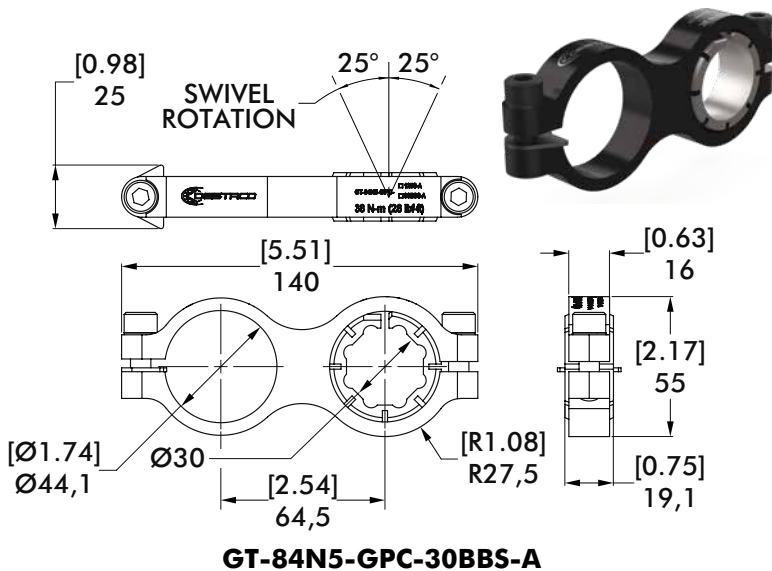
## Parallel Swivel Gripper Mount



ØD= 1.00 in. **GT-84N5-GPC-100S-A**  
 ØD= 25mm. **GT-84N5-GPC-25MS-A**



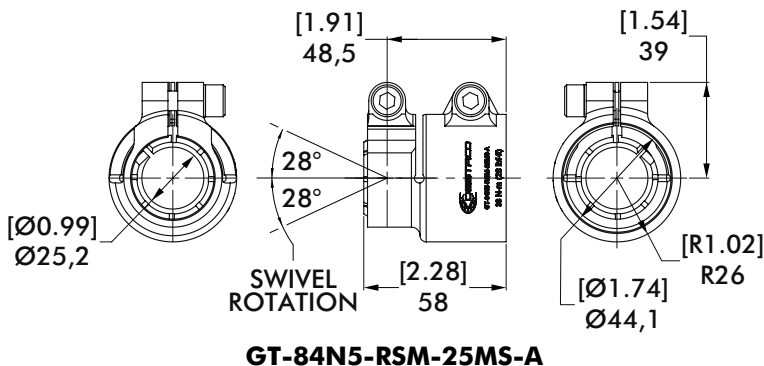
**GT-84N5-GPC-125S-A**



**GT-84N5-GPC-30BBS-A**

| Parallel Swivel Mounts         | Part #                     |
|--------------------------------|----------------------------|
| 1" Swivel Mount                | <b>GT-84N5-GPC-100S-A</b>  |
| 1-1/4" Swivel Mount            | <b>GT-84N5-GPC-125S-A</b>  |
| 25mm Swivel Mount              | <b>GT-84N5-GPC-25MS-A</b>  |
| 30mm Body Builder Swivel Mount | <b>GT-84N5-GPC-30BBS-A</b> |

## Rear Clamp Swivel Mount



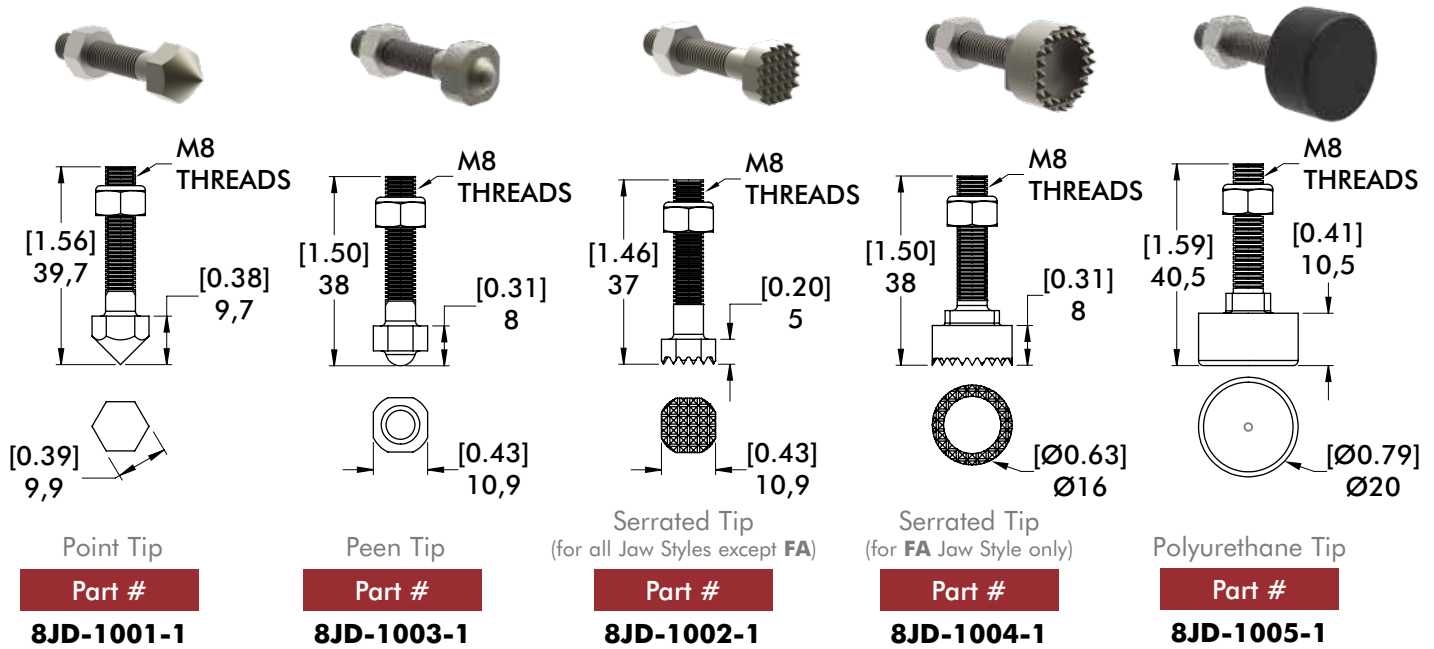
**GT-84N5-RSM-25MS-A**



| Rear Swivel Mount | Part #                    |
|-------------------|---------------------------|
| 25mm Swivel Mount | <b>GT-84N5-RSM-25MS-A</b> |

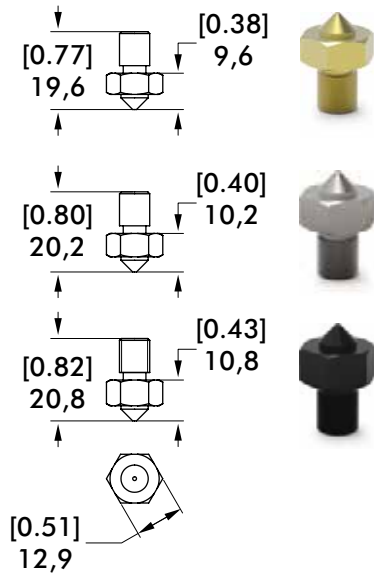
# 84N1 SINGLE TIPS

Accelerate® Press Shop Sheet Metal Grippers | Dimensions and Ordering Information

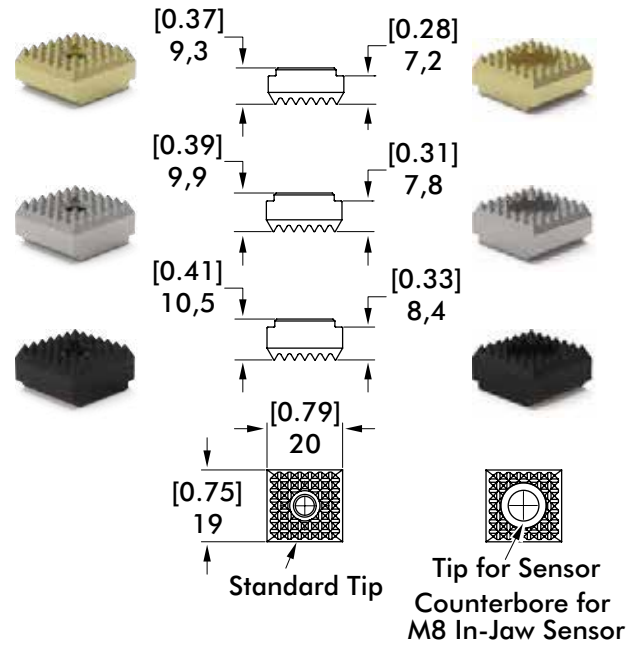


# 84N2, 84N5 SINGLE TIPS

Accelerate® Press Shop Sheet Metal Grippers | Dimensions and Ordering Information

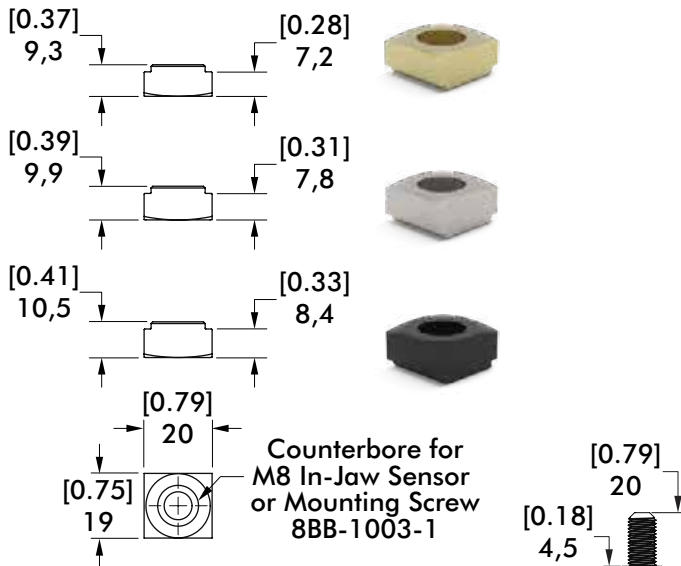


| Single Cone | Part #            |
|-------------|-------------------|
| Gold        | <b>8JD-1013-1</b> |
| Silver      | <b>8JD-1012-1</b> |
| Black       | <b>8JD-1011-1</b> |

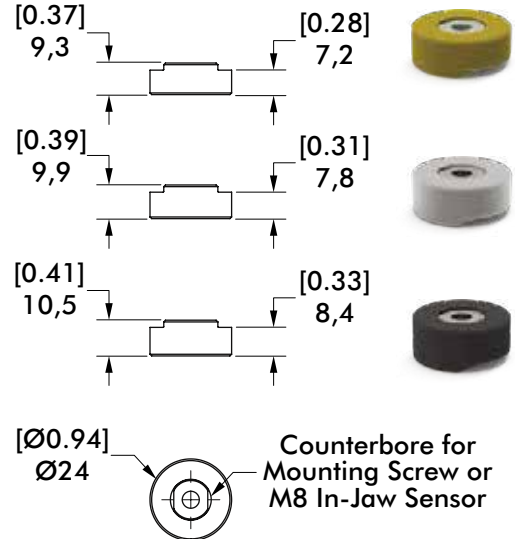


| Single Serrated | Standard Tip      | Tip for Sensor    |
|-----------------|-------------------|-------------------|
| Gold            | <b>8JD-1019-1</b> | <b>8JD-1028-1</b> |
| Silver*         | <b>8JD-1018-1</b> | <b>8JD-1027-1</b> |
| Black*          | <b>8JD-1017-1</b> | <b>8JD-1026-1</b> |

\*Includes optional shims for use with **SC** and **DC** chisel jaw options.



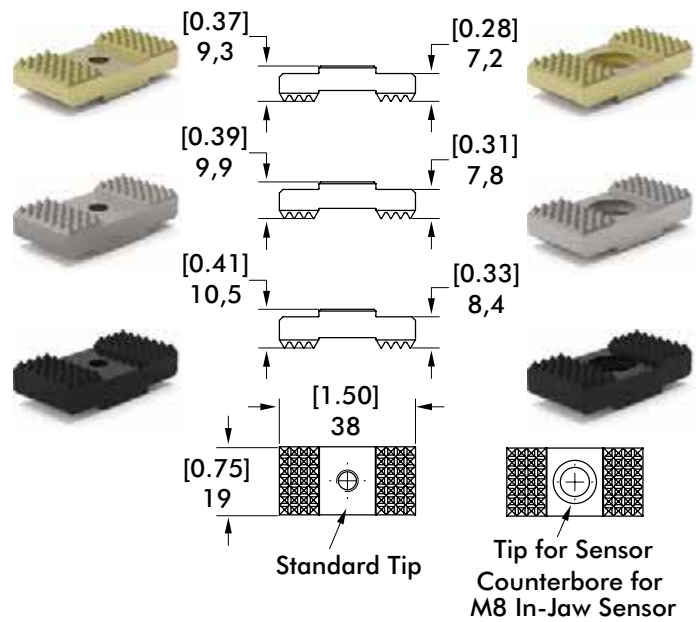
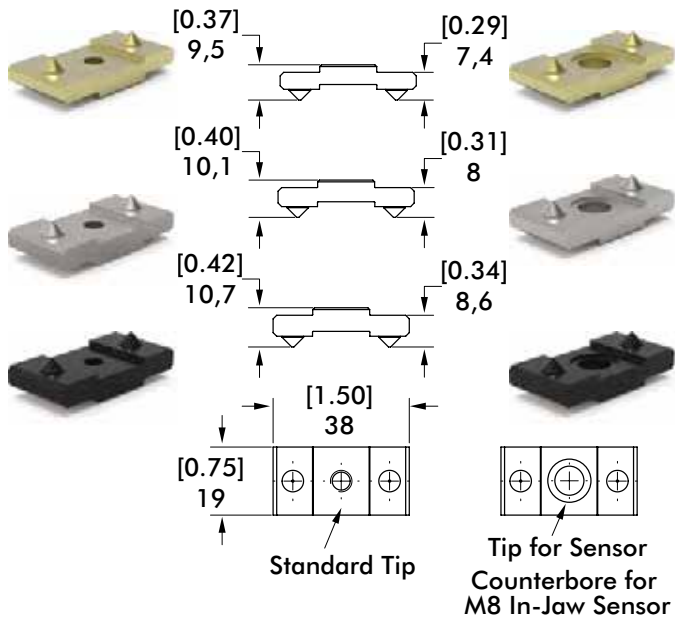
| Single Flat    | Part #            |
|----------------|-------------------|
| Gold           | <b>8JD-1039-1</b> |
| Silver         | <b>8JD-1038-1</b> |
| Black          | <b>8JD-1037-1</b> |
| Mounting Screw | <b>8BB-1003-1</b> |



| Single Polyurethane | Part #            |
|---------------------|-------------------|
| Gold                | <b>8JD-1042-1</b> |
| Silver              | <b>8JD-1041-1</b> |
| Black               | <b>8JD-1040-1</b> |

# 84N2, 84N5 DOUBLE TIPS

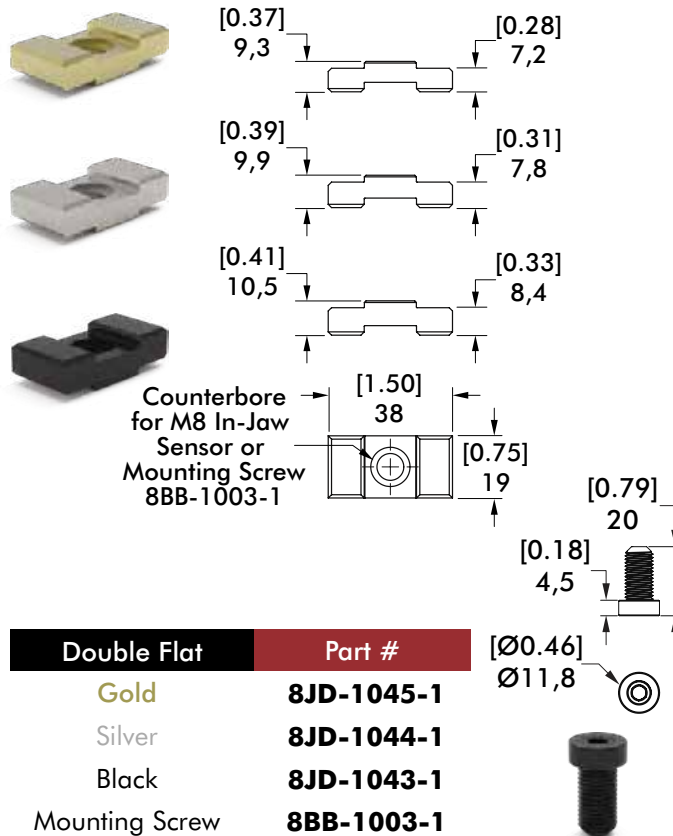
Accelerate® Press Shop Sheet Metal Grippers | Dimensions and Ordering Information



| Double Cone | Standard Tip      | Tip for Sensor    |
|-------------|-------------------|-------------------|
| Gold        | <b>8JD-1016-1</b> | <b>8JD-1025-1</b> |
| Silver      | <b>8JD-1015-1</b> | <b>8JD-1024-1</b> |
| Black       | <b>8JD-1014-1</b> | <b>8JD-1023-1</b> |

| Double Serrated | Standard Tip      | Tip for Sensor    |
|-----------------|-------------------|-------------------|
| Gold            | <b>8JD-1022-1</b> | <b>8JD-1036-1</b> |
| Silver*         | <b>8JD-1021-1</b> | <b>8JD-1035-1</b> |
| Black*          | <b>8JD-1020-1</b> | <b>8JD-1034-1</b> |

\*Includes optional shims for use with SC and DC chisel jaw options.



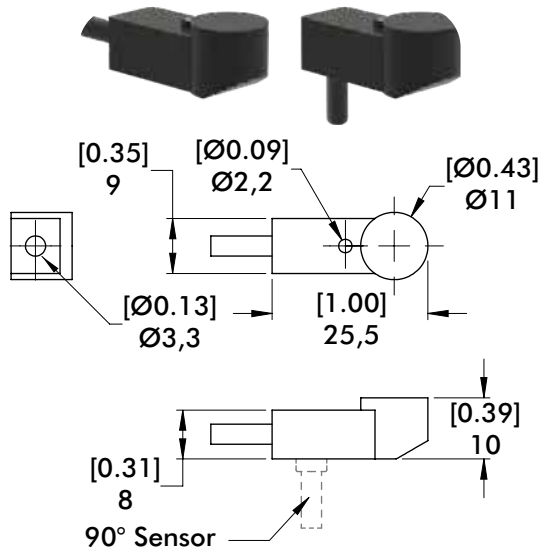
| Double Flat    | Part #            |
|----------------|-------------------|
| Gold           | <b>8JD-1045-1</b> |
| Silver         | <b>8JD-1044-1</b> |
| Black          | <b>8JD-1043-1</b> |
| Mounting Screw | <b>8BB-1003-1</b> |



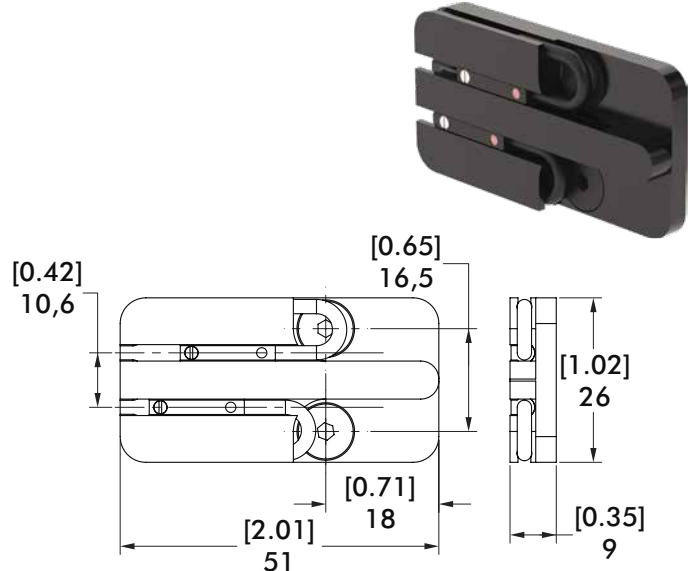
# 84N1, 84N2 SENSING OPTIONS

Accelerate® Press Shop Sheet Metal Grippers | Dimensions and Ordering Information

## Jaw Part Present Sensor (84N1 only)



## 2-Point Side Mount Sensing (84N1, 84N2 only)



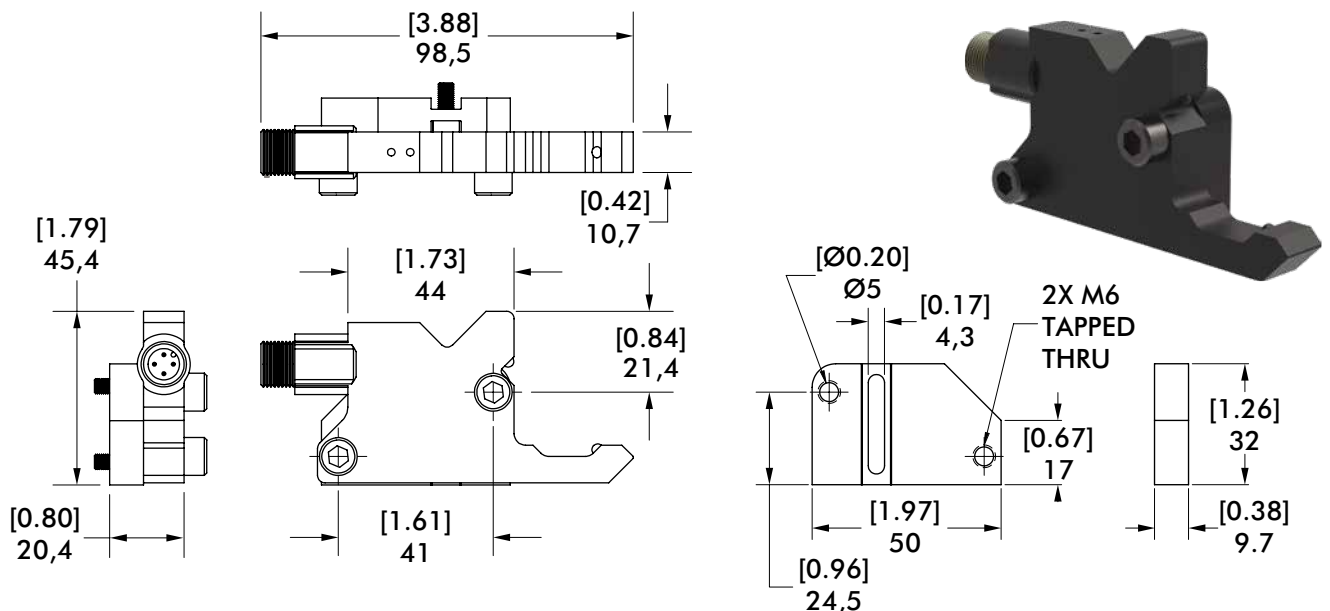
| Description                                 | Part #            |
|---|-------------------|
| PNP Inductive Part Present Sensor Kit       | <b>8EA-1024-1</b> |
| NPN Inductive Part Present Sensor Kit       | <b>8EA-1025-1</b> |
| 90° PNP Inductive Part Present Sensor Kit** | <b>8EA-1027-1</b> |
| 90° NPN Inductive Part Present Sensor Kit** | <b>8EA-1028-1</b> |
| Quick Disconnect 2 Meter Cable Length*      | <b>CABL-010</b>   |
| Quick Disconnect 5 Meter Cable Length*      | <b>CABL-013</b>   |

\*Sensor and cable sold separately. \*\*for 84N1 PC Jaw Style only.

| Description                                       | Part #            |
|---|-------------------|
| PNP Magneto-Resistive Sensor Kit (Inc. 2 Sensors) | <b>8EA-1035-1</b> |
| NPN Magneto-Resistive Sensor Kit (Inc. 2 Sensors) | <b>8EA-1036-1</b> |
| 4mm PNP Magneto-Resistive Sensor Only (Qty. 1)    | <b>OHSP-017</b>   |
| 4mm NPN Magneto-Resistive Sensor Only (Qty. 1)    | <b>OHSN-017</b>   |
| Quick Disconnect 2 Meter Cable Length*            | <b>CABL-010</b>   |
| Quick Disconnect 5 Meter Cable Length*            | <b>CABL-013</b>   |

\*Sensor and cable sold separately.

## Infrared Part Present Sensor and Mounting Adapter (84N1, 84N2 only)

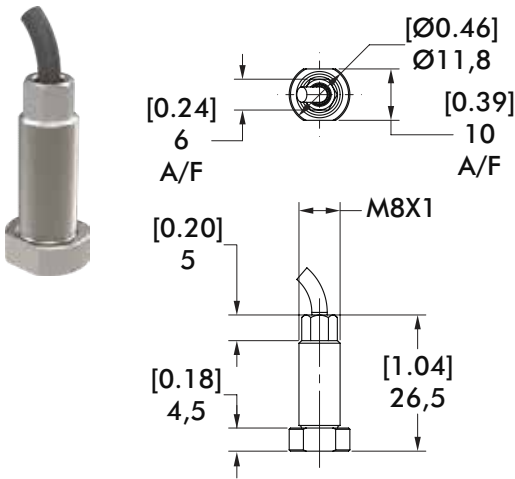


| Description                                | Part #            |
|--|-------------------|
| 84N1/84N2 Infrared Part Present Sensor Kit | <b>8EA-1023-1</b> |

# 84N2, 84N5 SENSING OPTIONS

Accelerate® Press Shop Sheet Metal Grippers | Dimensions and Ordering Information

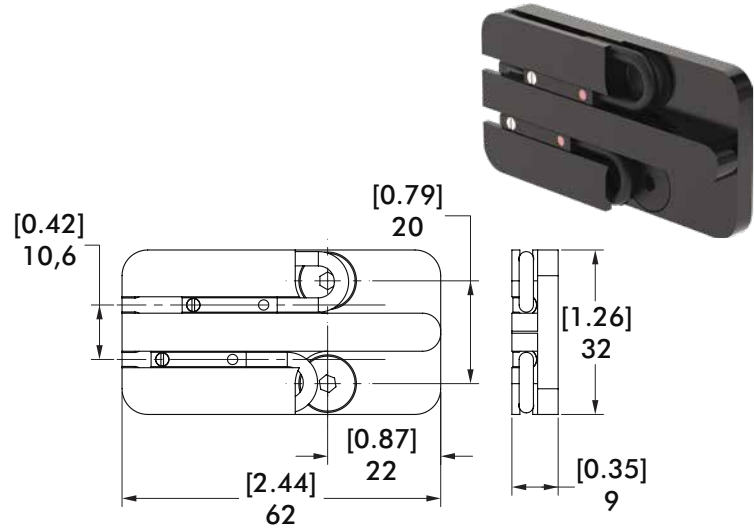
## In-Jaw Part Sensor (84N2, 84N5 only)



| Description                       | Part #            |
|-----------------------------------|-------------------|
| PNP Inductive In-Jaw Sensor       | <b>8EA-1033-1</b> |
| NPN Inductive In-Jaw Sensor       | <b>8EA-1034-1</b> |
| Quick Disconnect 2M Cable Length* | <b>CABL-010</b>   |
| Quick Disconnect 5M Cable Length* | <b>CABL-013</b>   |

\*Sensor and cable sold separately.

## 2-Point Side Mount Sensing (84N5 only)

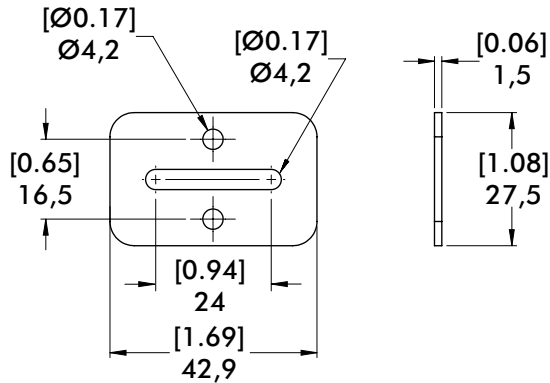


| Description                                       | Part #            |
|---|-------------------|
| PNP Magneto-Resistive Sensor Kit (Inc. 2 Sensors) | <b>8EA-1052-1</b> |
| NPN Magneto-Resistive Sensor Kit (Inc. 2 Sensors) | <b>8EA-1053-1</b> |
| 4mm PNP Magneto-Resistive Sensor Only (Qty. 1)    | <b>OHSP-017</b>   |
| 4mm NPN Magneto-Resistive Sensor Only (Qty. 1)    | <b>OHSN-017</b>   |
| Quick Disconnect 2M Cable Length*                 | <b>CABL-010</b>   |
| Quick Disconnect 5M Cable Length*                 | <b>CABL-013</b>   |

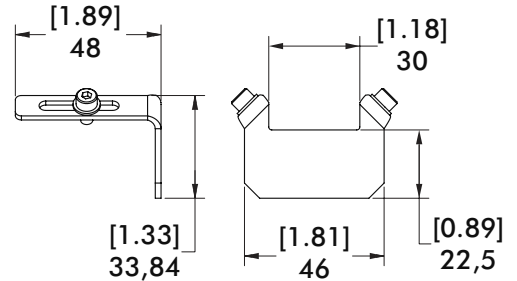
\*Sensor and cable sold separately.

# 84N ACCESSORIES

## Accelerate® Press Shop Sheet Metal Grippers | Dimensions and Ordering Information



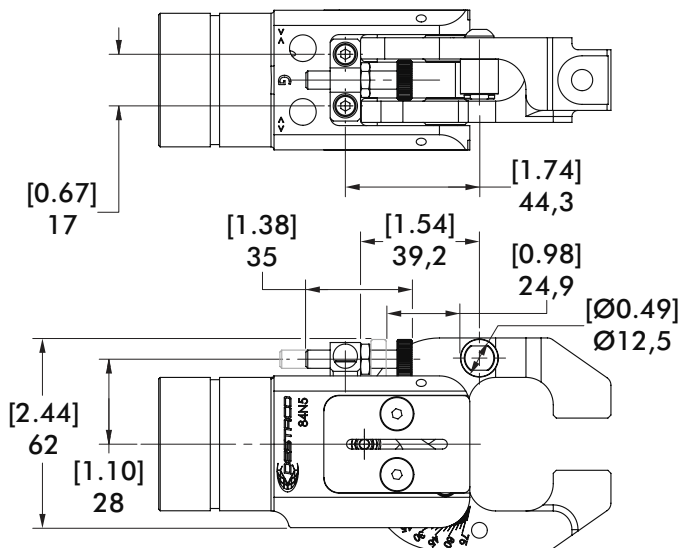
### Sheet Stop Options



| Description   | Part #            |
|---|-------------------|
| 84N1/84N2 Sheet Stop Kit<br>Includes socket head cap mounting screws. | <b>8MH-1003-1</b> |

| Description  | Part #            |
|--|-------------------|
| 84N5 Sheet Stop Kit<br>Includes socket head cap mounting screws. | <b>8MH-1053-1</b> |

### Opening Angle Adjustment Kit (84N5 only\*)



| Description  | Part #            |
|--|-------------------|
| 84N5 Opening Angle Adjustment Kit<br>Includes mounting screws. *For FA, PA and DA models -075 and -ADJ only. | <b>8MH-1052-1</b> |

### Seal Kits



| Description  | Part #          |
|--|-----------------|
| 84N1/84N2 Seal Kit   | <b>SLKT-478</b> |
| 84N5 Seal Kit  | <b>SLKT-479</b> |
| Includes shock pad, rod u-cup seal, o-ring cap, piston seal and retainer ring. |                 |