

# 84L2-1 SERIES

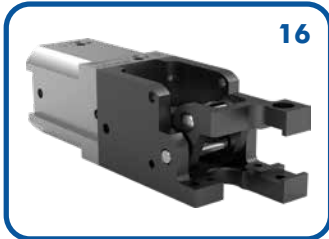
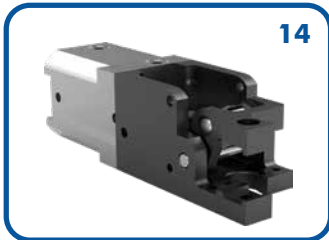
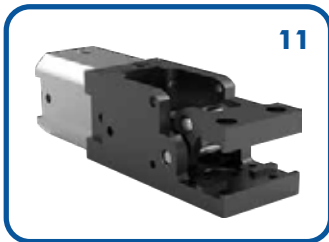
## Cam Type Sheet Metal Grippers | Ordering Information

84L2 - 11 D4 W (Lower) BA (Upper) BA

### Jaw Arrangement Options

**Description**

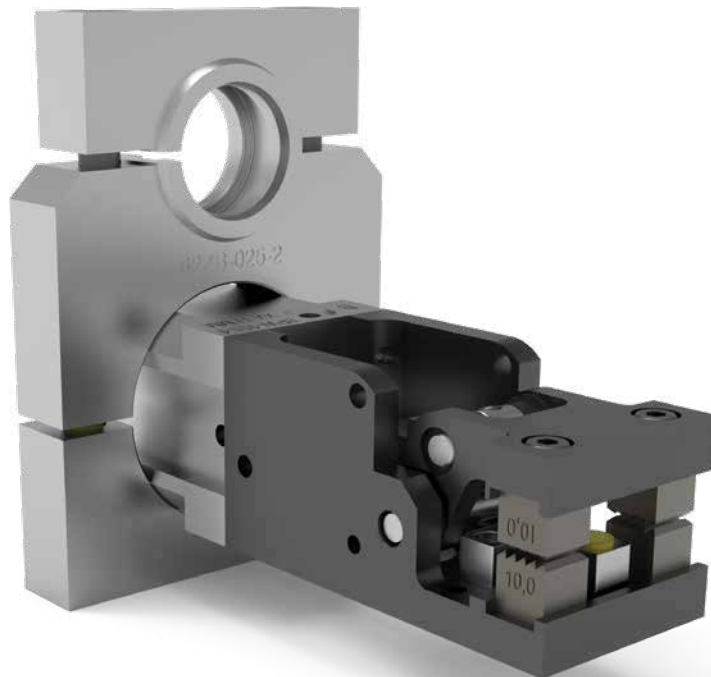
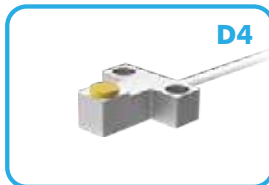
- 11** Double
- 14** Single, Right
- 16** Single, Left



### Sensor Options

**Description**

- 00** None
- D4** Part Present Sensor, 3mm Sensing Distance, 2m Cable 8EA-075-2
- D7** Part Present Sensor, 3mm Sensing Distance, M12x1 Plug 8EA-075-3



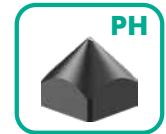
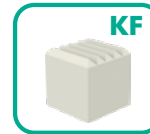
# 84L2-1 SERIES

## Cam Type Sheet Metal Grippers | Ordering Information

### Gripper Teeth Options

#### Upper Teeth Options

- 00** None
- BA** Hardened - 8JZ-027-1
- BB** Soft Steel - 8JZ-028-1
- KF** 90 Shore - 8JZ-045-2
- PH** Hardened - 8JZ-029-1



#### Lower Teeth Options

- 00** None
- BA** Hardened - 8JZ-027-1
- BB** Soft Steel - 8JZ-028-1
- KF** 90 Shore - 8JZ-045-2



Shims for gripper teeth available  
Order Separately **8SB-039-1**  
Dimensions: 10 x 10 x 0,1 mm

### Mounting Options

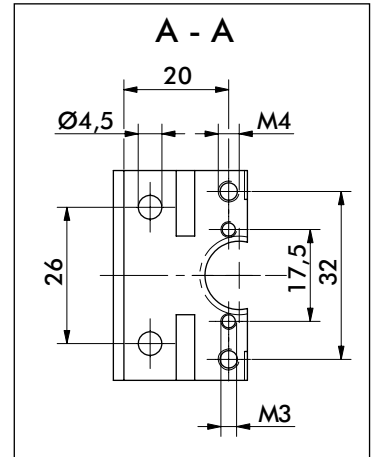
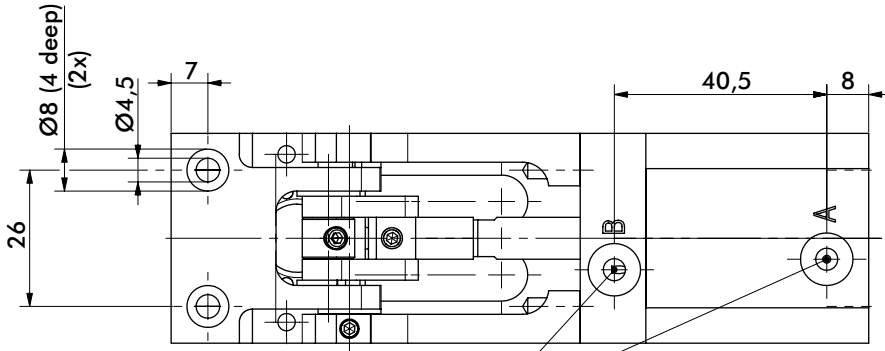
#### Description

- 0** None
- I** Ø20mm Rear Rod - 8MA-165-1
- J** Ø25mm Rear Rod - 8MA-166-1
- Z** Ø1.00" Rear Rod - 8MA-168-1
- V** Rear Flange - 8MA-147-1
- W** On-Body Swivel Ball - 82ZB-025-2

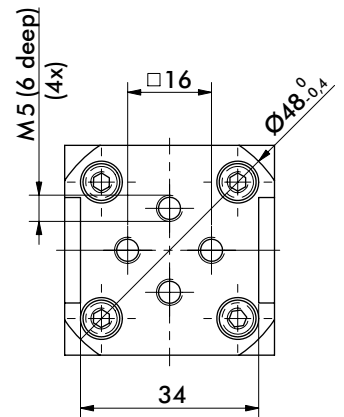
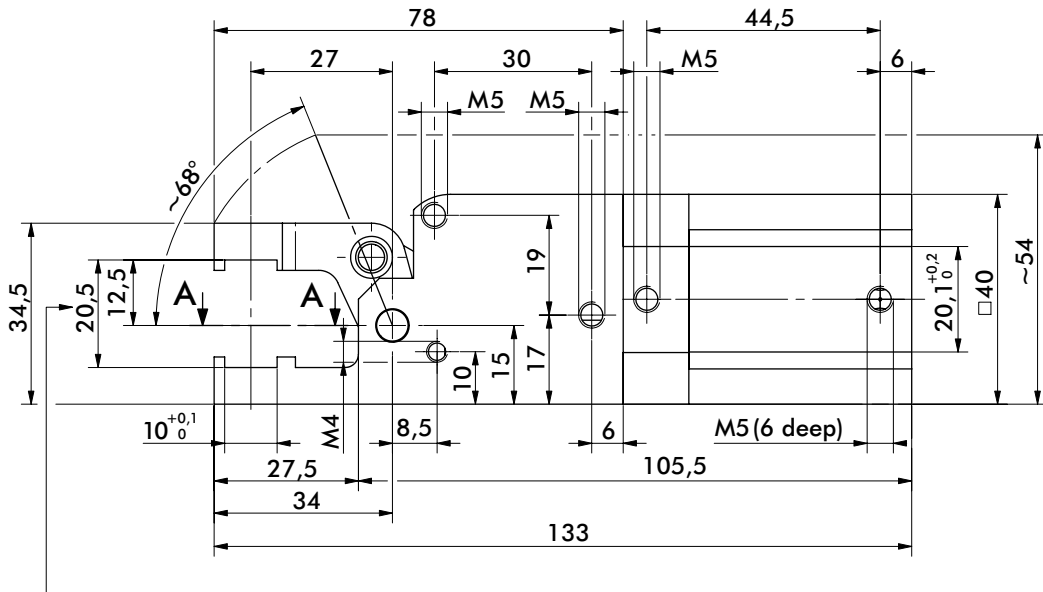


# 84L2-11 SERIES

## Cam Type Sheet Metal Grippers | Dimensions and Technical Specifications



Air connection M5. Turning cylinder-air connection possible in 4x 90° increments.



Addition of gripper teeth height and thickness of the clamped plate must be 20,5 mm. It might be necessary to use shim plates or to grind off the gripper teeth.

Medium air, max. 6 bar. Operation with oil-free air is permissible.

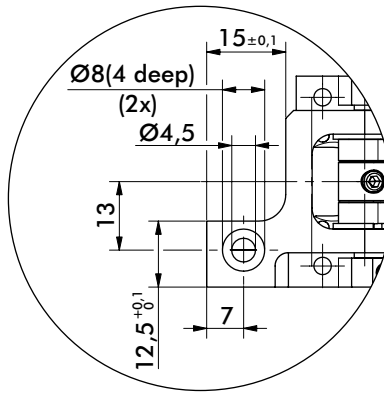
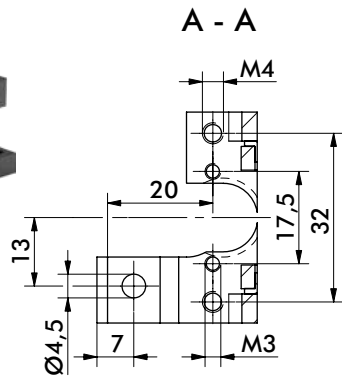
NOTE! Any extension of the moveable or fixed gripper jaws as well as the additional attachment of weights will void warranty.

Model	Clamping Force at 5 bar ~N [lbs]	Piston mm [in.]	Air Consumption per Double Stroke at 5 bar [L]	Weight Kg [lbs]	Acuation Time Open/Close Sec.
84L2-11	74 [16.6]	25 [0.98]	0,19	0,4 [0.88]	0.2

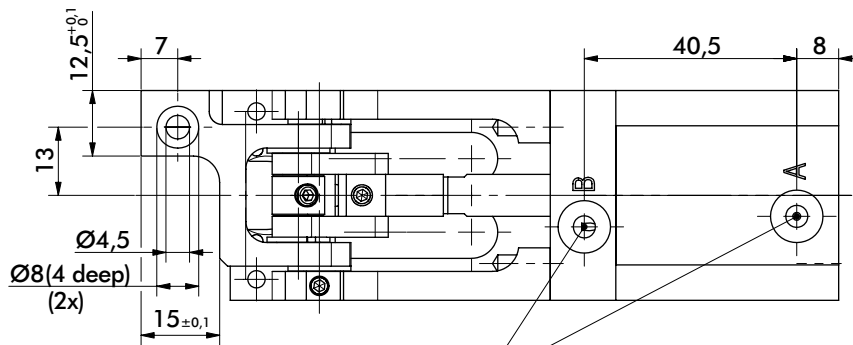
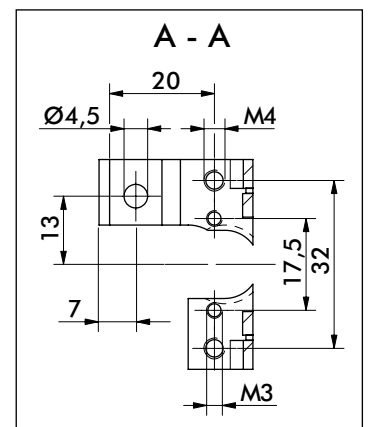
# 84L2-14/84L2-16 SERIES

## Cam Type Sheet Metal Grippers | Dimensions and Technical Specifications

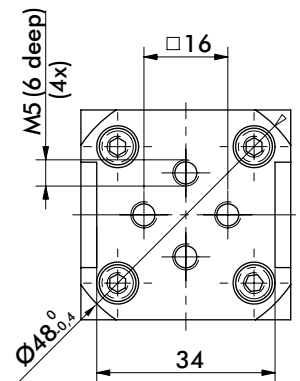
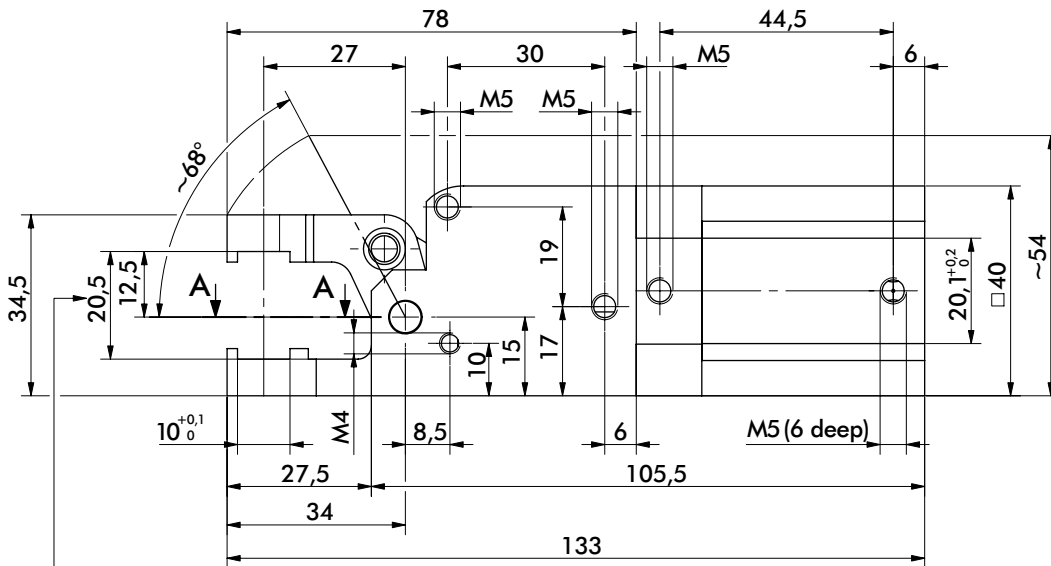
84L2-16 (Left Jaw)



84L2-14 (Right Jaw)



Air connection M5. Turning cylinder-air connection possible in 4x 90° increments.



Addition of gripper teeth height and thickness of the clamped plate must be 20,5 mm. It might be necessary to use shim plates or to grind off the gripper teeth.

Medium air, max. 6 bar. Operation with oil-free air is permissible.

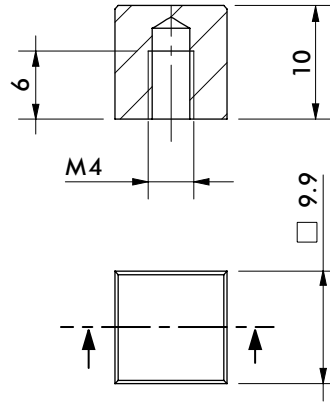
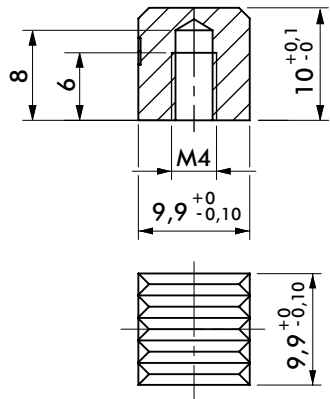
NOTE! Any extension of the moveable or fixed gripper jaws as well as the additional attachment of weights will void warranty.

Model	Clamping Force at 5 bar ~N [lbs]	Piston mm [in.]	Air Consumption per Double Stroke at 5 bar [L]	Weight Kg [lbs]	Acuation Time Open/Close Sec.
84L2-14/84L2-16	74 [16.6]	25 [0.98]	0,19	0,37 [0.82]	0.2

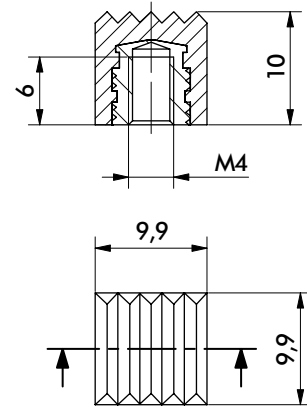
# 84L2-4 SERIES ACCESSORIES

## Cam Type Sheet Metal Grippers | Dimensions and Ordering Information

### Steel Teeth



### Plastic Teeth

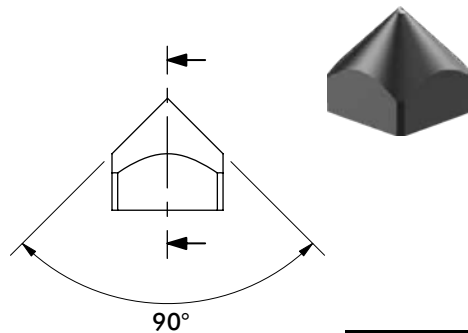
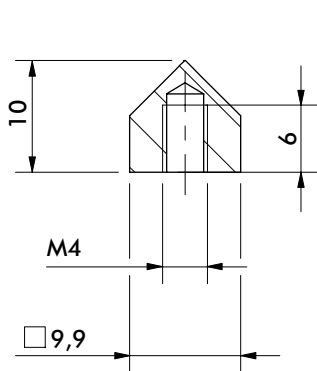


**Hardened Steel Teeth** Part Number  
Serrated **8JZ-027-1**

**Soft Steel Teeth** Part Number  
Non-Serrated **8JZ-028-1**

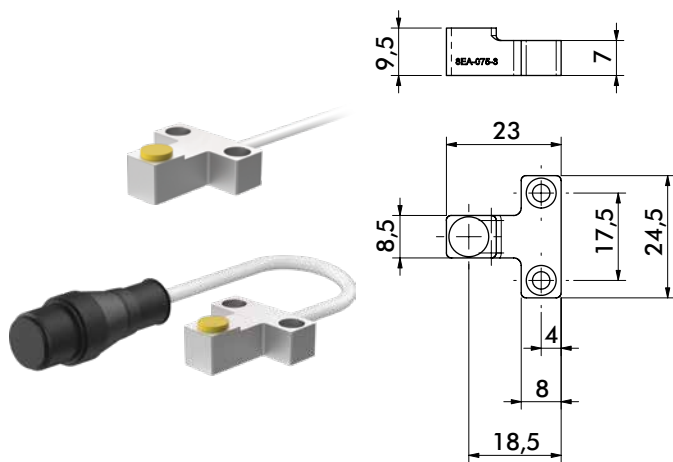
**Plastic Teeth** Part Number  
90 Shore, Serrated **8JZ-045-2**

### Steel Points



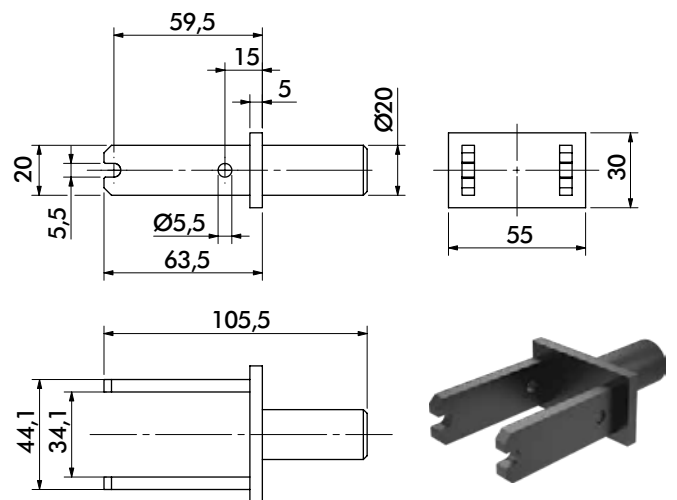
**Hardened Steel Point** Part Number  
Pointed **8JZ-029-1**

### Sensors



**Part Present Sensor** Part Number  
3mm Sensing Distance, 2m Cable **8EA-075-2**  
3mm Sensing Distance, M12X1 **8EA-075-3**

### Mounts

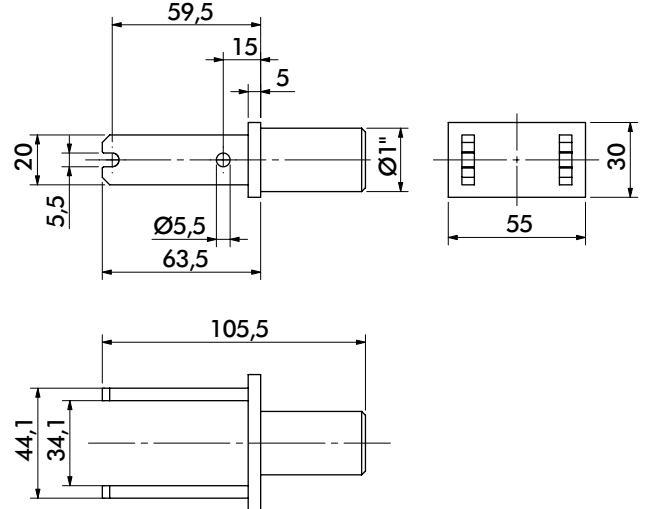
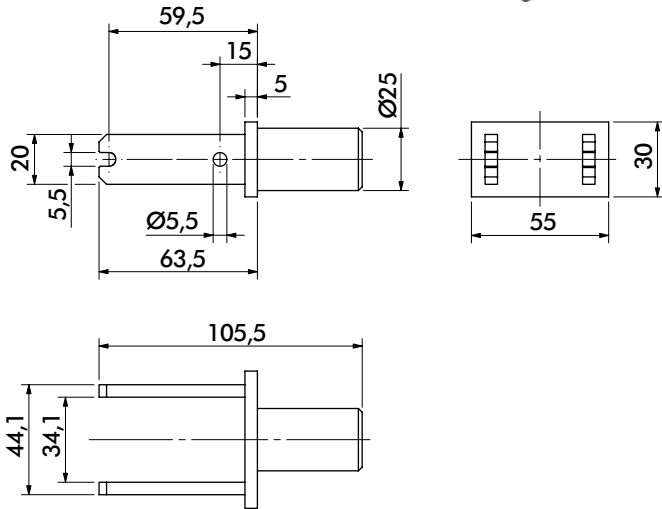


**Mount** Part Number  
Ø20mm Rear Rod **8MA-165-1**

# 84L2-1 ACCESSORIES

## Cam Type Sheet Metal Grippers | Dimensions and Ordering Information

### Mounts



Mount

Part Number

Ø25mm Rear Rod

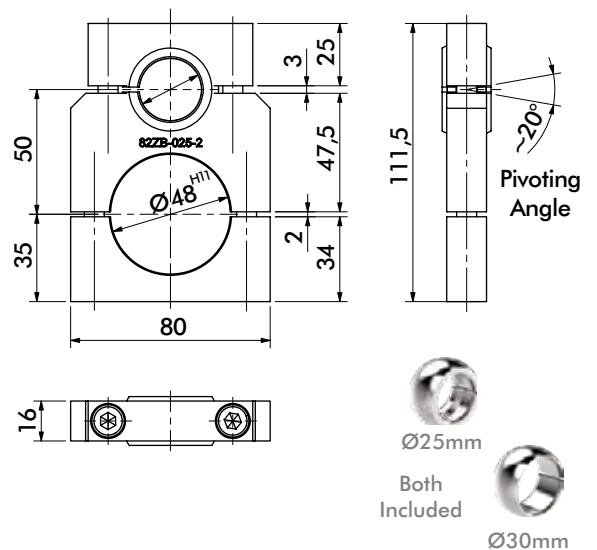
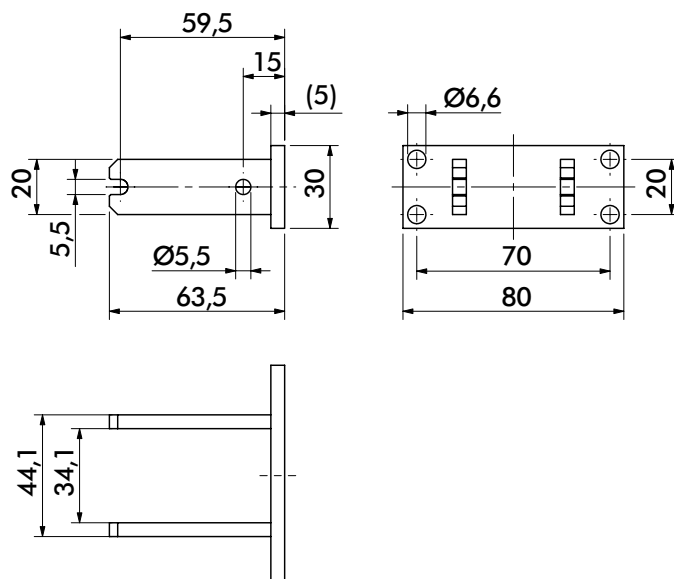
**8MA-166-1**

Mount

Part Number

Ø1.00" Rear Rod

**8MA-168-1**



Mount

Part Number

Rear Flange

**8MA-147-1**

Mount

Part Number

On-Body Swivel Ball

**82ZB-025-2**