

84N1 SERIES

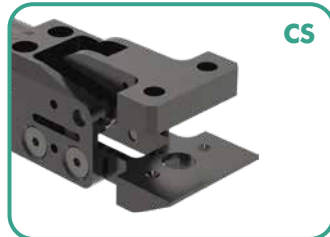
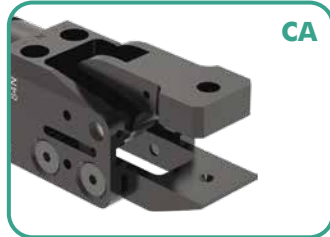
Accelerate® Press Shop Sheet Metal Grippers | Ordering Information



Ports	Description
N	1/8 NPT
G	1/8 BSPP

Opening Angle	Description
030	30° Opening Angle
045	45° Opening Angle
060	60° Opening Angle
075	75° Opening Angle

Jaw Style/ Tip Mount	Description
FA	Fixed Lower 0° Jaw, Single Tip Mount
FC	Fixed Lower 0° Jaw, Double Tip Mount
CA	Fixed Lower Chisel Jaw, Single Tip Mount
CC	Fixed Lower Chisel Jaw, Double Tip Mount
CS	Fixed Lower Chisel Jaw, Double Tip w/Sensor Mount
PC	Fixed Lower 90° Jaw, Double Tip Mount



Specifications: SG-PRG-4

Mounts (sold separately): SG-PRG-19 thru 20

Accessories: SG-PRG-23 thru 28.

84N1 SERIES

Accelerate® Press Shop Sheet Metal Grippers | Ordering Information

Part Presence Detection

0
P
N

Description
None
PNP
NPN



4mm Material Sensing Range

Sheet Stop Description

0
1

None (for **PC** option only)
Required (all jaw options except **PC**)



Left Sensor Side Mount

0 None
1 Dual Magnetoresistive PNP Sensors Left Side
2 Dual Magnetoresistive NPN Sensors Left Side
3 Infrared PNP Sensing (not available for **PC** jaw style)

Right Sensor Side Mount

0 None
1 Dual Magnetoresistive PNP Sensors Right Side
2 Dual Magnetoresistive NPN Sensors Right Side
3 Infrared PNP Sensing (not available for **PC** jaw style)

*Use of a Sheet Stop is highly recommended when using 2-Point Sensing.

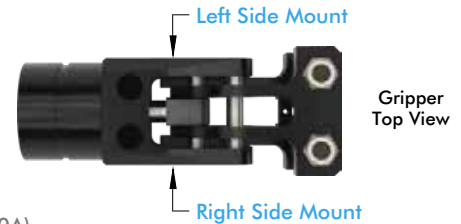


0.5 mm blank minimum sheet thickness. Side mount option 1 & 2 sensing detects gripper jaw position can be adjusted to sense blank, double, full open, and full closed based on jaw position.

Adjustable Jaw Tip Options Upper Jaw Only

00 None
01 Serrated Tip
02* Serrated Notch Tip
03 Point Tip
04 Peen Tip
05 Polyurethane Tip (Durometer 70A)

*02 serrated notch tip (for use with part presence sensing **FA** jaw style only).



Description	Part #	Single Tip Jaw	Double Tip Jaw
Polyurethane Tip	8JD-1005-1	Yes*	Yes
Point Tip	8JD-1001-1	Yes*	Yes
Serrated Tip	8JD-1002-1	Yes*	Yes
Peen Tip	8JD-1003-1	Yes*	Yes
Serrated Notched Tip (for Jaw Style FA only)	8JD-1004-1	Yes	No

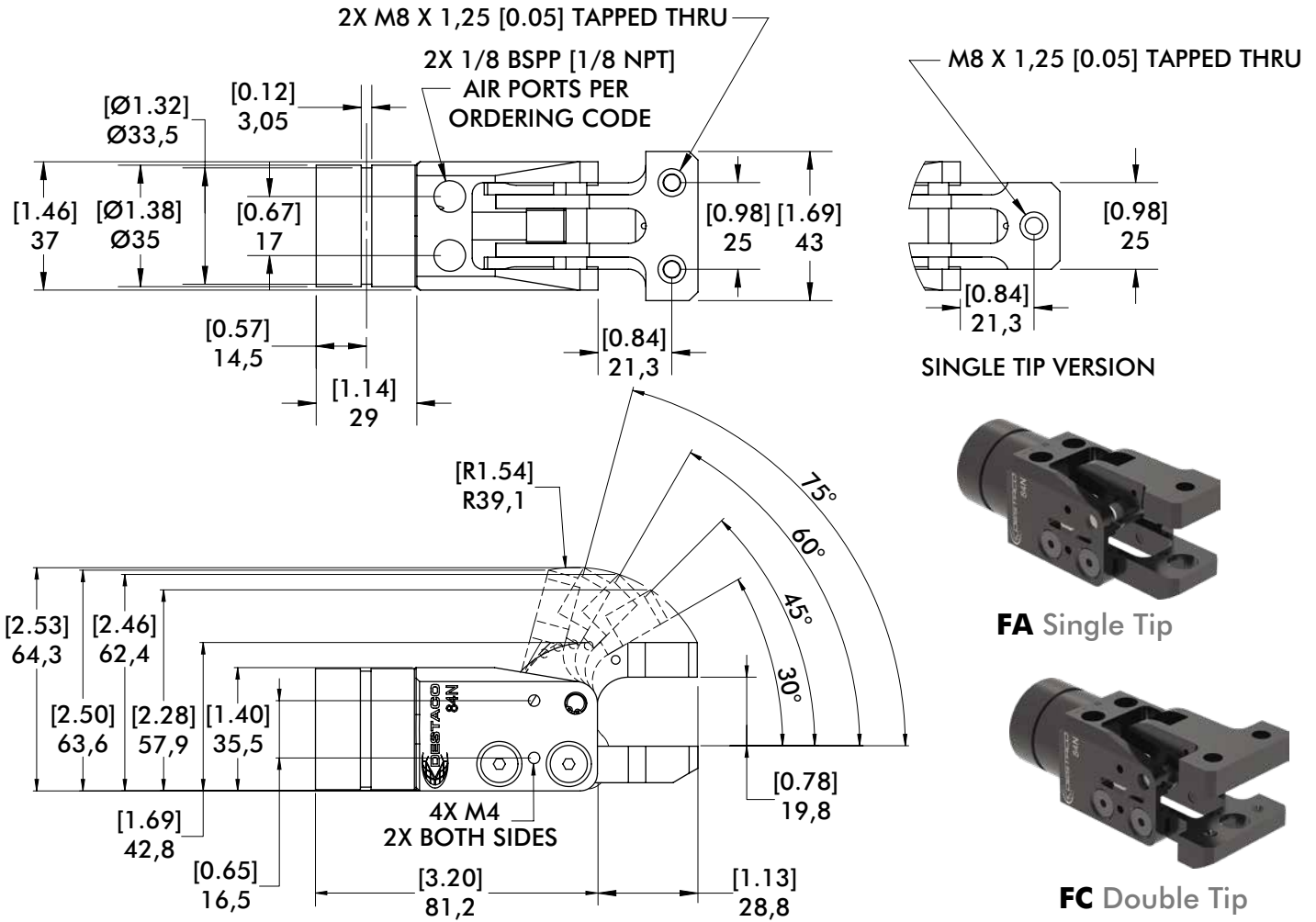
*These tips work with the **FA** jaw type but will cause a false positive signal if the part present sensor is installed.

Customer is responsible for final adjustments and tightening of all accessory mounting screws.

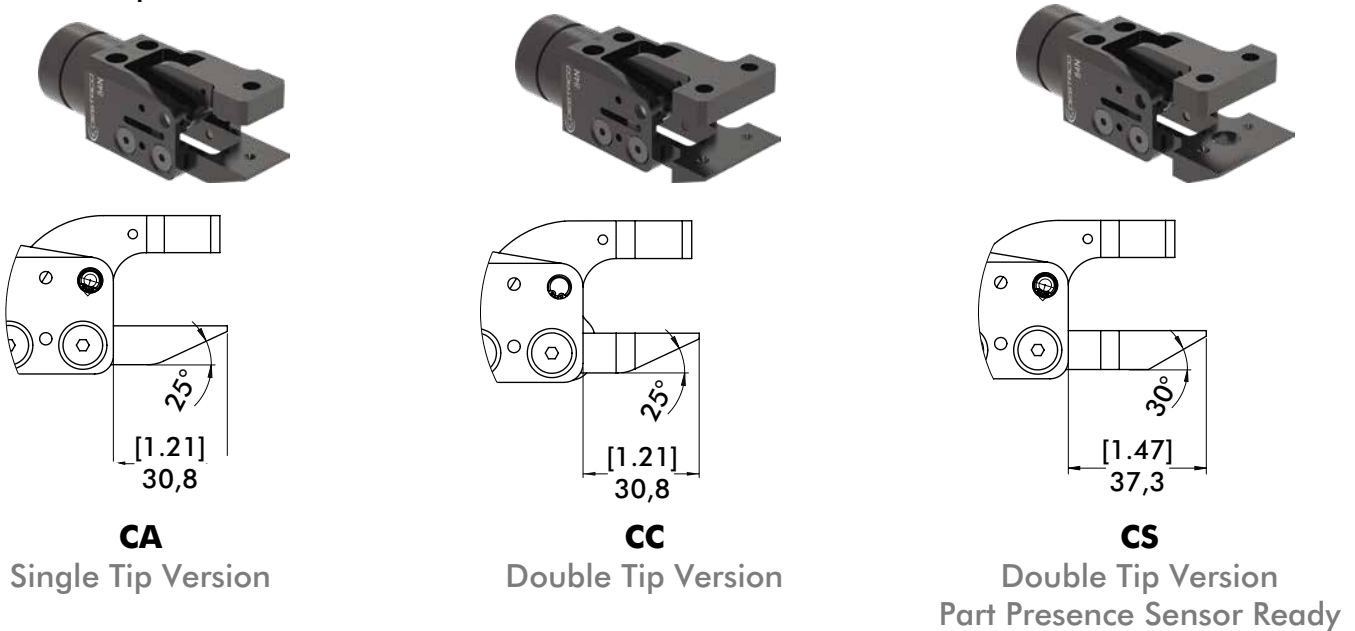
84N1 SERIES

Accelerate® Press Shop Sheet Metal Grippers | Dimensions

FA/FC Options: Standard Jaws



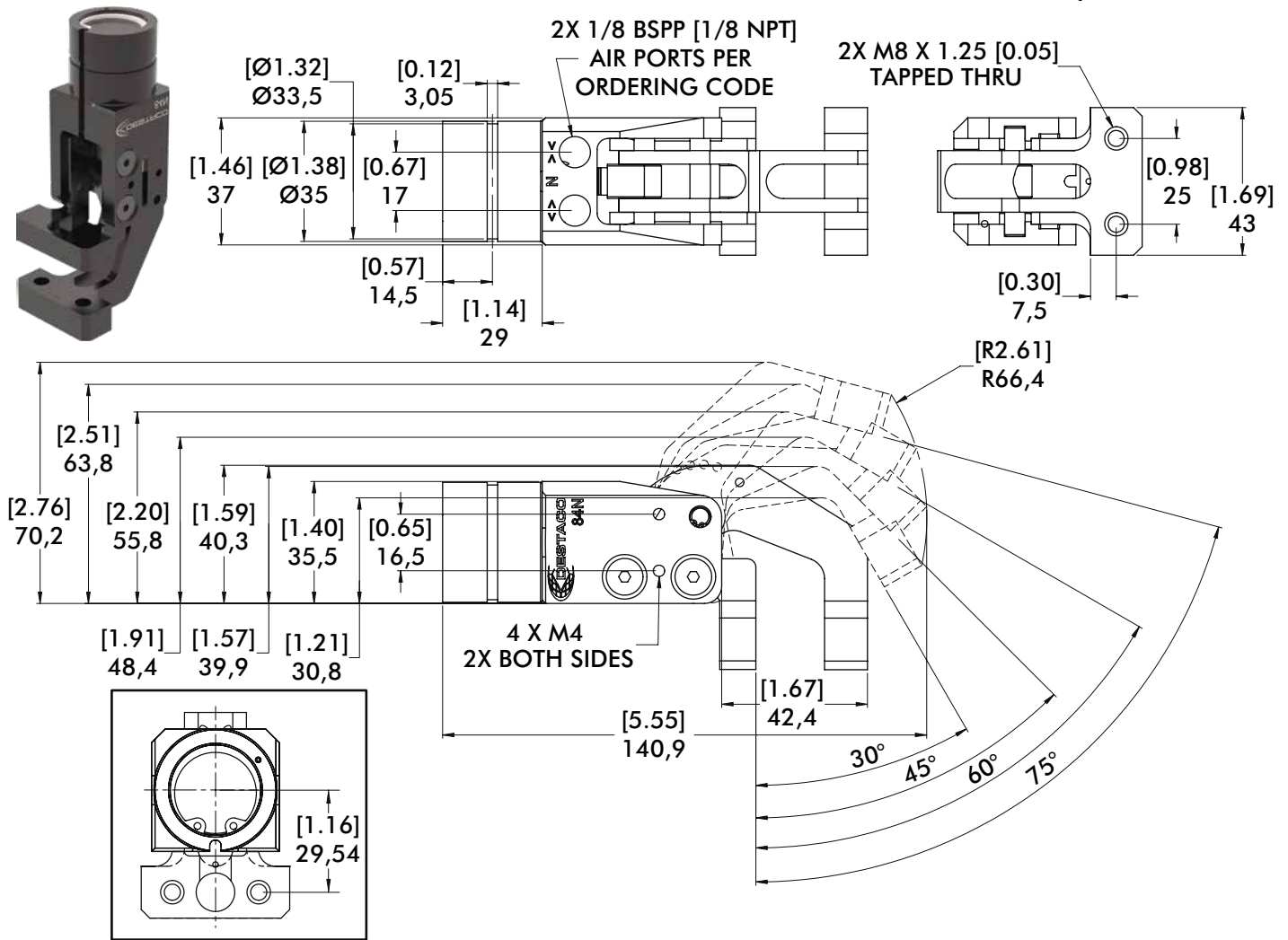
CA/CC/CS Options: Chisel Jaws



84N1 SERIES

Accelerate® Press Shop Sheet Metal Grippers | Dimensions and Ordering Information

PC Option: 90° Jaws



Specifications

Specification	Unit	84N1
Grip Force at 5 bar	N [lbs]	Up to 1000 [225]
Weight (FA jaws - no tips)	Kg [lb]	0.27 [0.6]
Size L x W x H (open)	mm [in]	110 x 43 x 64 [4.33] x [1.69] x [2.52]
Actuation Time	ms	33
Minimum Operating Pressure	bar [psi]	4 [58]
Opening Angles:		
Upper Jaws		30°, 45°, 60°, 75°
Lower Jaws		Fixed
Piston Ø	mm [in]	25 [0.98]
Air Consumption/Cycle	L [in ³]	0,015 [0.92]
Temperature Range	C° [F°]	-35° to 80° [-31° to 176°]