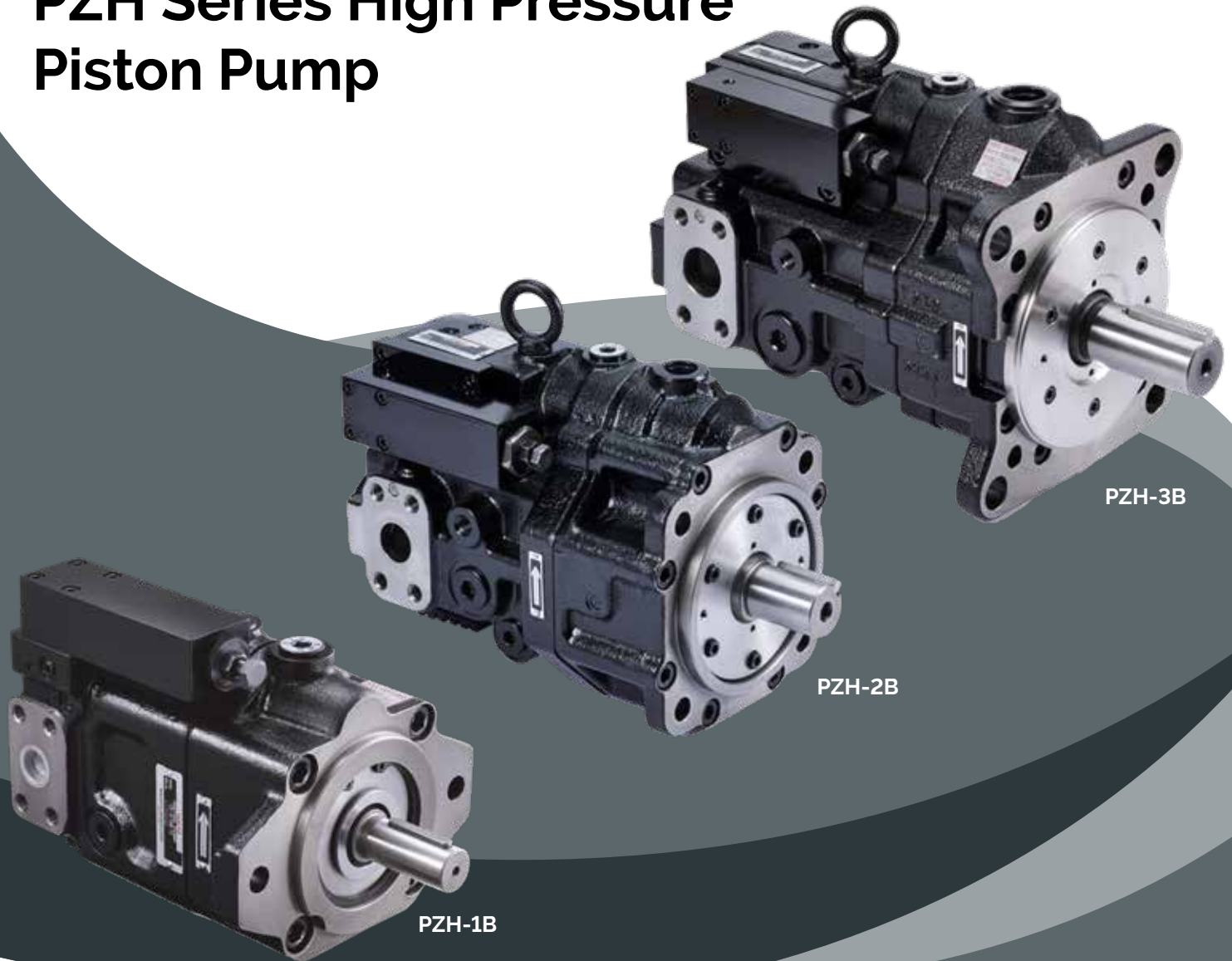


# NACHI

## PZH Series High Pressure Piston Pump



**Max Operating Pressure at 5000 psi**

**Low Noise Level: 70 dB(A) at Full Cut-Off**

**Strong Structure for High Durability**

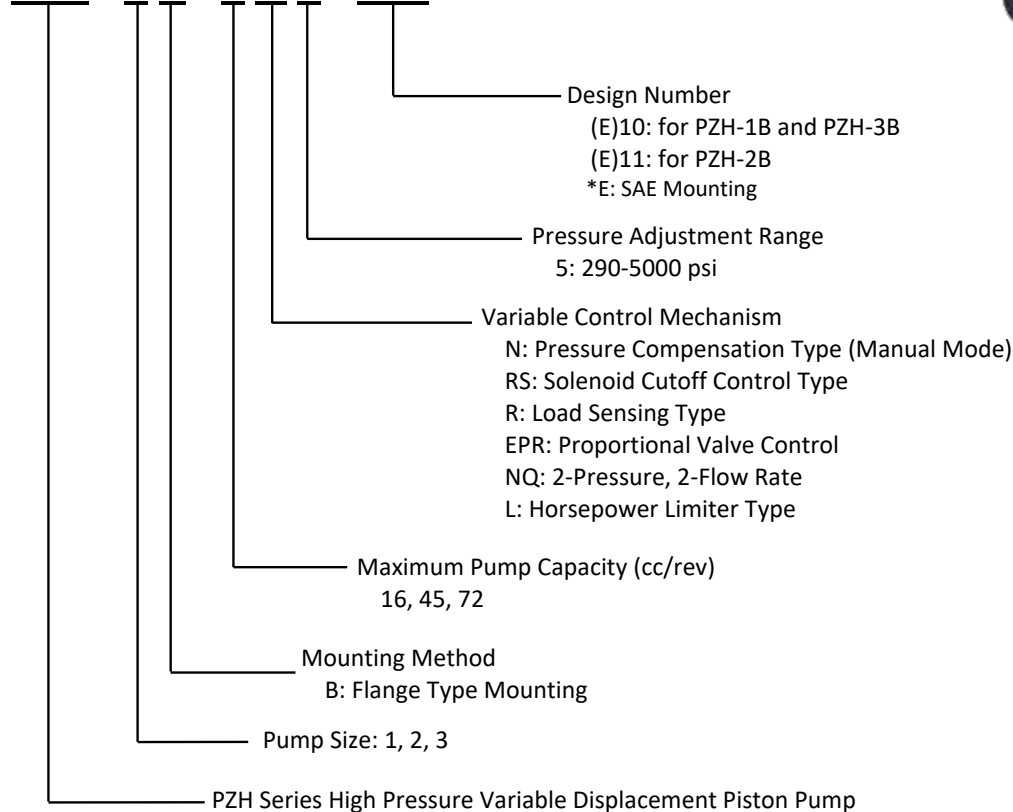


## Features

- Max operating pressure at 5000 psi
- Low noise level: 70 dB(A) at full cut-off at 5000 psi
- Long lifetime with high load resistant Nachi Bearings
- Several variable control mechanisms available

## Explanation of Model Number

**PZH - \* B - \* N 5 - E10**



PZH-2B

## Applications

- Forging Machine
- Injection Molding Machine
- Test Bench

## Pressure & Pump Capacity

Rate Pressure: 5000 psi

Peak Pressure: 5800 psi

Pump Capacity: 1.00 in<sup>3</sup>/rev, 2.74 in<sup>3</sup>/rev, & 4.39 in<sup>3</sup>/rev

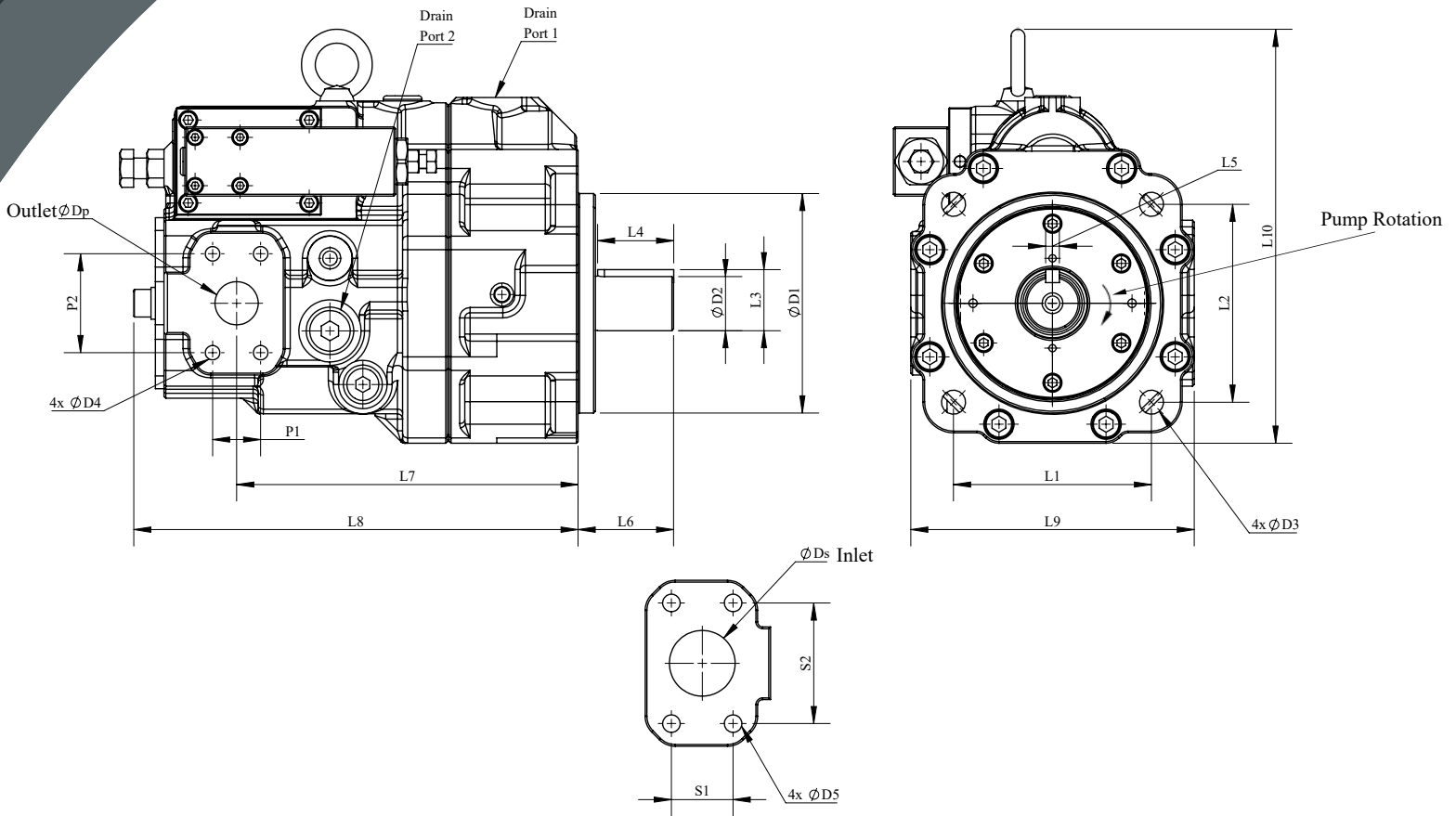
## PZH Specifications

Model No.	Pump Capacity in <sup>3</sup> /rev (cc/rev)	Discharge Volume at No-Load (gpm)	Pressure Range (psi)	Allowable Peak Pressure (psi)	Rotating Speed (rpm)		Port Size	Flange Size	Mass (lbs)
		1800 rpm			Min	Max			
PZH-1B	0.37 - 1.00 (6 - 16.5)	7.8	290 - 5000	5800	500	2000	Inlet: Code 61 1" Outlet: Code 62 3/4"	SAE-B 2 Bolt Flange	35
PZH-2B	1.7 - 2.74 (28 - 45)	21.4			500	2000	Inlet: Code 61 1-1/2" Outlet: Code 62 1"	SAE-C 4 Bolt Flange	68
PZH-3B	2.74 - 4.39 (45 - 72)	34.2			500	2000	Inlet: Code 61 2" Outlet: Code 62 1-1/4"	SAE-D 4 Bolt Flange	95

## Variable Control Mechanism

Model No.	Pump Capacity (in <sup>3</sup> /rev)	Pressure Compensation (Manual)	Solenoid Cutoff Control	Load Sensing	Proportional Valve Control	2-Pressure 2-Flow Rate	Horsepower Limiter
		N	RS	R	EPR	NQ	L
PZH-1B	1.00	○	○	○	○	○	—
PZH-2B	2.74	○	○	○	○	—	○
PZH-3B	4.39	○	○	○	○	—	○
P-Q Characteristics							

○: Standard Model, —: Not Available




	D1		D2		L1		L2		L3		L4		L5		L6		L7		L8	
	mm	in	mm	in	mm	in	mm	in	mm	in	mm	in	mm	in	mm	in	mm	in	mm	in
PZH-1B	101.6	4.00	22.23	0.88	146	5.75	-	-	24.9	0.98	38	1.50	6.3	0.25	60	2.36	170.5	6.71	193.5	7.62
PZH-2B	127	5.00	31.75	1.25	114.5	4.51	114.5	4.51	35.3	1.39	44	1.73	7.94	0.31	55	2.17	194	7.64	256.5	10.10
PZH-3B	152.4	6.00	38.1	1.50	161.6	6.36	161.6	6.36	42.2	1.66	55	2.17	9.53	0.38	90	3.54	225.5	8.88	287	11.30

	L9		L10		P1		P2		Dp		D3	S1		S2		Ds		D4
	mm	in	mm	in	mm	in	mm	in	mm	in		mm	in	mm	in	mm	in	
PZH-1B	110	4.33	162	6.38	23.8	0.94	50.8	2.00	19	0.75	M10	26.2	1.03	52.4	2.06	24	0.94	M10
PZH-2B	164	6.46	239.5	9.43	27.8	1.09	57.2	2.25	25	0.98	M12	35.7	1.41	69.8	2.75	38	1.50	M12
PZH-3B	200	7.87	270.5	10.65	31.8	1.25	66.7	2.63	32	1.26	M12	42.9	1.69	77.8	3.06	48	1.89	M12

**NACHI**  
NACHI AMERICA INC.



 Nachi America Inc.  
715 Pushville Road  
Greenwood, IN 46143