

## Adjustable Handles, Modern Design Style, Zinc, with external thread, components in steel, metric

Item description/product images

### METRIC Parts



lift to  
disengage



### Description

**Material:**

Handle die-cast zinc DIN EN 12844.

Steel parts quality class 5.8.

**Version:**

Handle, powder-coated.

Steel parts black oxide finish.

**Order information:**

Threaded studs with dimension L=70 mm or greater are partially threaded, 60 mm.

**Note:**

Standard colors are:

black satin finish, orange RAL 2004.

**On request:**

Other threads, screw lengths, colors and special versions.

Dimension "H1" available in other lengths at an additional charge.

**Drawing reference:**

1) flat point DIN 78

## K0122 Metric

Adjustable Handles, Modern Design Style, Zinc, with external thread, components in steel, metric

Item description/product images

---

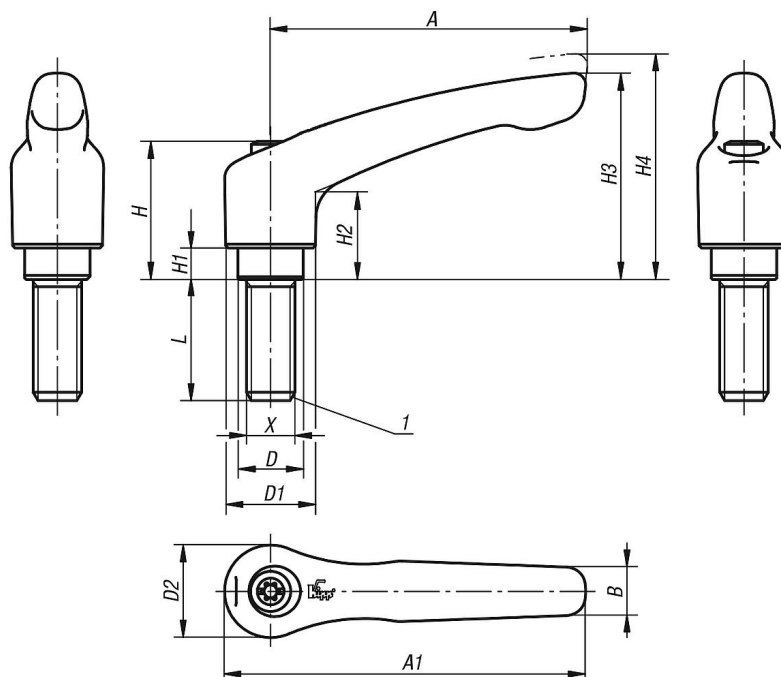


## Adjustable Handles, Modern Design Style, Zinc, with external thread, components in steel, metric

Item description/product images



### Drawings

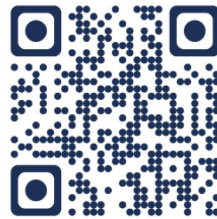


### Adjustable Handles, Modern Design Style, Zinc, with external thread, components in steel, metric

Item No.	X	A	A1	B	D	D1	D2	H	H1	H2	H3	H4	No. of teeth	L
K0122.004ΔX	M4	30	37	7	10	13	14	24,5	4	14,5	30	33	16	10/15/20/25/30/35/40/45/50
K0122.005ΔX	M5	30	37	7	10	13	14	24,5	4	14,5	30	33	16	10/15/20/25/30/35/40/45/50
K0122.105ΔX	M5	40	47	7	10	13	14	24,5	4	14,5	31	34	16	10/15/20/25/30/35/40/45/50
K0122.106ΔX	M6	40	47	7	10	13	14	24,5	4	14,5	31	34	16	10/15/20/25/30/35/40/45/50

## Adjustable Handles, Modern Design Style, Zinc, with external thread, components in steel, metric

Item No.	X	A	A1	B	D	D1	D2	H	H1	H2	H3	H4	No. of teeth	L
K0122.206ΔX	M6	65	74,5	9,5	13,5	18,5	19	28,5	6,5	17,5	42,5	45,5	20	15/20/25/30/35/40/45/50/55/60
K0122.208ΔX	M8	65	74,5	9,5	13,5	18,5	19	28,5	6,5	17,5	42,5	45,5	20	15/20/25/30/35/40/45/50/55/60
K0122.210ΔX	M10	65	74,5	9,5	13,5	18,5	19	28,5	6,5	17,5	42,5	45,5	20	15/20/25/30/35/40/45/50/55/60
K0122.308ΔX	M8	80	91	11	16	21	22	37	10	24	54,5	58,5	22	15/20/25/30/35/40/45/50/55/60
K0122.310ΔX	M10	80	91	11	16	21	22	37	10	24	54,5	58,5	22	15/20/25/30/35/40/45/50/55/60
K0122.410ΔX	M10	95	109	13	19	27	27,5	43	10	27	63	67,5	24	20/25/30/35/40/45/50/55/60/70/80/90
K0122.412ΔX	M12	95	109	13	19	27	27,5	43	10	27	63	67,5	24	20/25/30/35/40/45/50/55/60/70/80/90
K0122.512ΔX	M12	110	126	15	23	31	32	49	12	31,5	73	77,5	26	25/30/35/40/45/50/55/60/70/80/90
K0122.516ΔX	M16	110	126	15	23	31	32	49	12	31,5	73	77,5	26	25/30/35/40/45/50/55/60/70/80/90



[cesehsa.com.mx](http://cesehsa.com.mx)  
[info@cesehsa.com.mx](mailto:info@cesehsa.com.mx)  
 800 237 3472