

# Latches with spring clip Style A

## Item description/product images



### Description

**Material:**

Steel or stainless steel 1.4301 (AISI 304 equivalent).

**Version:**

Steel trivalent blue passivated.

Stainless steel bright.

**Note:**

Latches with spring clips for safe holding and locking of hatches, container lids, machine cladding etc. By exceeding the dead center they resist vibration. The locking force is applied by tensioning a spring clip.

The latches can be screwed down or riveted.

Order catch plates separately.

The retaining force F1 applies to the latch, not the catch plate.

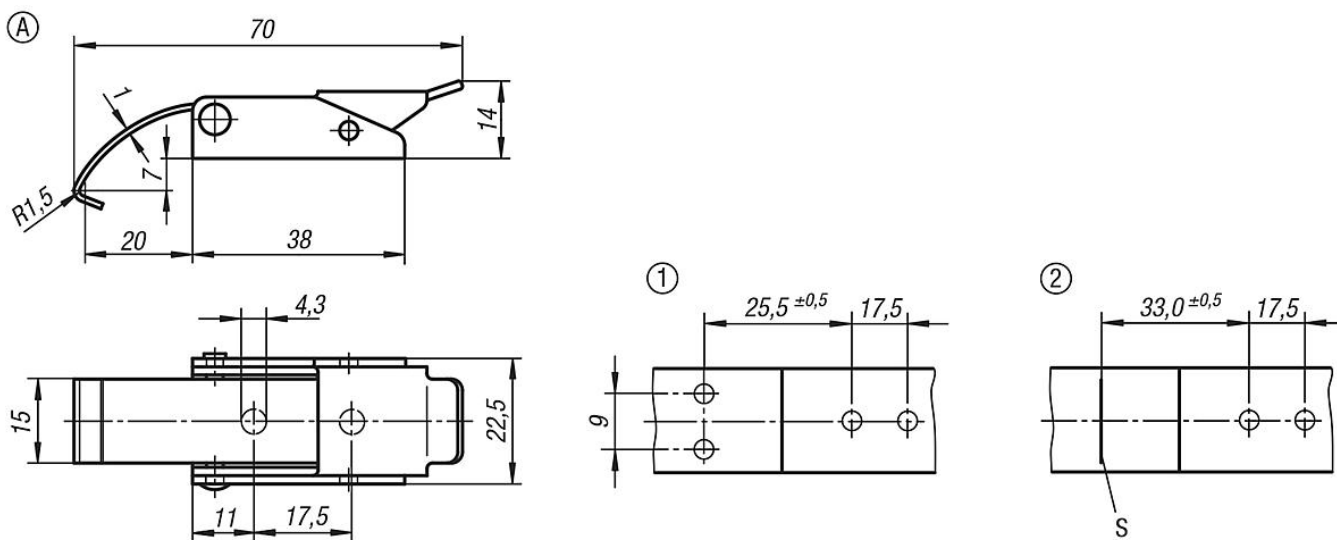
**Drawing reference:**

1) Hole arrangement for mounting with catch plate

2) Hole arrangement for mounting without catch plate

S = contact edge

## Drawings



Item No. steel	Item No. stainless steel	Style	Retaining force F1 N
K0043.1430701	K0043.1430702	A	500



cesehsa.com.mx  
info@cesehsa.com.mx  
800 237 3472